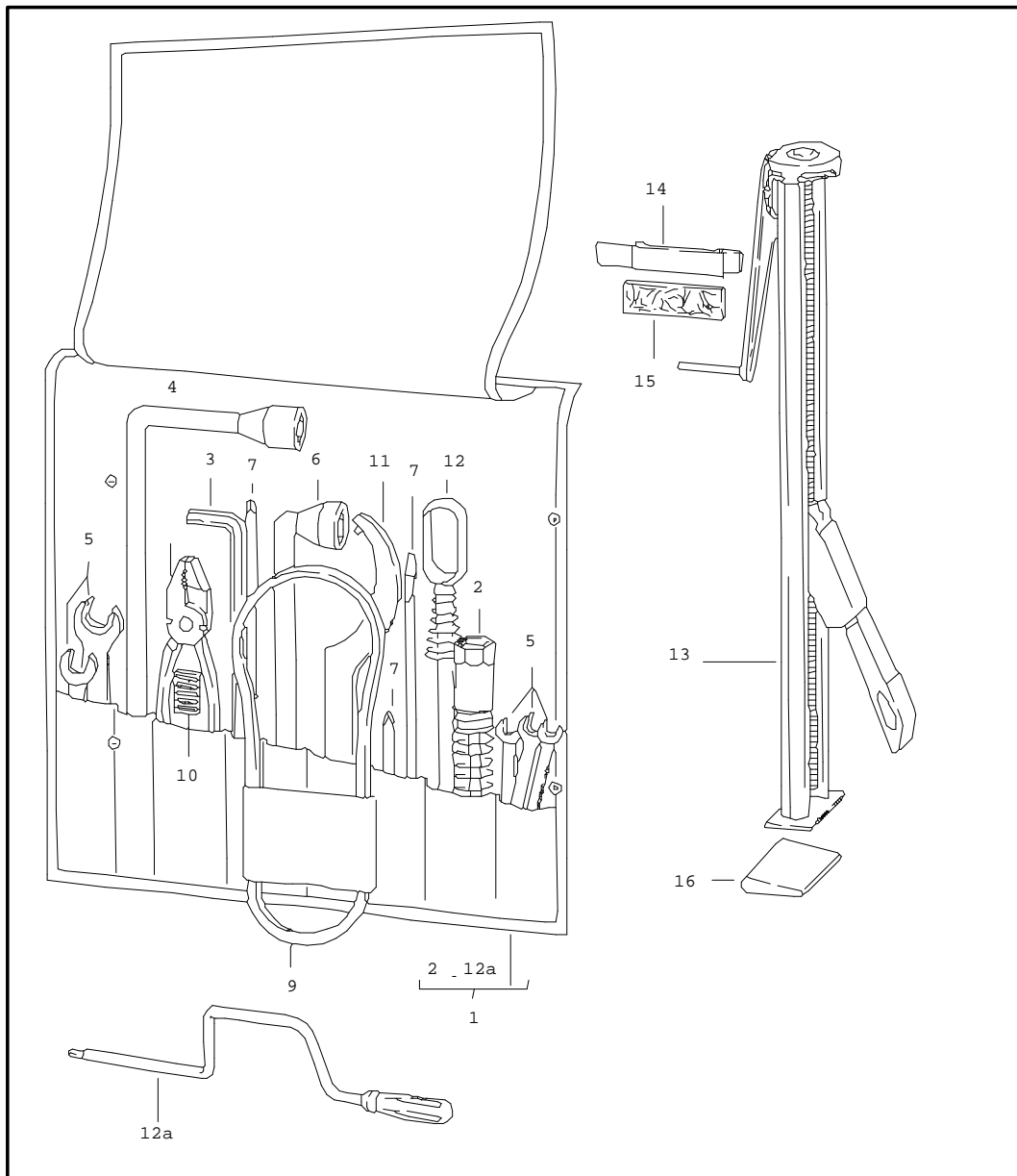


Model	Year	MG	SG	Illustration	Restrictions	Update	8:27	17.08.2004	PORSCHE	PET	PORSCHE
911	89	0	01	1-00		179					

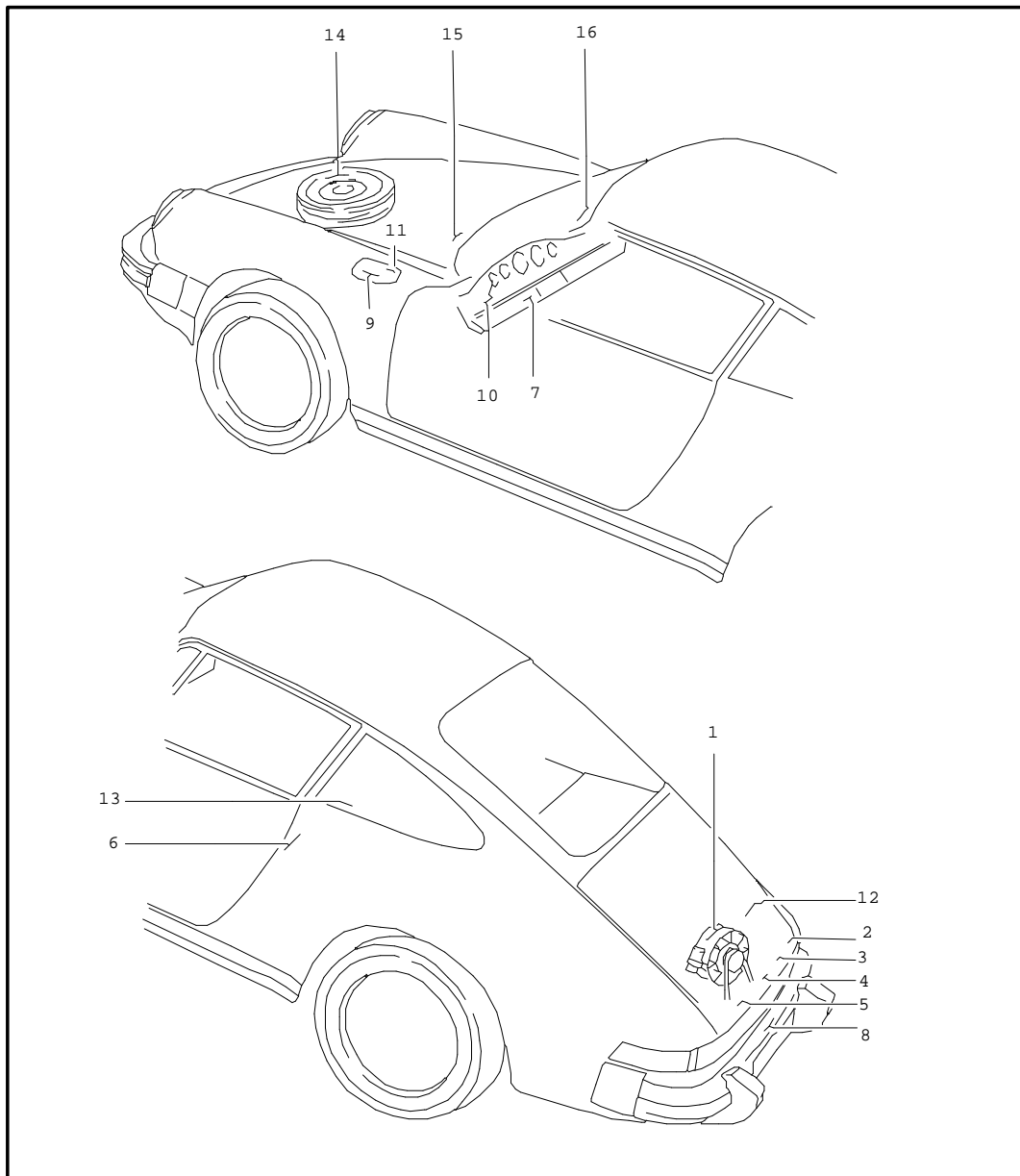


Pos	Part Number	Name	Remarks	Qty	Model
		tool jack			
1	911 721 002 12	tool bag	87	1	
(1)	911 721 002 14	tool bag with contents comprising: tool bag	88-	1	
2	477 012 203 A	spark plug wrench		1	
3	477 012 227	angular screw driver		1	
4	999 571 045 02	rim wrench SW 19		1	
5	999 195 011 02	double-end spanner 8 X 9		1	
5	999 195 012 02	double-end spanner 10 X 11		1	
5	999 195 013 02	double-end spanner 12 X 13		1	
5	999 195 014 02	double-end spanner 14 X 15		1	
5	999 195 015 02	double-end spanner 17 X 19		1	
6	999 571 046 02	key SW 24		1	
7	911 721 107 02	screw driver GR. 1		1	
(7)	911 721 107 02	screw driver set		1	
8	-	universal pliers		1	
9	999 192 176 50	narrow v-belt 9,5 X 10 X 710		1	
10	911 721 013 00	bag with fuse		1	
				5	
11	999 571 047 02	tool for generator		1	

Model	Year	MG	SG	Illustration	Restrictions	Update	8:27	17.08.2004	PORSCHE	PET	PORSCHE
911	89	0	01	1-00		179					

Pos	Part Number	Name	Remarks	Qty	Model	Pos	Part Number	Name	Remarks	Qty	Model
12	996 721 151 00	towing lug	87	1							
12A	928 521 907 02	crank for emergency control front seat	88-	1							
-	911 721 237 00	intermediate piece for emergency control power windows		1							
-	999 571 043 02	double socket wrench 10 X 13		1							
-	911 721 231 00	angular screw driver for pan-head screw 6 MM		1							
-	911 721 235 00	extension rod order also:	88-	1							
-	996 721 151 00	towing lug		1							
13	911 721 011 04	jack		1							
14	911 722 021 01	bracket for jack		1							
15	911 556 208 02	felt strip		1							
16	911 721 131 00	clamping piece		1							
		- - - E N D - - -									

Model	Year	MG	SG	Illustration	Restrictions	Update	8:27	17.08.2004	PORSCHE	PET	PORSCHE
911	89	0	01	1-05		179					

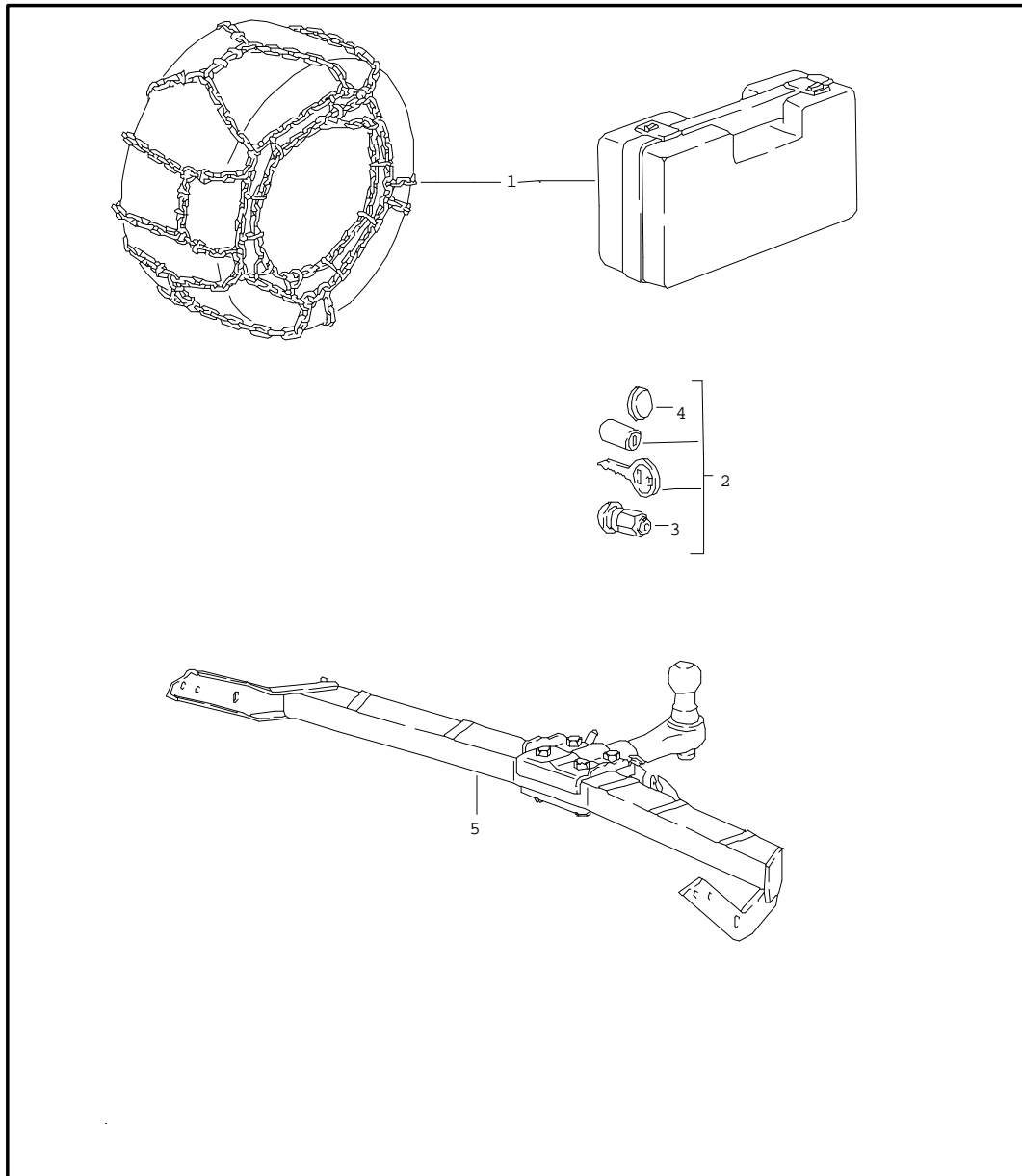


Pos	Part Number	Name	Remarks	Qty	Model
		sticker			
1	930 006 501 02	sticker ignition point		1	TURBO
2	930 006 509 00	sticker firing order		1	TURBO
2	930 006 509 01	sticker firing order		1	CARRERA
3	901 006 503 00	sticker valve clearance		1	
4	930 006 504 02	sticker engine-oil level		1	
5	937 701 127 00	sticker tyre pressure		1	CARRERA
5	911 701 287 03	sticker tyre pressure	89	1	(AUS)
5	911 701 287 07	sticker tyre pressure	89	1	(AUS) M 491
5	930 006 505 01	sticker tyre pressure		1	TURBO CARRERA M 491
8	928 006 901 00	sticker drawbar load		1	
9	911 701 251 00	indication sticker unleaded fuel only white		1	(J)(AUS)
9	911 701 251 01	indication sticker unleaded fuel only black		1	(J)(AUS)
10	944 701 210 02	sticker EUROSUPER unleaded		1	
10	928 701 173 03	sticker unleaded fuel only		1	(B)(L)
10	911 701 253 00	sticker unleaded fuel only		1	(J)(AUS)
11	930 701 203 01	sticker type of fuel 91 ROZ		1	(J)

Model	Year	MG	SG	Illustration	Restrictions	Update	8:27	17.08.2004	PORSCHE	PET	PORSCHE
911	89	0	01	1-05		179					

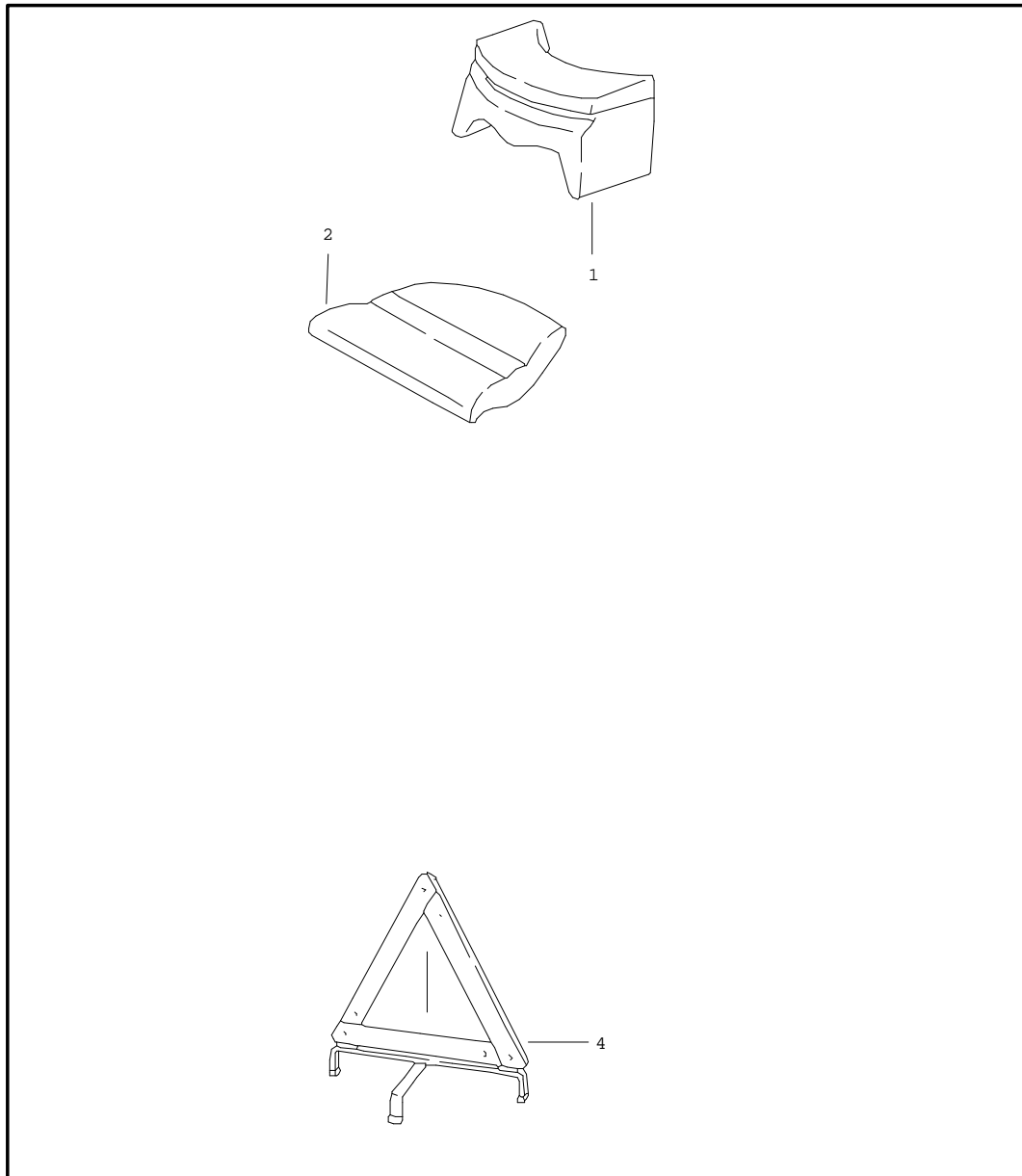
Pos	Part Number	Name	Remarks	Qty	Model	Pos	Part Number	Name	Remarks	Qty	Model
11	928 006 117 04	sticker type of fuel 91 ROZ		1	(AUS)	14	928 701 149 00	sticker for emergency wheel spanish		1	
11	411 000 263 A	sticker type of fuel 98 ROZ		1		16	928 701 102 02	indication sticker sekuriflex german		1	
11	928 006 117 03	sticker type of fuel 95 ROZ		1	M 298	16	928 701 102 03	indication sticker sekuriflex french		1	
12	930 006 119 05	sticker engine specifications	87	1	TURBO (S)	16	928 701 102 04	indication sticker sekuriflex italian		1	
12	930 006 121 05	sticker engine specifications	87	1	CARRERA (CH)	16	928 701 102 05	indication sticker sekuriflex spanish		1	
12	930 006 535 11	sticker adjustment exhaust system	87	1	CARRERA (S)	16	928 701 102 06	indication sticker sekuriflex english		1	
12	930 006 535 14	sticker adjustment exhaust system	88	1	CARRERA (S)			- - - E N D - - -			
12	930 006 513 40	sticker adjustment exhaust system		1	CARRERA (AUS)						
12	930 006 535 15	sticker engine specifications	89	1	CARRERA (S)						
12	930 006 513 45	sticker engine specifications	89	1	CARRERA (AUS)						
13	911 701 250 00	sticker alarm system		2							
14	928 701 145 05	sticker for emergency wheel german		1							
14	996 361 701 00	sticker for emergency wheel english		1							
14	996 361 701 01	sticker for emergency wheel french		1							
14	928 701 148 05	sticker for emergency wheel italian		1							

Model	Year	MG	SG	Illustration	Restrictions	Update	8:27	17.08.2004	PORSCHE	PET	PORSCHE
911	89	0	02	2-00		179					



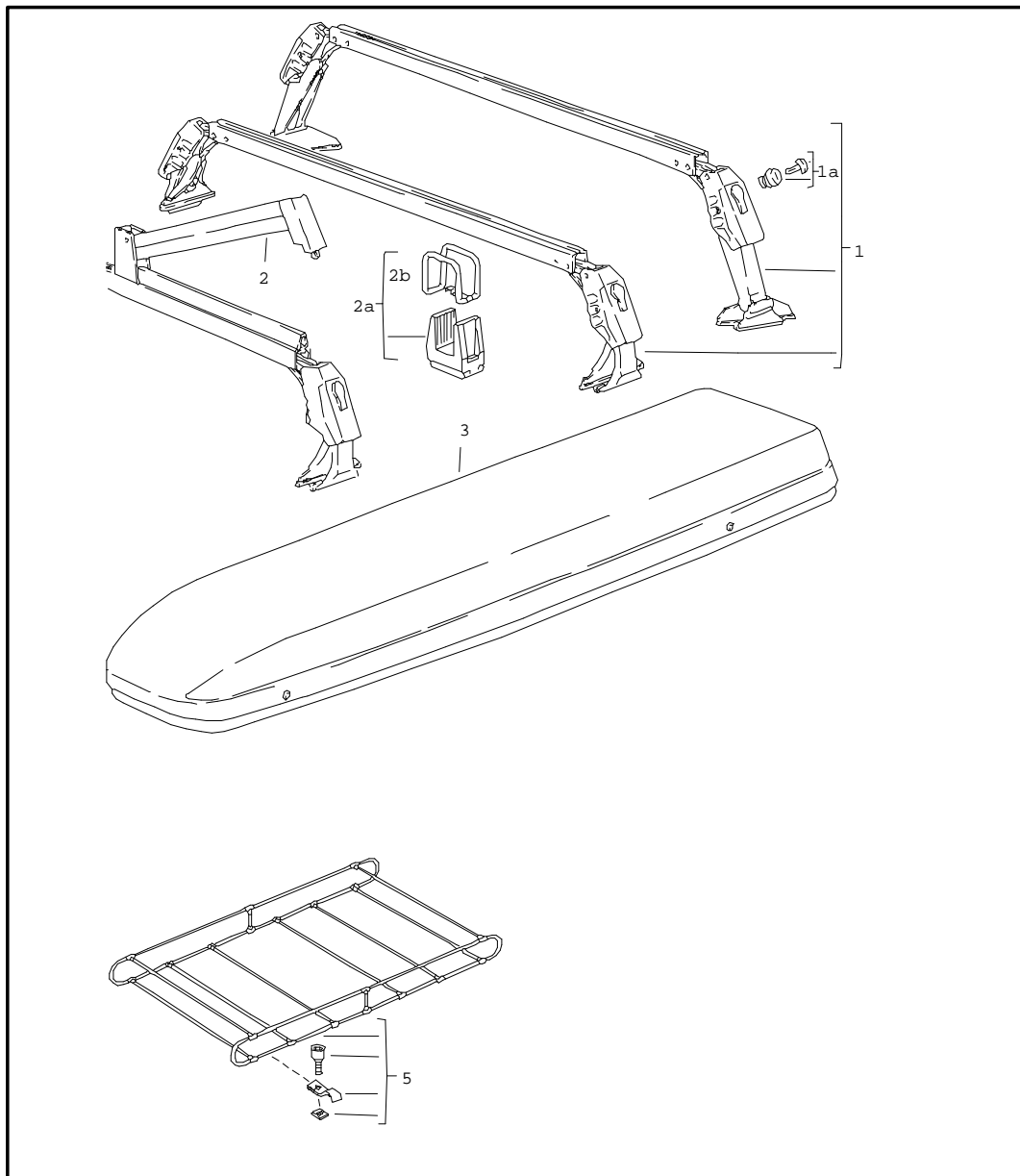
Pos	Part Number	Name	Remarks	Qty	Model
(1)	911 361 909 00	accessories snow chains snow chains set for tyre 185/70 R 15 215/60 R 15 205/55 R 16 225/50 R 16 245/45 R 16		1	
2	928 361 047 03	wheel nut lockable 1 set		1	
3	928 361 306 03	wheel nut lockable		4	
4	965 361 167 00	cap		4	
5	911 722 031 02	trailer coupling trailer coupling complete		1	CARRERA
- - - E N D - - -					

Model	Year	MG	SG	Illustration	Restrictions	Update	8:27	17.08.2004	PORSCHE	PET	PORSCHE
911	89	0	02	2-01		179					



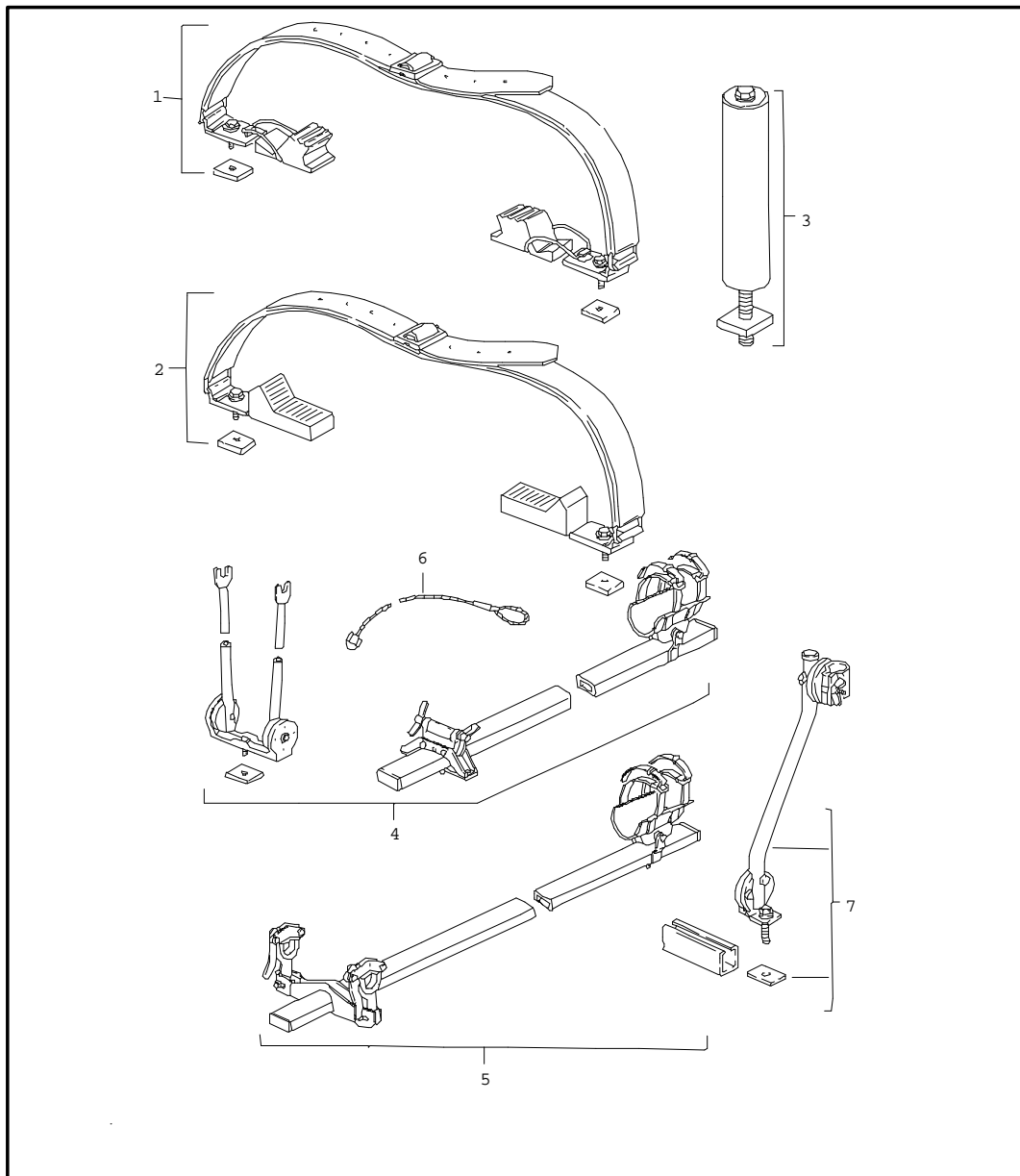
Pos	Part Number	Name	Remarks	Qty	Model
		accessories			
1	928 522 050 00	child car seat older than 4 years only together with child car seat cushion		1	
2	911 522 071 00	child car seat cushion	/L	1	
	4CR	black with porsche lettering			
(2)	911 522 072 00	child car seat cushion	/R	1	
	4CR	black with porsche lettering			
4	911 721 104 01	warning triangle		1	(D)
-	000 043 080 00	floor mat front rubber 1 set		1	
		- - - E N D - - -			

Model	Year	MG	SG	Illustration	Restrictions	Update	8:27	17.08.2004	PORSCHE	PET	PORSCHE
911	89	0	02	2-05		179					



Pos	Part Number	Name	Remarks	Qty	Model
		roof transport system			
1	911 801 055 00	set of main supports		1	COUPE
(1)	911 801 055 60	set of main supports MAX. 35 KG		1	TARGA/CABRIO
1A	928 801 011 02	cylinder lock with keys state lock number		1	
2	928 801 061 02	retaining strip comprising: clamping bow		1	
				4	
2A	928 801 903 02	rubber support for skis		2	
2B	928 801 193 02	retaining strap		2	
3	928 801 063 02	ski box	/L	1	
(3)	928 801 064 02	ski box	/R	1	
5	928 801 081 02	roof rack set		1	
- - - E N D - - -					

Model	Year	MG	SG	Illustration	Restrictions	Update	8:28	17.08.2004	PORSCHE	PET	PORSCHE
911	89	0	02	2-06		179					



Pos	Part Number	Name	Remarks	Qty	Model
		roof transport system			
1	928 801 019 02	set of surf board supports		1	
2	928 801 017 02	set - canoe carrier		1	
3	928 801 085 02	ladder support mandrel set		X	
4	928 801 093 02	set - bike carrier for racing bike		1	
5	928 801 095 02	set - bike carrier for standard bike		1	
6	928 801 079 02	safety rope		1	
7	928 801 097 02	support for bicycle		1	
		- - - E N D - - -			

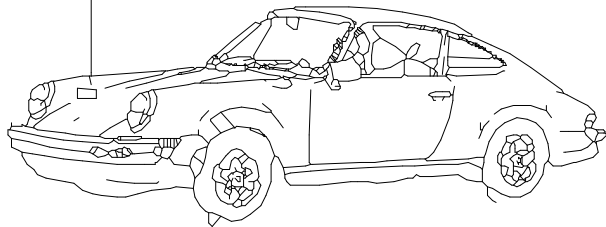
Model	Year	MG	SG	Illustration	Restrictions	Update	8:28	17.08.2004	PORSCHE	PET	PORSCHE
911	89	0	04	4-00		179					

Pos	Part Number	Name	Remarks	Qty	Model
		lacquers basic materials			
-	911 096 050 00	polyester filler 1 KG GLASSIT-NON-FERRO 839-10		X	
-	911 096 051 00	hardener 30 GR GLASSIT 948-36 red		X	
-	911 096 052 00	primer filler 1 LTR GLASSOFIX 238-150		X	
-	911 096 053 00	hardener 500 ML GLASSOFIX 352-228		X	
-	911 096 054 00	primer filler 1 LTR GLASSODUR 285-100 white		X	
-	911 096 055 00	hardener 500 ML GLASSODUR 929-28/1		X	
-	911 096 056 00	wash primer 2 LTR GLASSOFIX 2K 934-200		X	
-	911 096 057 00	hardener 1 LTR GLASSOFIX 934-100		X	
-	911 096 058 00	polyurethane plastic putty 1 KG GLASSODUR 995-20		X	
-	911 096 059 00	hardener 1 KG GLASSODUR 929-13		X	
-	911 096 060 00	thinner 1 LTR GLASSODUR 352-91		X	
-	911 096 062 00	additional lacquer 1 LTR GLASSODUR 521-111		X	

FARBNUMMER
COLOUR NUMBER
NUMERO DE COULEUR
NUMERO COLORE
NUMERO DE COLOR

80K|9 2
GUARDS RED
INDISCHROT
G1

FARB BENENNUNG
COLOUR
COULEUR
COLORE
COLOR



Model	Year	MG	SG	Illustration	Restrictions	Update	8:28	17.08.2004	PORSCHE	PET	PORSCHE
911	89	0	04	4-00		179					

Pos	Part Number	Name	Remarks	Qty	Model	Pos	Part Number	Name	Remarks	Qty	Model
-	911 096 063 00	underbody protection 1 KG GLASSOHYD 1109-		X		-	911 096 064 00	clear lacquer 1LTR GLASSODUR-MS 923-85		X	
-	000 043 001 00	tin SN 90% 200 GR		X		-	911 095 902 60	top-coat paint 2 K 1 LTR		X	
-	911 095 903 80	synthetic resin prime coat metallic 1 LTR		X			548	apricot beige			
	80D	cassis red metallic					80F	carmine red			
	697	diamond-blue metallic					347	dark blue			
	36N	diamond-blue metallic					908	grand prix white			
	40L	cognac brown metallic					499	caramel beige			
	40D	espresso brown metallic					60M	linen			
	699	granite green metallic					10W	summer yellow			
	35Y	lagoon green metallic					22C	murano green			
	21Z	lagoon green metallic					700	black			
	81K	coral metallic					80K	guards red			
	550	linen grey metallic				-	911 095 932 20	paint touch-up applicator		X	
	35V	marine blue metallic					548	apricot beige			
	980	silver metallic					80F	carmine red			
	36P	venetian blue metallic					347	dark blue			
	81L	velvet red metallic					908	grand prix white			
	22D	slate grey metallic					499	caramel beige			
	693	stone grey metallic					10W	summer yellow			
	947	pearlescent effect					60M	linen			
	22E	forest green metallic					22C	murano green			
	37B	baltic blue metallic					700	black			
	34S	DUNKELBLAU-METALLIC					80K	guards red			
							21M	turquoise			

Model	Year	MG	SG	Illustration	Restrictions	Update	8:28	17.08.2004	PORSCHE	PET	PORSCHE
911	89	0	04	4-00		179					

Pos	Part Number	Name	Remarks	Qty	Model	Pos	Part Number	Name	Remarks	Qty	Model
-	911 095 933 20	paint touch-up applicator set comprising: primer clear lacquer		X							
	80D	cassis red metallic									
	40L	cognac brown metallic									
	697	diamond-blue metallic									
	36N	diamond-blue metallic									
	40D	espresso brown metallic									
	699	granite green metallic									
	81K	coral metallic									
	35Y	lagoon green metallic									
	21Z	lagoon green metallic									
	35V	marine blue metallic									
	980	silver metallic									
	550	linen grey metallic									
	36P	venetian blue metallic									
	81L	velvet red metallic									
	22D	slate grey metallic									
	693	stone grey metallic									
	22E	forest green metallic									
	37B	baltic blue metallic									
		- - - E N D - - -									

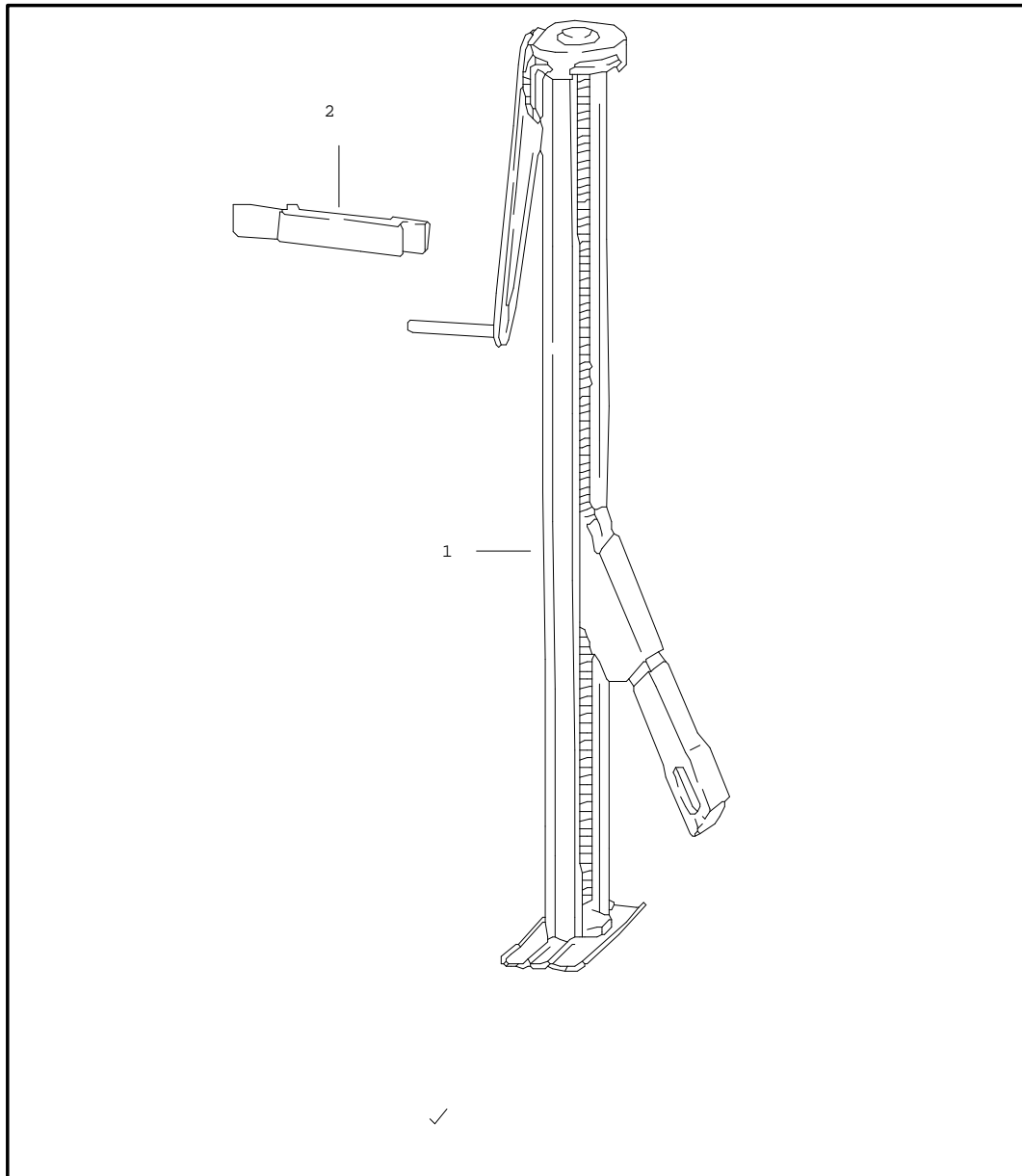
Model	Year	MG	SG	Illustration	Restrictions	Update	8:28	17.08.2004
911	89	0	05	5-00		179		

Pos	Part Number	Name	Remarks	Qty	Model
-	928 101 921 00	securing liquid sealing compound preservative agent securing liquid loctite -270- 10 CCM high strength		X	
-	000 043 205 13	sealing compound SILASTIK 732 RTV 90 ML		X	
-	000 043 010 00	loctite -574- 50 CCM		X	
-	000 043 051 00	loctite adhesive set for pasting metal glass ceramics thermoset plastic comprising:		X	
-	000 043 202 65	loctite AKTIVATOR NF 736 180 CCM		X	
-	000 043 004 00	mounting paste optimoly ht 1 90-g tube		X	
-	000 043 005 00	grease for drive shaft OPTIMOL - OLISTAMOLY 1 90-g tube		X	
-	000 043 204 21	grease for lock cylinder spraying can preservative agent		X	
-	999 571 062 00	care kit comprising: suitcase		1	
-	999 901 013 40	liquid preservative		1	
-	999 901 014 41	cleaning agents		1	

Model	Year	MG	SG	Illustration	Restrictions	Update	8:28	17.08.2004
911	89	0	05	5-00		179		

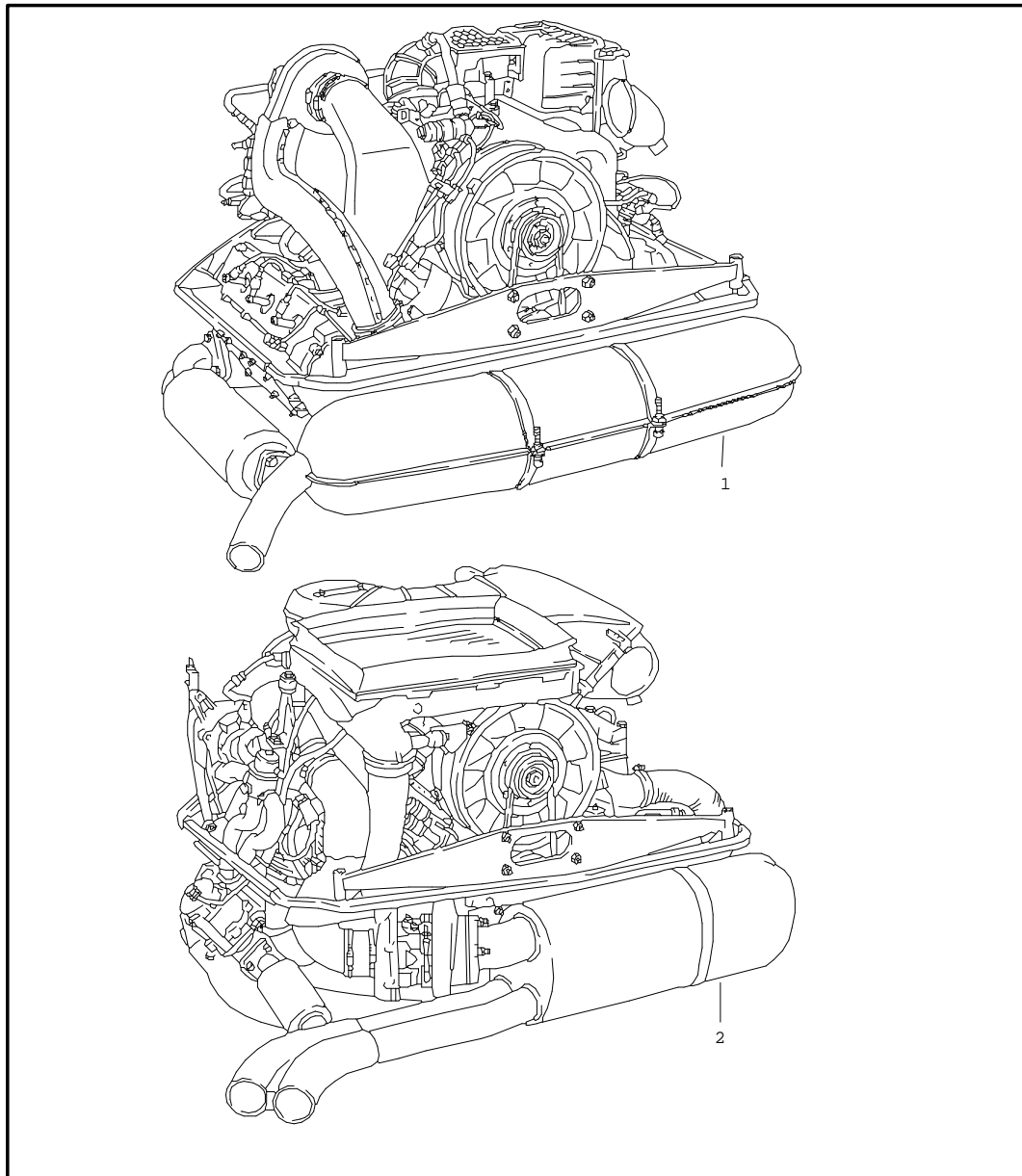
Pos	Part Number	Name	Remarks	Qty	Model
-	999 901 015 40	polisher		1	
-	999 901 016 40	tar remover		1	
-	999 901 017 40	dashboard cleaner		1	
-	999 901 018 40	paint polish		1	
-	999 901 019 41	insect remover		1	
-	999 901 020 40	spot remover		1	
-	999 901 021 40	polishing cotton		1	
-	999 901 022 40	polishing cloth		1	
-	000 044 000 02	preservative agent 250 ML		X	
-	999 901 017 41	window cleaner summer 250 ML		X	
-	999 901 033 40	window cleaner winter 1000 ML		X	
-	999 901 036 40	car shampoo refilling bottle 1000 ML		X	
-	999 917 803 00	window cleaner spray bottle 250 ML		X	
-	928 628 931 00	silicone remover 1000 ML		X	
-	999 901 030 40	rim cleaner spray bottle 500 ML		X	
-	999 901 031 40	rim cleaner refilling bottle 1000 ML		X	
		- - - E N D - - -			

Model	Year	MG	SG	Illustration	Restrictions	Update	8:28	17.08.2004	PORSCHE	PET	PORSCHE
911	89	0	80	80-00		179					



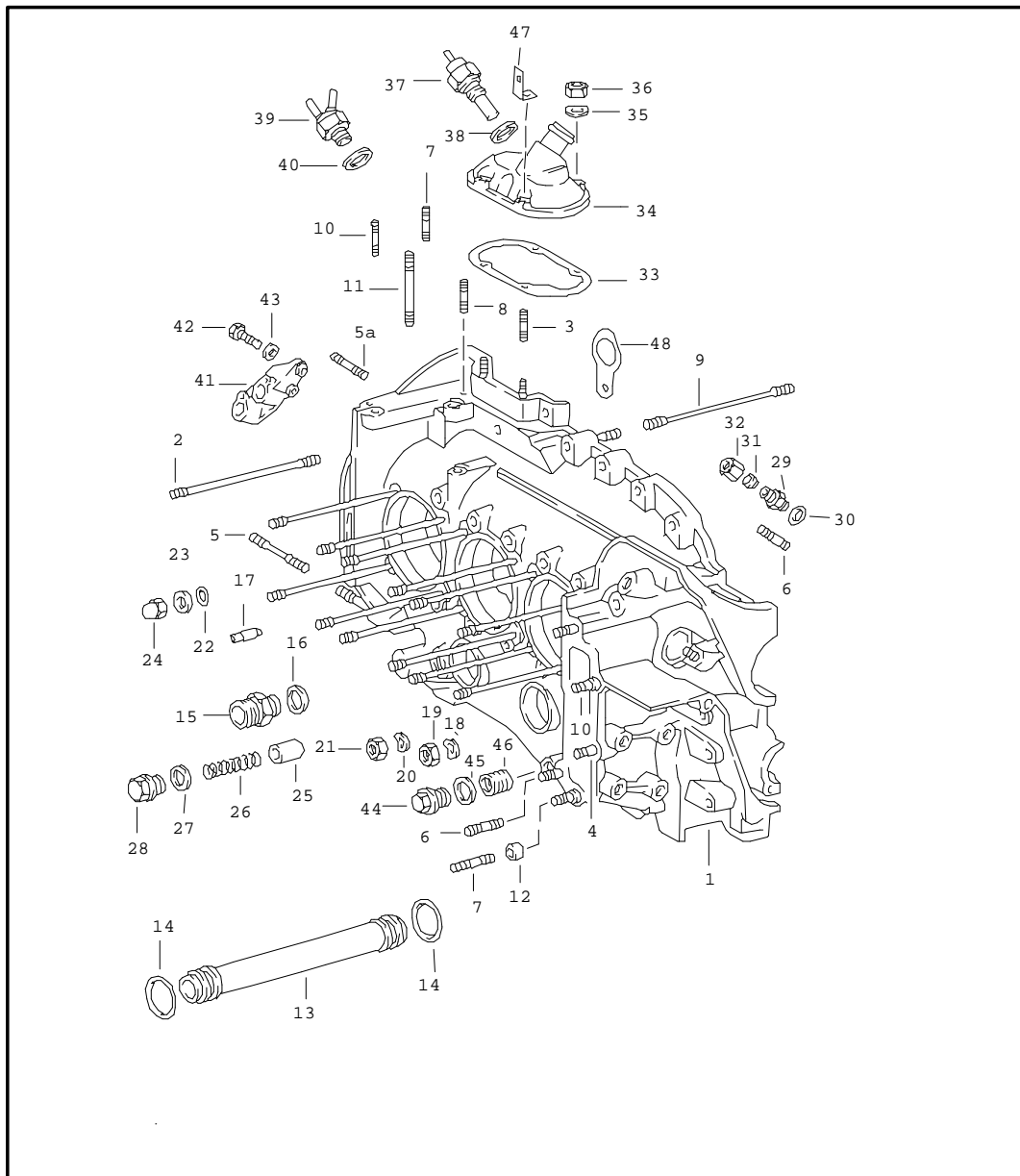
Pos	Part Number	Name	Remarks	Qty	Model
		special model special series-slant nose jack accessories	88-		TURBO M506
1	911 721 911 00	jack		1	
2	911 722 021 01	bracket		1	
- - - E N D - - -					

Model	Year	MG	SG	Illustration	Restrictions	Update	8:28	17.08.2004	PORSCHE	PET	PORSCHE
911	89	1	01	101-00		179					



Pos	Part Number	Name	Remarks	Qty	Model
		replacement engine ready for installation			
1	> 930 100 220 00	engine		1	930.20 COUPE/TARGA
1	> 930 100 220 01	engine		1	930.20 CABRIO
1	> 930 100 225 00	engine		1	930.25 COUPE/TARGA
1	> 930 100 225 01	engine		1	930.25 CABRIO
1	930 100 225 02	engine		1	930.25 (J) COUPE/TARGA
1	930 100 225 03	engine		1	930.25 (J) CABRIO
1	> 930 100 225 04	engine		1	930.25 (CH) (AUS) COUPE/TARGA
1	> 930 100 225 05	engine		1	930.25 (CH) (AUS) CABRIO
1	930 100 226 00	engine	-88	1	930.26 (S) COUPE/TARGA
1	930 100 226 01	engine	-88	1	930.26 (S) CABRIO
2	A 930 100 266 04	engine	-87	1	930.66 COUPE
2	A 930 100 266 04	engine	88	1	930.66 COUPE / TARG
2	930 100 266 04	engine	-88	1	930.66 COUPE / TARG
2	A 930 100 266 03	engine	-87	1	930.66 CABRIO
2	930 100 266 03	engine	-88	1	930.66 CABRIO
- - - E N D - - -					

Model	Year	MG	SG	Illustration	Restrictions	Update	8:28	17.08.2004	PORSCHE	PET	PORSCHE
911	89	1	01	101-05		179					

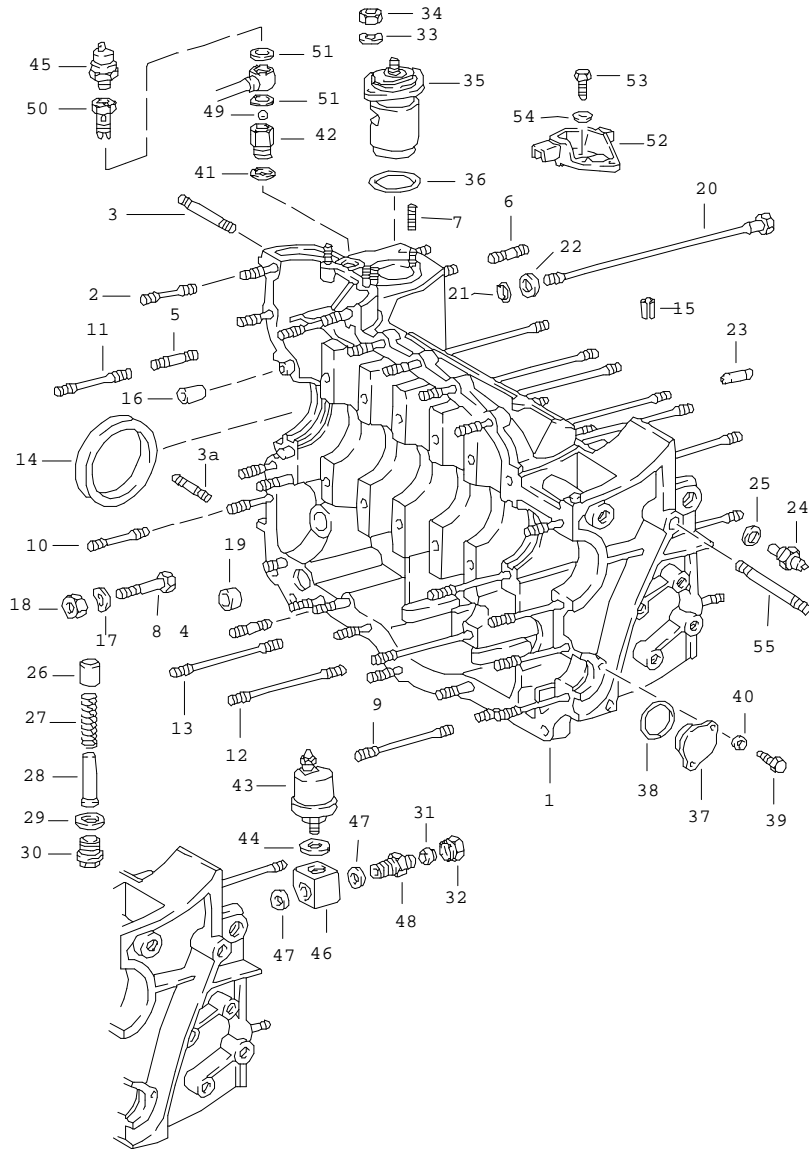


Pos	Part Number	Name	Remarks	Qty	Model
1	930 101 917 00	crankcase left		1	930.20/25/26
1	930 101 918 00	crankcase with studs		1	930.66/68
2	911 101 172 00	stud upper		12	930.20/25/26
2	993 101 170 51	stud - dilavar - lower		12	930.20/25/26
2	993 101 170 51	stud - dilavar -		24	930.66/68
3	999 062 085 02	stud M 6 X 20		4	
4	999 062 006 02	stud M 8 X 20		2	
5	999 062 099 02	stud M 10 X 105		1	930.20/25/26
5	999 062 192 02	stud M 10 X 102		1	930.66/68
5A	999 062 099 02	stud M 10 X 105		1	
6	999 062 007 02	stud M 8 X 22		5	
7	999 062 009 02	stud M 8 X 28		3	
8	999 062 055 02	stud M 6 X 12		1	
9	930 101 174 01	stud		2	
10	999 062 008 02	stud M 8 X 25		3	
11	999 062 147 02	stud M 8 X 62		1	
12	901 101 145 00	dowel sleeve		2	
13	901 107 351 01	oil tube		4	

Model	Year	MG	SG	Illustration	Restrictions	Update	8:28	17.08.2004	PORSCHE	PET	PORSCHE
911	89	1	01	101-05		179					

Pos	Part Number	Name	Remarks	Qty	Model	Pos	Part Number	Name	Remarks	Qty	Model
(13)	930 107 040 01	repair kit oil tube divided		1		31	N 020 825 1	cutting ring LL 8		1	
14	* 999 707 112 40	round seal		8		32	900 104 003 02	union nut A LL 8		1	
15	999 136 008 09	connection piece		1		33	* 930 107 791 02	gasket		1	
16	* 900 123 011 30	sealing ring A 22 X 27		1		34	930 107 073 00	cover		1	
17	911 101 011 01	splash valve		6	930.20/25/26	35	N 012 226 5	spring washer B 6		4	
17	911 101 011 51	splash valve oversize		6	930.20/25/26	36	900 076 010 02	hexagon nut M 6		4	
17	930 101 015 00	splash valve		6	930.66/68	37	930 606 118 00	temperature switch		1	930.20/25/26
17	930 101 015 50	splash valve oversize		6	930.66/68	38	900 123 007 30	sealing ring A 14 X 18		1	930.20/25/26
18	* 900 031 014 30	washer 8,4		24		39	930 110 401 01	thermo valve		1	930.66/68
19	900 910 022 02	lock nut M 8		24		40	900 123 007 30	sealing ring A 14 X 18		1	930.66/68
20	N 012 242 3	spring washer B 10 X 18		1		41	930 101 089 01	support for pulse sender		1	930.20/25/26
21	900 076 052 02	hexagon nut M 10 X 1		1		42	N 010 217 9	hexagon-head bolt M 6 X 20		2	930.20/25/26
22	* 999 701 006 40	o-ring		12		43	N 011 524 7	washer A 6,4		2	930.20/25/26
23	901 101 161 01	washer		12		44	944 107 197 01	screw plug		1	
24	930 101 172 01	cap nut		13		45	900 123 118 30	sealing ring A 22 X 27		1	
25	911 107 512 00	piston		1		46	999 504 127 00	threaded insert M 20 X 1,5		1	
26	901 107 531 00	compression spring		1		48	901 101 151 00	clip		1	
27	900 123 106 30	sealing ring A 18 X 24		1							
28	999 064 026 02	screw plug		1							
29	901 107 375 00	screw socket		1							
30	* 900 123 101 30	sealing ring A 12 X 18		1							
									- - - E N D - - -		

Model	Year	MG	SG	Illustration	Restrictions	Update	8:29	17.08.2004	PORSCHE	PET	PORSCHE
911	89	1	01	101-10		179					



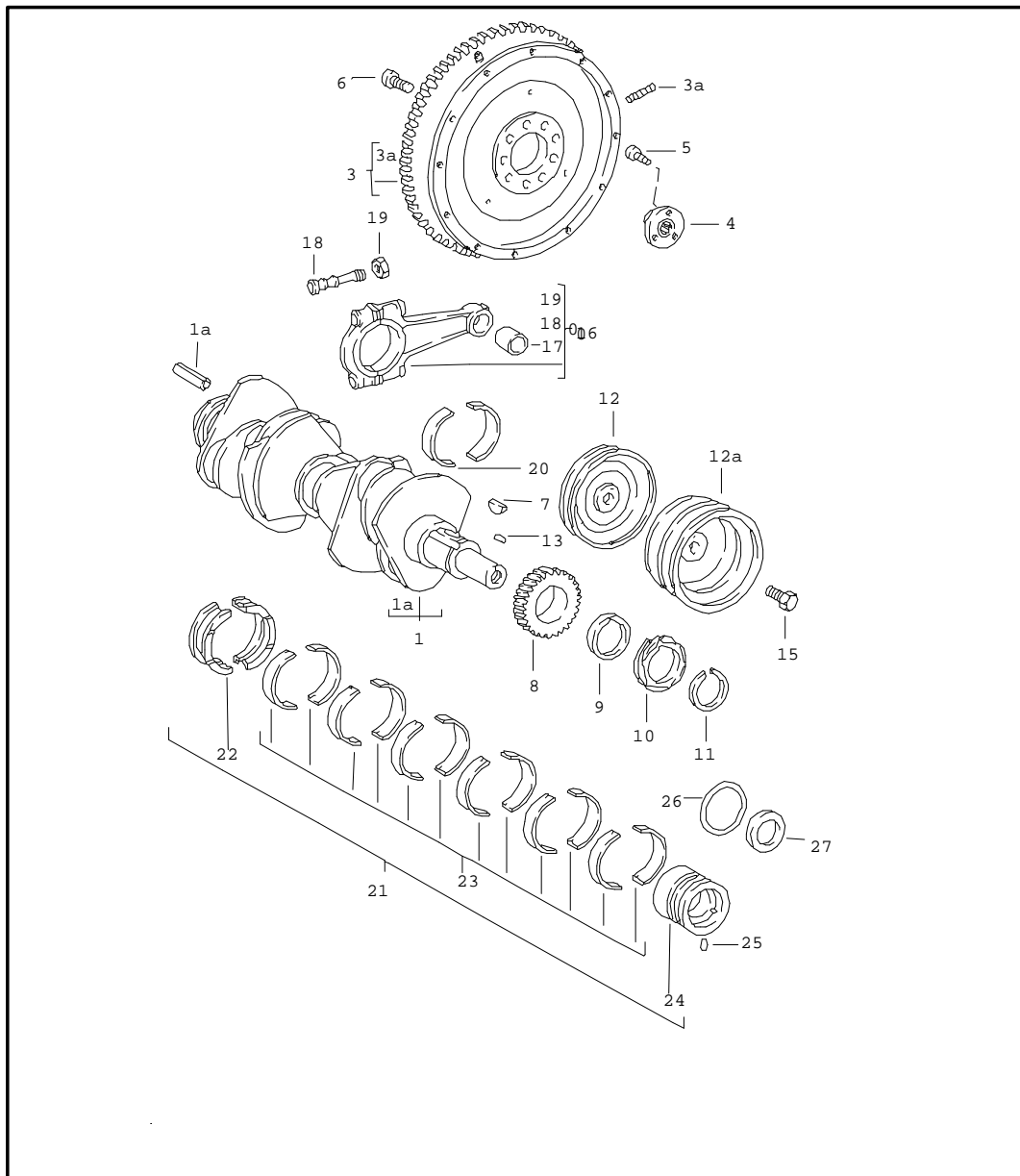
Pos	Part Number	Name	Remarks	Qty	Model
1	930 101 917 00	crankcase right		1	930.20/25/26
1	930 101 918 00	crankcase with studs		1	930.66/68
2	999 062 115 02	stud M 8 X 32		15	
3	999 062 225 02	stud M 10 X 142		1	930.20/25/26
3	999 062 225 02	stud M 10 X 140		1	930.66/68
3A	999 062 099 02	stud M 10 X 105		1	
4	999 062 006 02	stud M 8 X 20		3	
5	999 062 009 02	stud M 8 X 28		1	
6	999 062 073 02	stud M 8 X 16		4	
7	999 062 055 02	stud M 6 X 12		3	
8	900 074 139 02	hexagon-head bolt M 8 X 55		1	
9	N 014 432 4	stud M 8 X 78		3	
10	999 062 075 02	stud M 8 X 48		2	
11	999 062 138 02	stud M 8 X 52		1	
12	999 062 051 02	stud M 8 X 108		1	
13	930 101 175 00	stud		1	
14	* 999 113 264 40	radial sealing ring 90 X 110 X 12		1	

Model	Year	MG	SG	Illustration	Restrictions	Update	8:29	17.08.2004	PORSCHE	PET	PORSCHE
911	89	1	01	101-10		179					

Pos	Part Number	Name	Remarks	Qty	Model	Pos	Part Number	Name	Remarks	Qty	Model
15	900 095 025 01	roll pin 8 X 16		1		36	* 999 701 053 40	o-ring 39,2 X 3		1	
16	901 101 195 00	dowel sleeve		2		37	930 105 165 00	cover		1	
17	* 900 031 014 30	washer 8,4		1		38	* 999 701 658 40	round seal 33,3 X 2,4		1	
18	900 910 022 02	lock nut M 8		1		39	900 075 057 02	hexagon-head bolt M 6 X 16		2	
19	* 999 704 172 50	sealing ring		1		40	* N 011 524 7	washer 6,4		2	
20	930 101 173 02	screw		11		41	* N 013 832 5	sealing ring A 18 X 22		1	
21	* 999 701 006 40	o-ring		12		42	901 101 175 01	adapter		1	930.20/25/26
22	901 101 161 01	washer		12		42	930 107 705 00	reducing socket		1	930.66/68
23	911 101 011 01	splash valve		3	930.20/25/26	43	911 606 135 00	pressure transmitter		1	
23	930 101 015 00	splash valve		3	930.66/68	44	* 900 123 009 20	sealing ring		1	
24	911 606 112 00	remote temperature sensor		1		45	911 606 230 00	oil pressure switch		1	
25	900 123 008 30	sealing ring A 14 X 20		1		46	911 107 704 00	connection piece		1	
26	911 107 512 00	piston		1		47	* 900 123 101 30	sealing ring A 12 X 18		2	
27	930 107 531 01	compression spring		1		48	911 107 709 01	screw socket		1	
28	930 107 533 00	guide sleeve		1		49	900 108 022 00	ball \$ 9 MM		1	930.66/68
29	900 123 106 30	sealing ring A 18 X 24		1		50	930 107 706 00	banjo bolt		1	930.66/68
30	999 064 026 02	screw plug		1		51	900 123 007 30	sealing ring A 14 X 18		2	930.66/68
31	N 020 825 1	cutting ring LL 8		1		52	930 101 191 02	support		1	
32	900 104 003 02	union nut A LL 8		1		53	N 010 217 9	hexagon-head bolt M 6 X 20		2	930.20/25/26
33	N 012 226 5	spring washer B 6		2		54	N 011 524 7	washer A 6,4		2	930.20/25/26
34	900 076 010 02	hexagon nut M 6		2		55	999 061 056 02	stud M 10 X 15		1	
35	930 107 765 00	oil thermostat		1							

- - - E N D - - -

Model	Year	MG	SG	Illustration	Restrictions	Update	8:29	17.08.2004	PORSCHE	PET	PORSCHE
911	89	1	02	102-00		179					



Pos	Part Number	Name	Remarks	Qty	Model
		crankshaft			
1 >	930 102 014 09	crankshaft		1	930.20/25/26
1 >	930 102 014 10	crankshaft		1	930.66/68
1A	900 095 031 00	tensioning sleeve 6 X 16		1	930.20/25/26
3 >	930 102 033 03	flywheel		1	930.20/25/26
(3) >	930 102 213 00	flywheel	-88	1	930.66/68
(3)	930 102 239 02	flywheel	89-	1	930.66/68
3A	930 102 349 00	threaded pin	89-	1	930.20/25/26 930.66/68
4	930 102 042 00	bush	-88	1	930.66/68
(4)	931 102 111 00	deep-groove ball bearing	89-	1	930.20/25/26 930.66/68
5	900 067 008 02	pan-head screw M 6 X 12		3	
6	930 102 206 00	pan-head screw		9	
7	901 102 147 00	woodruff key		1	
8	901 102 111 00	timing gear number 0		1	
8	901 102 111 10	timing gear number 1		1	
9	901 102 145 00	intermediate ring		1	
10	930 102 112 00	drive wheel		1	930.20/25/26
10	930 102 115 01	drive wheel		1	930.66/68
11	901 102 148 00	circlip number 0		1	
11	901 102 148 01	circlip number 1		1	
11	901 102 148 02	circlip number 2		1	
11	901 102 148 03	circlip number 3		1	

Model	Year	MG	SG	Illustration	Restrictions	Update	8:29	17.08.2004	PORSCHE	PET	PORSCHE
911	89	1	02	102-00		179					

Pos	Part Number	Name	Remarks	Qty	Model	Pos	Part Number	Name	Remarks	Qty	Model
12	930 102 028 08	pulley		1	930.20/25/26	>>>	930 103 975 00	1 set connecting rods comprising: connecting rods		1	
12	930 102 126 02	pulley		1	930.66					6	
12A	930 102 024 03	pulley		1	930.20/25/26 M 559 930.66-S M 148	17	930 103 134 01	connecting rod bush		6	
12A	930 102 024 02	pulley		1	M30.66 M 559/M 573	18	964 103 176 00	connecting rod bolt		12	
13	N 101 090 01	straight pin 5 M 6 X 14		1		19	930 103 174 00	connecting rod nut		12	
15	999 093 005 02	hexagon-head bolt M12 X 1,5 X 22		1		20	930 103 147 15	connecting-rod bearing		12	
16	964 103 020 53	connecting rod weight group: 3= 615 - 624 G		6		20	930 103 147 50	connecting-rod bearing oversize 0,25 MM		12	
16	964 103 020 54	connecting rod weight group: 4= 624 - 633 G		6		20	930 103 147 60	connecting-rod bearing oversize 0,50 MM		12	
16	964 103 020 65	connecting rod weight group: 5= 633 - 642 G		6		21	964 101 901 00	set of crankshaft bearings		1	
16	964 103 020 66	connecting rod weight group: 6= 642 - 651 G		6		21	964 101 901 51	set of crankshaft bearings oversize inner 0,25 MM		1	
16	964 103 020 67	connecting rod weight group: 7= 651 - 660 G		6		21	964 101 901 56	set of crankshaft bearings oversize inner 0,50 MM		1	
16	964 103 020 68	connecting rod weight group: 8= 660 - 669 G		6		21	964 101 901 61	set of crankshaft bearings oversize outer 0,25 MM		1	
16	964 103 020 59	connecting rod weight group: 9= 669 - 678 G		6		21	964 101 901 71	set of crankshaft bearings oversize inner 0,25 MM oversize outer 0,25 MM		1	
16	964 103 020 60	connecting rod weight group: 10= 678 - 687 G		6		21	964 101 901 76	set of crankshaft bearings oversize inner 0,50 MM oversize outer 0,25 MM		1	
16	964 103 020 61	connecting rod weight group: 11= 687 - 696 G		6							

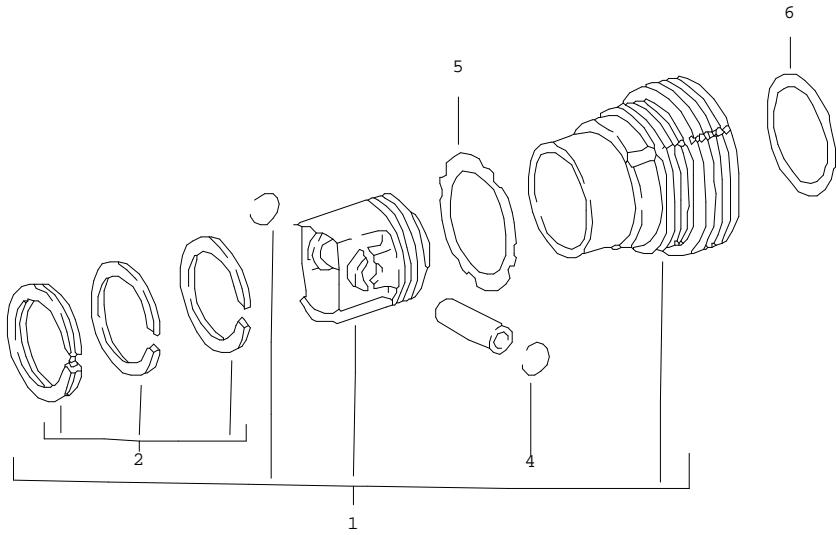
Model	Year	MG	SG	Illustration	Restrictions	Update	8:29	17.08.2004	PORSCHE	PET	PORSCHE
911	89	1	02	102-00		179					

Pos	Part Number	Name	Remarks	Qty	Model	Pos	Part Number	Name	Remarks	Qty	Model
22	930 101 131 15	bearing shell I		2		23	930 101 132 61	bearing shell II-VII oversize outer 0,25 MM		12	
22	930 101 131 51	bearing shell I oversize inner 0,25 MM		2		23	930 101 132 71	bearing shell II-VII oversize inner 0,25 MM outer 0,25 MM		12	
22	930 101 131 56	bearing shell I oversize inner 0,50 MM		2		23	930 101 132 76	bearing shell II-VII oversize inner 0,50 MM outer 0,25 MM		12	
22	930 101 131 61	bearing shell I oversize outer 0,25 MM		2		24	964 101 138 01	bearing sleeve VIII		1	
22	930 101 131 71	bearing shell I oversize inner 0,25 MM outer 0,25 MM		2		24	964 101 138 54	bearing sleeve VIII oversize inner 0,25 MM		1	
22	930 101 131 76	bearing shell I oversize inner 0,50 MM outer 0,25 MM		2		24	964 101 138 55	bearing sleeve VIII oversize inner 0,50 MM		1	
23	930 101 132 15	bearing shell II-VII		12		24	964 101 138 65	bearing sleeve VIII oversize outer 0,25 MM		1	
23	930 101 132 51	bearing shell II-VII oversize inner 0,25 MM		12		24	964 101 138 66	bearing sleeve VIII oversize inner 0,25 MM outer 0,25 MM		1	
23	930 101 132 56	bearing shell II-VII oversize inner 0,50 MM		12							

Model	Year	MG	SG	Illustration	Restrictions	Update	8:29	17.08.2004	PORSCHE	PET	PORSCHE
911	89	1	02	102-00		179					

Pos	Part Number	Name	Remarks	Qty	Model	Pos	Part Number	Name	Remarks	Qty	Model
24	964 101 138 67	bearing sleeve VIII oversize inner 0,50 MM outer 0,25 MM		1							
25	900 012 061 00	straight pin 5 H 8 X 10		1							
26	* 999 707 285 40	o-ring 51 X 4,5		1							
27	* 999 113 290 41	sealing ring 30 X 50 X 10		1							
		- - - E N D - - -									

Model	Year	MG	SG	Illustration	Restrictions	Update	8:29	17.08.2004	PORSCHE	PET	PORSCHE
911	89	1	02	102-05		179					

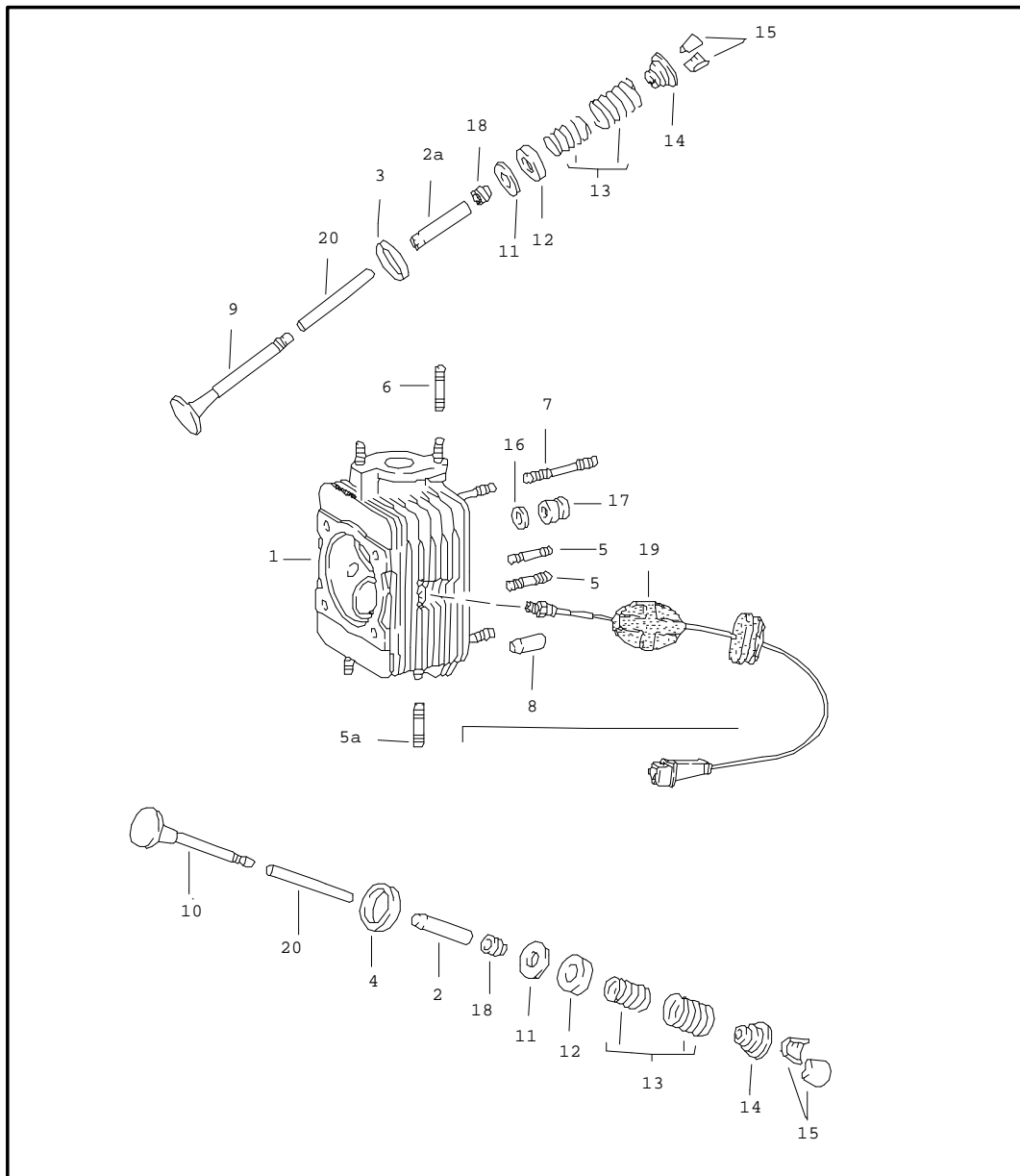


Pos	Part Number	Name	Remarks	Qty	Model
		cylinder with pistons group 5 - mahle -			
1	930 103 989 01	cylinder with pistons number plate -- / - 618-626 G		6	930.20/26
1	930 103 990 01	cylinder with pistons number plate -- / - 613-621 G		6	930.25
1	930 103 989 02	cylinder with pistons number plate + / ++ 626-634 G		6	930.20/26
1	930 103 990 02	cylinder with pistons number plate + / ++ 621-629 G		6	930.25
1	930 103 969 03	cylinder with pistons number plate -- / - 616-624 G		6	930.66/68
1	930 103 969 04	cylinder with pistons number plate + / ++ 624-632 G		6	930.66/68
		group 5 - ks -			
1	930 103 991 01	cylinder with pistons number plate -- / - 650-658G		6	930.25
1	930 103 991 02	cylinder with pistons number plate + / ++ 658-666G		6	930.25
		group 6 - mahle -			

Model	Year	MG	SG	Illustration	Restrictions	Update	8:29	17.08.2004	PORSCHE	PET	PORSCHE
911	89	1	02	102-05		179					

Pos	Part Number	Name	Remarks	Qty	Model	Pos	Part Number	Name	Remarks	Qty	Model
1	930 103 989 03	cylinder with pistons number plate -- / - 618-626 G		6	930.20/26	4	900 908 019 00	ring C 23		12	
1	930 103 990 03	cylinder with pistons number plate -- / - 613-621 G		6	930.25	5	* 930 104 194 02	cylinder base gasket 0,25 MM		6	
1	930 103 989 04	cylinder with pistons number plate + / ++ 626-634 G		6	930.20/26	5	930 104 194 01	cylinder base gasket oversize 0,50 mm see technical information GR.1 NR.18 27.8.77		6	
1	930 103 990 04	cylinder with pistons number plate + / ++ 621-629 G		6	930.25	6	930 104 381 01	cylinder head gasket	8	6	930.66-S:M14
1	930 103 969 05	cylinder with pistons number plate -- / - 616-624 G		6	930.66/68			- - - E N D - - -			
1	930 103 969 06	cylinder with pistons number plate + / ++ 624-632 G		6	930.66/68						
		group 6 - ks -									
1	930 103 991 03	cylinder with pistons number plate -- / - 650-658G		6	930.25						
1	930 103 991 04	cylinder with pistons number plate + / ++ 658-666G		6	930.25						
		piston rings - mahle -									
2	* 930 103 986 00	set of piston rings		6	930.20/25/26						
2	* 930 103 968 00	set of piston rings		6	930.66/68						
		piston rings - ks -									
2	930 103 986 01	set of piston rings		6	930.25						

Model	Year	MG	SG	Illustration	Restrictions	Update	8:29	17.08.2004	PORSCHE	PET	PORSCHE
911	89	1	03	103-00		179					

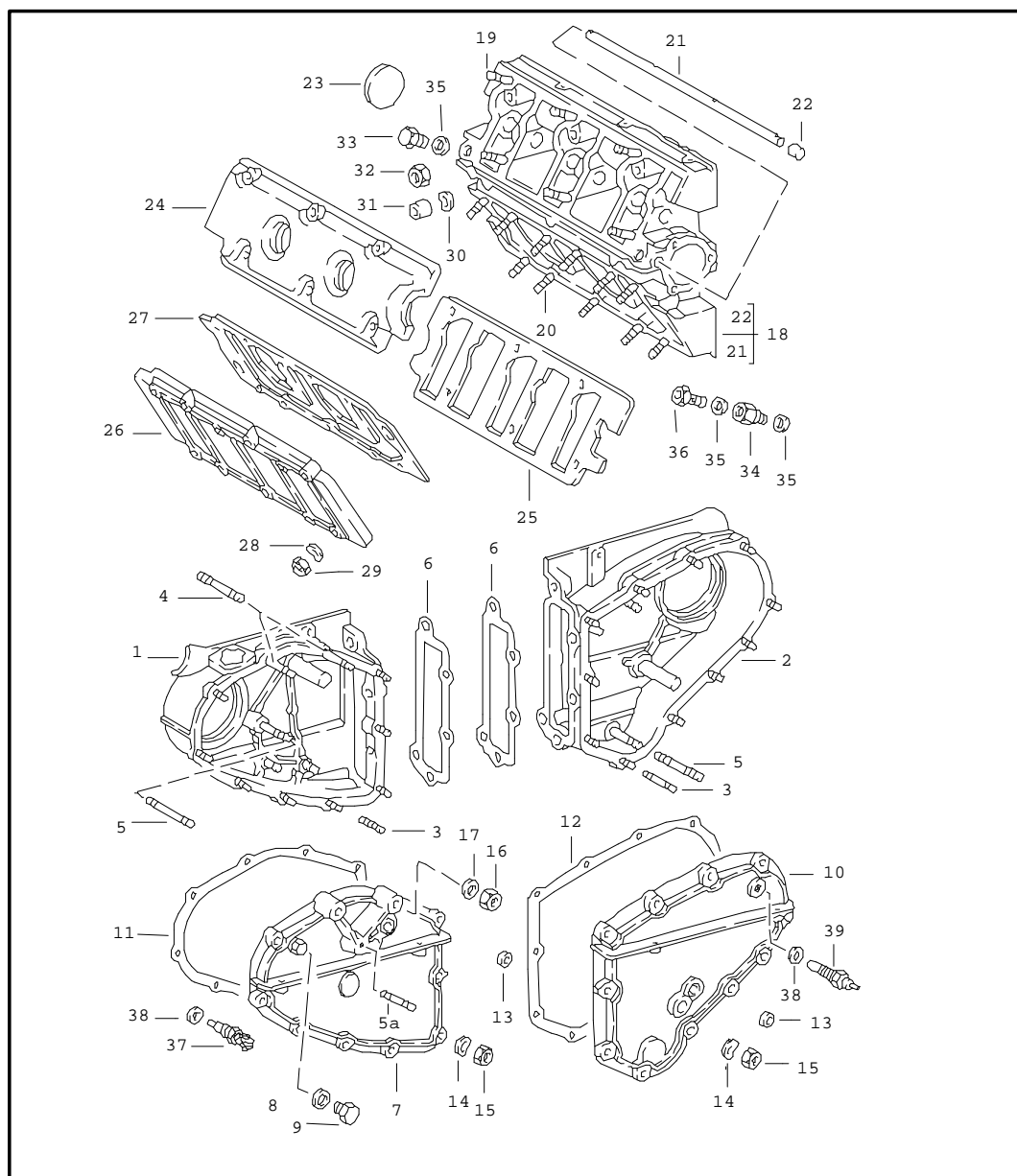


Pos	Part Number	Name	Remarks	Qty	Model
		cylinder head			
1	930 104 033 06	cylinder head without valves		6	930.20/25
1	930 104 033 07	cylinder head without valves		6	930.26
1	930 104 043 10	cylinder head without valves		6	930.66/68
1	930 104 043 12	cylinder head without valves		6	930.66 M 148
2	930 104 321 50	valve guide 1st oversize		12	930.66/68
				6	930.20/25/26
2A	930 104 321 53	valve guide 1st oversize		6	930.20/25/26
3	930 104 331 50	valve seat ring intake valve seat ring		6	
4	930 104 335 56	valve seat ring exhaust oversize		6	
5	999 062 006 02	stud BM 8 X 20		12	
5A	999 062 239 02	stud BM 8 X 30		12	
6	999 062 010 02	stud BM 8 X 35		12	930.20/25/26
6	999 062 178 02	stud BM 8 X 120		12	930.66/68
7	999 062 041 02	stud BM 8 X 50		24	
8	999 012 006 00	straight pin		12	
9	930 105 409 13	intake valve		6	930.20/25/26
9	930 105 409 14	intake valve	:	6	930.20/25/26 M 637
9	964 105 409 06	intake valve		6	930.66/68
10	930 105 419 51	exhaust valve		6	930.20/25/26

Model	Year	MG	SG	Illustration	Restrictions	Update	8:29	17.08.2004	PORSCHE	PET	PORSCHE
911	89	1	03	103-00		179					

Pos	Part Number	Name	Remarks	Qty	Model	Pos	Part Number	Name	Remarks	Qty	Model
10	930 105 419 50	exhaust valve		6	930.66/68						
11	930 105 461 00	washer		X							
12	901 105 463 00	ring		12							
13	901 105 901 50	set of valve springs		12							
14	901 105 421 03	concave washer		12							
15	901 105 417 00	collet		24							
16	999 031 091 01	washer		24							
17	901 104 382 02	cylinder head nut		24							
18	928 104 193 12	valve stem seal		12							
19	930 606 915 00	temperature sensor		1	930.20/25/26						
20	000 043 204 48	sleeve for valve stem seal		X							
		- - - E N D - - -									

Model	Year	MG	SG	Illustration	Restrictions	Update	8:29	17.08.2004	PORSCHE	PET	PORSCHE
911	89	1	03	103-05		179					

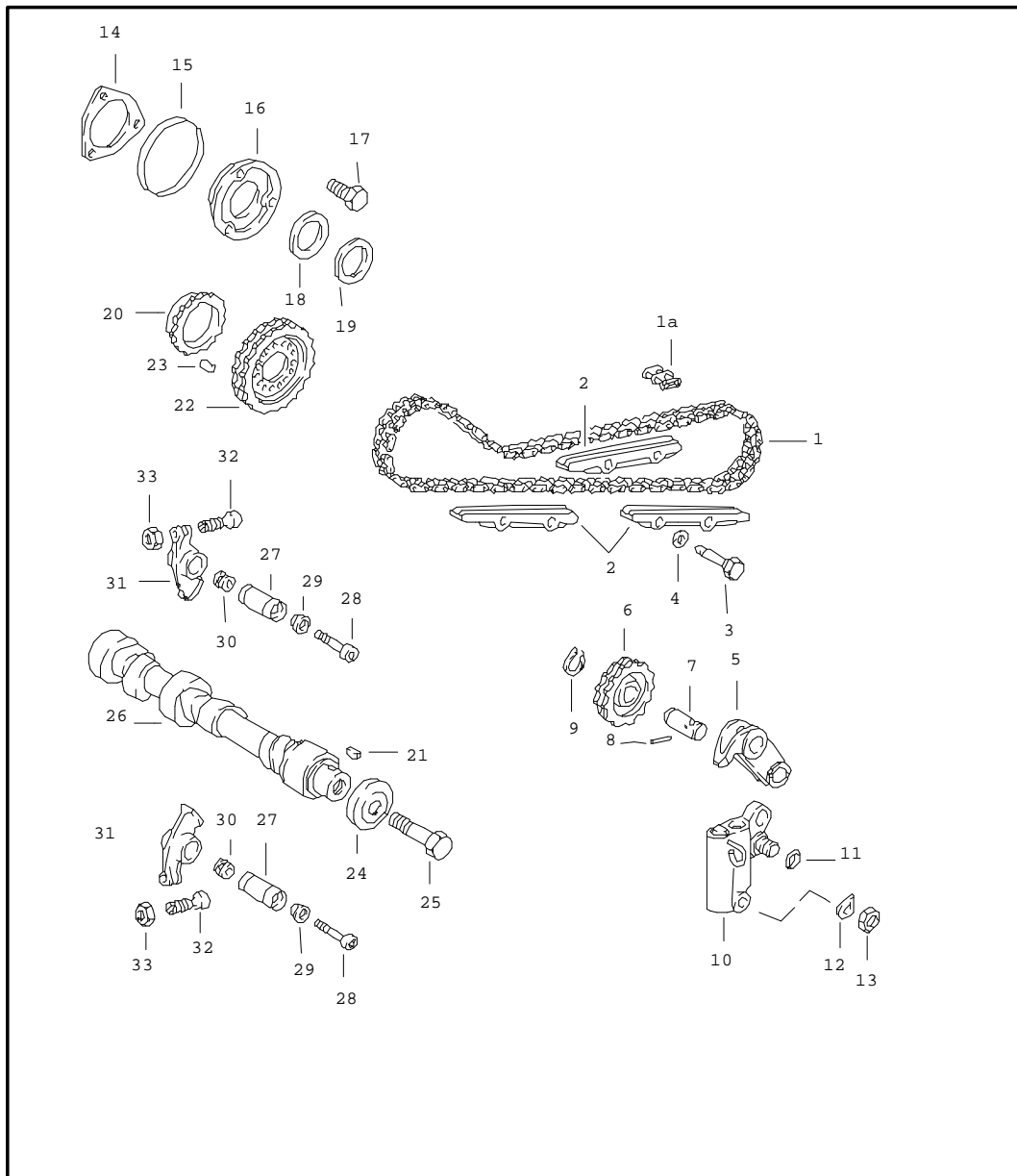


Pos	Part Number	Name	Remarks	Qty	Model
1	930 105 061 02	camshaft housing chain case	/L	1	
-	999 062 046 02	stud BM 8 X 65		2	
2	930 105 062 01	chain case	/R	1	
3	999 062 102 02	stud BM 6 X 22		19	
4	999 062 046 02	stud BM 8 X 65		2	M30.26
4	999 062 052 02	stud BM 8 X 42		2	
5	999 062 255 02	stud M 8 X 60	/L	1	
5	999 062 041 02	stud M 8 X 50	/R	1	
5A	999 062 010 02	stud BM 8 X 35		1	M30.26
6	* 930 105 193 06	gasket		2	
7	930 105 063 08	cover for M30.26 use also:	/L	1	
-	999 062 010 02	stud BM 8 X 35		1	
8	900 123 007 30	sealing ring A 14 X 18		1	
9	N 016 155 3	screw plug M 14 X 1,5		1	930.20/25/26
10	930 105 064 10	cover	/R	1	
11	* 930 105 191 03	gasket	/L	1	
12	* 930 105 192 04	gasket	/R	1	
13	900 036 008 02	cover		2	

Model	Year	MG	SG	Illustration	Restrictions	Update	8:29	17.08.2004	PORSCHE	PET	PORSCHE
911	89	1	03	103-05		179					

Pos	Part Number	Name	Remarks	Qty	Model	Pos	Part Number	Name	Remarks	Qty	Model
14	* 900 031 011 30	washer 6,4		17		34	901 105 361 01	intermediate piece		2	
15	900 910 012 02	lock nut M 6		19		35	* 900 123 005 00	sealing ring A 12 X 16		4	
16	900 076 025 02	hexagon nut M 8		4		36	999 134 018 02	banjo bolt A 6		2	
17	N 012 241 8	spring washer B 8		4		37	911 617 117 00	temperature switch		1	930.66
18	930 105 021 00	camshaft housing		2		38	* 900 123 007 70	sealing ring A 14 X 18		1	930.66/68
19	999 062 009 02	stud BM 8 X 28		12		-	930 105 902 00	set of seals for valve cover		1	
20	999 062 010 02	stud BM 8 X 35		22				- - - E N D - - -			
21	930 105 362 00	oil splash tube		2							
22	901 105 379 00	plug		4							
23	930 105 161 00	cover		2							
24	901 105 115 03	cover		2							
25	* 930 105 194 04	gasket		2							
26	930 105 116 00	cover		2	930.20/25/26						
26	930 105 116 00	cover	/R	1	930.66/68						
26	930 105 116 01	cover	/L	1	930.66/68						
27	* 930 105 195 05	gasket		2							
28	* 900 031 014 30	washer 8,4		40							
29	* 900 084 004 02	hexagon nut M 8		40							
30	N 012 241 8	spring washer B 8 X 15		40							
31	901 111 271 00	nut		6							
32	900 076 025 02	hexagon nut M 8		34							
33	901 105 374 00	screw plug		2							

Model	Year	MG	SG	Illustration	Restrictions	Update	8:29	17.08.2004	PORSCHE	PET	PORSCHE
911	89	1	03	103-10		179					

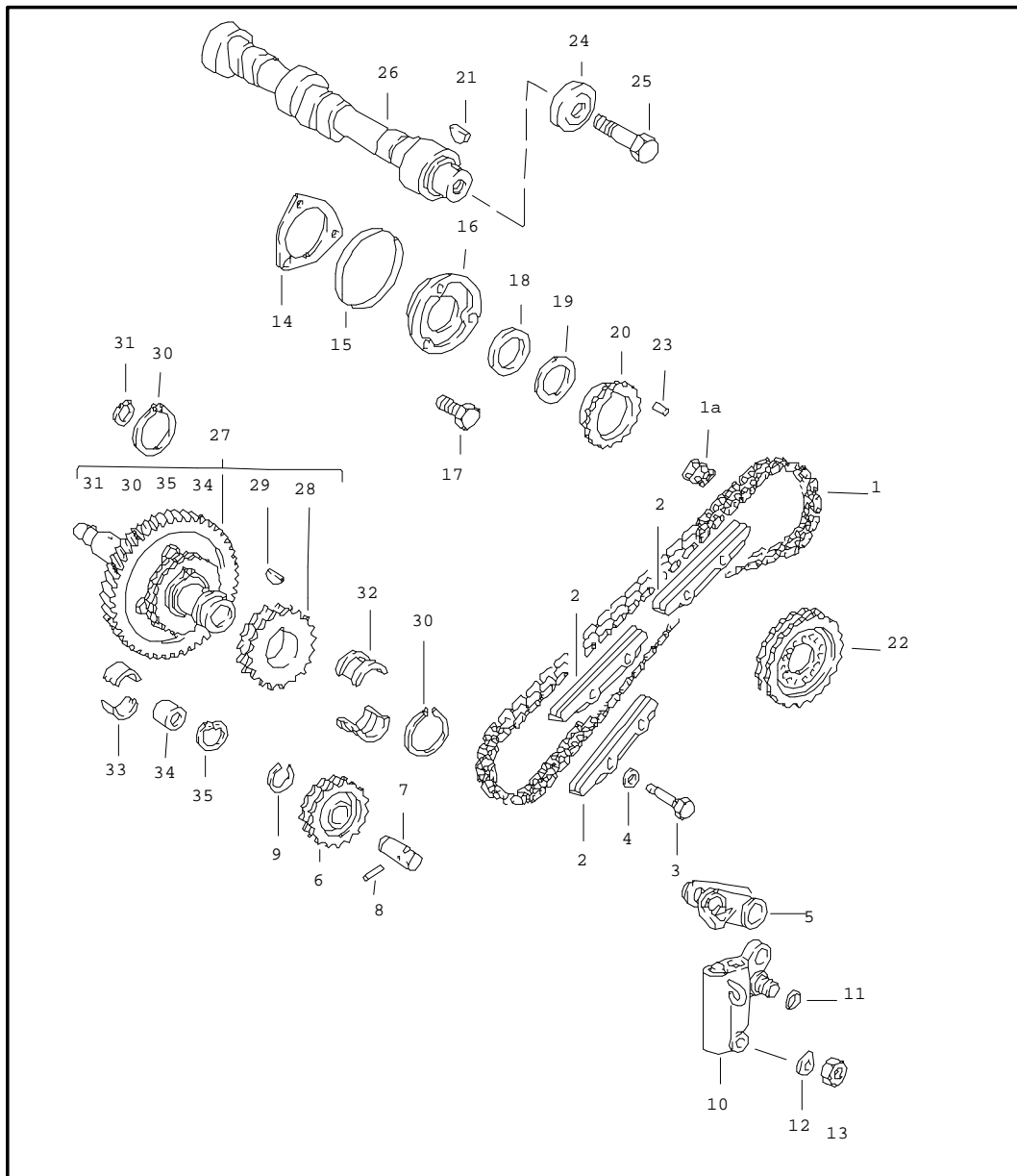


Pos	Part Number	Name	Remarks	Qty	Model
		valve control left			
1	993 105 529 00	timing chain		1	
1	911 105 529 50	timing chain with connecting link		1	
1A	901 105 530 00	connecting link		1	
2	911 105 222 06	guide piece		3	
3	901 105 226 03	bolt		4	
4	* 900 123 066 30	sealing ring A 10 X 16		4	
5	930 105 509 00	chain wheel support		1	
6	901 105 055 00	sprocket		1	
7	901 105 056 01	bolt		1	
8	900 197 010 00	tensioning sleeve 3 X 22		1	
9	N 012 415 1	circlip 15 X 1		1	
10	930 105 058 03	chain adjuster		1	
11	999 701 690 40	round seal 12 X 1,78		1	
12	N 012 241 8	spring washer B 8 X 15		1	
13	900 076 025 02	hexagon nut M 8		1	
14	* 930 105 197 05	gasket		1	
15	* 999 701 468 40	round seal 67,5 X 75,4 X 4		1	
16	930 105 196 00	cover		1	
17	900 075 341 02	screw M 6 X 25		3	
18	901 105 562 00	thrust washer		1	
19	901 105 561 00	shim		X	

Model	Year	MG	SG	Illustration	Restrictions	Update	8:29	17.08.2004	PORSCHE	PET	PORSCHE
911	89	1	03	103-10		179					

Pos	Part Number	Name	Remarks	Qty	Model	Pos	Part Number	Name	Remarks	Qty	Model
20	901 105 583 01	flange		1							
21	N 012 708 2	woodruff key 4 X 5		1							
22	901 105 546 02	sprocket II		1							
23	900 243 001 00	straight pin 6 H 8 X 14		1							
24	993 105 163 50	washer		1							
25	900 082 072 01	hexagon-head bolt M 12 X 1,5 X 50		1							
26	930 105 147 10	camshaft		1	930.20/25/26						
26	930 105 143 03	camshaft		1	930.66/68						
27	901 105 342 04	rocker shaft		12							
28	999 067 008 00	pan-head screw		12							
29	901 105 344 02	bush		12							
30	901 105 376 02	nut		12							
31	930 105 043 00	rocker arm		12							
32	901 105 370 02	adjusting screw		12							
33	999 034 005 00	hexagon nut		12							
		- - - E N D - - -									

Model	Year	MG	SG	Illustration	Restrictions	Update	8:30	17.08.2004	PORSCHE	PET	PORSCHE
911	89	1	03	103-15		179					

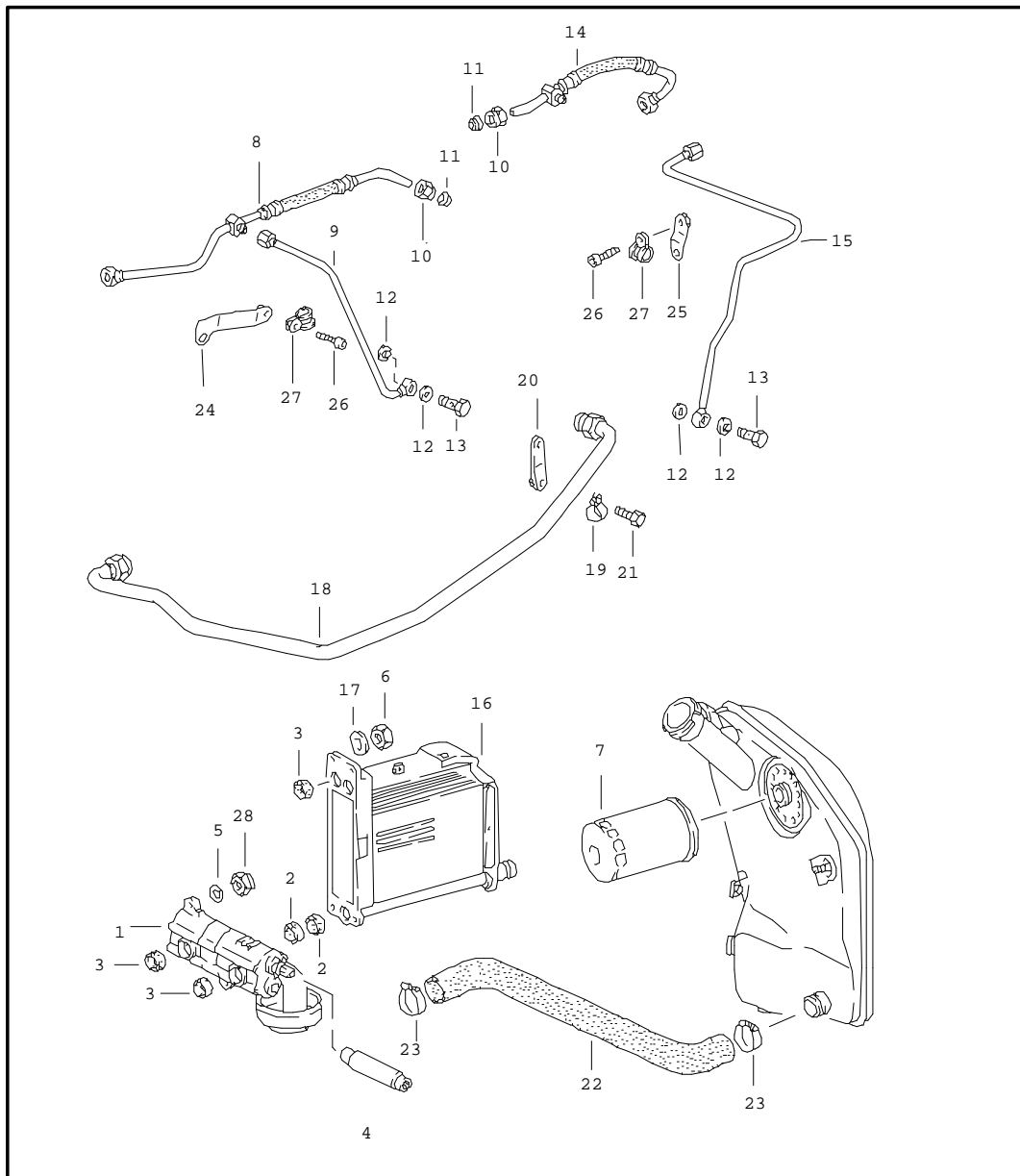


Pos	Part Number	Name	Remarks	Qty	Model
		valve control right			
1	993 105 529 00	timing chain		1	
1	911 105 529 50	timing chain with connecting link		1	
1A	901 105 530 00	connecting link		1	
2	911 105 222 05	guide piece		1	
2	911 105 222 06	guide piece		2	
3	901 105 226 03	bolt		4	
4	* 900 123 066 30	sealing ring A 10 X 16		4	
5	930 105 510 00	chain wheel support		1	
6	901 105 055 00	sprocket		1	
7	901 105 056 01	bolt		1	
8	900 197 010 00	tensioning sleeve 3 X 22		1	
9	N 012 415 1	circlip 15 X 1		1	
10	930 105 058 03	chain adjuster		1	
11	999 701 690 40	round seal 12 X 1,78		1	
12	N 012 241 8	spring washer B 8 X 15		1	
13	900 076 025 02	hexagon nut M 8		1	
14	* 930 105 197 05	gasket		1	
15	* 999 701 468 40	round seal 67,5 X 75,4 X 4		1	
16	930 105 196 00	cover		1	
17	900 075 341 02	screw M 6 X 25		3	
18	901 105 562 00	thrust washer		1	

Model	Year	MG	SG	Illustration	Restrictions	Update	8:30	17.08.2004	PORSCHE	PET	PORSCHE
911	89	1	03	103-15		179					

Pos	Part Number	Name	Remarks	Qty	Model	Pos	Part Number	Name	Remarks	Qty	Model
19	901 105 561 00	shim		X							
20	901 105 583 01	flange		1							
21	N 012 708 2	woodruff key 4 X 5		1							
22	901 105 546 02	sprocket II		1							
23	900 243 001 00	straight pin 6 H 8 X 14		1							
24	993 105 163 50	washer		1							
25	900 082 072 01	hexagon-head bolt M 12 X 1,5 X 50		1							
26	930 105 148 10	camshaft		1	930.20/25/26						
26	930 105 142 03	camshaft		1	930.66/68						
27	> 930 105 013 01	intermediate shaft size 0		1							
27	> 930 105 013 11	intermediate shaft size 1		1							
28	901 105 125 04	sprocket		2							
29	900 118 010 00	woodruff key		2							
30	900 041 025 01	circlip 36 X 1,75		2							
31	900 041 026 01	circlip 13 X 1		1							
32	916 101 137 00	thrust bearing		2							
33	901 101 135 00	bearing		2							
34	901 105 275 00	plug		1							
35	N 012 296 1	circlip 16 X 1		1							
		- - - E N D - - -									

Model	Year	MG	SG	Illustration	Restrictions	Update	8:30	17.08.2004	PORSCHE	PET	PORSCHE
911	89	1	04	104-00		179					

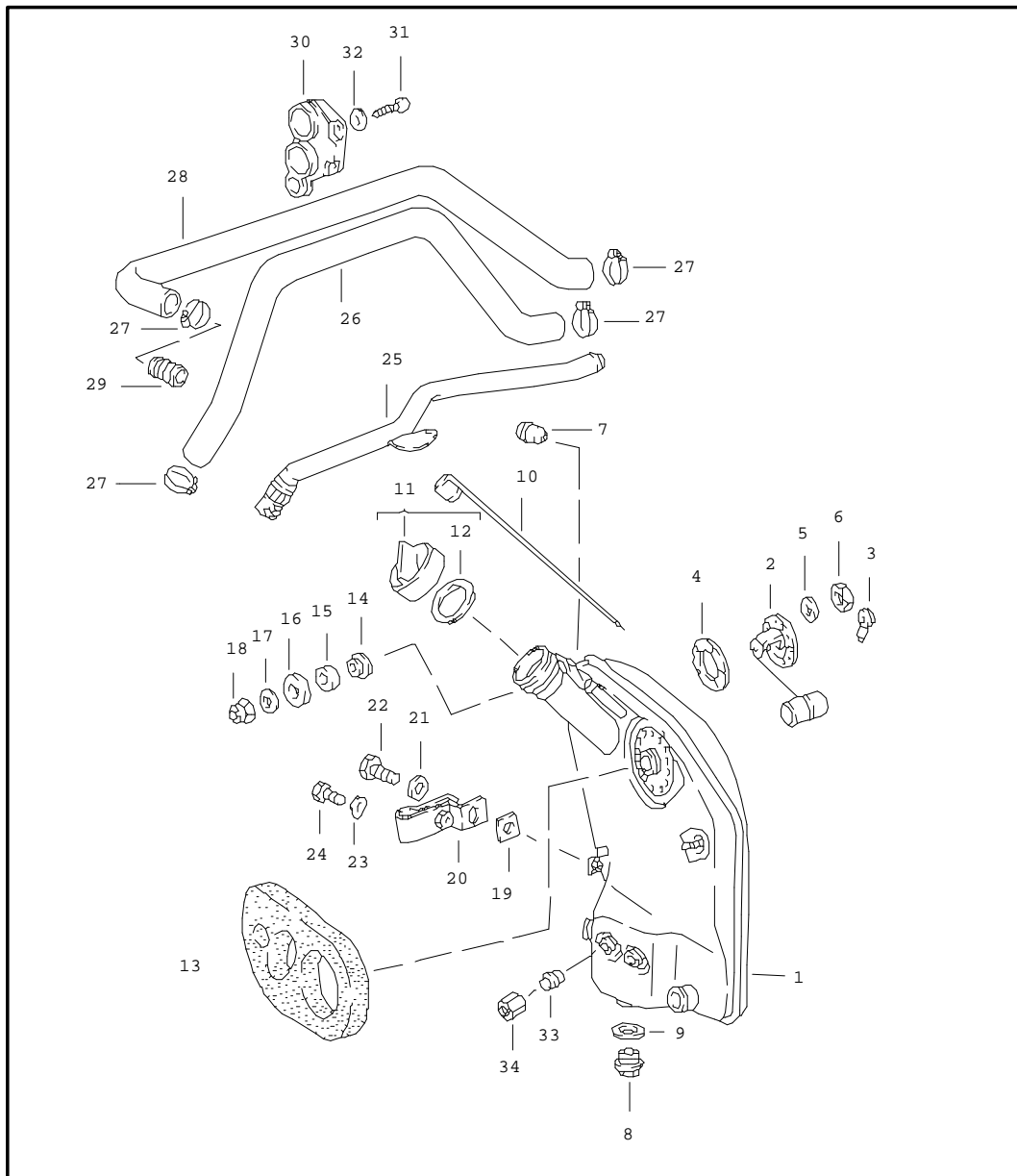


Pos	Part Number	Name	Remarks	Qty	Model
		engine lubrication oil pump lines see technical information GR.1 NR.1/1A-85			
1	911 107 008 05	oil pump		1	930.20/25/26
1	996 107 008 70	oil pump		1	930.66/68
2	999 704 173 50	sealing ring		2	
3	999 704 172 50	sealing ring		4	
4	901 107 121 00	connecting shaft		1	930.20/25/26
4	930 107 143 00	connecting shaft		1	930.66/68
5	900 025 007 02	washer A 8,4		3	
6	900 076 025 02	hexagon nut M 8		4	
7	930 107 764 01	oil filter		1	
8	930 107 347 04	oil hose		1	
9	930 107 347 02	oil pipe		1	
10	900 104 003 02	union nut ALL 8		2	
11	N 020 825 1	cutting ring LL 8		2	
12	900 123 115 30	sealing ring A 8 X 11,5		4	
13	N 021 073 1	banjo bolt LL 3-5		2	
14	930 107 348 11	oil hose		1	
15	930 107 348 09	oil pipe		1	
16	911 107 041 00	oil cooler		1	
17	N 012 241 8	spring washer B 8		4	

Model	Year	MG	SG	Illustration	Restrictions	Update	8:30	17.08.2004	PORSCHE	PET	PORSCHE
911	89	1	04	104-00		179					

Pos	Part Number	Name	Remarks	Qty	Model	Pos	Part Number	Name	Remarks	Qty	Model
18	930 107 741 16	oil pipe		1							
		use also:									
		retaining bracket		1							
		930.107.417.02									
18	911 107 741 17	oil pipe		1	930.26						
18	930 107 741 11	oil pipe		1	930.66/68						
19	930 107 407 03	clip		1							
20	930 107 417 01	retaining bracket		1	930.20/25/26						
20	930 107 417 02	retaining bracket		1	930.25						
					M 152						
21	999 072 005 09	hexagon-head bolt		1	930.20/25/26						
		M 6 X 12									
22	911 107 233 00	suction hose		1	930.20/25/26						
22	930 107 233 02	suction hose		1	930.66/68						
23	999 512 091 00	hose clamp		2							
		S 40/15									
24	930 107 341 00	support	/L	1							
25	930 107 342 01	support	/R	1							
26	900 119 059 02	pan-head screw		2							
		M 4 X 10									
27	999 511 174 02	clip		2							
		4/9									
28	999 084 095 02	lock nut		3							
		M 8									
		- - - E N D - - -									

Model	Year	MG	SG	Illustration	Restrictions	Update	8:30	17.08.2004	PORSCHE	PET	PORSCHE
911	89	1	04	104-01		179					

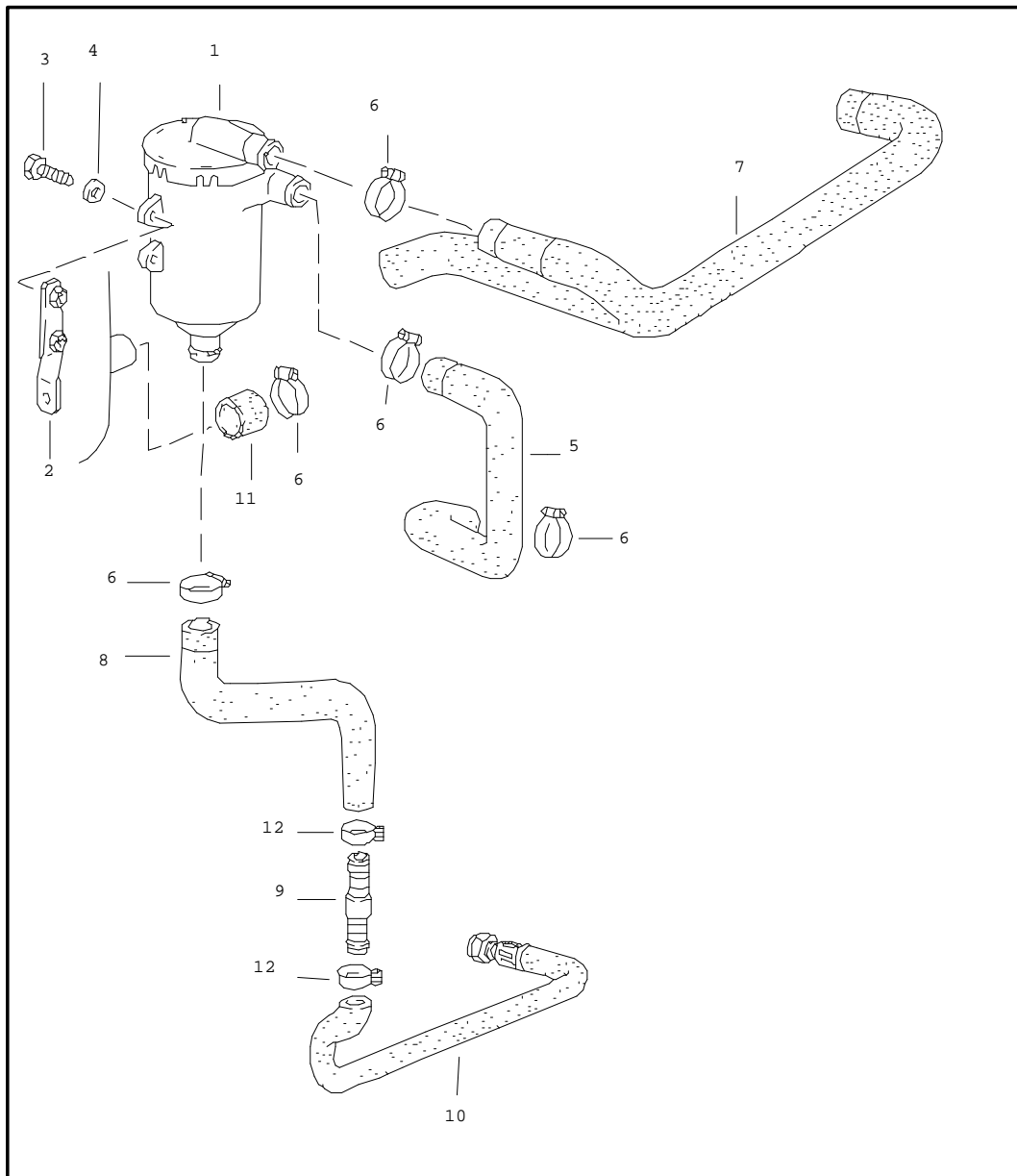


Pos	Part Number	Name	Remarks	Qty	Model
		engine lubrication oil tank lines			
(1)	911 107 006 22	oil tank		1	930.20/25/26
1	930 107 006 03	oil tank		1	930.66/68
2	911 641 541 02	tank gauge		1	
3	999 659 011 50	protection cap		1	
4	914 201 891 00	gasket		1	
5	900 025 003 30	washer 5,3		5	
6	N 011 005 14	hexagon nut M 5		5	
7	930 107 289 00	restrictor		1	
8	911 107 176 03	screw plug		1	
9	900 123 011 20	sealing ring A22X27		1	
10	930 107 731 01	oil level dipstick		1	
11	944 107 091 01	oil filler cover		1	
12	999 701 846 40	o-ring		1	
13	911 107 192 03	gasket		1	
14	901 107 692 00	washer		2	
15	901 107 693 01	washer		2	
16	901 107 661 00	washer		2	
17	900 151 008 02	washer B8,4		2	
18	999 090 004 02	hexagon nut M8		2	
19	901 501 909 20	intermediate layer		1	
20	901 501 930 22	support		1	
21	N 011 524 7	washer A6,4		1	

Model	Year	MG	SG	Illustration	Restrictions	Update	8:30	17.08.2004	PORSCHE	PET	PORSCHE
911	89	1	04	104-01		179					

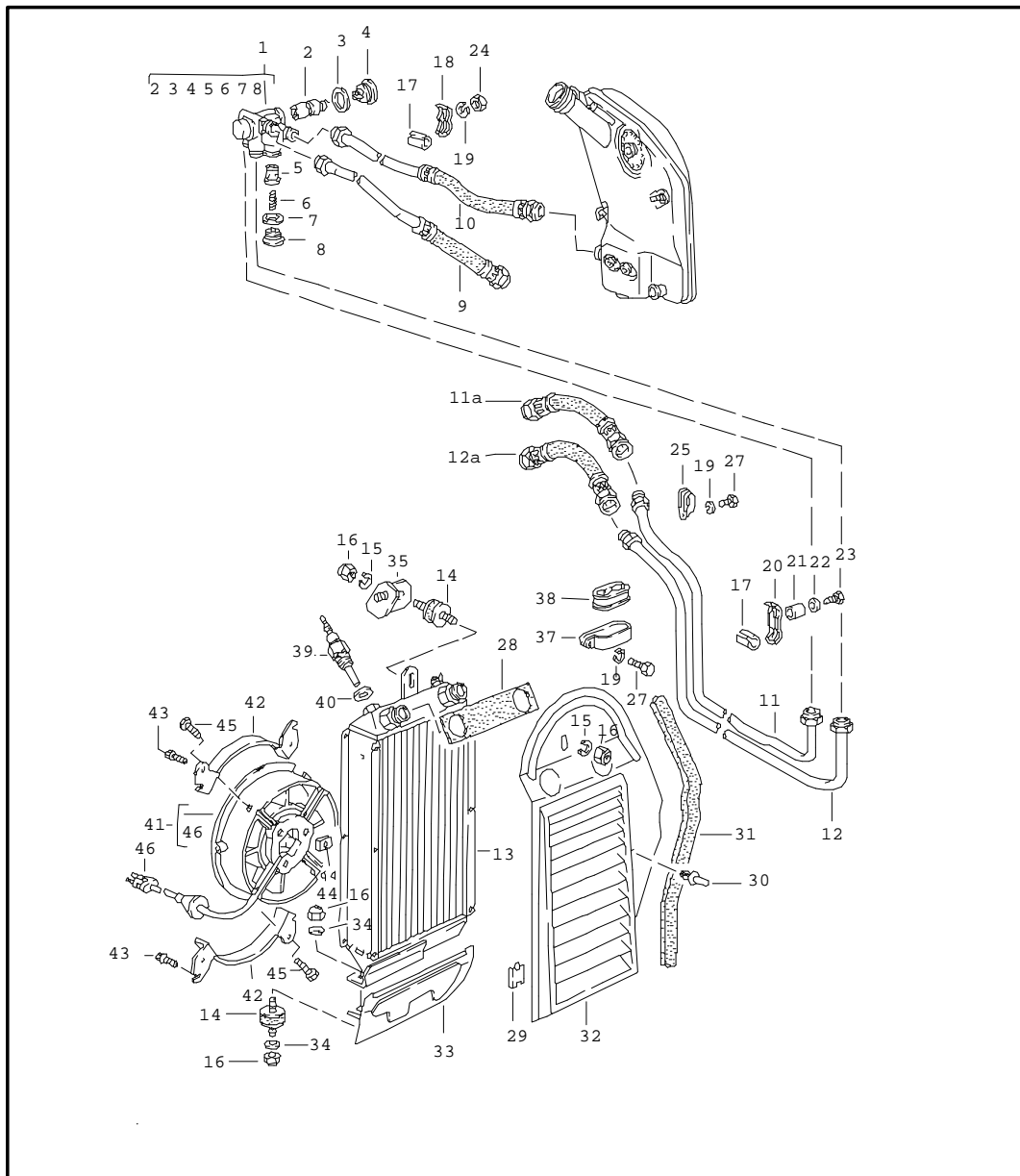
Pos	Part Number	Name	Remarks	Qty	Model	Pos	Part Number	Name	Remarks	Qty	Model
22	N 010 217 9	hexagon-head bolt M6X20		1							
23	N 012 226 5	spring washer A6		1							
24	900 075 057 02	hexagon-head bolt M6X16		1							
25	930 107 397 01	line bleeding crankcase		1	930.66/68						
26	930 207 386 01	connecting hose		1	930.20/25/26						
27	999 512 252 02	hose clamp LA 23-35		5							
28	930 207 385 01	connecting hose		1	930.20/25/26						
29	930 110 267 04	connecting piece		1	930.20/25/26						
30	930 207 356 05	retaining bracket		1	930.20/25/26						
31	N 013 969 8	tapping screw BZ 4,8X16		2	930.20/25/26						
32	900 025 003 02	washer A5,3		2	930.20/25/26						
33	930 107 601 01	bush	(CDN)	1	930.66 (AUS)						
34	900 104 013 02	union nut M 26 X 1,5	(CDN)	1	930.66 (AUS)						
		- - - E N D - - -									

Model	Year	MG	SG	Illustration	Restrictions	Update	8:30	17.08.2004	PORSCHE	PET	PORSCHE
911	89	1	04	104-02		179					



Pos	Part Number	Name	Remarks	Qty	Model
		oil separator			930.66/68
1	930 107 321 01	oil separator		1	
2	930 107 323 00	support		1	
3	N 010 217 9	hexagon-head bolt M 6X20		2	
4	900 223 003 02	washer 6,4		2	
5	930 107 391 00	hose		1	
6	999 512 252 02	hose clamp		6	
7	930 107 395 04	hose		1	
8	930 107 389 04	hose		1	
9	930 110 267 01	connecting socket		1	
10	930 107 389 06	hose		1	
11	930 107 711 00	cap		1	
12	999 512 421 02	hose clamp		2	
		- - - E N D - - -			

Model	Year	MG	SG	Illustration	Restrictions	Update	8:30	17.08.2004	PORSCHE	PET	PORSCHE
911	89	1	04	104-05		179					

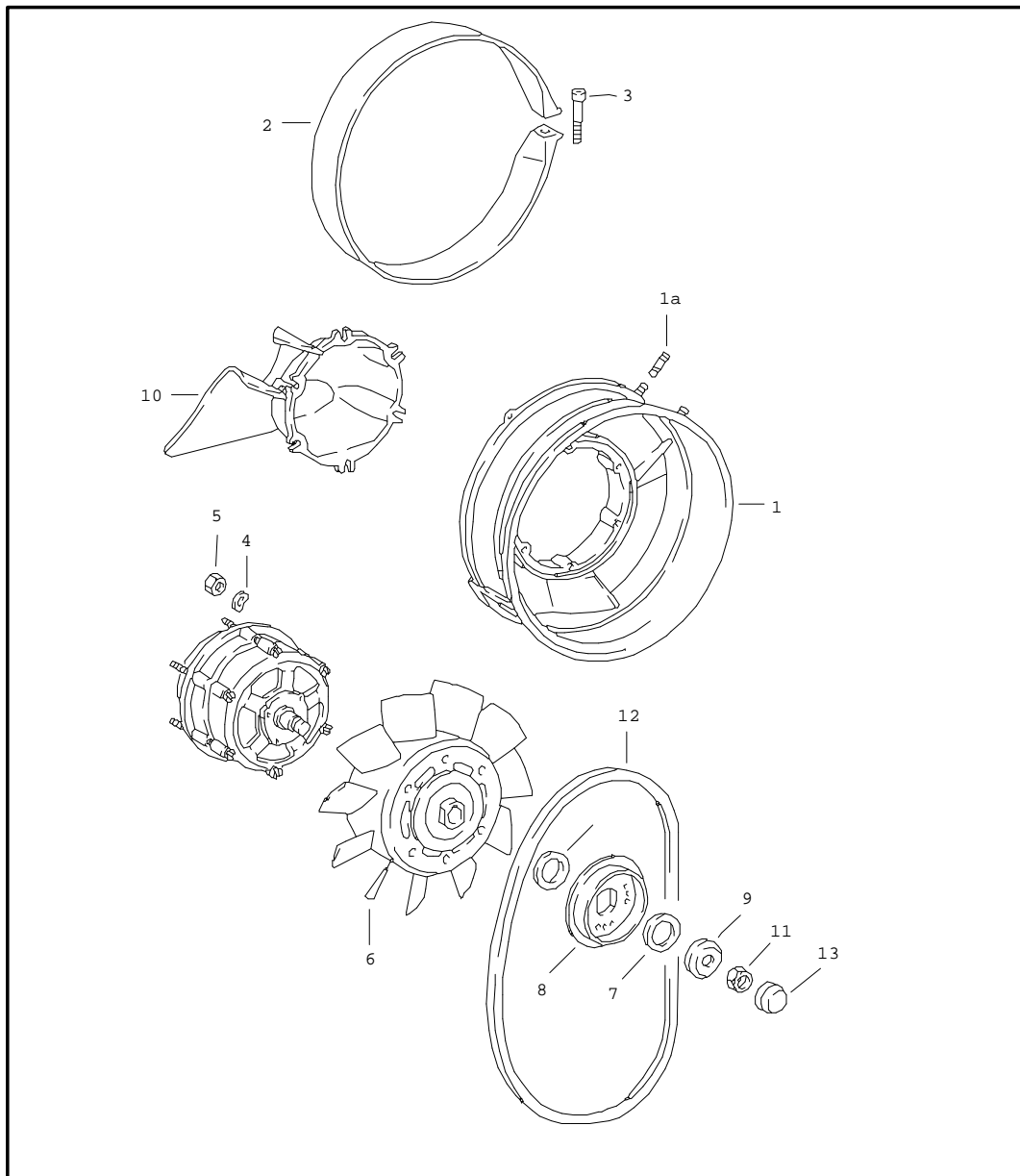


Pos	Part Number	Name	Remarks	Qty	Model
		engine lubrication oil cooler			
1	930 107 017 00	regulator housing		1	
2	930 107 155 00	regulator insert		1	
3	900 123 136 30	sealing ring A 42X49		1	
4	911 107 155 00	screw plug		1	
5	930 107 076 00	piston		1	
6	900 280 008 00	compression spring		1	
7	900 123 075 30	sealing ring A 32X38		1	
8	916 107 276 00	screw plug		1	
9	930 107 743 12	oil pipe		1	930.20/25/26
9	930 107 743 10	oil pipe		1	930.66/68
10	911 107 730 11	oil pipe		1	
11	930 207 046 01	return pipe		1	
11A	930 207 113 00	oil pipe		1	
12	930 207 045 01	intake tube		1	
12A	930 207 111 00	oil pipe		1	
13	930 207 053 02	oil cooler for cars without M 176 use also:		1	
-	N 016 155 3	screw plug M 14 X 1,5		1	
-	900 123 007 30	sealing ring A 14 X 18		1	
14	930 207 239 01	bonded rubber buffer		3	
15	900 151 008 02	washer B 8,4		2	
16	900 910 022 02	lock nut M8		6	

Model	Year	MG	SG	Illustration	Restrictions	Update	8:30	17.08.2004	PORSCHE	PET	PORSCHE
911	89	1	04	104-05		179					

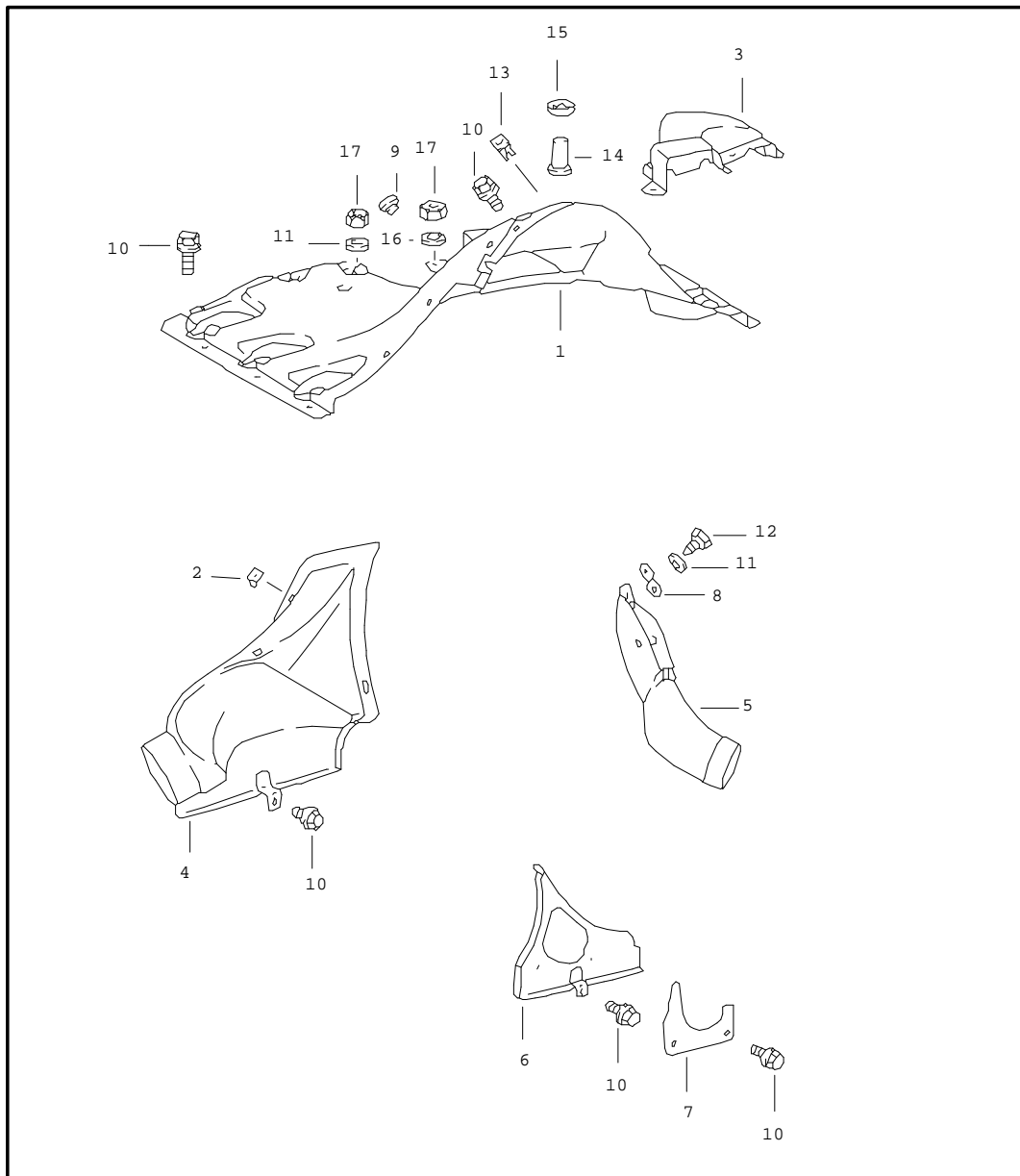
Pos	Part Number	Name	Remarks	Qty	Model	Pos	Part Number	Name	Remarks	Qty	Model
17	964 207 302 00	hose piece		6		37	999 511 162 02	clip		1	
18	911 207 237 00	support		1		38	930 207 265 00	rubber mounting		1	
19	N 012 006 4	lock ring B6		4		39	930 606 118 00	temperature switch		1	
20	911 207 303 00	support		3		40	900 123 007 30	sealing ring A 14 X 18		1	
21	911 559 145 00	spacer sleeve		3		41	911 624 121 00	blower		1	
22	900 151 007 02	washer B7,4		6		42	911 624 104 00	retaining bracket B 4,2 X 13		2	
23	900 187 129 02	tapping screw B 6,3 X 38		3		43	999 450 006 02	tapping screw B 4,2 X 13		4	
24	900 076 010 02	hexagon nut M 6		1		44	999 507 229 02	speed nut		4	
25	999 511 084 02	clip 1100 2 X 22/15		2		45	900 075 363 02	hexagon-head bolt M 6 X 10		4	
27	N 010 217 9	hexagon-head bolt M 6 X 20		3		46	999 652 381 00	connector housing		1	
28	930 207 361 00	gasket		1				- - - E N D - - -			
29	999 920 005 02	u-clamp		5							
30	999 591 429 40	expansion rivet		2							
31	930 207 353 00	gasket		1							
32	930 207 319 12	cover plate		1	930.66						
(32)	930 207 319 13	cover plate		1	930.66/68 (USA) (SA) (CDN)						
(32)	930 207 319 14	cover plate		1	930.20/25 (USA) (SA)						
32	930 207 319 15	cover plate		1	930.20/25/26						
33	930 207 121 00	cover plate		1							
34	900 025 007 02	washer A 8,4		4							
35	930 207 927 00	support		1							
36	930 207 921 00	support		1							

Model	Year	MG	SG	Illustration	Restrictions	Update	8:31	17.08.2004	PORSCHE	PET	PORSCHE
911	89	1	05	105-00		179					



Pos	Part Number	Name	Remarks	Qty	Model
		air cooling			
1	930 106 102 07	fan housing		1	930.20/25
1	930 106 006 07	fan housing		1	930.26
1	930 106 006 06	fan housing		1	930.66/68
1A	999 062 006 02	stud BM 8 X 20		1	
1A	999 062 073 02	stud BM 8 X 16		1	
2	964 106 251 20	clip		1	
3	900 067 020 02	pan-head screw M 8 X 50		1	
4	900 025 003 02	washer A 5,3		6	
5	900 910 008 02	lock nut M 5		6	
6	930 106 012 00	impeller		1	
-	999 118 008 00	woodruff key		1	
7	930 106 564 00	shim		X	
8	930 106 209 02	pulley half		1	
9	911 603 428 01	tensioning cap		1	
10	911 106 055 01	hub extension		1	
11	928 603 904 00	set of fastening parts		1	
12	999 192 176 50	narrow v-belt 9,5 X 710		1	
13	911 603 127 00	protection cap		1	
		- - - E N D - - -			

Model	Year	MG	SG	Illustration	Restrictions	Update	8:31	17.08.2004	PORSCHE	PET	PORSCHE
911	89	1	05	105-05		179					

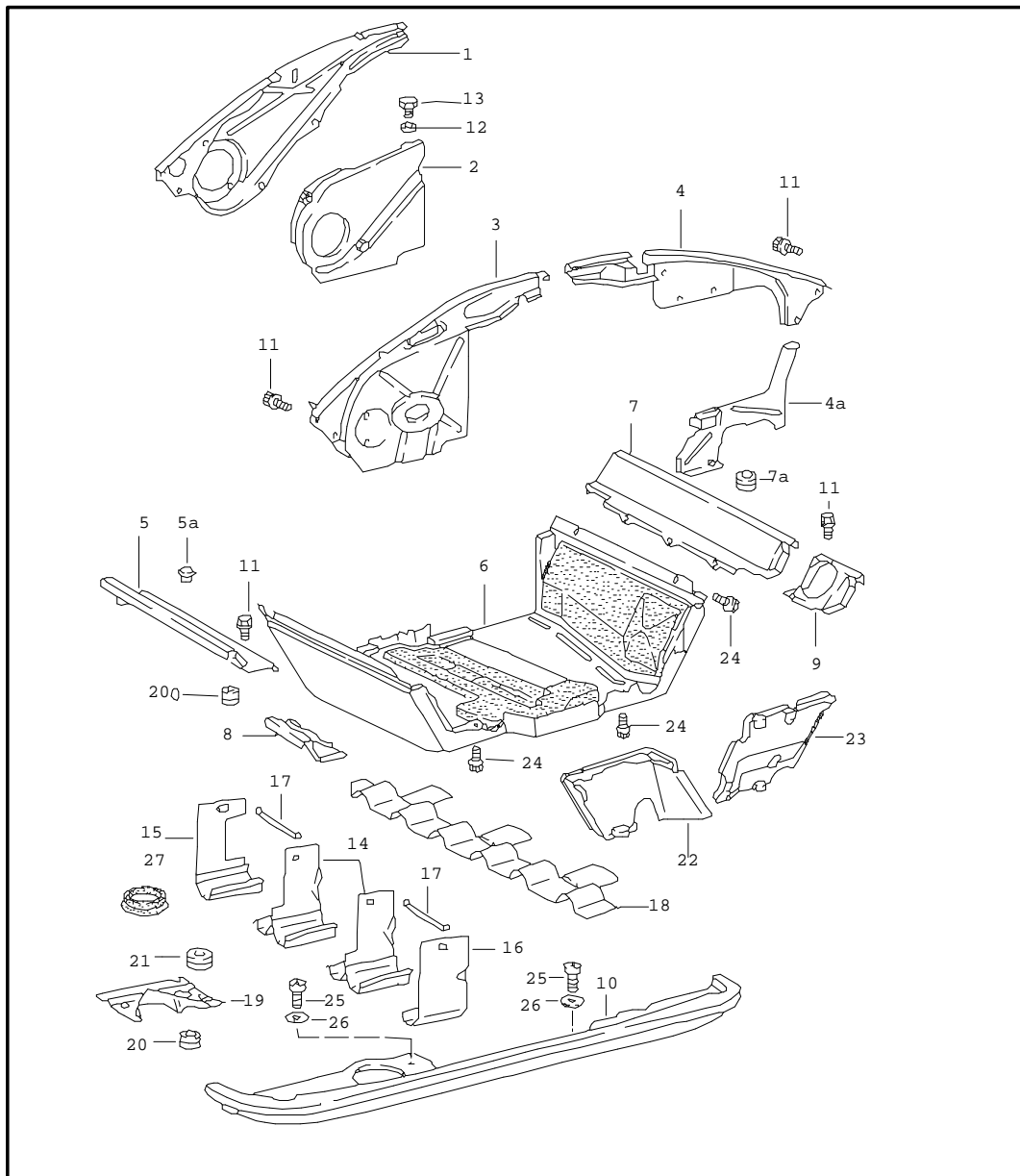


Pos	Part Number	Name	Remarks	Qty	Model
		air duct			
1	930 106 041 09	air duct black		1	930.20/25/26
1	930 106 041 13	air duct red		1	930.66/68
2	999 507 003 02	speed nut B 6,3		4	
3	911 106 406 00	air duct		1	
4	930 106 321 01	hot air socket		1	930.66/68
5	911 106 327 00	hot air socket		1	930.66/68
6	911 106 036 01	cover plate		1	930.20/25/26
(6)	911 106 036 00	cover plate		1	930.66/68
7	911 106 827 00	closing plate		1	930.66/68
8	911 106 331 00	support		1	930.66/68
9	999 703 092 40	plug 9 X 18,5/14		1	930.66/68
10	999 075 039 02	screw M 6 X 12		3	
10	999 143 004 08	locking screw M 6 X 12		8	
10	900 075 057 02	hexagon-head bolt M 6 X 16		2	
10	900 075 014 02	hexagon-head bolt M 6 X 18		2	
11	N 011 524 7	washer A 6,4		5	
11	999 025 108 02	washer 6,4 X 14		4	
12	900 187 015 02	tapping screw B 6,3 X 16		2	
12	900 187 027 02	hexagon-head tapping screw BZ 6,3 X 23		1	930.66/68
13	999 591 592 40	special nut		4	930.20/25/26

Model	Year	MG	SG	Illustration	Restrictions	Update	8:31	17.08.2004	PORSCHE	PET	PORSCHE
911	89	1	05	105-05		179					

Pos	Part Number	Name	Remarks	Qty	Model	Pos	Part Number	Name	Remarks	Qty	Model
16	N 011 524 7	washer A 6,4		2							
17	900 076 010 02	hexagon nut M 6		2							
		- - - E N D - - -									

Model	Year	MG	SG	Illustration	Restrictions	Update	8:31	17.08.2004	PORSCHE	PET	PORSCHE
911	89	1	05	105-10		179					

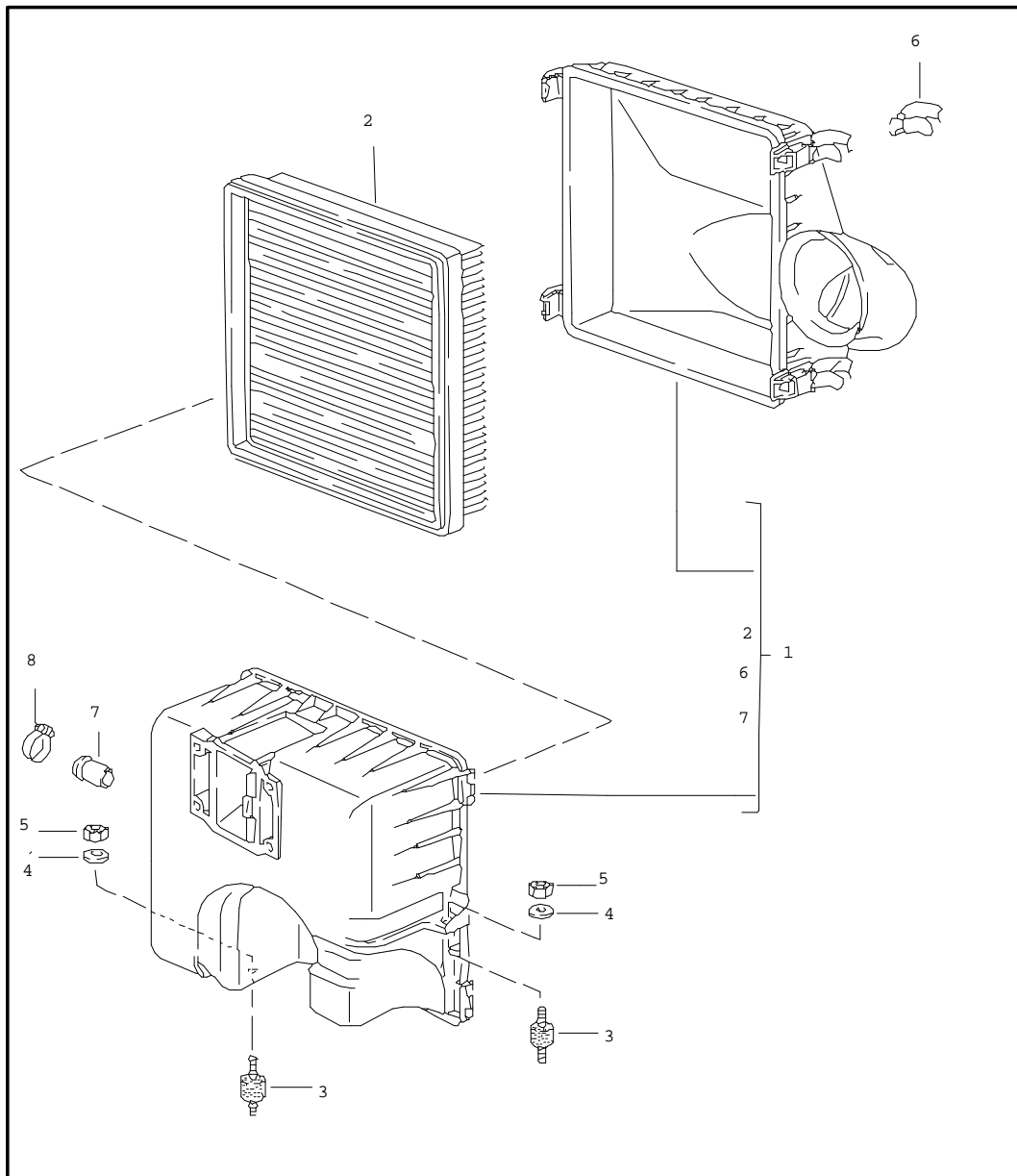


Pos	Part Number	Name	Remarks	Qty	Model
		air duct			
		engine cover			
1	930 106 705 01	engine cover		1	930.66/68
2	930 106 707 01	engine cover		1	930.66/68
3	930 106 089 01	engine cover		1	930.20/25/26
3	930 106 089 02	engine cover		1	930.25 (CH) (AUS)
4	911 106 802 03	engine cover		1	930.20/25/26
4A	930 106 123 01	engine cover	-88	1	930.25 (CH) (AUS)
4A	930 106 123 01	engine cover	89-	1	930.25 (CH) (AUS)
4	930 106 805 00	engine cover		1	930.66/68
5	930 106 861 01	engine cover		1	930.20/25/26
5	930 106 861 02	engine cover		1	930.25 (J)
5	930 106 861 03	engine cover		1	930.25 (CH) (AUS)
5	911 106 083 01	engine cover		1	930.26
(5)	930 106 703 01	engine cover		1	930.66
5A	999 703 224 40	cap 20,5 MM \$		1	930.20/25/26
6	930 119 007 01	centre part	87	1	930.20/25 (CH) (AUS)
6	930 119 007 01	engine capsule	88-	1	930.20/25 (CH) (AUS)
7	930 106 862 01	engine cover		1	930.20/25/26
7	930 106 084 03	engine cover		1	930.66
7A	999 702 114 50	grommet 18 MM \$		1	930.66/68
7A	999 702 042 50	grommet 25 MM \$		1	930.66/68
8	901 106 825 00	cover		1	930.66/68

Model	Year	MG	SG	Illustration	Restrictions	Update	8:31	17.08.2004	PORSCHE	PET	PORSCHE
911	89	1	05	105-10		179					

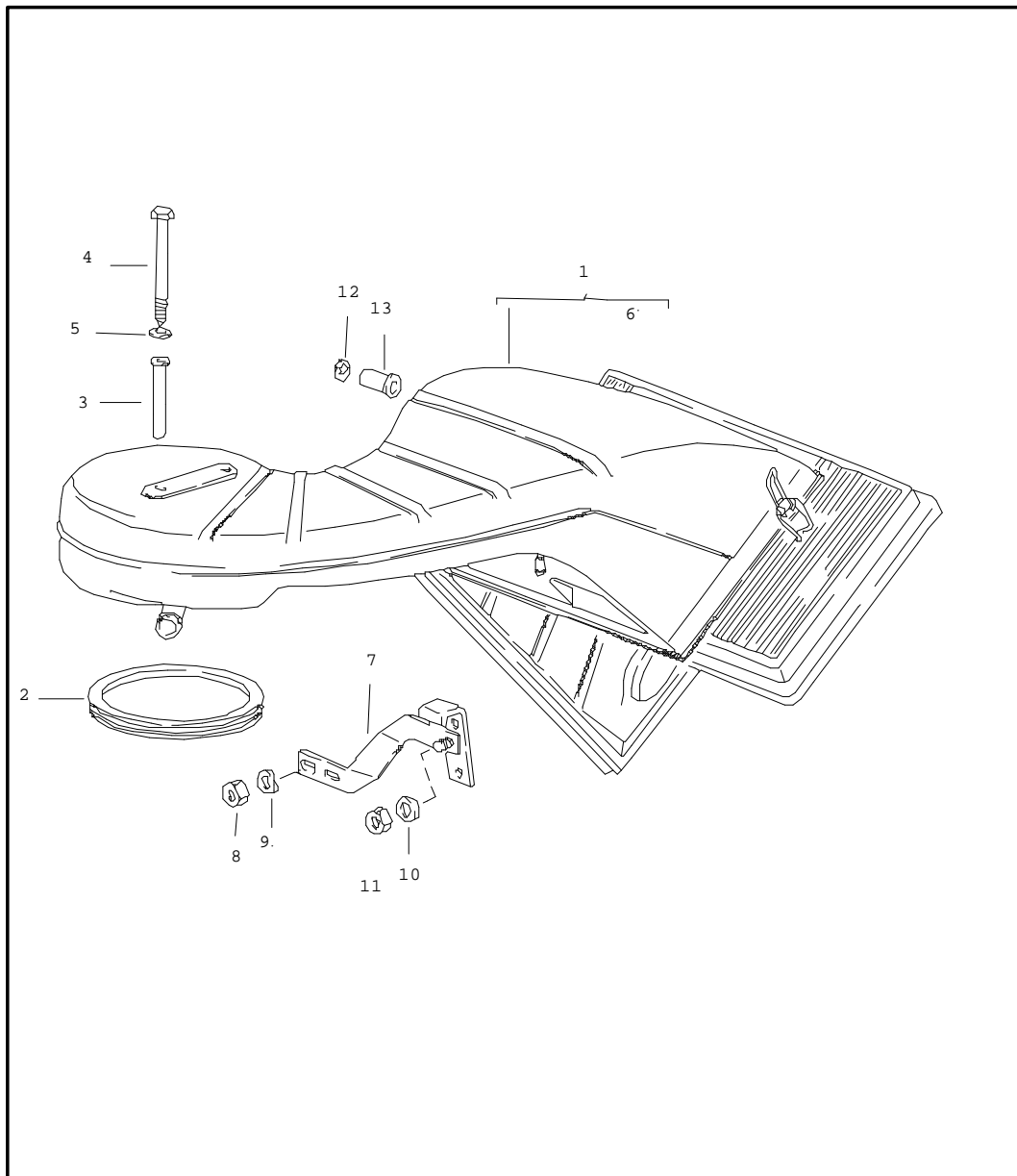
Pos	Part Number	Name	Remarks	Qty	Model	Pos	Part Number	Name	Remarks	Qty	Model
9	930 106 826 01	cover		1	930.66/68	19	930 106 952 01	engine cover		1	930.66-S M 148
10	930 106 085 18	engine cover		1	930.20/25	20	930 106 175 00	rubber sleeve 21,5 \$		3	930.66/68
10	930 106 085 14	engine cover		1	930.26	21	930 106 176 00	rubber sleeve 34 \$		1	930.66/68
10	930 106 085 17	engine cover		1	930.20/25 M 559	22	930 119 009 01	side section	/L 87	1	930.20/25
10	930 106 085 15	engine cover		1	930.26 M 559	22	930 119 009 01	side section engine capsule	/L 88-	1	930.20/25 (CH) (AUS)
10	930 106 085 18	engine cover		1	930.25 (CH) (AUS)	23	930 119 010 01	side section	/R 87	1	930.20/25
10	930 106 085 17	engine cover		1	930.25 M 559 (CH) (AUS)	23	930 119 010 01	side section engine capsule	/R 88-	1	930.20/25 (CH) (AUS)
10	930 106 081 12	engine cover		1	930.66/68 M 559/M 573	24	900 075 374 02	screw M 6 X 14		4	930.20/25 (CH) (AUS)
10	930 106 081 13	engine cover		1	930.66-S M 148	24	900 075 392 00	screw M 6 X 18		10	930.20/25 (CH) (AUS)
11	999 075 039 02	screw M 6 X 12		16		25	900 067 008 02	pan-head screw M 6 X 12		2	
11	999 143 004 08	locking screw M 6 X 12		13		26	N 011 524 7	washer A 6,4		2	
12	N 011 524 7	washer 6,4		2		27	930 106 191 00	rubber sleeve		1	
13	N 010 208 5	hexagon-head bolt M 6 X 8		2	930.66/68			- - - E N D - - -			
14	930 106 023 00	baffle plate		4	930.20/25/26						
14	930 106 023 01	baffle plate		4	930.66/68						
15	930 106 221 00	baffle plate		2	930.20/25/26						
15	930 106 221 01	baffle plate		2	930.66/68						
16	930 106 222 00	baffle plate		2	930.20/25/26						
16	930 106 222 01	baffle plate		2	930.66/68						
17	930 106 228 00	leaf spring		6							
18	930 106 301 00	cover plate		2	930.20/25/26						
19	930 106 852 01	cover		1	930.66/68						

Model	Year	MG	SG	Illustration	Restrictions	Update	8:31	17.08.2004	PORSCHE	PET	PORSCHE
911	89	1	06	106-00		179					



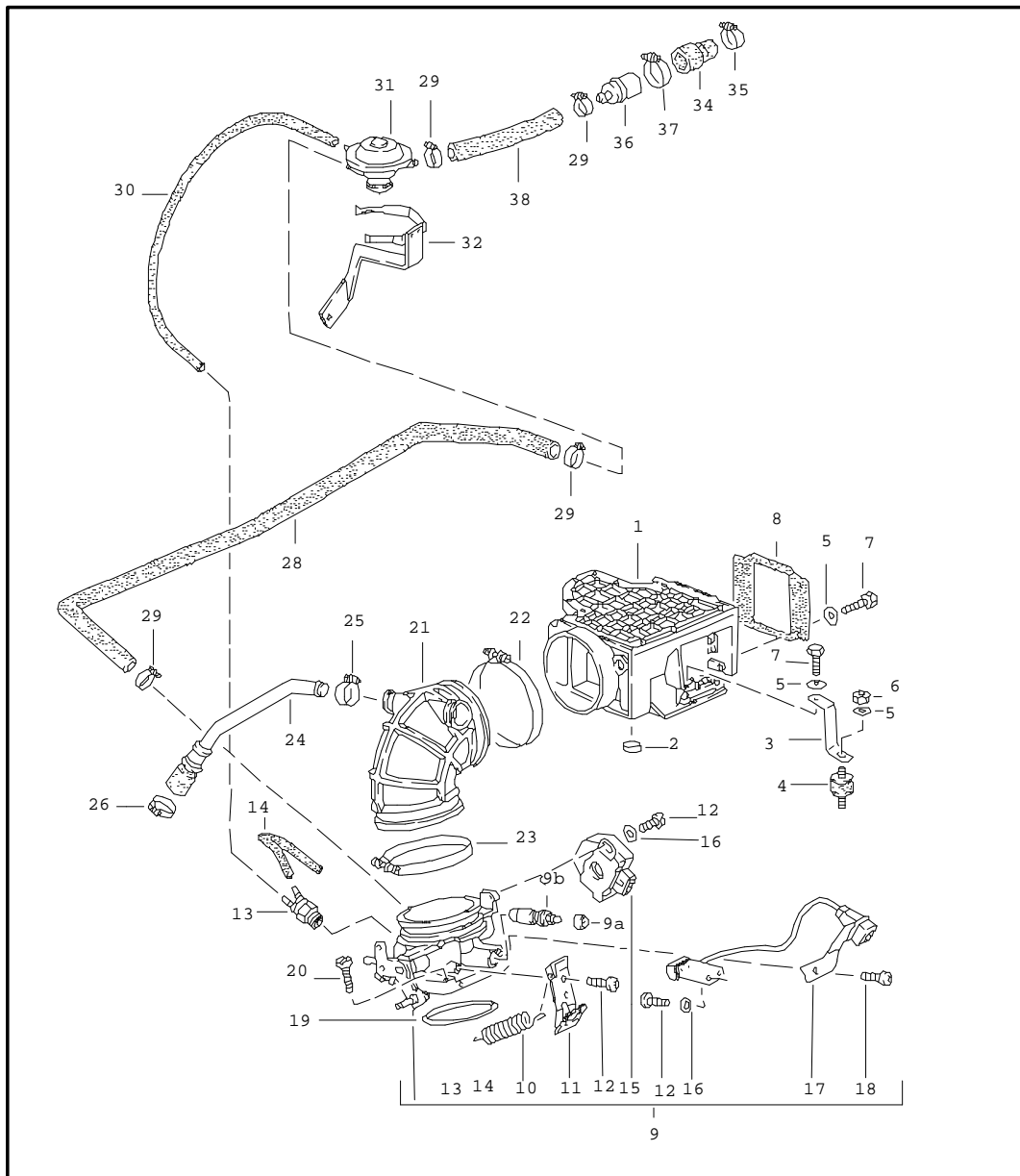
Pos	Part Number	Name	Remarks	Qty	Model
		air cleaner			930.20/25/26
1	930 110 343 01	air cleaner		1	
2	930 110 393 00	filter element		1	
3	930 110 579 01	bonded rubber buffer		2	
4	N 011 666 7	washer B6,4		2	
5	999 084 074 02	lock nut M6		2	
6	930 110 902 00	clamp		4	
7	930 110 256 00	plug		1	M 637
8	999 512 554 00	hose clamp		1	M 637
- - - E N D - - -					

Model	Year	MG	SG	Illustration	Restrictions	Update	8:31	17.08.2004	PORSCHE	PET	PORSCHE
911	89	1	06	106-05		179					



Pos	Part Number	Name	Remarks	Qty	Model
		air cleaner			930.66/68
1	930 110 020 01	air cleaner		1	
1	930 110 920 01	air cleaner		1	930.66-S M 148
2	* 930 110 122 00	sealing ring		1	
-	930 110 121 02	support ring		1	
3	930 110 436 01	spacer sleeve		2	
4	900 074 023 02	hexagon-head bolt		2	
5	N 011 524 7	washer 6,4		2	
6	930 110 185 02	air cleaner cartridge		1	
7	930 110 331 03	support		1	
8	999 084 423 02	lock nut		1	
9	900 025 007 02	washer 8,4		2	
10	N 012 241 8	spring washer B 8		2	
11	900 076 025 02	hexagon nut M 8		2	
12	999 591 369 02	locking washer		1	
13	911 106 415 01	pipe with strainer		1	
- - - E N D - - -					

Model	Year	MG	SG	Illustration	Restrictions	Update	8:31	17.08.2004	PORSCHE	PET	PORSCHE
911	89	1	07	107-00		179					



Pos	Part Number	Name	Remarks	Qty	Model
		L-JETRONIC I			930.20/25/26
1	930 606 123 00	mass air flow		1	
2	944 606 935 01	plug blue		1	
3	930 110 524 00	support		1	
4	930 110 579 01	bonded rubber buffer		1	
5	N 011 524 7	washer A6,4		10	
6	999 084 074 02	lock nut M6		1	
7	900 075 355 02	screw M 6 X 16		5	
8	928 110 201 01	sealing frame		1	
9	930 110 519 03	throttle housing		1	
9A	930 110 520 00	cap		1	
9B	930 110 919 00	throttle screw		1	
10	930 110 497 00	tension spring		1	
11	911 110 918 04	support		1	
12	900 146 011 02	oval-head screw M4X10		6	
13	930 207 231 00	thermo valve		1	
14	911 110 953 00	hose		1	
15	930 606 119 02	throttle-valve switch		1	
16	N 012 224 3	spring washer B4		4	
17	911 606 013 00	microswitch		1	
18	N 014 138 7	oval-head screw M6X10		1	
19	999 701 124 40	o-ring 67,5X4		1	
20	900 067 089 02	pan-head screw M6X25		4	

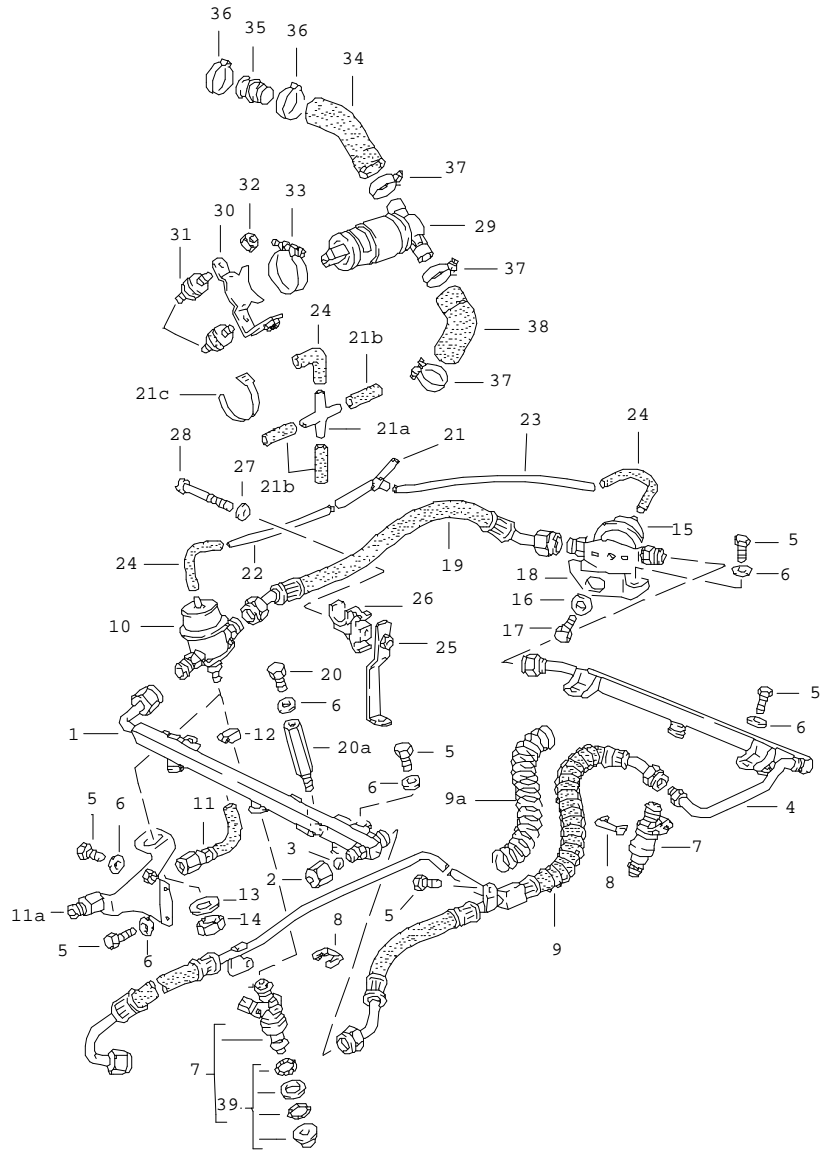
Model	Year	MG	SG	Illustration	Restrictions	Update	8:31	17.08.2004	PORSCHE	PET	PORSCHE
911	89	1	07	107-00		179					

Pos	Part Number	Name	Remarks	Qty	Model	Pos	Part Number	Name	Remarks	Qty	Model
21	930 110 356 02	air box		1		31	930 207 227 00	air valve F >>91HS1 09592 F >>91HS1 00719 F >>91HS1 40358 F >>91HS1 49563 F >>91HS1 50331 F >>91HS1 59564		1	
22	999 512 302 02	hose clamp S85/9		1							
23	999 512 359 02	hose clamp S89/12ZY		1							
24	930 110 328 05	pipeline		1		31	930 207 227 02	air valve F 91HS1 09593>> F 91HS1 00720>> F 91HS1 40359>> F 91HS1 49564>> F 91HS1 50352>> F 91HS1 59565>>		1	
25	999 512 554 00	hose clamp A9X18ZY		1							
26	N 023 565 3	hose clamp A9X21ZY		1							
28	930 207 236 00	hose F >>91HS1 09592 F >>91HS1 00719 F >>91HS1 40358 F >>91HS1 49563 F >>91HS1 50331 F >>91HS1 59564		1		32	930 207 237 00	support F >>91HS1 09592 F >>91HS1 00719 F >>91HS1 40358 F >>91HS1 49563 F >>91HS1 50331 F >>91HS1 59564		1	
28	930 207 236 01	hose F 91HS1 09593>> F 91HS1 00720>> F 91HS1 40359>> F 91HS1 49564>> F 91HS1 50352>> F 91HS1 59565>>		1		32	930 207 237 02	support F 91HS1 09593>> F 91HS1 00720>> F 91HS1 40359>> F 91HS1 49564>> F 91HS1 50352>> F 91HS1 59565>>		1	
29	N 023 569 2	hose clamp S16/9ZY		4		34	930 207 243 01	rubber sleeve		1	
29	N 023 570 2	hose clamp S15/9ZY F 91HS1 09593>> F 91HS1 00720>> F 91HS1 40359>> F 91HS1 49564>> F 91HS1 50352>> F 91HS1 59565>>		2		35	999 512 554 00	hose clamp A9X18		1	
-	999 239 010 40	hose 4 X 9		X		36	930 207 229 00	valve		1	
30	-	830MM		1		37	999 512 552 00	hose clamp S25/9ZY		1	
						38	930 207 235 00	hose F >>91HS1 09592 F >>91HS1 00719 F >>91HS1 40358 F >>91HS1 49563 F >>91HS1 50331 F >>91HS1 59564		1	

Model	Year	MG	SG	Illustration	Restrictions	Update	8:31	17.08.2004	PORSCHE	PET	PORSCHE
911	89	1	07	107-00		179					

Pos	Part Number	Name	Remarks	Qty	Model	Pos	Part Number	Name	Remarks	Qty	Model
38	930 207 235 01	hose F 91HS1 09593>> F 91HS1 00720>> F 91HS1 40359>> F 91HS1 49564>> F 91HS1 50352>> F 91HS1 59565>> - - - E N D - - -		1							

Model	Year	MG	SG	Illustration	Restrictions	Update	8:32	17.08.2004	PORSCHE	PET	PORSCHE
911	89	1	07	107-05		179					



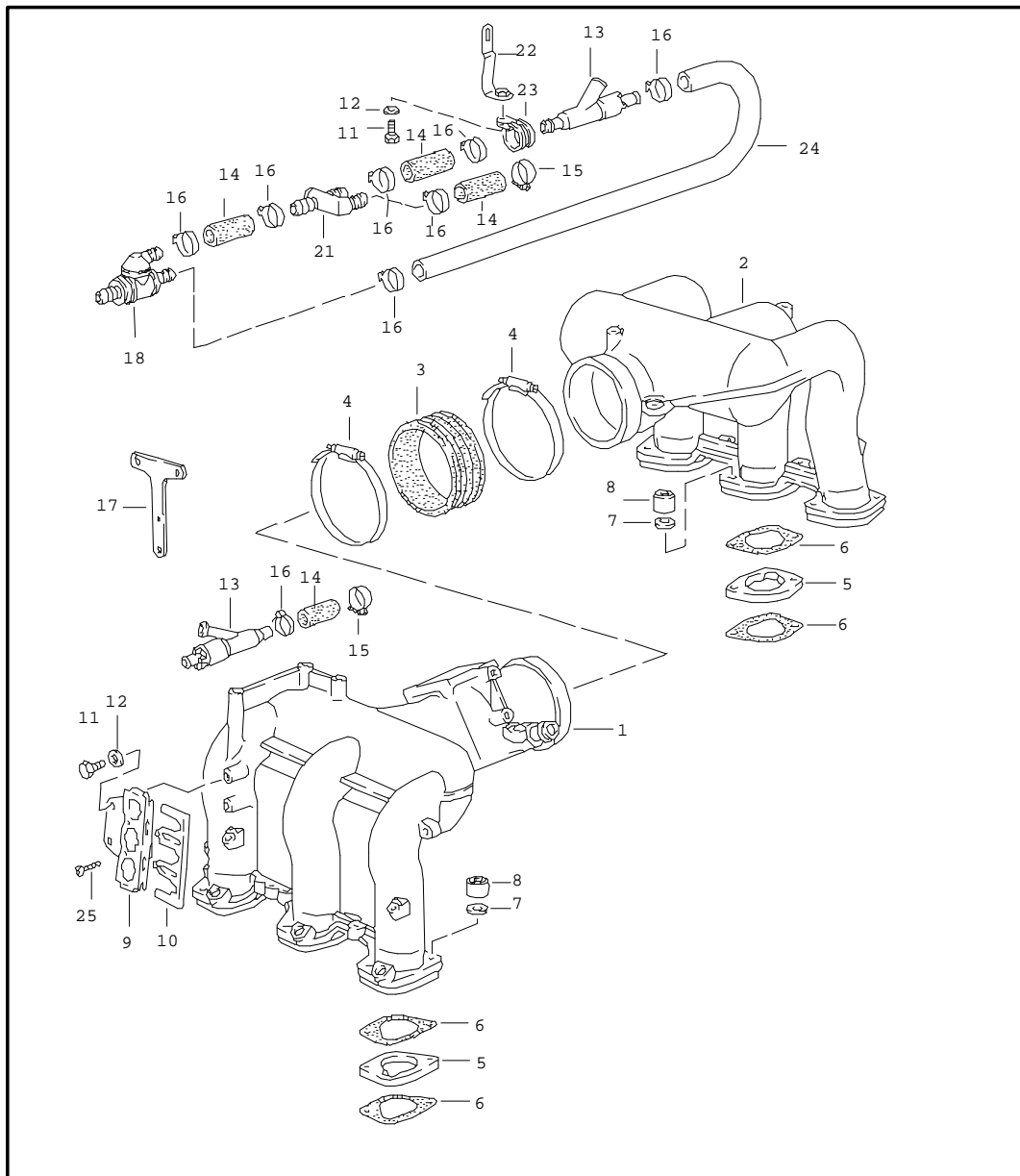
Pos	Part Number	Name	Remarks	Qty	Model
		L-JETRONIC II			930.20/25/26
1	930 110 307 04	fuel collection pipe		1	
2	928 110 475 01	cap nut		1	
3	900 108 022 00	ball 9MM		1	
4	930 110 308 04	fuel collection pipe		1	
5	900 075 355 02	screw M6X16		10	
6	N 011 524 7	washer 6,4		13	
7	930 606 120 00	injector valve		6	
8	930 110 388 00	retaining clip		6	
9	930 110 595 05	fuel line	87	1	
9	930 110 595 05	fuel line	88-	1	
-	999 521 039 40	spiral 18 X 3		X	
9A	-	345 MM		1	
10	928 110 198 01	pressure regulator		1	
11	930 110 509 01	fuel line		1	
11A	930 110 569 00	retaining bracket		1	
12	999 512 160 02	hose clamp S13/9ZY		1	
13	900 031 013 02	washer 17		1	
14	900 034 013 02	hexagon nut BM16X1,5		1	
15	930 110 602 00	diaphragm damper		1	
16	944 110 312 00	washer		1	
17	N 010 235 3	hexagon-head bolt 8 X 10		1	
18	930 110 594 00	retaining bracket		1	

Model	Year	MG	SG	Illustration	Restrictions	Update	8:32	17.08.2004	PORSCHE	PET	PORSCHE
911	89	1	07	107-05		179					

Pos	Part Number	Name	Remarks	Qty	Model	Pos	Part Number	Name	Remarks	Qty	Model
19	930 110 411 03	connecting hose		1		36	999 512 380 02	clamp		2	
20	999 072 005 09	hexagon-head bolt M6X12		1		37	999 512 237 02	hose clamp S26/9ZY		3	
20A	911 607 301 00	spacer		1	930.26	38	930 110 589 02	hose		1	
21	928 573 727 02	distributing piece		1		39	944 110 901 00	gasket set for injector valve		1	
21A	999 137 017 40	double socket KS 4		1	930.26						
-	999 239 003 40	hose 3,2 X 7		X	930.26						
21B	-	40 MM		3							
21C	999 513 021 40	tie-wrap 1,6 - 16		1	930.26						
-	N 020 139 11	pipe 4 X 1		X							
22	-	210MM		1							
23	-	380 MM		1							
24	928 574 717 02	hose		3							
25	930 110 673 00	strut		1							
26	930 110 671 00	support		1							
27	900 025 003 02	washer 5,3		1							
28	N 100 467 01	pan-head screw M5X55		1							
29	930 606 161 00	idle-speed adjuster		1							
30	930 110 597 02	retaining bracket		1							
31	930 110 579 01	bonded rubber buffer		2							
32	999 084 074 02	lock nut M6		2							
33	999 512 369 02	clip SP43/9ZY		1							
34	930 110 665 00	pipeline		1							
35	930 110 267 01	connecting socket		1							

- - - E N D - - -

Model	Year	MG	SG	Illustration	Restrictions	Update	8:32	17.08.2004	PORSCHE	PET	PORSCHE
911	89	1	07	107-10		179					

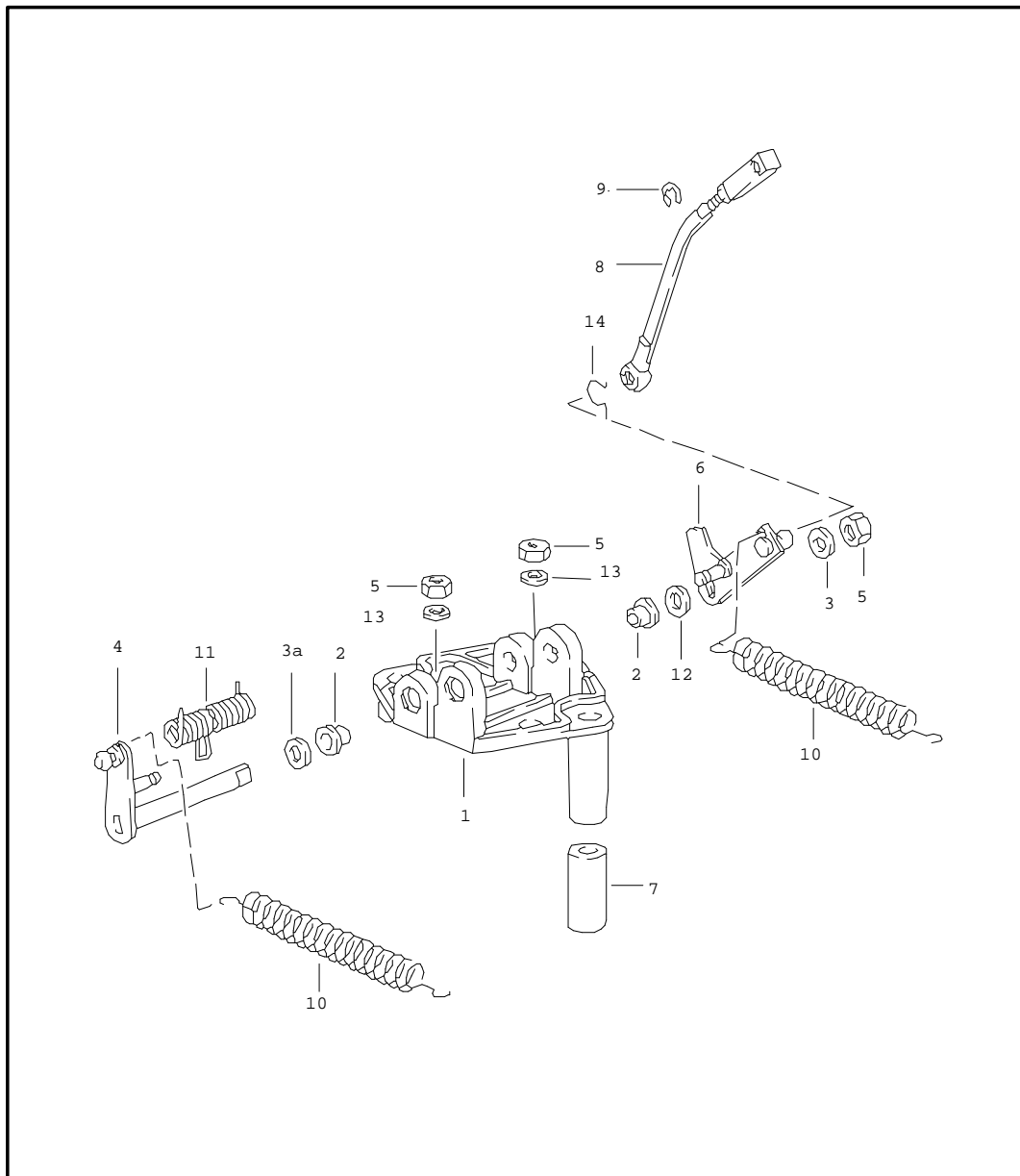


Pos	Part Number	Name	Remarks	Qty	Model
		L-JETRONIC III			930.20/25/26
1	930 110 036 03	intake distributor		1	
2	930 110 338 03	intake distributor		1	
3	930 110 573 01	rubber sleeve		1	
4	999 512 367 02	hose clamp S99/9ZY		2	
5	930 110 459 00	intermediate flange		6	
6	930 110 197 08	gasket	87	12	
6	930 110 197 14	gasket	88-	12	
7	999 025 152 02	washer 8,4		12	
8	901 111 271 00	nut		12	
9	911 606 125 01	support		1	
10	911 606 127 01	support		1	
11	999 072 005 09	hexagon-head bolt M 6 X 12		3	
12	N 011 524 7	washer A 6,4		3	
13	067 133 753 A	venturi tube		1	
-	999 181 022 51	hose 11,8 X 19		*	
14	-	45 MM		4	
15	999 512 554 00	hose clamp A 9 X 18		3	
16	A 999 512 381 02	clamp		9	
16	999 512 497 02	clamp 18,8 - 21,1		9	
17	911 606 083 00	support		1	930.26
18	930 110 667 01	check valve		1	
21	930 110 691 01	connection piece		1	
22	930 110 689 00	retaining bracket		1	

Model	Year	MG	SG	Illustration	Restrictions	Update	8:32	17.08.2004	PORSCHE	PET	PORSCHE
911	89	1	07	107-10		179					

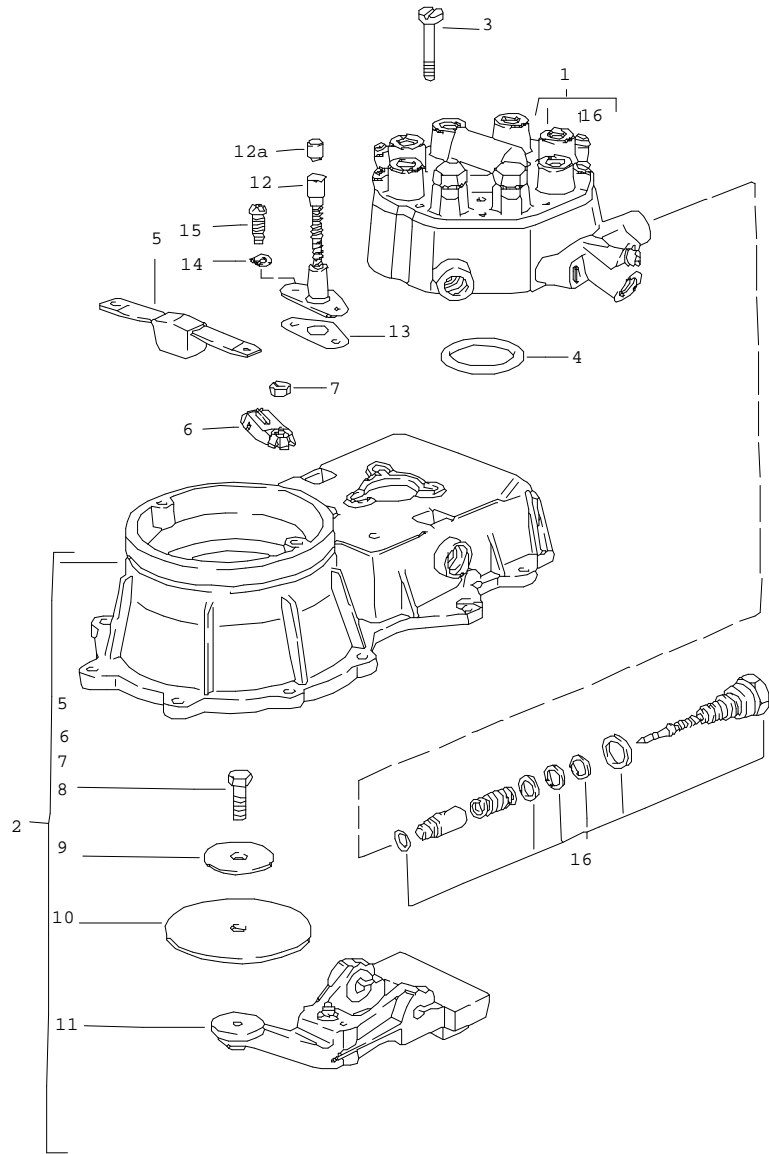
Pos	Part Number	Name	Remarks	Qty	Model	Pos	Part Number	Name	Remarks	Qty	Model
23	999 512 428 02	clamp		1							
24	999 181 068 41	hose		1							
25	N 013 953 2	tapping screw B 2,9 X 9,5		2							
		- - - E N D - - -									

Model	Year	MG	SG	Illustration	Restrictions	Update	8:32	17.08.2004	PORSCHE	PET	PORSCHE
911	89	1	07	107-12		179					



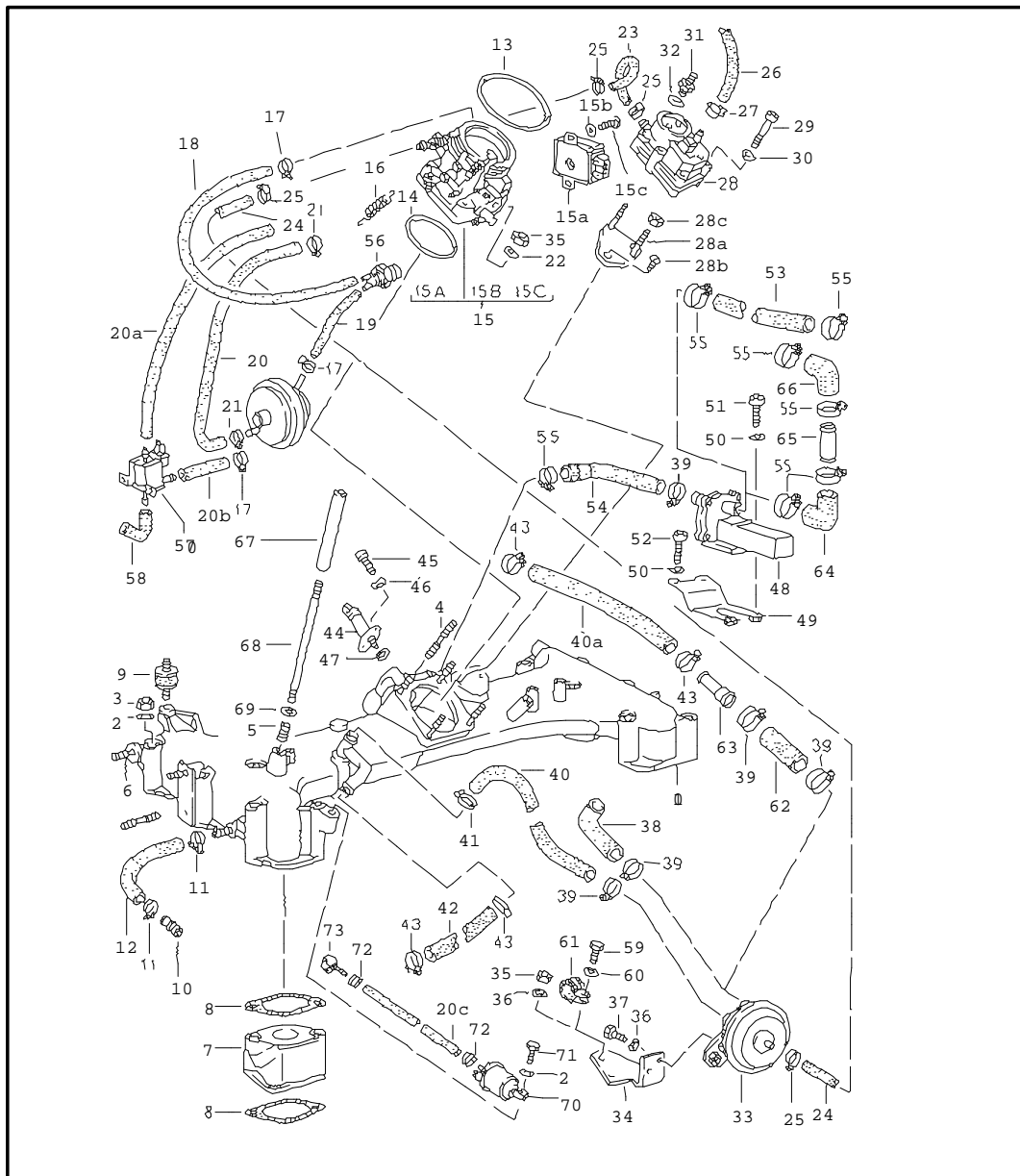
Pos	Part Number	Name	Remarks	Qty	Model
		throttle linkage bracket			
1	911 110 091 07	bracket		1	
2	999 924 069 00	bearing sleeve		2	
3	900 025 007 02	washer A 8,4		2	
3A	930 110 572 00	washer		2	
4	911 110 060 03	lever		1	930.20/25/26
4	930 110 060 06	lever		1	930.66/68
5	900 076 025 02	hexagon nut M 8		4	
(6)	911 110 110 06	lever		1	930.20/25/26
6	930 110 110 06	lever		1	930.66/68
7	901 110 236 00	spacer tube		1	
8	930 110 098 05	pull rod		1	930.20/25/26
(8)	930 110 079 06	pull rod		1	930.66/68
9	N 012 325 1	lock washer		1	
10	911 110 165 08	tension spring		2	930.20/25/26
11	930 110 148 05	spring		1	930.66/68
12	930 110 571 00	washer		1	930.20/25/26
12	930 110 571 01	washer		1	930.66/68
13	900 025 007 02	washer 8,4		1	930.66/68
14	900 169 014 02	securing clip		1	
- - - E N D - - -					

Model	Year	MG	SG	Illustration	Restrictions	Update	8:32	17.08.2004	PORSCHE	PET	PORSCHE
911	89	1	07	107-15		179					



Pos	Part Number	Name	Remarks	Qty	Model
		mixture control unit			930.66/68
1	> 930 110 909 00	fuel distributor		1	930.66
2	930 110 907 00	mass air flow		1	930.66
3	900 146 045 02	oval-head screw AM 5 X 45		3	
4	911 110 936 01	gasket		1	
5	911 110 961 00	stop		1	
6	911 110 929 00	safety contact		1	
7	911 110 945 00	hexagon nut		1	
8	911 110 944 01	hexagon-head bolt		1	
9	911 110 960 00	support washer		1	
10	911 110 943 01	air flow sensor plate		1	
11	911 110 959 00	control lever		1	
12	930 110 910 02	adjusting key		1	
13	930 110 911 00	gasket		1	
14	N 012 005 3	lock ring B 5		2	
15	N 014 128 13	oval-head screw AM 5 X 8		2	
16	928 110 920 01	parts kit pressure regulator		1	
		- - - E N D - - -			

Model	Year	MG	SG	Illustration	Restrictions	Update	8:33	17.08.2004	PORSCHE	PET	PORSCHE
911	89	1	07	107-20		179					



Pos	Part Number	Name	Remarks	Qty	Model
		K-JETRONIC I			930.66/68
1	930 110 034 00	intake manifold		1	930.66
1	930 110 934 00	intake manifold		1	930.66-S
2	N 011 525 13	washer B 8		12	M 148
3	900 076 025 02	hexagon nut M 8		12	
4	999 062 093 02	screw BM 6 X 35		4	
5	999 504 004 00	threaded insert M 8		3	
6	999 062 009 02	stud BM 8 X 28		3	
7	930 110 141 03	flange		6	
8	* 930 110 197 10	gasket		12	
9	930 110 194 00	bonded rubber buffer		3	
10	930 110 267 00	connecting socket		1	
11	999 512 554 00	hose clamp A 9 X 18		2	
-	999 239 011 40	hose 12 X 19		*	
12	-	270 MM		1	
13	* 999 701 477 40	round seal		1	
14	* 999 701 468 40	round seal 67,5 X 75,4 X 4		1	
15	930 110 250 08	throttle housing		1	930.66
16	930 110 497 00	tension spring		1	
17	999 512 361 02	hose clamp S6/7ZY		6	
-	999 239 020 40	hose red 3,2 X 7		*	
18	-	390 MM		1	

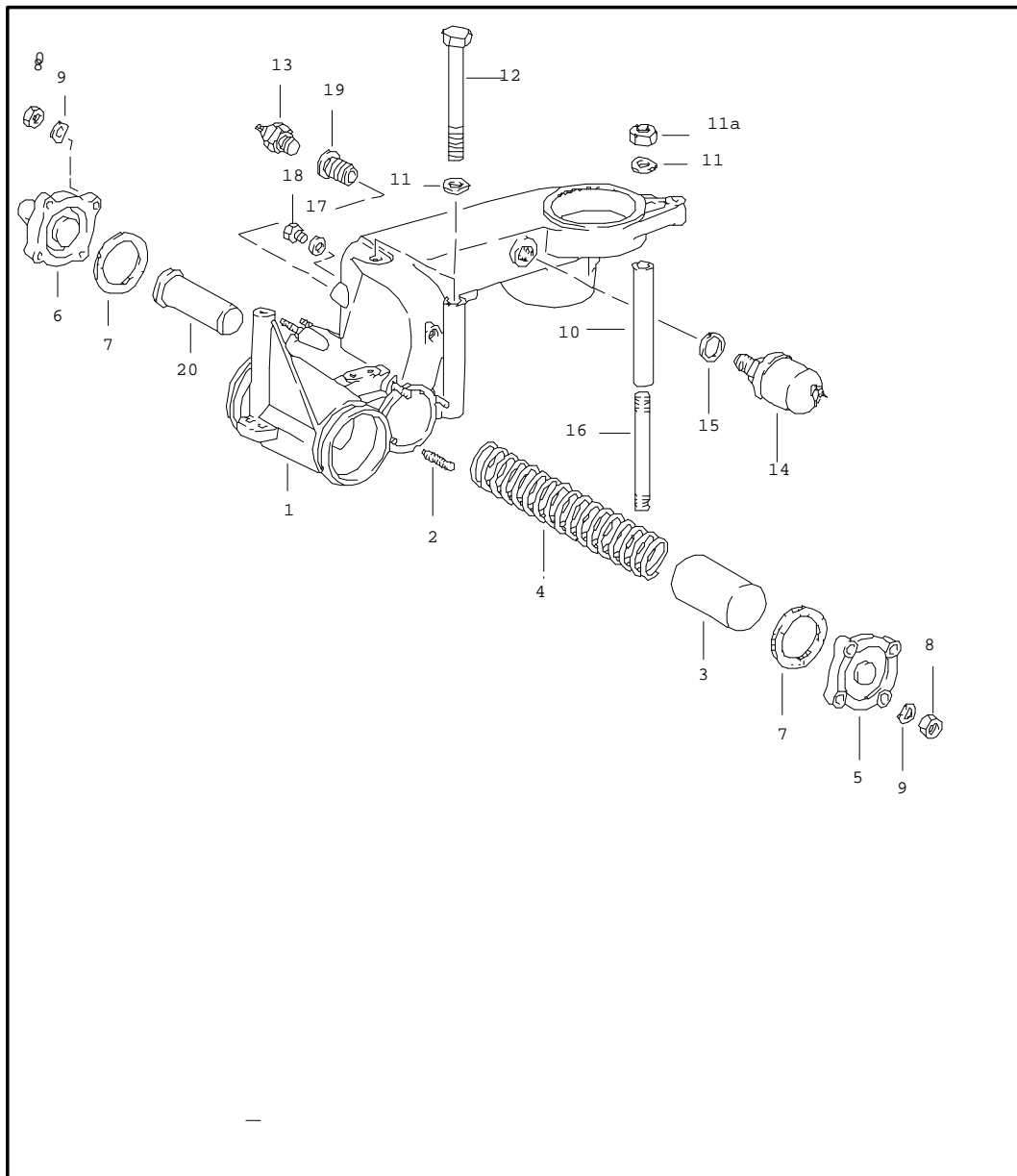
Model	Year	MG	SG	Illustration	Restrictions	Update	8:33	17.08.2004	PORSCHE	PET	PORSCHE
911	89	1	07	107-20		179					

Pos	Part Number	Name	Remarks	Qty	Model	Pos	Part Number	Name	Remarks	Qty	Model
19	-	1000 MM		1		30	N 012 226 5	spring washer A 6		2	
-	999 239 022 40	hose blue 4 X 10		*		31	900 915 004 02	connection piece		1	
20	-	575 MM		1	930.66	32	* 900 123 144 30	sealing ring A 10 X 13,5		1	
-	999 239 021 40	hose blue 3,2 X 7		*		33	930 110 173 00	vacuum limiter		1	
20C	-	270 MM		2	930.66-S M 148	34	930 110 167 00	retaining bracket		1	
21	999 512 159 02	hose clamp S9/9ZY		2	930.66	34	930 110 967 00	retaining bracket		1	930.66-S M 148
21	999 512 082 02	hose clamp 10/9		2	930.66	35	900 076 010 02	hexagon nut M 6		6	
22	N 012 226 5	spring washer B 6		4		36	N 012 226 5	spring washer B 6		4	
-	999 239 013 40	hose black 5 X 11		*		37	999 072 005 09	hexagon-head bolt M 6 X 12		2	
23	-	150 MM		1	930.66	37	N 010 215 13	hexagon-head bolt M 6 X 15		2	930.66-S M 148
24	-	405 MM 750 MM		1 1	930.66-S M 148	38	930 110 171 01	hose		1	
25	999 512 082 02	hose clamp 10/9		4		39	999 512 237 02	hose clamp 26/9		2	
-	999 239 006 40	hose black 8 X 14		*		-	999 239 007 40	hose 15 X 24		*	
26	-	120 MM		1		40	-	90 MM 500 MM 220 MM		1 1 1	930.66-S M 148 930.66-S M 148
27	999 512 160 02	hose clamp 13/9		4		41	N 024 115 1	hose clamp 9/23 ZY		2	
28	930 606 105 05	warm-up valve		1	930.66	-	999 181 284 50	hose 15 X 3,5		*	
29	N 044 703 3	pan-head screw M 6 X 45		2		42	-	300 MM		1	
29	900 119 055 02	pan-head screw M 6 X 60		2		43	999 512 346 00	hose clamp 22/9		2	
						44	930 606 107 01	electric starting valve		1	

Model	Year	MG	SG	Illustration	Restrictions	Update	8:33	17.08.2004	PORSCHE	PET	PORSCHE
911	89	1	07	107-20		179					

Pos	Part Number	Name	Remarks	Qty	Model	Pos	Part Number	Name	Remarks	Qty	Model
45	N 014 740 2	pan-head screw M 6 X 16		2		67	930 110 332 02	sleeve 105,4 MM	/L	1	930.66-S M 148
46	N 012 226 5	spring washer A 6		2		67	930 110 332 01	sleeve 99 MM	/R	1	930.66-S M 148
47	* 999 701 395 50	o-ring		1		68	930 110 538 01	stud BM 8 X 150	/L	1	930.66-S M 148
48	930 606 102 00	auxiliary air regulator		1		68	930 110 538 00	stud BM 8 X 160	/R	1	930.66-S M 148
49	930 110 229 01	support		1	930.66						
50	N 012 226 5	spring washer B 6		4		69	900 025 007 02	washer A 8,4	/L	1	930.66-S M 148
51	900 067 009 02	pan-head screw M 6 X 15		2		70	047 906 283	diverter valve		1	930.66-S M 148
52	900 067 008 02	pan-head screw M 6 X 12		2		71	900 075 087 02	hexagon-head bolt M 8 X 16		1	930.66-S M 148
53	999 239 009 40	hose		X	930.66	72	311 133 343 A	hose clamp		4	930.66-S M 148
54	930 110 335 00	air hose		1	930.66	73	911 110 382 00	ring piece		1	930.66-S M 148
55	N 024 141 2	hose clamp 9 X 31 ZY		2							
56	930 110 401 01	thermo valve		1					- - - E N D - - -		
59	900 075 017 02	hexagon-head bolt M 6 X 25		1	930.66-S M 148						
60	N 011 524 7	washer A 6,4		1	930.66-S M 148						
61	999 511 069 02	clamp 12 X 15		1	930.66-S M 148						
62	930 110 171 01	hose it is necessary to rework		1	930.66-S M 148						
63	930 110 535 00	connecting tube		1	930.66-S M 148						
64	931 110 181 01	hose		1	930.66-S M 148						
65	930 110 536 00	connecting tube		1	930.66-S M 148						
66	931 110 183 01	hose		1	930.66-S M 148						

Model	Year	MG	SG	Illustration	Restrictions	Update	8:33	17.08.2004	PORSCHE	PET	PORSCHE
911	89	1	07	107-30		179					

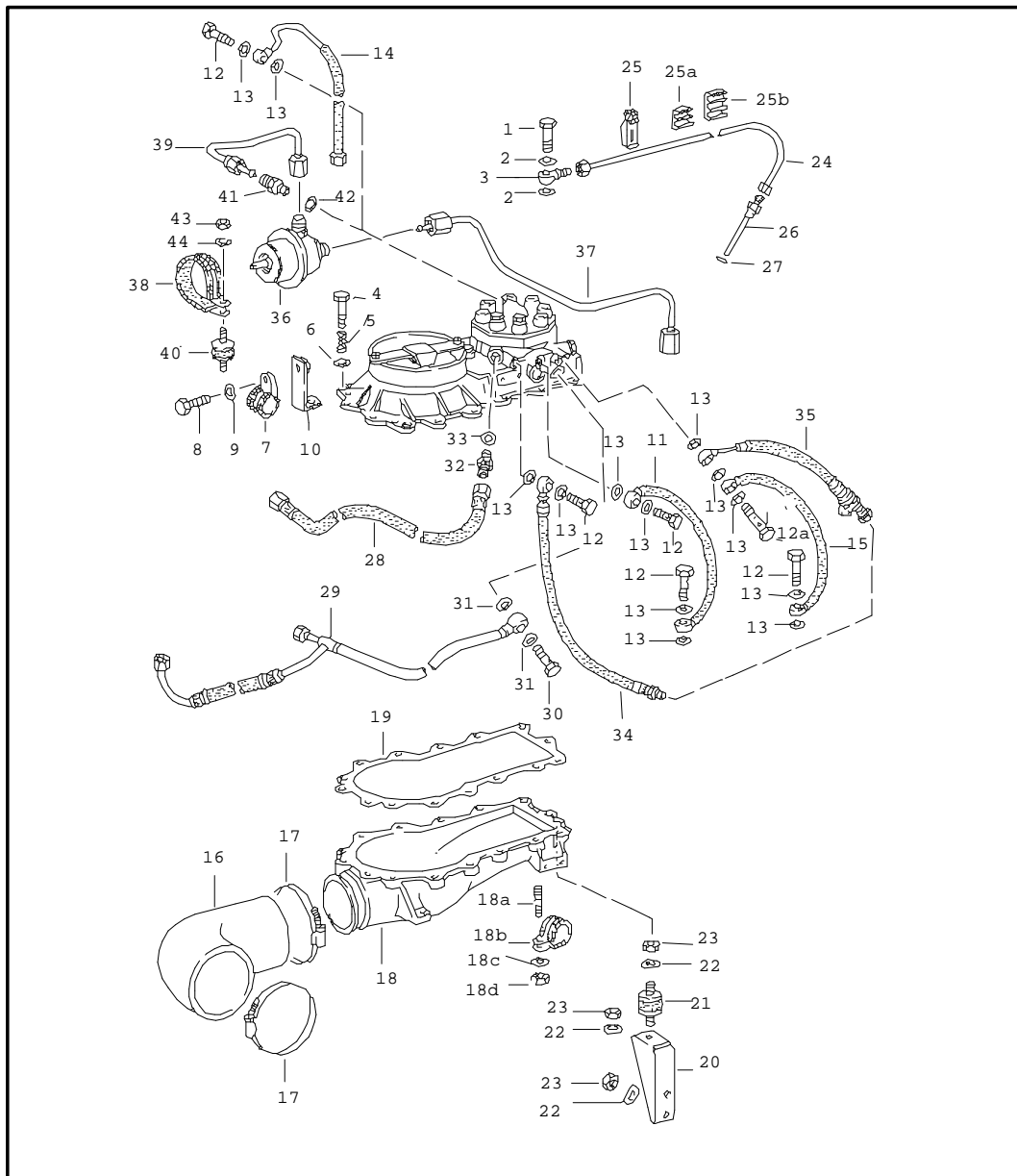


Pos	Part Number	Name	Remarks	Qty	Model
		K-JETRONIC II			930.66/68
1	930 110 018 03	valve housing		1	
2	999 062 127 02	stud M 6 X 25		8	
-	999 062 001 02	stud M 6 X 10		2	
-	999 504 004 00	threaded insert M 8 X 2 D		2	
-	999 504 116 00	threaded insert M 10 X 1 X 1 D		1	
-	999 504 117 00	threaded insert M 18 X 1,5 X 0,50		1	
3	930 110 151 00	piston		1	
4	930 110 157 00	compression spring		1	
5	930 110 156 06	cover		1	
6	930 110 056 02	cover		1	
7	* 930 110 149 00	gasket		2	
8	900 076 010 02	hexagon nut M 6		8	
9	N 011 524 7	washer A 6,4		8	
10	930 110 332 00	spacer tube		1	
11	N 012 241 8	spring washer B 8		3	
11A	900 076 025 02	hexagon nut M 8		1	
12	900 074 264 02	hexagon-head bolt M 8 X 135		2	
13	930 606 101 00	switch boost pressure		1	
14	993 606 103 00	pressure transmitter boost pressure		1	
15	* 900 123 106 30	sealing ring A 18 X 24		1	

Model	Year	MG	SG	Illustration	Restrictions	Update	8:33	17.08.2004	PORSCHE	PET	PORSCHE
911	89	1	07	107-30		179					

Pos	Part Number	Name	Remarks	Qty	Model	Pos	Part Number	Name	Remarks	Qty	Model
16	999 062 234 02	stud BM 8 X 135		1							
19	930 110 367 01	threaded insert M 10 X 1 X 1D		1							
20	930 110 160 00	spring guide		1							
		- - - E N D - - -									

Model	Year	MG	SG	Illustration	Restrictions	Update	8:33	17.08.2004	PORSCHE	PET	PORSCHE
911	89	1	07	107-35		179					

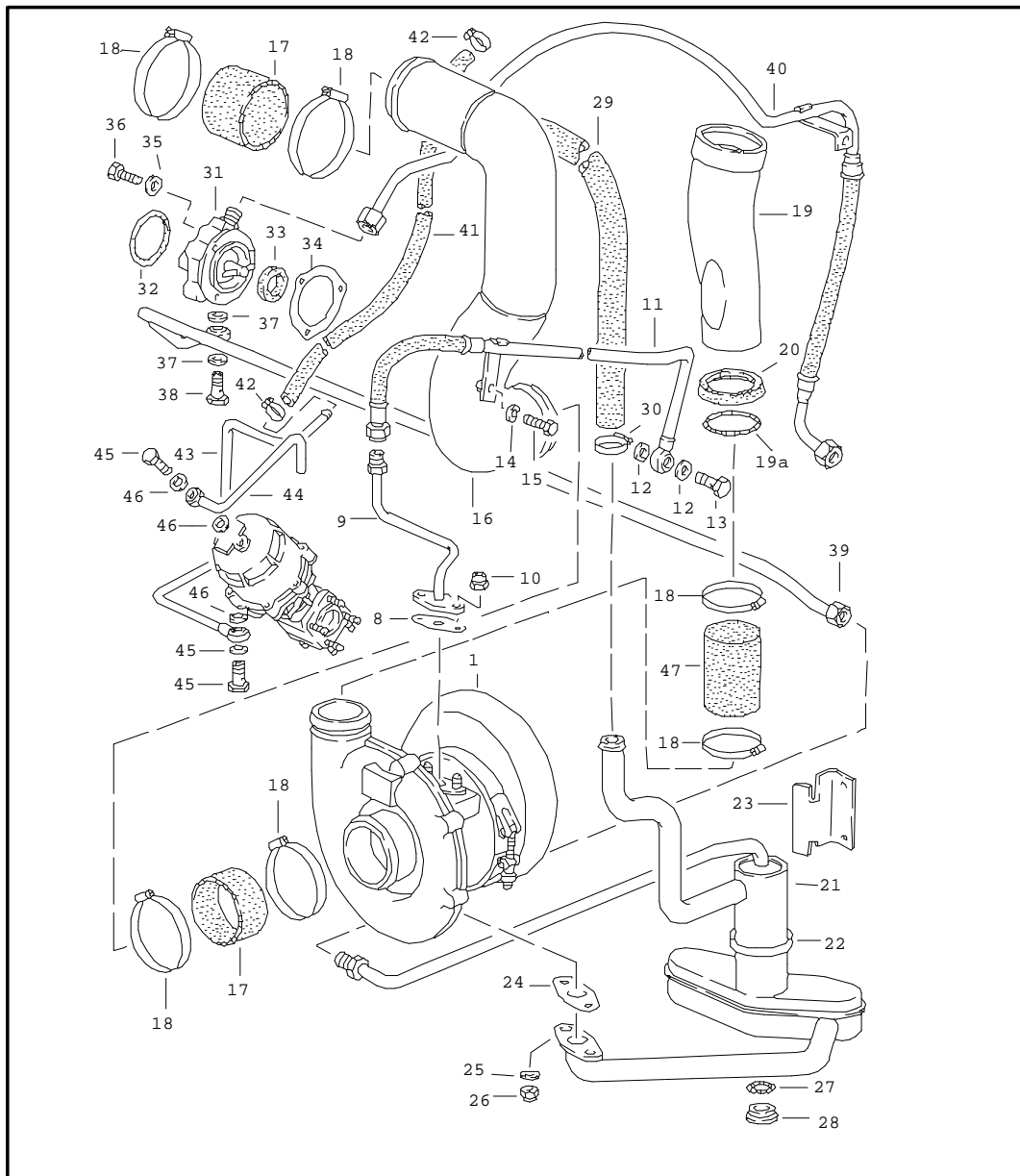


Pos	Part Number	Name	Remarks	Qty	Model
		K-JETRONIC III			930.66/68
1	930 110 547 00	banjo bolt		6	
2	* 900 123 144 30	sealing ring A 10 X 13,5		12	
3	999 215 002 02	ring piece		6	
4	900 067 011 02	pan-head screw M 6 X 20		4	
4	900 067 089 02	pan-head screw M 6 X 25		10	
4	900 075 341 02	screw M 6 X 25		1	
5	911 110 364 00	compression spring		11	
6	N 012 226 5	spring washer B 6		15	
7	999 511 085 02	clamp		1	
8	900 075 057 02	hexagon-head bolt M 6 X 16		1	
9	N 012 226 5	spring washer B 6		1	
10	930 110 434 01	clip		1	
11	930 110 303 01	fuel line intake start valve		1	
12	911 110 899 00	banjo bolt A 2/3		6	
13	* 900 123 115 30	sealing ring A 8 X 11,5		13	
14	930 110 302 01	fuel line intake warm-up valve		1	
15	930 110 305 02	fuel line return warm-up valve		1	
16	930 110 137 02	hose elbow		1	
17	999 512 350 02	hose clamp		2	

Model	Year	MG	SG	Illustration	Restrictions	Update	8:33	17.08.2004	PORSCHE	PET	PORSCHE
911	89	1	07	107-35		179					

Pos	Part Number	Name	Remarks	Qty	Model	Pos	Part Number	Name	Remarks	Qty	Model
18	930 110 035 04	lower part		1		31	* 900 123 101 30	sealing ring A 12 X 18		2	
-	999 062 022 02	stud M 8 X 12		2		32	N 020 704 2	connection piece		1	
19	* 930 110 394 00	gasket		1		33	* 900 123 116 30	sealing ring A 12 X 15,5		1	
20	930 110 133 00	retaining bracket		1		36	928 110 231 02	diaphragm damper		1	930.66-S M 148
21	930 110 194 00	bonded rubber buffer		3		37	930 110 302 03	fuel line		1	930.66-S M 148
22	N 012 241 8	spring washer B 8		7		38	999 511 132 02	clamp 38 X 15		1	930.66-S M 148
23	900 076 025 02	hexagon nut M 8		7		39	930 110 302 02	fuel line		1	930.66-S M 148
24	930 110 041 02	injection line cylinder 1		1	930.66	40	931 110 191 00	bonded rubber buffer		1	930.66-S M 148
24	930 110 042 02	injection line cylinder 2		1	930.66	41	928 110 223 03	union		1	930.66-S M 148
24	930 110 043 02	injection line cyl. 3		1	930.66	42	900 123 115 30	sealing ring A 8 X 11,5		2	930.66-S M 148
24	930 110 044 01	injection line cyl. 4		1	930.66	43	900 076 010 02	hexagon nut M 6		2	930.66-S M 148
24	930 110 045 02	injection line cylinder 5		1	930.66	44	N 012 226 5	spring washer B 6		2	930.66-S M 148
24	930 110 046 02	injection line cyl. 6		1	930.66			- - - E N D - - -			
25	930 110 606 01	clip double		1	930.66						
25	930 110 607 01	clip triple		3	930.66						
26	930 110 225 02	injector valve		6	930.66						
27	* 900 123 144 30	sealing ring A 10 X 13,5		6							
28	930 110 301 05	fuel line intake		1							
29	930 110 304 03	fuel line return		1							
30	N 021 071 2	banjo bolt		1							

Model	Year	MG	SG	Illustration	Restrictions	Update	8:33	17.08.2004	PORSCHE	PET	PORSCHE
911	89	1	07	107-40		179					

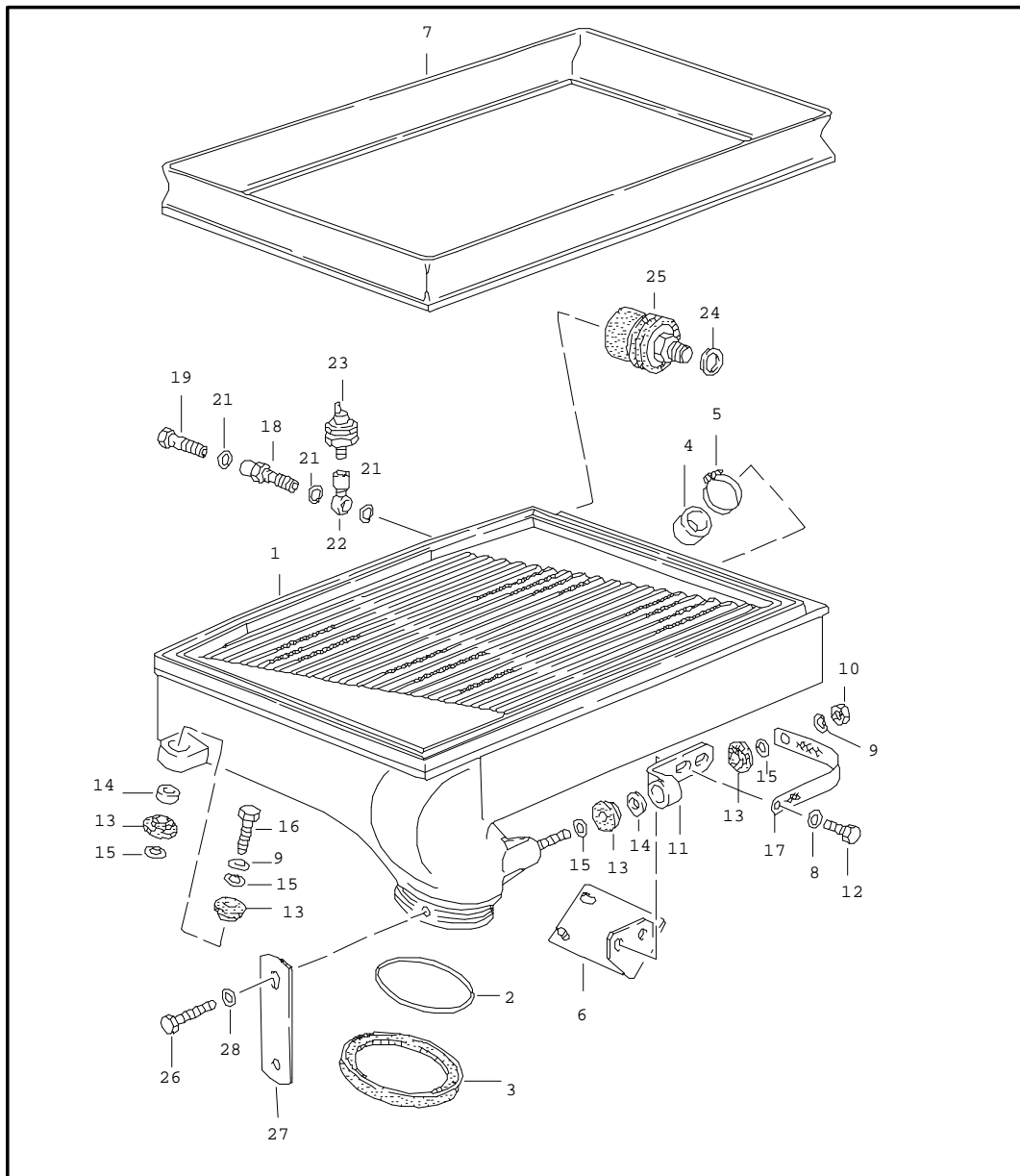


Pos	Part Number	Name	Remarks	Qty	Model
		turbocharging			930.66/68
1		turbocharger see group 2/02/16			
8	* 930 107 123 01	gasket		1	
9	930 107 124 01	oil pipe		1	
10	999 084 052 02	lock nut M 8		2	
11	930 107 125 03	oil pipe		1	
12	* 900 123 007 30	sealing ring A 14 X 18		2	
13	930 107 706 00	banjo bolt		1	
14	N 012 226 5	spring washer B 6		1	
15	999 072 005 09	hexagon-head bolt M 6 X 12		1	
16	930 110 165 02	intake pipe		1	
16	930 110 165 03	intake pipe		1	930.66-S M 148
17	930 110 158 01	rubber sleeve		2	
17	930 110 363 00	rubber sleeve		1	930.66-S M 148
18	999 512 351 02	hose clamp		4	
19	930 110 192 01	pressure line		1	
19	930 110 192 04	pressure line		1	930.66-S M 148
19A	* 999 701 473 40	round seal		1	
20	* 930 110 230 00	sealing ring		1	
21	930 107 001 07	oil collection container		1	
22	999 512 341 02	clip		2	
23	930 107 113 01	retaining bracket		1	
24	930 107 116 01	gasket		1	

Model	Year	MG	SG	Illustration	Restrictions	Update	8:33	17.08.2004	PORSCHE	PET	PORSCHE
911	89	1	07	107-40		179					

Pos	Part Number	Name	Remarks	Qty	Model	Pos	Part Number	Name	Remarks	Qty	Model
24	* 930 107 116 01	gasket	88-	1		42	999 512 160 02	hose clamp		2	
25	N 012 241 8	spring washer B 8		2		43	930 123 053 01	control line		1	
26	999 084 052 02	lock nut M 8		2		44	930 123 043 04	vent line		1	
27	* 900 123 055 30	sealing ring A 12 X 17		1		45	900 175 020 02	banjo bolt		2	
28	900 219 006 02	screw plug M 12 X 1,5		1		46	* 900 123 043 30	sealing ring A 12 X 15,5		4	
29	930 107 394 02	connecting hose		1		47	930 110 158 04	rubber sleeve		1	930.66-S M 148
29	000 043 204 95	hose 500 MM		X	930.66-S M 148			- - - E N D - - -			
30	999 512 252 02	hose clamp		2							
31	964 107 005 21	oil pump		1							
32	* 999 707 289 40	round seal 47 X 2		1							
33	* 999 113 246 40	radial sealing ring		1							
34	930 105 197 05	gasket	87	1							
34	* 930 105 197 05	gasket	88-	1							
35	N 012 226 5	spring washer B 6		3							
36	900 074 111 02	hexagon-head bolt M 6 X 50		3							
37	* 900 123 018 30	sealing ring A 16 X 20		2							
38	900 175 005 02	banjo bolt		1							
39	930 107 338 00	oil pipe		1							
40	930 107 336 03	oil pipe		1							
-	999 239 006 40	hose 8 X 14		*							
41	-	380 MM		1							
41	-	450 MM		1	930.66-S M 148						

Model	Year	MG	SG	Illustration	Restrictions	Update	8:33	17.08.2004	PORSCHE	PET	PORSCHE
911	89	1	07	107-45		179					

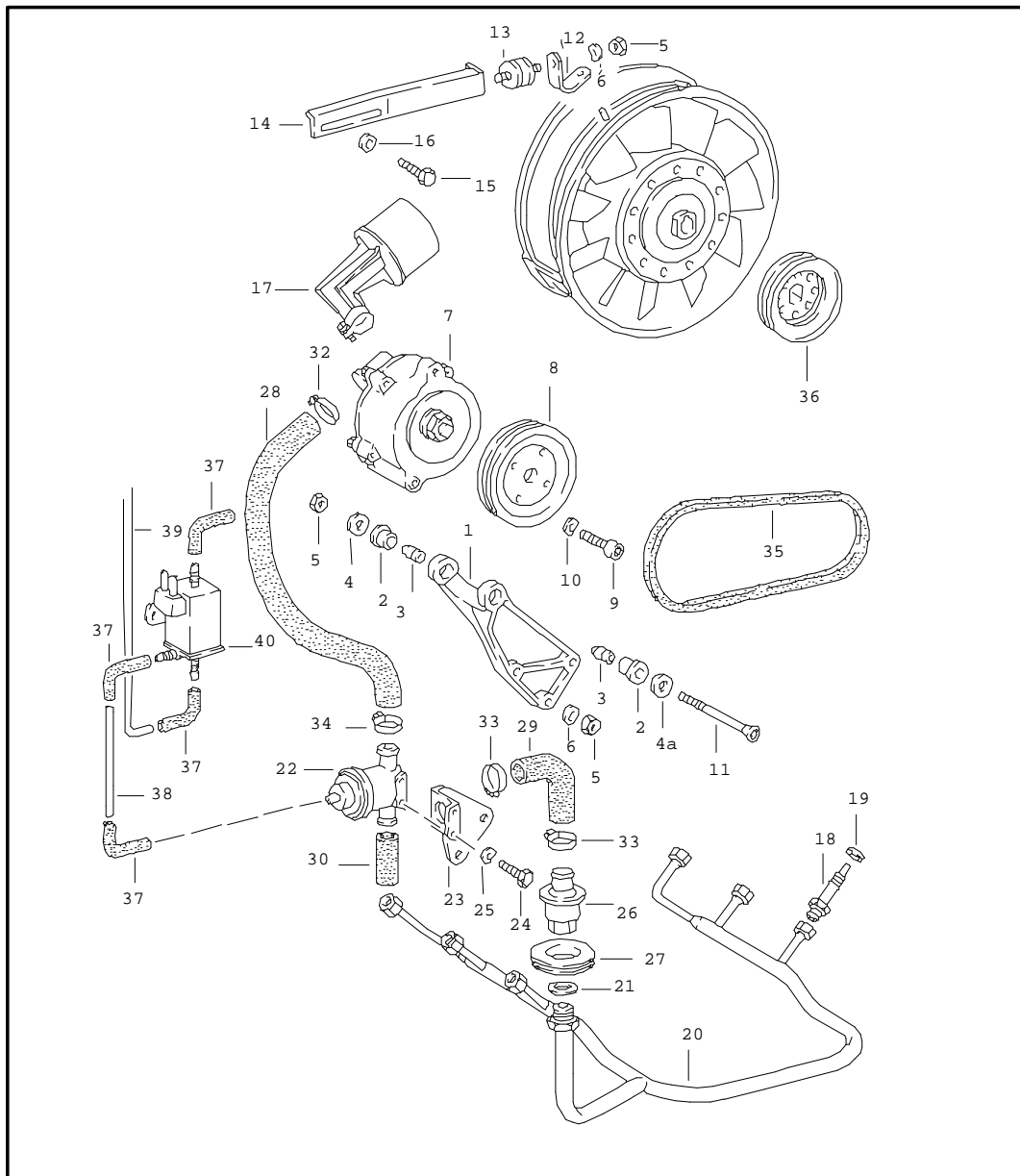


Pos	Part Number	Name	Remarks	Qty	Model
		charge air cooler			930.66/68
1	930 110 233 07	charge air cooler		1	
1	930 110 233 05	charge air cooler		1	930.66-S M 148
2	* 999 701 469 40	round seal		3	
3	* 930 110 379 00	sealing ring		1	
4	930 110 256 01	cap		1	
5	999 512 045 02	hose clamp		1	
6	930 110 224 01	mounting plate		1	
6	930 110 925 00	mounting plate		1	930.66-S M 148
7	930 110 285 01	gasket		1	
7	930 110 285 02	gasket		1	930.66-S M 148
8	900 025 007 02	washer B 8,4		4	
9	N 012 241 8	spring washer B 8		7	
10	900 076 025 02	hexagon nut M 8		3	
11	930 110 223 02	support		1	
12	900 075 087 02	hexagon-head bolt M 8 X 16		2	
12	900 075 085 02	hexagon-head bolt M 8 X 20		2	930.66-S M 148
13	930 113 430 00	rubber mounting		6	
14	930 110 232 00	spacer sleeve		3	
15	900 151 008 02	washer 8,4		6	
16	900 074 134 02	hexagon-head bolt M 8 X 45		2	
17	901 612 110 00	ground strap		1	930.66-S M 148

Model	Year	MG	SG	Illustration	Restrictions	Update	8:33	17.08.2004	PORSCHE	PET	PORSCHE
911	89	1	07	107-45		179					

Pos	Part Number	Name	Remarks	Qty	Model	Pos	Part Number	Name	Remarks	Qty	Model
18	999 135 002 02	screw socket		1	930.66-S M 148						
19	930 110 547 00	banjo bolt		1	930.66-S M 148						
21	N 013 806 2	sealing ring A 10 X 14		2	930.66-S M 148						
22	999 215 027 02	socket piece M 10 X 1		1	930.66-S M 148						
23	930 606 101 00	switch boost pressure		1	930.66-S M 148						
24	900 123 106 30	sealing ring A 18 X 24		1	930.66-S M 148						
25	993 606 103 00	pressure transmitter boost pressure		1	930.66-S M 148						
26	N 010 215 13	hexagon-head bolt M 6 X 15	8	2	930.66-S M 148						
27	930 110 961 00	support		1	930.66-S M 148						
28	N 011 524 7	washer A 6,4		1	930.66-S M 148						
-	930 110 234 02	air duct	/L	1	(D)						
-	930 110 234 03	air duct		1	(D)						
		- - - E N D - - -									

Model	Year	MG	SG	Illustration	Restrictions	Update	8:33	17.08.2004	PORSCHE	PET	PORSCHE
911	89	1	08	108-00		179					

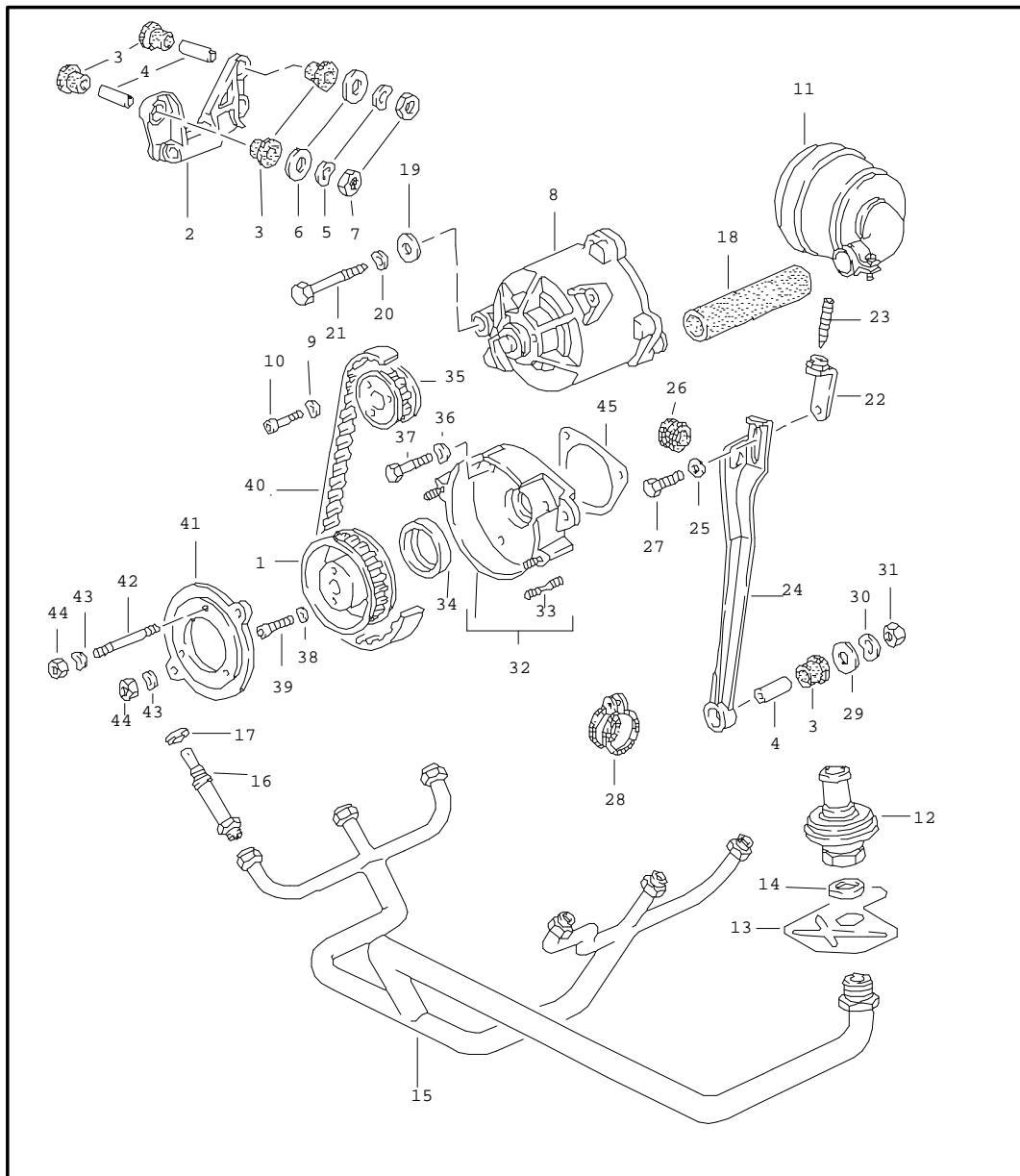


Pos	Part Number	Name	Remarks	Qty	Model
		air injection			930.26
1	911 113 113 02	bracket		1	
2	911 113 121 00	rubber mounting		2	
3	911 113 122 00	spacer sleeve		2	
4	900 151 008 02	washer B 8,4		1	
4A	911 113 162 00	washer		1	
5	900 076 025 02	hexagon nut M 8		7	
6	900 025 007 02	washer A 8,4		4	
7	930 113 122 00	air pump		1	
8	930 113 158 00	pulley		1	
9	900 067 008 02	pan-head screw M 6 X 12		4	
10	N 012 226 5	spring washer A 6		4	
11	900 249 006 02	countersunk-head screw M 8 X 120		1	
12	911 113 126 02	retaining bracket		1	
13	930 110 194 00	bonded rubber buffer		2	
14	911 113 125 02	support		1	
15	900 075 085 02	hexagon-head bolt M 8 X 20		1	
16	900 223 001 02	washer 8,4		1	
17	911 113 117 02	air cleaner		1	
18	911 113 145 02	union		6	
19	900 123 033 20	sealing ring A 10 X 13,5 CU		6	
20	911 113 043 02	air tube		1	

Model	Year	MG	SG	Illustration	Restrictions	Update	8:33	17.08.2004	PORSCHE	PET	PORSCHE
911	89	1	08	108-00		179					

Pos	Part Number	Name	Remarks	Qty	Model	Pos	Part Number	Name	Remarks	Qty	Model
21	900 123 060 30	sealing ring A 24 X 29		1							
22	930 113 147 01	diverter valve		1							
23	930 113 146 01	support		1							
24	999 072 005 09	hexagon-head bolt M 6 X 12		2							
25	N 011 524 7	washer 6,4		2							
26	911 113 115 01	check valve		1							
27	911 113 146 00	gasket		1							
28	930 113 138 03	hose		1							
29	930 113 137 01	hose		1							
30	930 113 139 02	hose		1							
32	999 512 038 02	hose clamp S27/9		1							
33	999 512 237 02	hose clamp S26/9		1							
34	999 512 296 02	hose clamp S25/7		2							
35	900 192 005 50	narrow v-belt 9,5 X 975		1							
36	911 106 208 00	pulley		1							
37	928 574 717 02	hose		4							
-	N 020 139 11	pipe 4 X 1		X							
38	-	500 MM		1							
39	-	400 MM		1							
40	911 618 123 00	change-over valve electric		1							
		- - - E N D - - -									

Model	Year	MG	SG	Illustration	Restrictions	Update	8:35	17.08.2004	PORSCHE	PET	PORSCHE
911	89	1	08	108-05		179					

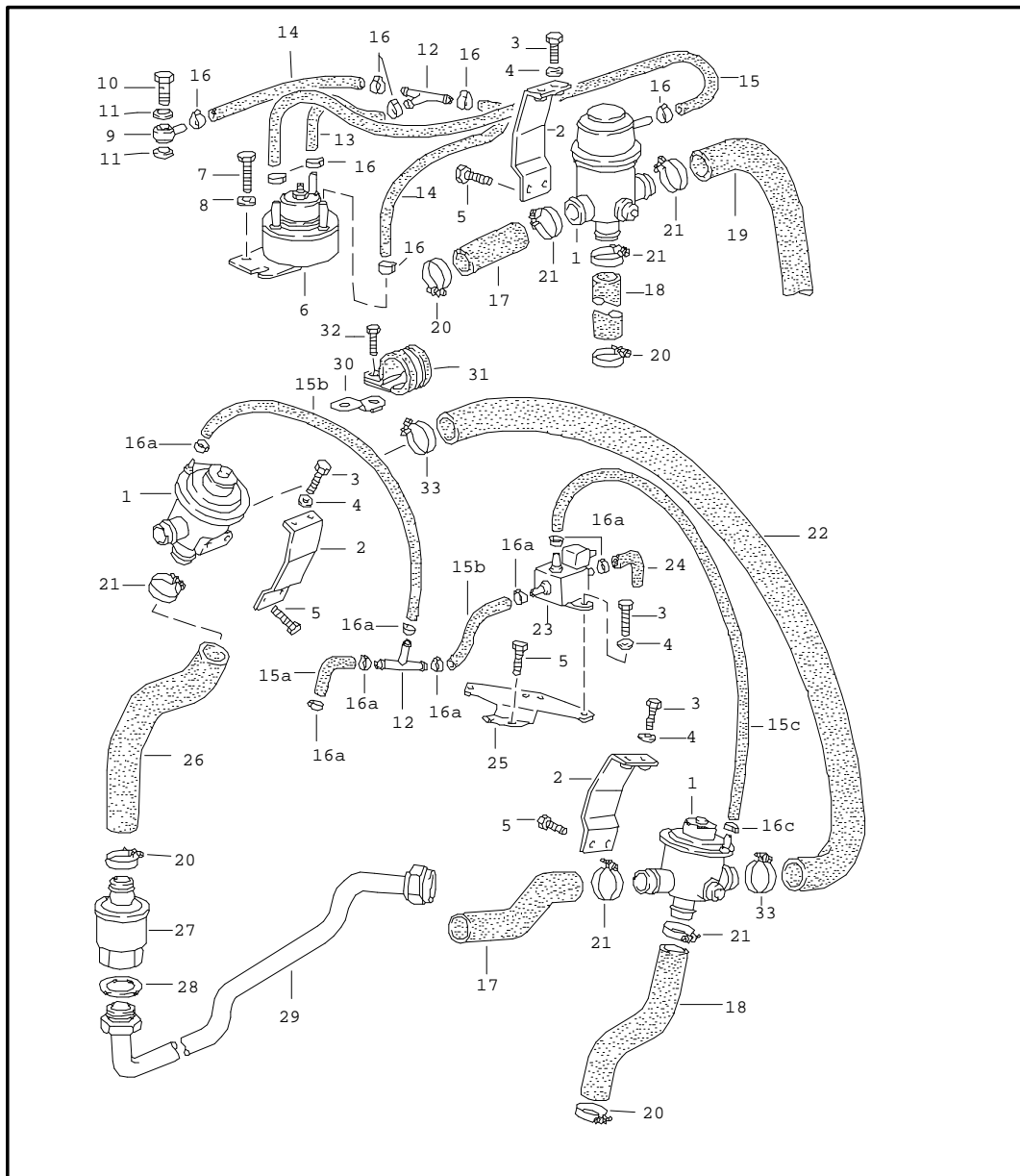


Pos	Part Number	Name	Remarks	Qty	Model
		air injection			930.66/68
1	930 113 025 02	pulley		1	
2	930 113 159 02	bracket		1	
3	930 113 161 00	rubber mounting		8	
4	930 113 163 00	spacer sleeve		4	
5	900 025 007 02	washer B 8		3	
6	900 151 008 02	washer B 8,4		3	
7	900 076 025 02	hexagon nut M 8		3	
8	930 113 114 01	air pump		1	
9	N 011 524 7	washer A 6,4		3	
10	900 067 089 02	pan-head screw M 6 X 25		3	
11	930 113 120 01	air cleaner		1	
-	930 113 401 00	filter cartridge		1	
12	911 113 115 01	check valve		1	
13	930 113 135 01	cover plate		1	
14	900 123 060 30	sealing ring A 24 X 29		2	
15	930 113 043 02	air tube		1	
16	911 113 145 02	union		6	
17	900 123 033 20	sealing ring A 10 X 13,5 C 4		6	
18	999 239 004 40	breather hose		1	
19	900 025 007 02	washer B 8,4		2	
20	N 012 241 8	spring washer B 8		1	

Model	Year	MG	SG	Illustration	Restrictions	Update	8:35	17.08.2004	PORSCHE	PET	PORSCHE
911	89	1	08	108-05		179					

Pos	Part Number	Name	Remarks	Qty	Model	Pos	Part Number	Name	Remarks	Qty	Model
21	N 010 391 4	hexagon-head bolt M 8 X 100		1		39	900 067 013 02	pan-head screw M 6 X 35		2	
22	930 113 187 01	bracket		1		40	999 192 131 50	toothed belt		1	
23	900 068 004 02	threaded pin M 8 X 45		1		41	930 113 033 02	cover		1	
24	930 113 171 01	support		1		42	999 062 123 02	stud BM 6 X 45		3	
25	900 025 007 02	washer B 8,4		1		43	N 011 524 7	washer A 6,4		5	
26	999 702 170 50	grommet	88-	1		44	900 076 010 02	hexagon nut M 6		5	
27	N 010 247 7	hexagon-head bolt M 8 X 35	87	1		45	930 105 197 03	gasket		1	
27	900 075 099 02	hexagon-head bolt M 8 X 30	88-	1				- - - E N D - - -			
28	N 020 607 1	clamp 20/20	87	1							
29	900 151 008 02	washer B 8,4		1							
30	N 012 241 8	spring washer B 8		1							
31	900 076 025 02	hexagon nut M 8		1							
32	930 113 031 04	intermediate flange		1							
33	999 062 055 02	stud BM 6 X 12		2							
33	999 062 009 02	stud BM 8 X 28		1							
34	999 113 464 40	shaft seal		1							
35	930 113 017 06	gear wheel		1							
36	N 011 524 7	washer A 6,4		3							
37	900 075 057 02	hexagon-head bolt M 6 X 16		3							
38	N 011 524 7	washer A 6,4		2							

Model	Year	MG	SG	Illustration	Restrictions	Update	8:35	17.08.2004	PORSCHE	PET	PORSCHE
911	89	1	08	108-07		179					

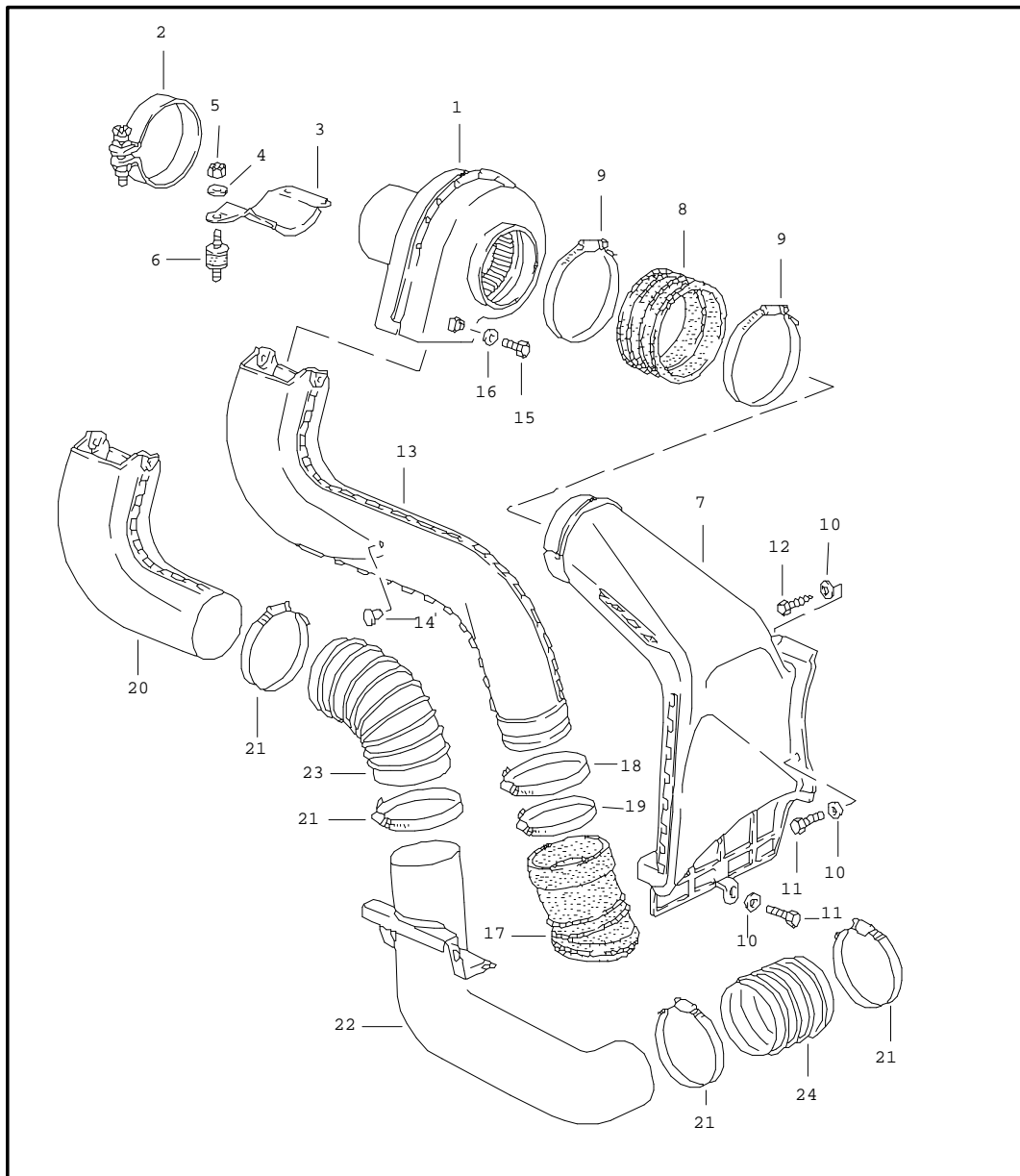


Pos	Part Number	Name	Remarks	Qty	Model
		air injection			930.66/68
1	930 113 127 00	diverter valve		1	930.66
2	930 113 112 00	retaining bracket		2	
3	N 010 217 9	hexagon-head bolt M 6 X 20		6	
4	N 011 524 7	washer A 6,4		8	
5	999 143 004 08	locking screw M 6 X 12		6	
6	930 113 126 02	control valve		1	930.66
7	999 072 005 09	hexagon-head bolt M 6 X 12		2	930.66
8	N 012 226 5	spring washer B 6		2	930.66
9	911 110 382 00	ring piece		1	930.66
10	N 021 053 2	banjo bolt		1	930.66
11	900 123 144 30	sealing ring A 10 X 35		2	930.66
12	999 137 004 40	t-socket		1	
-	999 239 014 40	hose 3,5 X 8,5		*	
13	-	60 MM		1	930.66
14	-	75 MM		2	
15	-	270 MM		2	
16	311 133 343 A	hose clamp		8	
17	930 113 118 01	hose		1	
18	930 113 181 00	hose		1	
19	930 113 182 00	hose		1	930.66
20	999 512 038 02	hose clamp S 28/9 ZY		2	
21	999 512 237 02	hose clamp S 26/9		5	

Model	Year	MG	SG	Illustration	Restrictions	Update	8:35	17.08.2004	PORSCHE	PET	PORSCHE
911	89	1	08	108-07		179					

Pos	Part Number	Name	Remarks	Qty	Model	Pos	Part Number	Name	Remarks	Qty	Model
		- - - E N D - - -									

Model	Year	MG	SG	Illustration	Restrictions	Update	8:36	17.08.2004	PORSCHE	PET	PORSCHE
911	89	1	08	108-10		179					

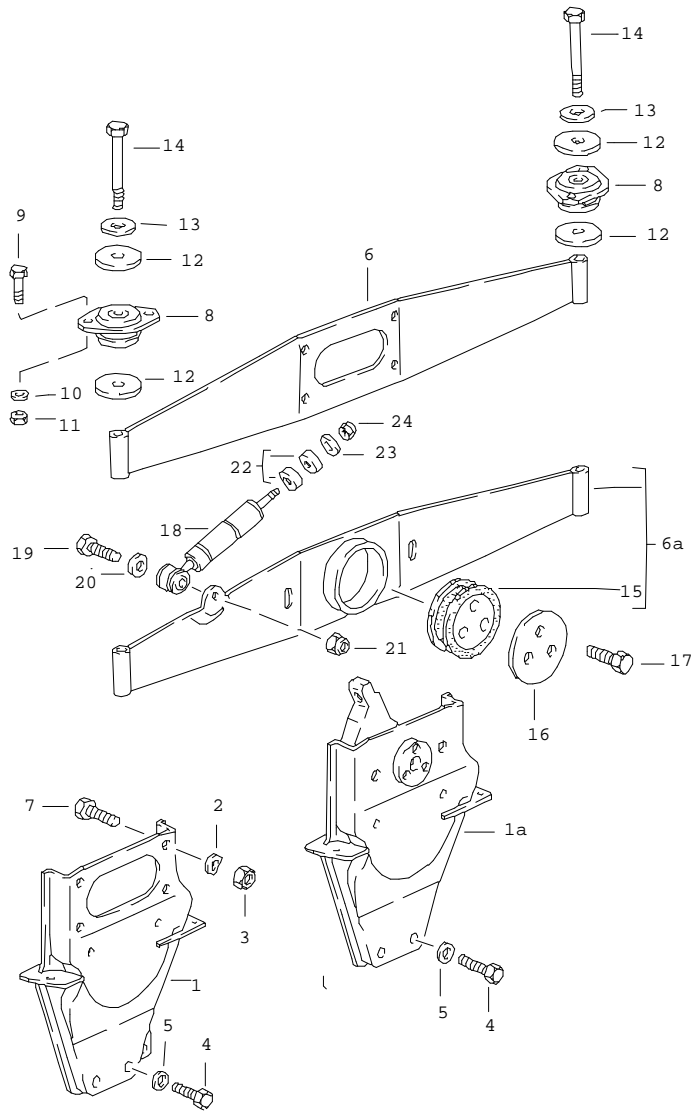


Pos	Part Number	Name	Remarks	Qty	Model
		additional blower			930.20/25/26
1	965 624 151 00	blower		1	
2	999 512 244 02	clip SP 77/20		1	
3	930 211 139 00	support		1	
4	N 011 524 7	washer 6,4		3	
5	900 910 096 02	lock nut M 6		3	
6	930 110 579 01	bonded rubber buffer		3	
7	930 211 323 01	hot air socket		1	930.20/25
(7)	930 211 323 02	hot air socket		1	930.26
8	930 211 581 00	rubber sleeve		1	
9	999 512 087 02	hose clamp S94/9ZY		2	
10	999 025 108 02	washer		4	
11	999 072 005 09	hexagon-head bolt M6 X 12		2	
12	900 187 015 02	tapping screw B 6,3 X 16		2	
13	930 211 341 03	hot-air manifold		1	
14	999 703 077 40	cap 10,5 X 6,3		1	
15	N 010 205 6	hexagon-head bolt M 5 X 10		2	
16	900 025 003 02	washer 5,3		2	
17	930 211 337 00	boot		1	
18	999 512 200 02	hose clamp S81/9ZY		1	
19	999 512 235 02	hose clamp S77/9ZY		1	
20	930 211 341 01	hot-air manifold		1	930.26

Model	Year	MG	SG	Illustration	Restrictions	Update	8:36	17.08.2004	PORSCHE	PET	PORSCHE
911	89	1	08	108-10		179					

Pos	Part Number	Name	Remarks	Qty	Model	Pos	Part Number	Name	Remarks	Qty	Model
21	999 512 349 02	hose clamp SGT 50-70/9		4	930.26						
22	930 211 341 02	hot-air manifold		1	930.26						
23	911 211 553 01	flexible pipe		1	930.26						
24	911 211 553 02	flexible pipe		1	930.26						
		- - - E N D - - -									

Model	Year	MG	SG	Illustration	Restrictions	Update	8:36	17.08.2004	PORSCHE	PET	PORSCHE
911	89	1	09	109-00		179					

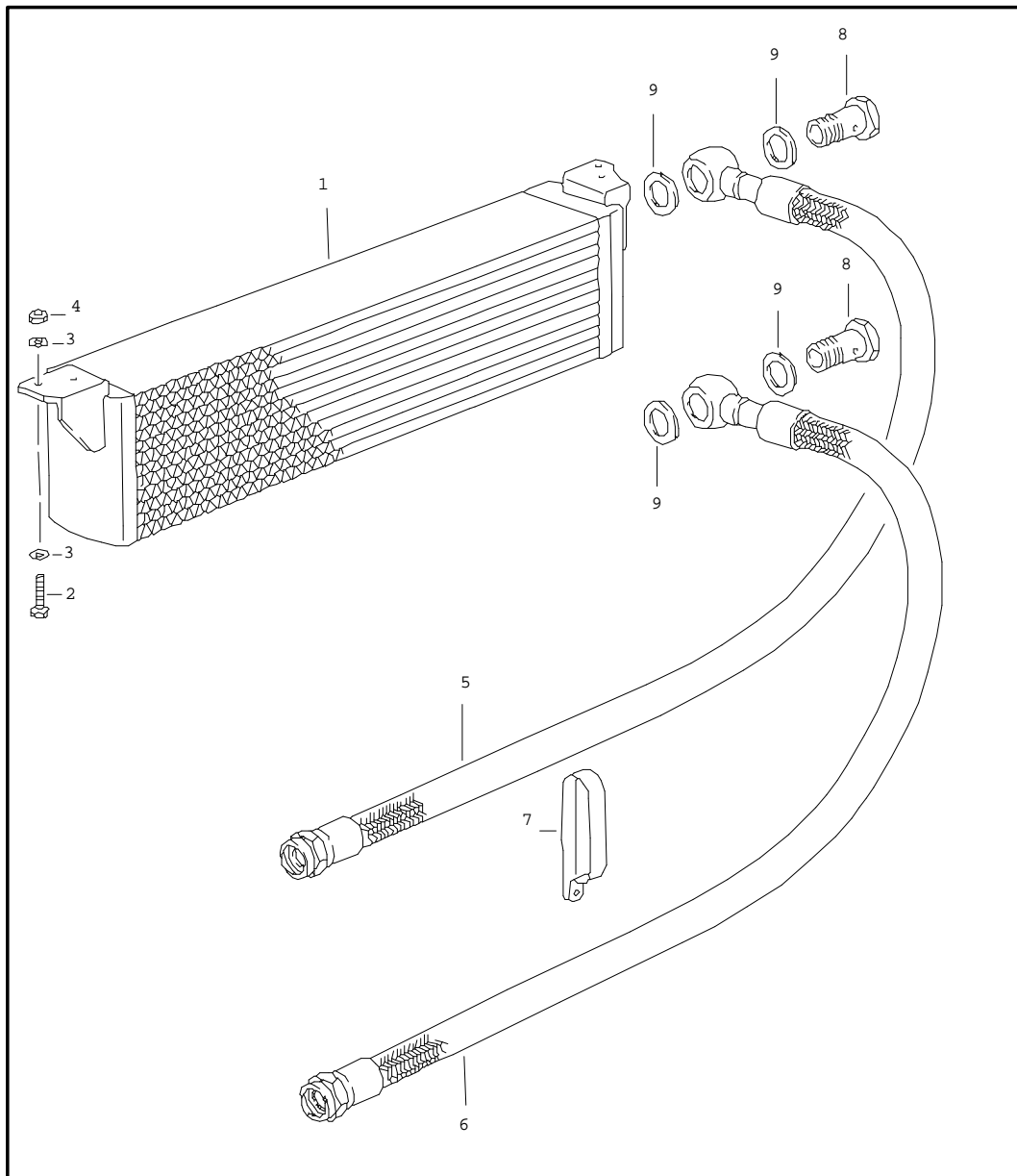


Pos	Part Number	Name	Remarks	Qty	Model
		engine suspension			
1	930 115 017 02	motor console		1	930.20/25/26 COUPE/TARGA
1A	930 115 017 09	motor console		1	930.20/25/26 CABRIO
(1)	930 115 017 08	motor console		1	930.66/68 COUPE/TARGA
(1A)	930 115 017 09	motor console		1	930.66/68 CABRIO
2	N 012 242 3	spring washer		4	
3	900 157 002 02	hexagon nut M 10		4	
4	N 010 450 5	hexagon-head bolt M10X50		2	
4	N 010 253 7	hexagon-head bolt M10X22		1	
4	900 074 064 02	hexagon-head bolt M10X60		1	930.20/25/26
4	N 010 472 4	hexagon-head bolt M10X85		1	930.66/68
5	900 025 008 09	washer A10,5		4	
6	930 375 011 01	bracket		1	
6A	911 375 011 06	bracket		1	CABRIO
7	900 156 006 02	hexagon-head bolt M 10 X 18		4	
8	911 375 043 00	bearing		2	
8	911 375 043 07	bearing		2	CABRIO 930.20/25/26 M637
9	N 010 335 5	hexagon-head bolt M 8 X 35		4	
10	900 027 015 02	lock ring B 8		4	

Model	Year	MG	SG	Illustration	Restrictions	Update	8:36	17.08.2004	PORSCHE	PET	PORSCHE
911	89	1	09	109-00		179					

Pos	Part Number	Name	Remarks	Qty	Model	Pos	Part Number	Name	Remarks	Qty	Model
11	900 076 025 02	hexagon nut M 8		4							
12	901 305 311 00	seat		4							
13	803 199 347	washer		2							
14	N 010 191 2	hexagon-head bolt M 12 X 1,5 X 95		2							
15	911 375 043 05	torsion bearing		1	CABRIO						
16	911 375 313 00	end plate		1	CABRIO						
17	N 010 275 3	hexagon-head bolt M 10X35		3	CABRIO						
18	911 375 175 00	vibration damper		1	CABRIO						
18	911 375 175 01	vibration damper		1	SPEEDSTER						
19	N 010 445 2	hexagon-head bolt M 10X45		1	CABRIO						
20	900 025 008 09	washer A 10,5		1	CABRIO						
21	N 900 876 01	lock nut VM 10		1	CABRIO						
22	911 375 181 00	spacer ring		2	CABRIO						
23	N 900 662 01	washer 6,4 X 21,5		1	CABRIO						
24	900 910 010 09	lock nut VM 6		1	CABRIO						
		- - - E N D - - -									

Model	Year	MG	SG	Illustration	Restrictions	Update	8:36	17.08.2004	PORSCHE	PET	PORSCHE
911	89	1	80	180-10		179					



Pos	Part Number	Name	Remarks	Qty	Model
		special model special series-slant nose oil cooler centre	88-		TURBO M506
1	911 107 051 01	oil cooler		1	
2	900 075 341 02	screw M 6 X 25		4	
3	N 011 524 7	washer A 6,4		4	
4	900 910 012 02	lock nut M 6		4	
5	930 107 911 00	oil hose intake		1	
6	930 107 912 00	oil hose return		1	
7	999 511 130 02	clip 44/20		1	
8	900 134 015 02	banjo bolt A 20		2	
9	900 123 049 30	sealing ring A 26 X 32		4	
- - - E N D - - -					

Model	Year	MG	SG	Illustration	Restrictions	Update	9:28	17.08.2004
911	89	1	98	REP		179		

Pos	Part Number	Name	Remarks	Qty	Model
>>	> 930 100 907 04	set of seals repair kits		1	930.20/25/26
-	999 704 172 50	sealing ring		2	
-	930 104 194 02	gasket		6	
-	928 104 193 12	valve stem seal		12	
-	930 105 193 06	gasket		2	
-	900 031 014 30	washer 8,4		40	
-	999 701 598 40	o-ring 8,3-2,4		2	
-	999 701 596 40	o-ring 20,3-2,4		2	
-	999 701 298 40	o-ring 10-1,3		2	
-	N 013 804 2	sealing ring A 6 X 10		2	
-	930 105 197 05	gasket		2	
-	999 701 124 40	o-ring 67,5 X 4		1	
-	930 105 191 03	gasket		1	
-	930 105 192 04	gasket		1	
-	900 031 011 30	washer 6,4		19	
-	930 105 194 04	gasket		2	
-	930 105 195 05	gasket		2	
-	999 704 173 50	sealing ring		1	
-	900 123 005 30	sealing ring A 12 X 16		7	
-	999 707 112 40	round seal		8	
-	930 110 197 14	gasket		12	
-	999 701 423 40	o-ring 6 X 5		6	

Model	Year	MG	SG	Illustration	Restrictions	Update	9:28	17.08.2004
911	89	1	98	REP		179		

Pos	Part Number	Name	Remarks	Qty	Model
-	900 123 050 30	sealing ring A 8 X 11,5		17	
-	900 123 144 30	sealing ring 10 X 13,5		1	
-	999 701 395 50	o-ring 7-28		1	
-	999 701 210 40	o-ring 20-2,5		1	
-	911 111 191 01	gasket		1	
-	930 111 192 06	gasket		2	
-	930 111 193 03	gasket		1	
-	911 111 188 02	support washer		1	
-	911 111 189 03	gasket		1	
-	900 123 033 20	sealing ring A 10 X 13,5		6	
-	900 123 060 30	sealing ring A 24 X 29		1	
-	900 123 008 30	sealing ring A 14 X 20		1	
-	900 123 116 30	sealing ring A 12 X 15,5		3	
-	999 701 135 50	o-ring 15 X 2,5		1	
-	900 123 006 30	sealing ring A 14 X 18		2	
-	930 111 191 12	gasket		6	
-	900 123 007 70	sealing ring A 14 X 18		2	
-	999 701 468 40	round seal		2	
-	911 113 146 00	gasket		1	
-	999 701 446 40	o-ring		6	
-	900 123 007 30	sealing ring		1	
-	900 123 005 00	sealing ring A 12 X 16		8	
-	900 123 115 30	sealing ring A 8 X 11,5		4	
-	999 701 690 40	round seal 12 X 1,78		2	

Model	Year	MG	SG	Illustration	Restrictions	Update	9:28	17.08.2004
911	89	1	98	REP		179		

Pos	Part Number	Name	Remarks	Qty	Model
>>	> 930 100 908 02	set of seals engine cylinder cylinder head comprising:		1	930.66/68
-	999 704 172 50	sealing ring		6	
-	930 104 194 02	gasket		6	
-	928 104 193 12	valve stem seal		12	
-	930 105 193 06	gasket		2	
-	999 701 598 40	o-ring 8,3 - 2,4		2	
-	999 701 596 40	o-ring 20,3 - 2,4		2	
-	999 701 298 40	o-ring 10-1,3		2	
-	N 013 804 2	sealing ring A 6 - 10		2	
-	930 105 197 05	gasket		2	
-	930 105 197 05	gasket		1	
-	930 105 191 03	gasket		1	
-	930 105 192 04	gasket		1	
-	900 031 011 30	washer 6,4		19	
-	930 105 194 04	gasket		2	
-	930 105 195 05	gasket		2	
-	900 031 014 30	washer 8,4		42	
-	999 704 173 50	sealing ring		1	
-	900 123 116 30	sealing ring A 12 X 16		7	
-	999 707 112 40	round seal		8	
-	999 707 289 40	round seal 47 X 2		1	
-	900 123 007 30	sealing ring A 14 X 18		2	
-	999 113 246 40	radial sealing ring		1	
-	900 123 055 30	sealing ring A 12 X 17		1	

Model	Year	MG	SG	Illustration	Restrictions	Update	9:28	17.08.2004
911	89	1	98	REP		179		

Pos	Part Number	Name	Remarks	Qty	Model
-	930 107 116 01	gasket		1	
-	900 123 018 30	sealing ring A 16 X 20		2	
-	930 107 123 01	gasket		1	
-	900 123 033 20	sealing ring A 10 X 13,5		27	
-	930 110 197 10	gasket		12	
-	930 110 149 00	gasket		2	
-	930 110 122 00	sealing ring		1	
-	900 123 101 30	sealing ring A 12 X 18		2	
-	900 123 144 30	sealing ring A 10 X 13,5		1	
-	930 110 394 00	gasket		1	
-	900 123 115 30	sealing ring A 8 X 11,5		20	
-	999 701 395 50	o-ring 7-2		1	
-	930 111 192 06	gasket		2	
-	999 701 468 40	round seal		3	
-	930 110 230 00	sealing ring		1	
-	930 110 379 00	sealing ring		1	
-	930 111 160 01	gasket		2	
-	930 111 162 01	gasket		2	
-	911 111 189 03	gasket		1	
-	930 111 191 10	gasket		6	
-	930 111 193 03	gasket		1	
-	930 123 191 05	sealing ring		2	
-	999 701 473 40	round seal		1	
-	930 123 192 04	gasket		1	
-	930 123 194 06	gasket		2	
-	999 701 469 40	round seal		3	
-	999 701 477 40	round seal		1	
-	911 113 179 02	gasket		1	

Model	Year	MG	SG	Illustration	Restrictions	Update	9:28	17.08.2004
911	89	1	98	REP		179		

Pos	Part Number	Name	Remarks	Qty	Model
-	911 113 190 01	gasket		6	
-	900 123 106 30	sealing ring		1	
-	900 123 116 30	sealing ring		15	
-	900 123 060 30	sealing ring		2	
-	930 123 134 04	sealing ring		1	
-	999 113 464 40	shaft seal		1	
-	900 123 005 00	sealing ring A 12 X 16		8	
-	930 111 156 01	support washer		1	
-	930 123 132 02	support washer		1	
>>	> 930 100 901 04	set of seals engine crankcase comprising:		1	
-	999 704 172 50	sealing ring		3	
-	999 701 006 40	o-ring		26	
-	999 113 215 40	sealing ring 90 X 110 X 12		1	
-	930 101 391 01	gasket		2	
-	900 123 118 30	sealing ring A 22 X 27		1	
-	999 113 049 50	radial sealing ring 30 X 50 X 10		1	
-	999 707 285 40	o-ring 51 X 4,5		1	
-	900 123 044 30	sealing ring A 18 X 22		1	
-	900 123 066 30	sealing ring A 10 X 16		8	
-	900 031 011 30	washer 6,4		3	
-	900 123 005 00	sealing ring A 12 X 16		4	
-	900 031 014 30	washer 8,4		24	
-	930 105 198 01	gasket		1	
-	999 704 173 50	sealing ring		1	

Model	Year	MG	SG	Illustration	Restrictions	Update	9:28	17.08.2004
911	89	1	98	REP		179		

Pos	Part Number	Name	Remarks	Qty	Model
-	900 123 011 30	sealing ring A 22 X 27		1	
-	999 701 053 50	sealing ring 39,2 X 3		1	
-	900 123 106 30	sealing ring A 18 X 24		2	
-	930 107 791 02	gasket		1	
-	911 602 102 01	sealing ring		1	
-	900 123 009 20	sealing ring A 18 X 24		1	
-	900 123 007 30	sealing ring A 14 X 18		2	
-	901 102 191 00	sealing ring		1	
-	999 701 658 40	round seal 33,3 X 2,4		1	
>>	> 930 105 902 00	set of seals for valve cover comprising:		1	
-	930 105 194 04	gasket		2	
-	930 105 195 05	gasket		2	
-	900 031 014 30	washer 8,4		34	
-	900 084 004 02	hexagon nut M 8		34	
>>	> 930 107 040 01	repair kit oil tube divided comprising: oil tube oil tube		1 1 1	
-	900 041 013 01	circlip		1	
-	999 707 112 40	round seal		2	
-	999 707 113 40	round seal		2	
>>	> 964 101 901 00	set of crankshaft bearings comprising:		1	
-	930 101 131 15	bearing shell I		2	
-	930 101 132 15	bearing shell II-VII		12	

Model	Year	MG	SG	Illustration	Restrictions	Update	9:28	17.08.2004
911	89	1	98	REP		179		

Pos	Part Number	Name	Remarks	Qty	Model
-	964 101 138 01	bearing sleeve VIII		1	
>>	> 964 101 901 51	set of crankshaft bearings oversize inner 0,25 MM comprising:		1	
-	930 101 131 51	bearing shell I		2	
-	930 101 132 51	bearing shell II-VII		12	
-	964 101 138 54	bearing sleeve VIII		1	
>>	> 964 101 901 56	set of crankshaft bearings oversize inner 0,50 MM comprising:		1	
-	930 101 131 56	bearing shell I		2	
-	930 101 132 56	bearing shell II-VII		12	
-	964 101 138 55	bearing sleeve VIII		1	
>>	> 964 101 901 61	set of crankshaft bearings oversize outer 0,25 MM comprising:		1	
-	930 101 131 61	bearing shell I		2	
-	930 101 132 61	bearing shell II-VII		12	
-	964 101 138 65	bearing sleeve VIII		1	
>>	> 964 101 901 71	set of crankshaft bearings oversize inner 0,25 MM oversize outer 0,25 MM comprising:		1	
-	930 101 131 71	bearing shell I		2	

Model	Year	MG	SG	Illustration	Restrictions	Update	9:28	17.08.2004
911	89	1	98	REP		179		

Pos	Part Number	Name	Remarks	Qty	Model
-	930 101 132 71	bearing shell II-VII		12	
-	964 101 138 66	bearing sleeve VIII		1	
>>	> 964 101 901 76	set of crankshaft bearings oversize inner 0,50 MM oversize outer 0,25 MM comprising:		1	
-	930 101 131 76	bearing shell I		2	
-	930 101 132 76	bearing shell II-VII		12	
-	964 101 138 67	bearing sleeve VIII piston rings - mahle -		1	
>>	> 930 103 986 00	set of piston rings		1	930.20/25/26
>>	> 930 103 968 00	set of piston rings		1	930.66/68
>>	> 911 100 956 02	maintenance parts for periodic maintenance 1 set comprising:	-88	1	930.20/26
-	930 107 764 01	oil filter		1	
-	928 110 253 06	fuel filter		1	
-	930 105 194 04	gasket		2	
-	930 105 195 05	gasket		2	
-	900 084 004 02	hexagon nut		34	
-	900 031 014 30	washer		34	
-	930 110 393 00	filter element		1	
-	900 123 118 30	sealing ring		2	
-	999 170 157 90	spark plug		6	
>>	> 911 100 956 06	maintenance parts for periodic maintenance 1 set comprising:	89	1	930.20

Model	Year	MG	SG	Illustration	Restrictions	Update	9:28	17.08.2004
911	89	1	98	REP		179		

Pos	Part Number	Name	Remarks	Qty	Model
-	930 107 764 01	oil filter		1	
-	930 105 194 04	gasket		2	
-	930 105 195 05	gasket		2	
-	900 084 004 02	hexagon nut		34	
-	900 031 014 30	washer		34	
-	930 110 393 00	filter element		1	
-	900 123 118 30	sealing ring		2	
-	999 170 157 90	spark plug		6	
>>	> 911 100 956 05	maintenance parts for periodic maintenance 1 set comprising:	-88	1	930.25
-	930 107 764 01	oil filter		1	
-	928 110 253 06	fuel filter		1	
-	930 105 194 04	gasket		2	
-	930 105 195 05	gasket		2	
-	900 084 004 02	hexagon nut		34	
-	900 031 014 30	washer		34	
-	930 110 393 00	filter element		1	
-	900 123 118 30	sealing ring		2	
-	999 170 156 90	spark plug		6	
>>	> 911 100 956 07	maintenance parts for periodic maintenance 1 set comprising:	89	1	930.25
-	930 107 764 01	oil filter		1	
-	930 105 194 04	gasket		2	
-	930 105 195 05	gasket		2	
-	900 084 004 02	hexagon nut		34	
-	900 031 014 30	washer		34	
-	930 110 393 00	filter element		1	
-	900 123 118 30	sealing ring		2	
-	999 170 156 90	spark plug		6	

Model	Year	MG	SG	Illustration	Restrictions	Update	9:28	17.08.2004
911	89	1	98	REP		179		

Pos	Part Number	Name	Remarks	Qty	Model
>>	> 911 100 988 01	maintenance set for periodic maintenance 1 set comprising:	-88	1	930.66/68
-	930 107 764 01	oil filter		1	
-	928 110 147 05	fuel filter		1	
-	930 105 194 04	gasket		2	
-	930 105 195 05	gasket		2	
-	900 031 014 30	washer		34	
-	900 084 004 02	hexagon nut		34	
-	930 110 185 02	air cleaner cartridge		1	
-	930 113 401 00	filter cartridge		1	
-	900 123 118 30	sealing ring		2	
-	999 170 128 90	spark plug		6	
-	900 123 055 30	sealing ring		1	
>>	> 911 100 988 02	maintenance parts for periodic maintenance 1 set comprising:	89	1	930.66/68
-	930 107 764 01	oil filter		1	
-	930 105 194 04	gasket		2	
-	930 105 195 05	gasket		2	
-	900 084 004 02	hexagon nut		34	
-	900 031 014 30	washer		34	
-	900 123 118 30	sealing ring		2	
-	900 123 055 30	sealing ring		1	
-	999 170 128 90	spark plug		6	
>>	> 928 603 904 00	set of fastening parts for pulley generator comprising: nut M 17 X 1,5 SW 24 washer thrust washer woodruff key pipe		X	
				1	
				1	
				1	
				1	

PORSCHE

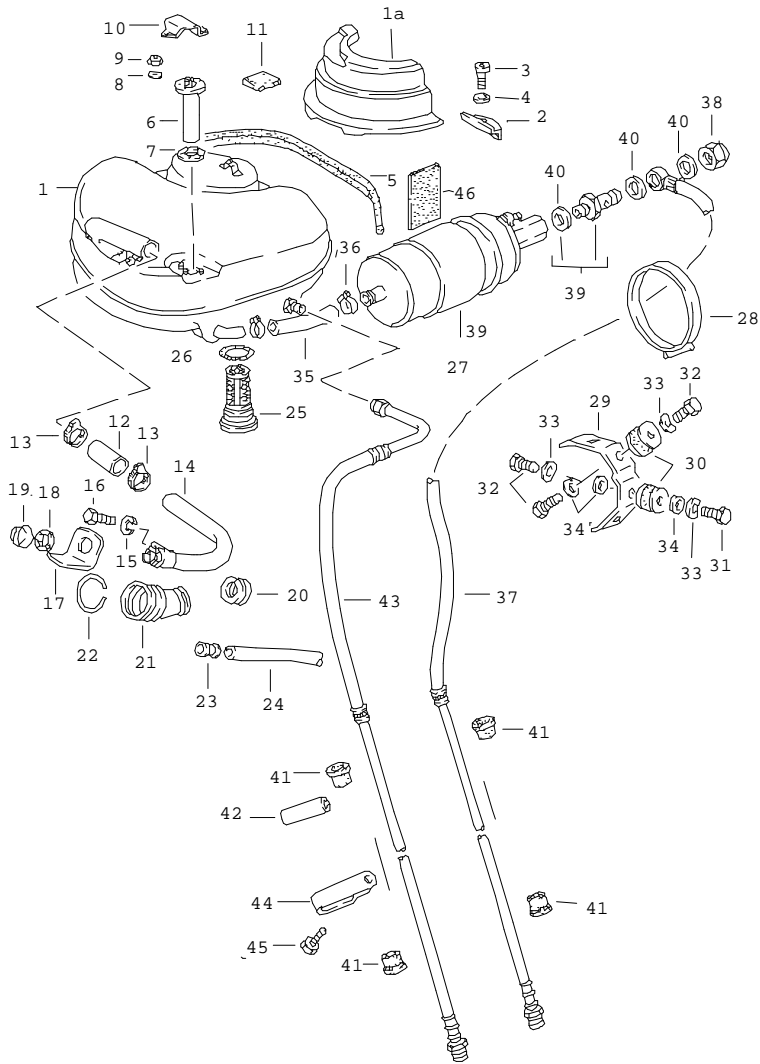
PET

PORSCHE

Model	Year	MG	SG	Illustration	Restrictions	Update		
911	89	1	98	REP		179	9:28	17.08.2004

Pos	Part Number	Name	Remarks	Qty	Model
		- - - E N D - - -			

Model	Year	MG	SG	Illustration	Restrictions	Update	8:36	17.08.2004	PORSCHE	PET	PORSCHE
911	89	2	01	201-00		179					



Pos	Part Number	Name	Remarks	Qty	Model
		fuel system front			
1	930 201 010 03	fuel tank		1	
2	901 201 311 00	bracket		3	
3	900 067 151 02	pan-head screw M 8 X 25		3	
4	900 031 001 02	washer 8,4		3	
5	901 504 932 20	sealing strap		1	
6	901 741 801 00	sender		1	
7	477 919 133	sealing ring		1	
8	N 012 222 4	spring washer B 5		5	
9	N 011 005 14	hexagon nut M 5		5	
10	901 201 275 30	cap		1	
11	911 201 259 02	desk pad 10 MM		2	
11	911 201 259 03	desk pad 19 MM		1	
12	911 201 515 00	hose		1	
13	999 512 348 02	hose clamp 40-60/9		2	
14	911 201 049 04	filler neck for cars with sheet metal cup for tank		1	
	F	>>91KS1 00958			
	F	>>91KS1 40341			
	F	>>91KS1 50414			
	F	>>93KS0 00184			
	F	>>93KS0 20083			
	F	>>93KS0 10067			

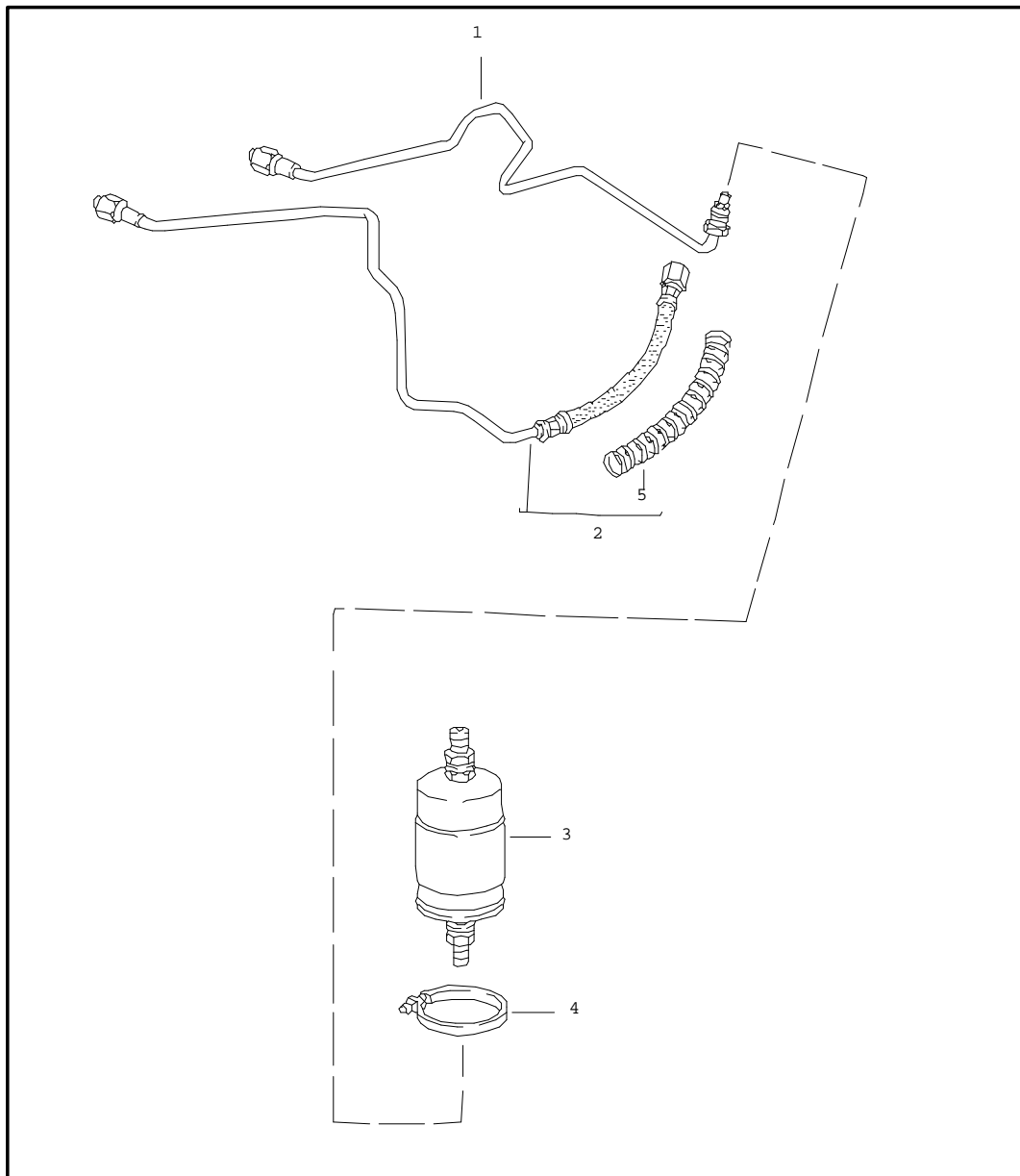
Model	Year	MG	SG	Illustration	Restrictions	Update	8:36	17.08.2004	PORSCHE	PET	PORSCHE
911	89	2	01	201-00		179					

Pos	Part Number	Name	Remarks	Qty	Model	Pos	Part Number	Name	Remarks	Qty	Model
(14)	911 201 049 06	filler neck for cars with plastic cup for tank F 91KS1 00959>> F 91KS1 40342>> F 91KS1 50415>> F 93KS0 00185>> F 93KS0 20084>> F 93KS0 10068>>		1		16	999 919 089 07	screw 5 X 16 for cars with plastic cup for tank F 91KS1 00959>> F 91KS1 40342>> F 91KS1 50415>> F 93KS0 00185>> F 93KS0 20084>> F 93KS0 10068>>		1	
14	911 201 049 05	filler neck for cars with sheet metal cup for tank F >>91KS1 00958 F >>91KS1 40341 F >>91KS1 50414 F >>93KS0 00184 F >>93KS0 20083 F >>93KS0 10067		1	CARRERA M298	17	911 201 279 01	protective flap for cars with sheet metal cup for tank F >>91KS1 00958 F >>91KS1 40341 F >>91KS1 50414 F >>93KS0 00184 F >>93KS0 20083 F >>93KS0 10067		1	
(14)	911 201 049 07	filler neck for cars with plastic cup for tank F 91KS1 00959>> F 91KS1 40342>> F 91KS1 50415>> F 93KS0 00185>> F 93KS0 20084>> F 93KS0 10068>>		1	CARRERA M298	17	964 201 279 00	protective flap for cars with plastic cup for tank F 91KS1 00959>> F 91KS1 40342>> F 91KS1 50415>> F 93KS0 00185>> F 93KS0 20084>> F 93KS0 10068>>		1	
15	N 012 006 4	lock ring B 6		2		18	944 201 553 00	gasket		1	
16	900 075 310 02	hexagon-head bolt M 6 X 12 for cars with sheet metal cup for tank F >>91KS1 00958 F >>91KS1 40341 F >>91KS1 50414 F >>93KS0 00184 F >>93KS0 20083 F >>93KS0 10067		2		19	911 201 272 02	fuel tank cap		1	COUPE
						19	964 201 906 00	fuel tank cap lockable w/o stipulated lock number with keys		2	TARGA/ CABRIO
						19	964 201 906 01	fuel tank cap lockable state lock number with keys		1	TARGA/ CABRIO
						20	911 201 095 00	gasket		1	

Model	Year	MG	SG	Illustration	Restrictions	Update	8:36	17.08.2004	PORSCHE	PET	PORSCHE
911	89	2	01	201-00		179					

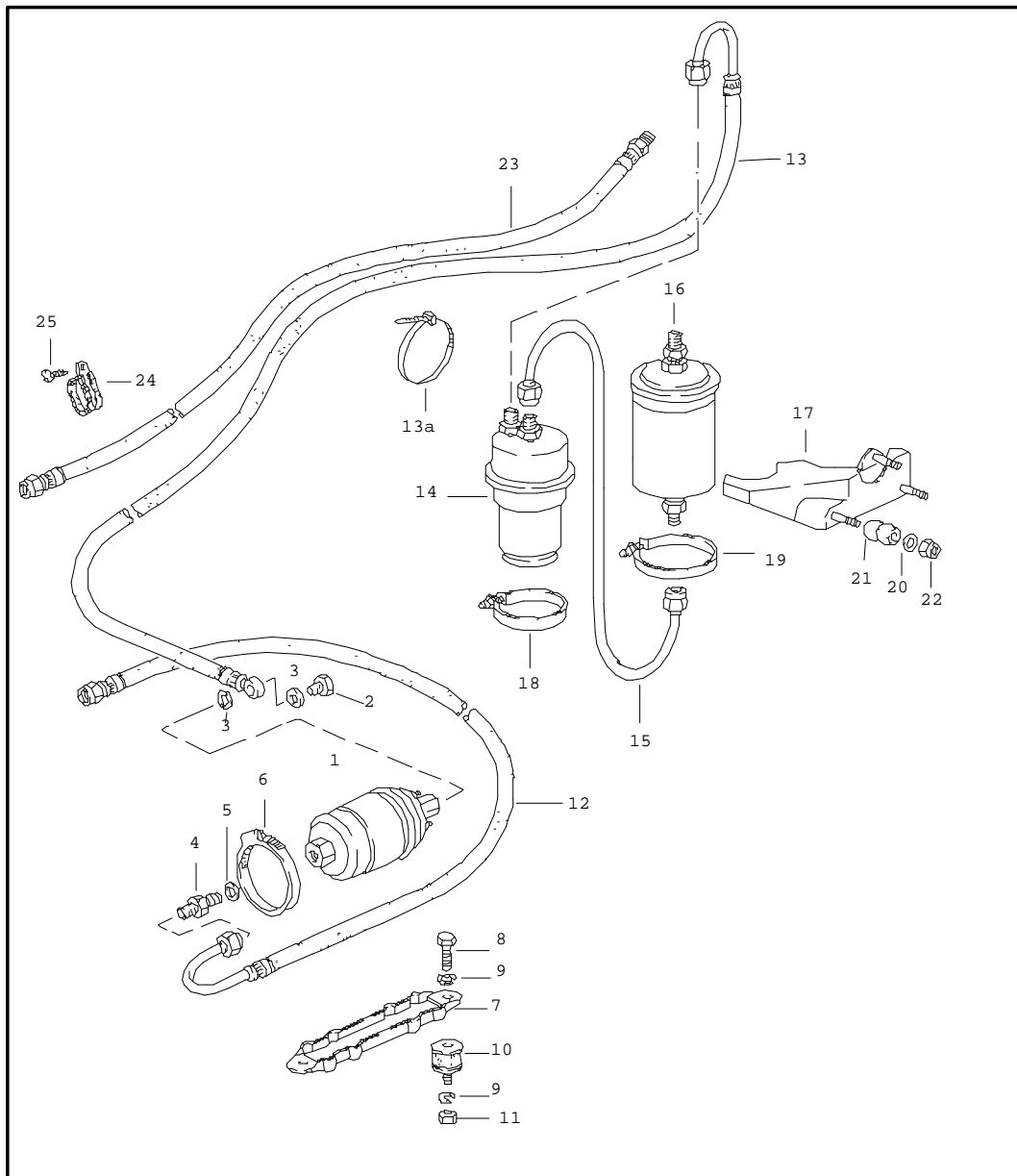
Pos	Part Number	Name	Remarks	Qty	Model	Pos	Part Number	Name	Remarks	Qty	Model
21	901 201 591 20	sleeve for cars with sheet metal cup for tank F >>91KS1 00958 F >>91KS1 40341 F >>91KS1 50414 F >>93KS0 00184 F >>93KS0 20083 F >>93KS0 10067		1		-	999 181 168 50	hose 12 X 18,5		*	
						35	-	90 MM		1	
						36	999 512 554 00	hose clamp		2	
						37	911 356 066 07	pressure line		1	930.66/68
						37	911 356 066 08	pressure line		1	930.20/25/26
21	911 201 367 00	sleeve for cars with plastic cup for tank F 91KS1 00959>> F 91KS1 40342>> F 91KS1 50415>> F 93KS0 00185>> F 93KS0 20084>> F 93KS0 10068>>		1		38	928 110 475 01	cap nut M 12 X 15,5		1	
						(39)	893 906 093	retaining valve		1	930.66/68
						39	944 608 951 01	check valve		1	930.20/25/26
						40	N 013 812 2	sealing ring A 12 X 15,5		2	930.20/25/26
22	999 152 004 00	snap ring		1		40	900 123 005 20	sealing ring A 12 X 16		2	930.66/68
23	911 201 593 00	overflow socket		1		41	911 356 202 03	rubber sleeve		4	
24	911 201 731 00	overflow hose		1		42	999 613 017 40	covering		1	
25	911 201 141 00	fuel filter		1		43	911 356 062 07	return line		1	930.66/68
26	911 201 143 00	sealing ring		1		43	911 356 062 08	return line		1	930.20/25/26
27	911 608 102 02	fuel pump		1	930.66/68	44	999 511 093 02	clip		1	
27	944 608 102 04	fuel pump		1	930.20/25/26	45	900 187 104 02	tapping screw B 4,8 X 13		1	
(27)	944 608 102 04	fuel pump		1	930.20/25/26	46	928 612 494 00	piece of plastic foam		1	
28	999 512 394 00	hose clamp 40-60/13		1		-	911 356 543 01	support for fuel line		3	
29	911 608 105 01	support		1				- - - E N D - - -			
30	911 608 206 00	bonded rubber buffer		2							
31	999 072 005 09	hexagon-head bolt M 6 X 12		1							
32	N 010 208 5	hexagon-head bolt M 6 X 8		3							
33	N 012 226 5	spring washer B 6		4							
34	N 011 524 7	washer A 6,4		4							

Model	Year	MG	SG	Illustration	Restrictions	Update	8:36	17.08.2004	PORSCHE	PET	PORSCHE
911	89	2	01	201-05		179					



Pos	Part Number	Name	Remarks	Qty	Model
		fuel system rear			930.20/25/26
1	911 356 083 01	pressure line		1	
2	911 356 085 05	return line		1	
3	928 110 253 04	fuel filter		1	(AG)(SA)
3	928 110 253 06	fuel filter		1	
4	999 512 390 00	hose clamp		1	
5	928 355 517 01	spiral		1	
		--- E N D ---			

Model	Year	MG	SG	Illustration	Restrictions	Update	8:37	17.08.2004	PORSCHE	PET	PORSCHE
911	89	2	01	201-10		179					

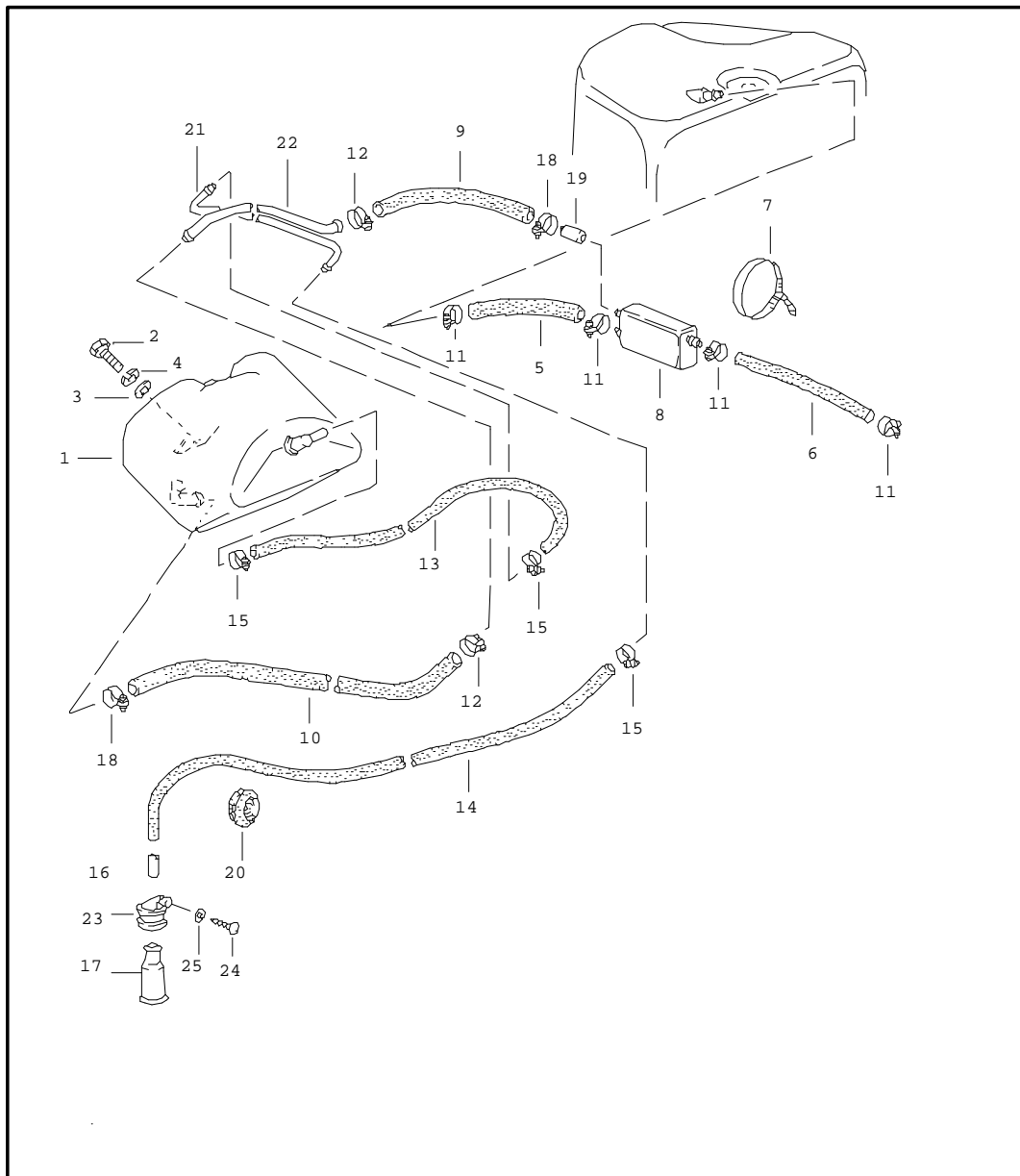


Pos	Part Number	Name	Remarks	Qty	Model
		fuel system rear			930.66/68
1	930 608 113 00	fuel pump		1	
2	999 134 018 02	banjo bolt M 12 X 1,5		1	
3	900 123 005 20	sealing ring A 12 X 16		2	
4	N 020 702 1	screw socket		1	
5	N 013 849 2	sealing ring A 14 X 18		1	
6	999 512 394 00	hose clamp 40-60/13		1	
7	911 608 105 00	support		1	
8	N 010 208 5	hexagon-head bolt M 6 X 8		2	
9	N 012 007 2	lock ring A 6		4	
10	999 703 384 00	silentbloc		2	
11	900 076 010 02	hexagon nut M 6		2	
12	930 356 068 02	fuel line		1	
13	930 356 081 04	fuel line		1	
13A	999 513 010 40	tie-wrap 140 MM		1	
14	911 110 197 02	fuel accumulator		1	
15	911 356 091 02	fuel line		1	
16	928 110 147 05	fuel filter		1	
17	930 356 041 01	bracket		1	
18	999 512 199 02	clip		1	
19	999 512 390 00	hose clamp		1	
20	999 025 108 02	washer 6,4		3	

Model	Year	MG	SG	Illustration	Restrictions	Update	8:37	17.08.2004	PORSCHE	PET	PORSCHE
911	89	2	01	201-10		179					

Pos	Part Number	Name	Remarks	Qty	Model	Pos	Part Number	Name	Remarks	Qty	Model
21	901 504 859 20	rubber sleeve		3							
22	900 910 012 02	lock nut M 6		3							
23	930 356 062 01	return line		1							
24	999 511 093 02	clip		1							
25	900 187 104 02	tapping screw B 4,8 X 13		1							
		- - - E N D - - -									

Model	Year	MG	SG	Illustration	Restrictions	Update	8:37	17.08.2004	PORSCHE	PET	PORSCHE
911	89	2	01	201-15		179					

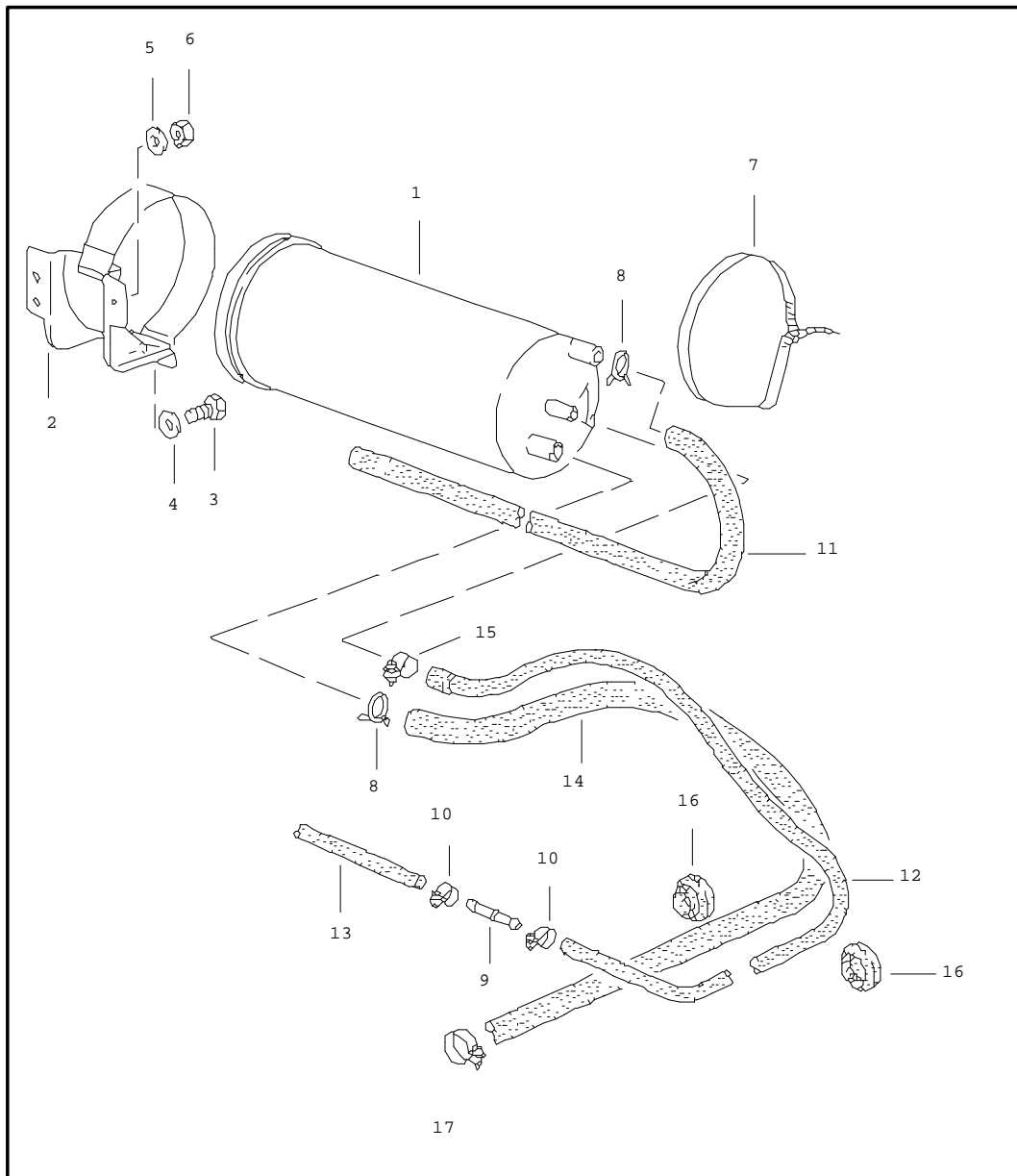


Pos	Part Number	Name	Remarks	Qty	Model
		tank ventilation			
1	911 201 077 02	expansion tank		1	
2	900 075 057 02	hexagon-head bolt M 6 X 16		1	
3	N 011 524 7	washer A 6,4		1	
4	N 012 007 02	lock ring A 6		1	
-	999 181 189 50	hose 14 X 2,5 180 MM		*	
6	911 201 287 01	hose		1	
7	999 513 003 40	tie-wrap		1	
8	911 201 381 00	expansion tank		1	
-	N 020 359 1	hose 9 X 2,5 350 MM		X	
10	-	390 MM		1	
11	999 512 346 00	hose clamp S 20/9 ZY S13/9ZY		4	
12	N 023 570 2	hose clamp S19/9ZY		2	
-	N 020 361 2	hose 4 X 1,5		X	
13	-	370 MM		1	
14	-	1020 MM	/LL	1	
14	-	1170 MM	/RL	1	
15	999 512 069 02	hose clamp S8/7ZY		3	
16	911 201 157 01	sleeve		1	
17	999 659 015 40	protection cap		1	
18	N 023 570 2	hose clamp S19/9ZY		1	

Model	Year	MG	SG	Illustration	Restrictions	Update	8:37	17.08.2004	PORSCHE	PET	PORSCHE
911	89	2	01	201-15		179					

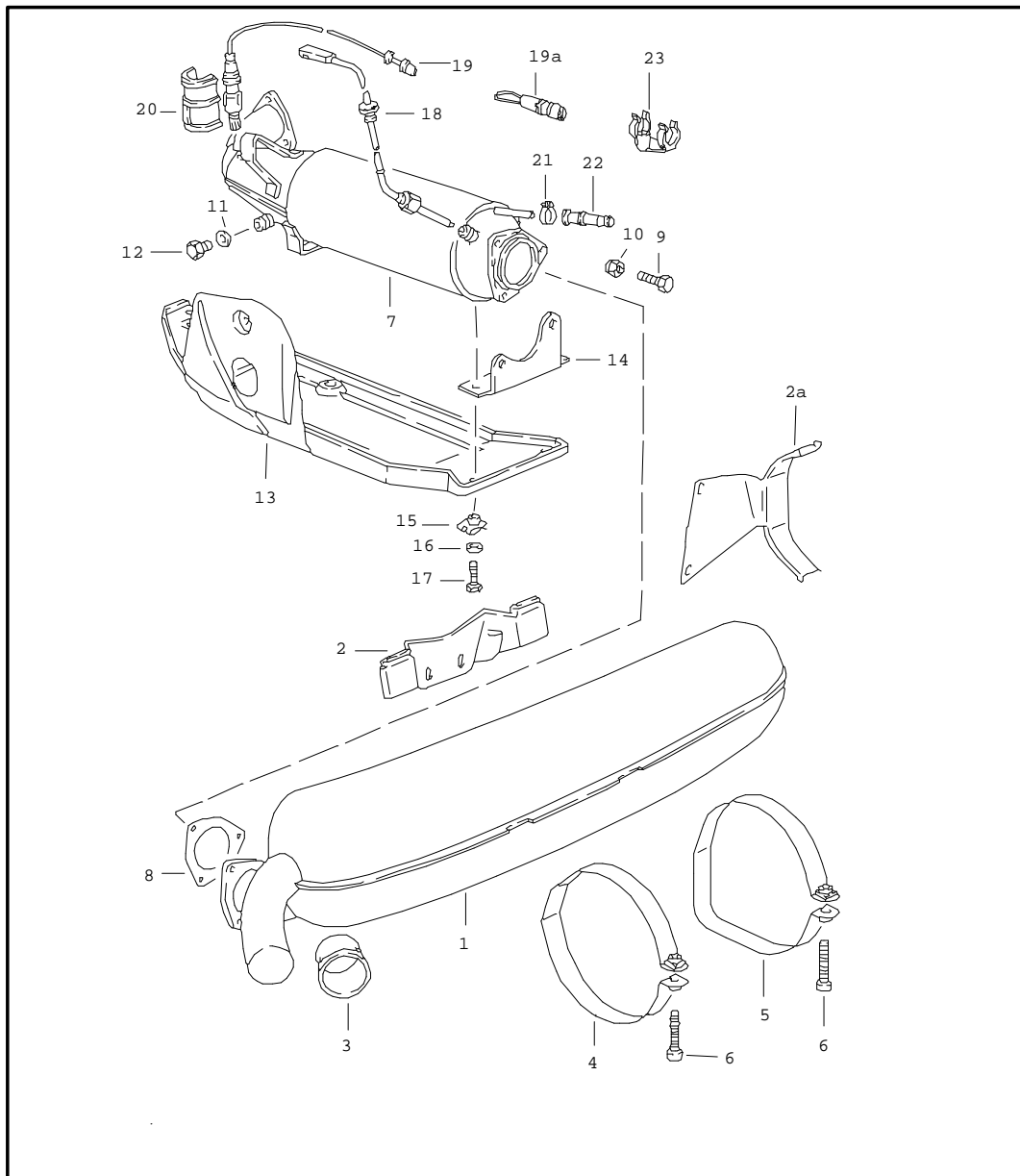
Pos	Part Number	Name	Remarks	Qty	Model	Pos	Part Number	Name	Remarks	Qty	Model
19	911 201 263 02	restrictor		1							
20	111 971 911 A	rubber sleeve		1							
21	911 501 657 02	breather pipe D=5		1							
22	911 501 659 01	breather pipe D=10		1							
23	999 511 072 02	clip 10/9		1							
24	N 013 957 5	tapping screw B 3,5 X 9,5		1							
25	900 151 028 02	washer B 4,3		1							
		- - - E N D - - -									

Model	Year	MG	SG	Illustration	Restrictions	Update	8:37	17.08.2004	PORSCHE	PET	PORSCHE
911	89	2	01	201-20		179					



Pos	Part Number	Name	Remarks	Qty	Model
		carbon canister			
1	993 201 221 01	carbon canister		1	
2	928 201 015 02	bracket		1	
3	900 075 014 02	hexagon-head bolt M 6 X 25		1	
4	803 817 121	washer		1	
5	N 011 524 7	washer A 6,4		2	
6	900 910 010 09	lock nut VM 6		2	
7	N 020 906 3	tie-wrap		1	
8	999 512 265 02	hose clamp 17		1	
9	911 201 415 00	connecting piece		1	
10	900 272 001 02	hose clamp LA8-12		2	
11	477 201 747 B	hose		1	
-	N 020 361 2	hose 4 X 1,5		X	
12	-	1080 MM		1	
13	-	1980 MM		1	
-	N 020 362 1	hose 12 X 2,5		X	
14	-	1750 MM		1	930.20/25/26
14	-	750 MM		1	930.66/68
15	N 023 577 2	hose clamp A 9 X 14ZY		1	
16	999 702 126 50	grommet		2	
17	999 512 069 02	hose clamp S8/7ZY		1	
- - - E N D - - -					

Model	Year	MG	SG	Illustration	Restrictions	Update	8:37	17.08.2004	PORSCHE	PET	PORSCHE
911	89	2	02	202-00		179					

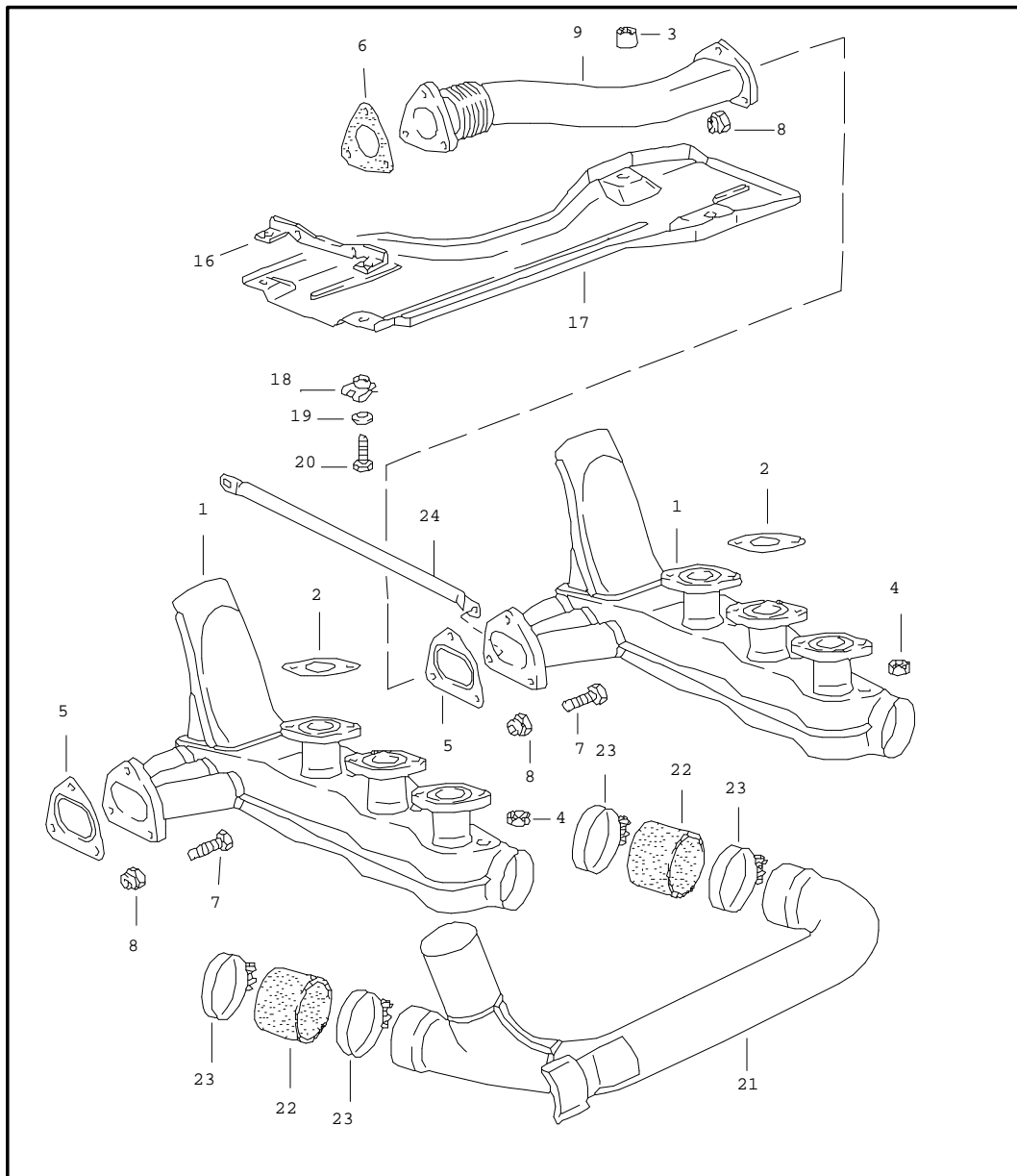


Pos	Part Number	Name	Remarks	Qty	Model
		exhaust system			930.20/25/26
		reconstruction set for subsequent installat. catalytic converter see group 2/98/00			
1	930 111 043 00	exhaust silencer		1	
1	930 111 043 01	exhaust silencer		1	(J)
1	930 111 043 03	exhaust silencer		1	(CH) (AUS) (S)
2	930 111 151 01	bracket		1	
2A	930 111 154 06	bracket		1	M 559/M 573
3	911 111 245 00	ornamental exhaust pipe		1	
3	911 111 245 01	ornamental exhaust pipe		1	(J)
4	930 111 159 00	clip		1	
5	930 111 175 00	clip		1	
6	900 067 161 02	pan-head screw AM10X50		2	
7	930 111 183 03	front muffler		1	
7	930 113 230 15	catalytic converter M >> 64H 06010 M >> 64H 05727 M >> 64H 06325		1	
7	930 113 230 25	catalytic converter M 64H 06011 >> M 64H 05728 >> M 64H 06326 >>		1	
7	930 113 230 19	catalytic converter M >> 64H 06010 M >> 64H 05727 M >> 64H 06325		1	(J)
7	930 113 230 26	catalytic converter M 64H 06011 >> M 64H 05728 >> M 64H 06326 >>		1	(J)
7	930 113 230 27	catalytic converter	89-	1	930.25 (CH)
8	911 111 191 01	gasket	87	1	

Model	Year	MG	SG	Illustration	Restrictions	Update	8:37	17.08.2004	PORSCHE	PET	PORSCHE
911	89	2	02	202-00		179					

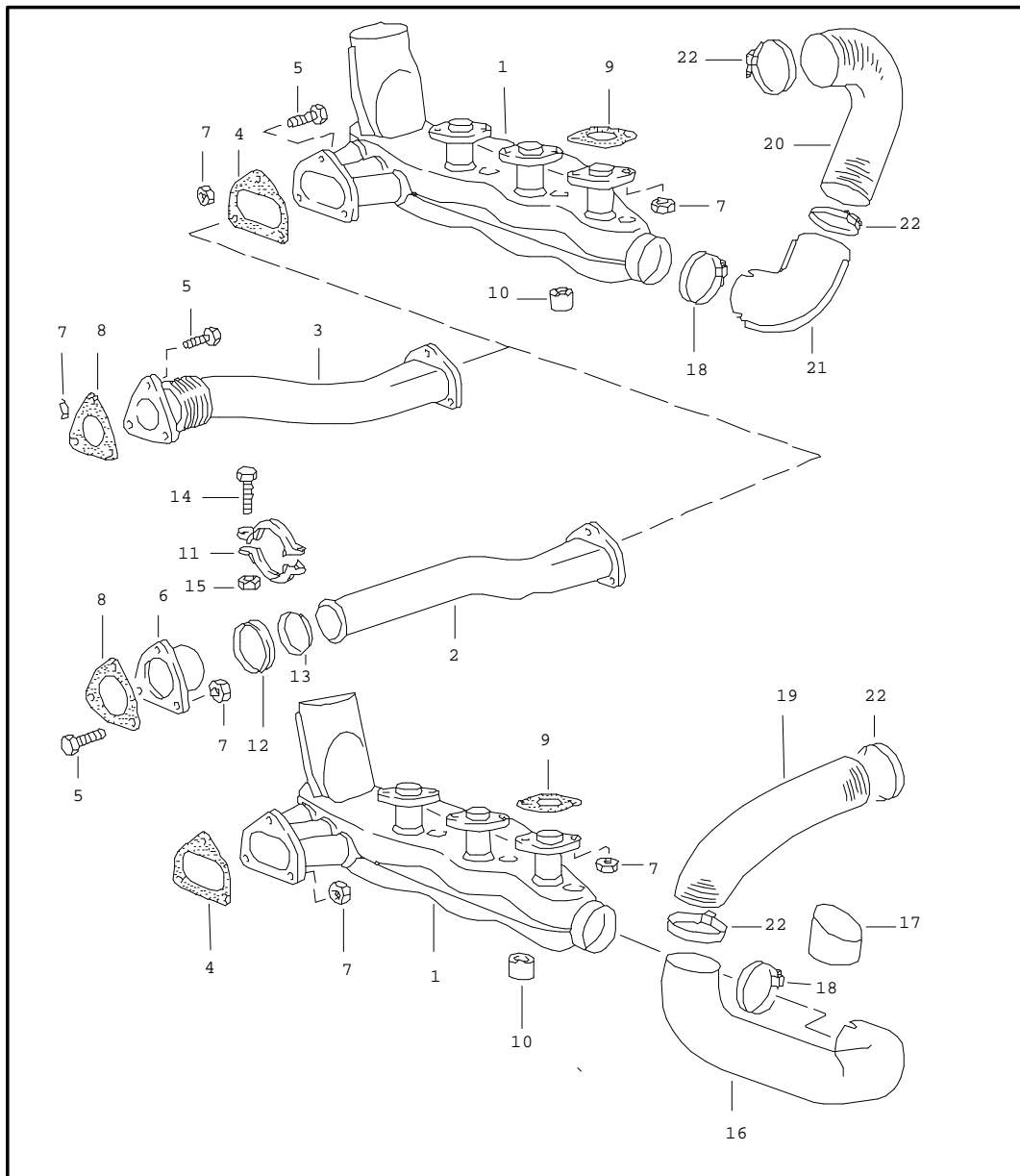
Pos	Part Number	Name	Remarks	Qty	Model	Pos	Part Number	Name	Remarks	Qty	Model
8	911 111 191 01	gasket	88-	1							
9	900 074 282 02	hexagon-head bolt M8X40		3							
10	900 910 097 02	lock nut		3							
11	900 123 050 20	sealing ring A8X11,5		1							
12	900 083 080 00	hexagon-head bolt		1							
13	930 113 208 07	catalytic converter cover M >> 64H 06010 M >> 64H 05727 M >> 64H 06325		1							
13	930 113 208 07	catalytic converter cover M 64H 06011 >> M 64H 05728 >> M 64H 06326 >>		1							
14	930 113 196 00	retaining bracket		1							
15	999 507 326 02	captive nut		4							
16	N 011 666 7	washer		4							
17	900 075 057 02	hexagon-head bolt M6X16		4							
18	911 606 115 00	temperature sensor		1 (J)							
19	965 606 126 01	oxygen sensor		1							
19A	911 612 422 00	adapter plug for - dme - wiring harness		1	930.20/26						
20	911 606 133 00	protection plate		1							
21	N 023 570 2	hose clamp A 9 / 15		1	930.25 (CH)						
22	034 133 335 D	cap		1	930.25 (CH)						
23	999 591 758 40	support		1							
		- - - E N D - - -									

Model	Year	MG	SG	Illustration	Restrictions	Update	8:37	17.08.2004	PORSCHE	PET	PORSCHE
911	89	2	02	202-05		179					



Pos	Part Number	Name	Remarks	Qty	Model
		exhaust system			930.20/25/26
1	930 211 029 01	heat exchanger		2	
2	930 111 191 12	gasket	-87	6	
2	930 111 191 12	gasket	88-	6	
3	999 085 001 02	socket head nut M 8		6	
4	900 076 025 02	hexagon nut M 8		6	
5	930 111 192 03	gasket	87	2	
5	* 930 111 192 06	gasket	88-	2	
6	930 111 193 01	gasket	87	1	
6	* 930 111 193 03	gasket	88-	1	
7	900 074 282 02	hexagon-head bolt M 8 X 40		6	
8	900 910 097 02	lock nut		6	
9	930 111 169 05	exhaust line		1	
16	930 111 197 03	retaining bracket		1	
17	930 111 182 02	cross tube covering		1	
18	999 507 326 02	captive nut		4	
19	N 011 666 7	washer		4	
20	900 075 057 02	hexagon-head bolt M 6 X 16		4	
21	930 211 335 00	air control tube		1	930.20/25
21	930 211 335 01	air control tube		1	930.26
22	930 211 339 01	rubber sleeve		2	
23	N 100 478 01	hose clamp A 9 X 71		4	
24	950 301 401 00	bracket		1	
- - - E N D - - -					

Model	Year	MG	SG	Illustration	Restrictions	Update	8:37	17.08.2004	PORSCHE	PET	PORSCHE
911	89	2	02	202-10		179					

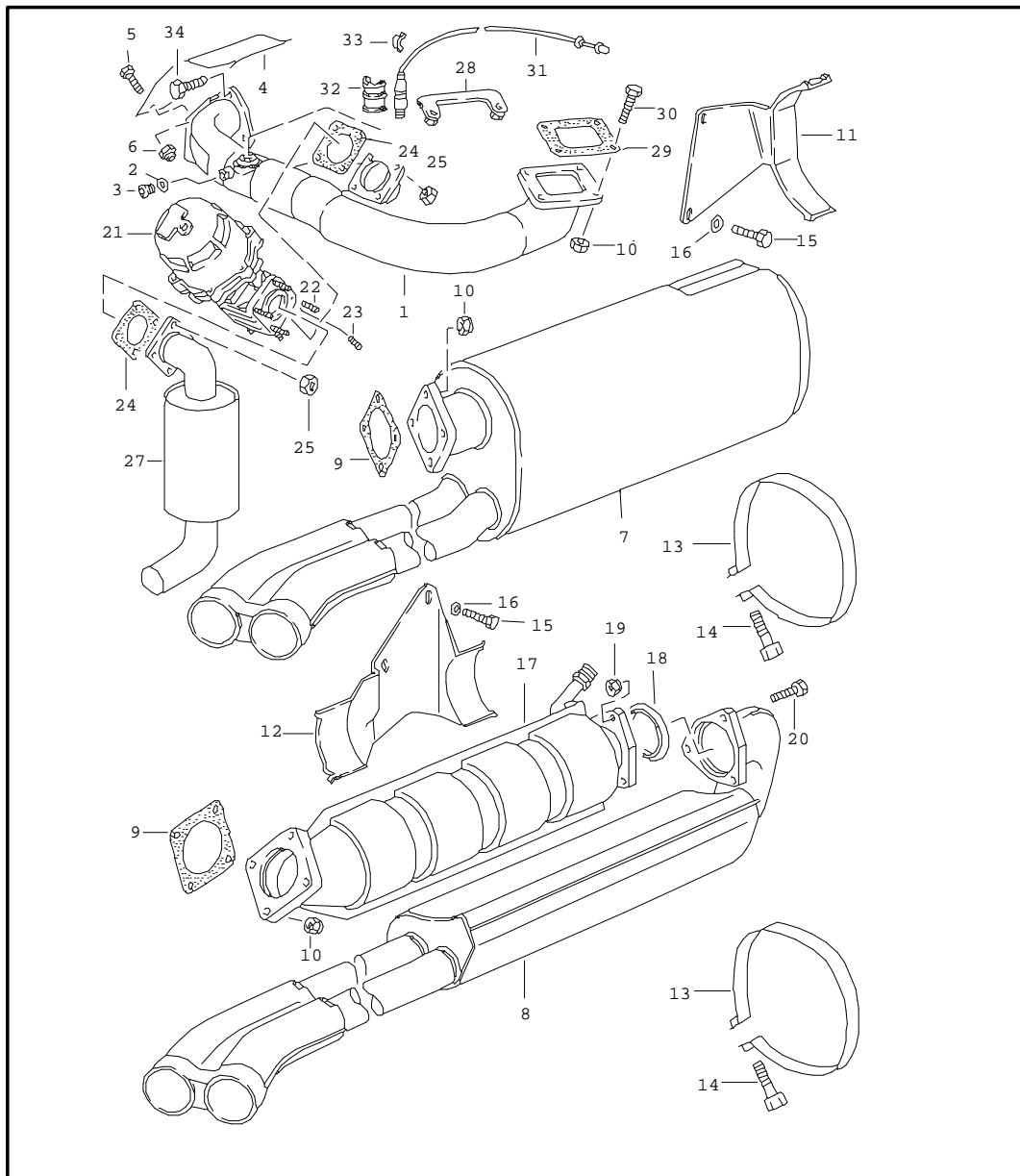


Pos	Part Number	Name	Remarks	Qty	Model
		exhaust system			930.66/68
1	930 211 033 01	heat exchanger		2	
2	930 111 163 04	exhaust line		1	930.66
4	930 111 192 06	gasket	87	2	
4	* 930 111 192 06	gasket	88-	2	
5	900 074 282 02	hexagon-head bolt M 8 X 37		9	
6	930 111 157 00	compensating socket		1	930.66
7	900 910 097 02	lock nut M 8		21	
8	930 111 193 03	gasket	87	1	
8	* 930 111 193 07	gasket	88-	1	
9	930 111 191 01	gasket	87	6	
9	* 930 111 191 10	gasket	88-	6	
10	999 085 001 02	socket head nut M 8		6	
11	930 111 187 00	clamp		2	930.66
12	911 111 189 03	gasket	87	1	930.66
12	* 911 111 189 03	gasket	88-	1	930.66
13	* 930 111 156 01	support washer		1	930.66
14	900 074 283 02	hexagon-head bolt M 8 X 45		2	930.66
15	900 910 097 02	lock nut M 8		2	930.66
16	930 211 123 00	hot air line		1	
17	930 211 197 00	hose		1	
18	999 512 246 02	clip		2	
19	930 211 196 00	heater hose	/L	1	
20	901 211 194 00	heater hose	/R	1	
21	911 211 131 00	adapter		1	

Model	Year	MG	SG	Illustration	Restrictions	Update	8:37	17.08.2004	PORSCHE	PET	PORSCHE
911	89	2	02	202-10		179					

Pos	Part Number	Name	Remarks	Qty	Model	Pos	Part Number	Name	Remarks	Qty	Model
22	999 512 349 02	hose clamp		4							
		- - - E N D - - -									

Model	Year	MG	SG	Illustration	Restrictions	Update	8:37	17.08.2004	PORSCHE	PET	PORSCHE
911	89	2	02	202-15		179					

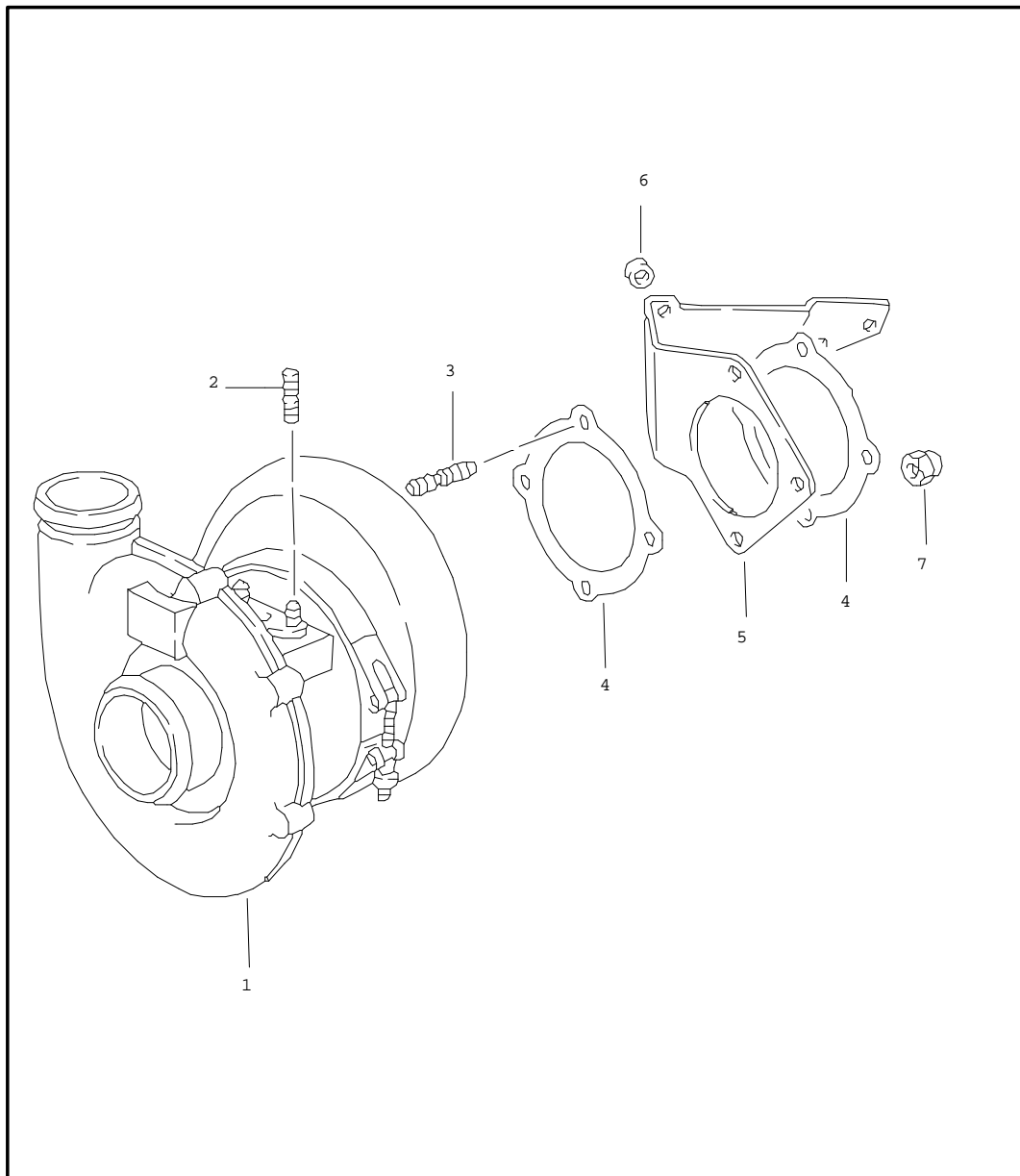


Pos	Part Number	Name	Remarks	Qty	Model
		exhaust system			930.66/68
1	930 111 003 04	exhaust line		1	930.66
(1)	930 111 913 00	exhaust line		1	930.66-S M 148
4	930 111 128 03	cover plate	-87	1	
4	930 111 128 03	cover plate	88	1	
4	930 111 128 03	cover plate	89-	1	
5	900 075 312 02	hexagon-head bolt M 6 X 16		2	
6	900 910 096 02	lock nut M 6		2	
7	930 111 038 06	exhaust silencer	-88	1	930.66
7	930 111 038 06	exhaust silencer	89-	1	930.66
(7)	930 111 038 52	exhaust silencer	88	1	930.66-S M 148
(7)	930 111 038 52	exhaust silencer	89-	1	930.66-S M 148
9	930 123 191 01	gasket	87	1	
9	* 930 123 191 05	gasket	88-	1	
10	900 910 099 02	lock nut M 10		6	
11	930 111 154 06	bracket		1	930.66
13	930 111 155 00	clip		1	930.66
14	900 067 161 02	pan-head screw AM 10 X 50		2	
15	900 075 085 02	hexagon-head bolt M 8 X 20		2	
16	900 151 008 02	washer A 8,4		2	
(17)	930 111 235 01	front muffler		1	930.68 M 900
21	930 123 060 12	wastegate		1	

Model	Year	MG	SG	Illustration	Restrictions	Update	8:37	17.08.2004	PORSCHE	PET	PORSCHE
911	89	2	02	202-15		179					

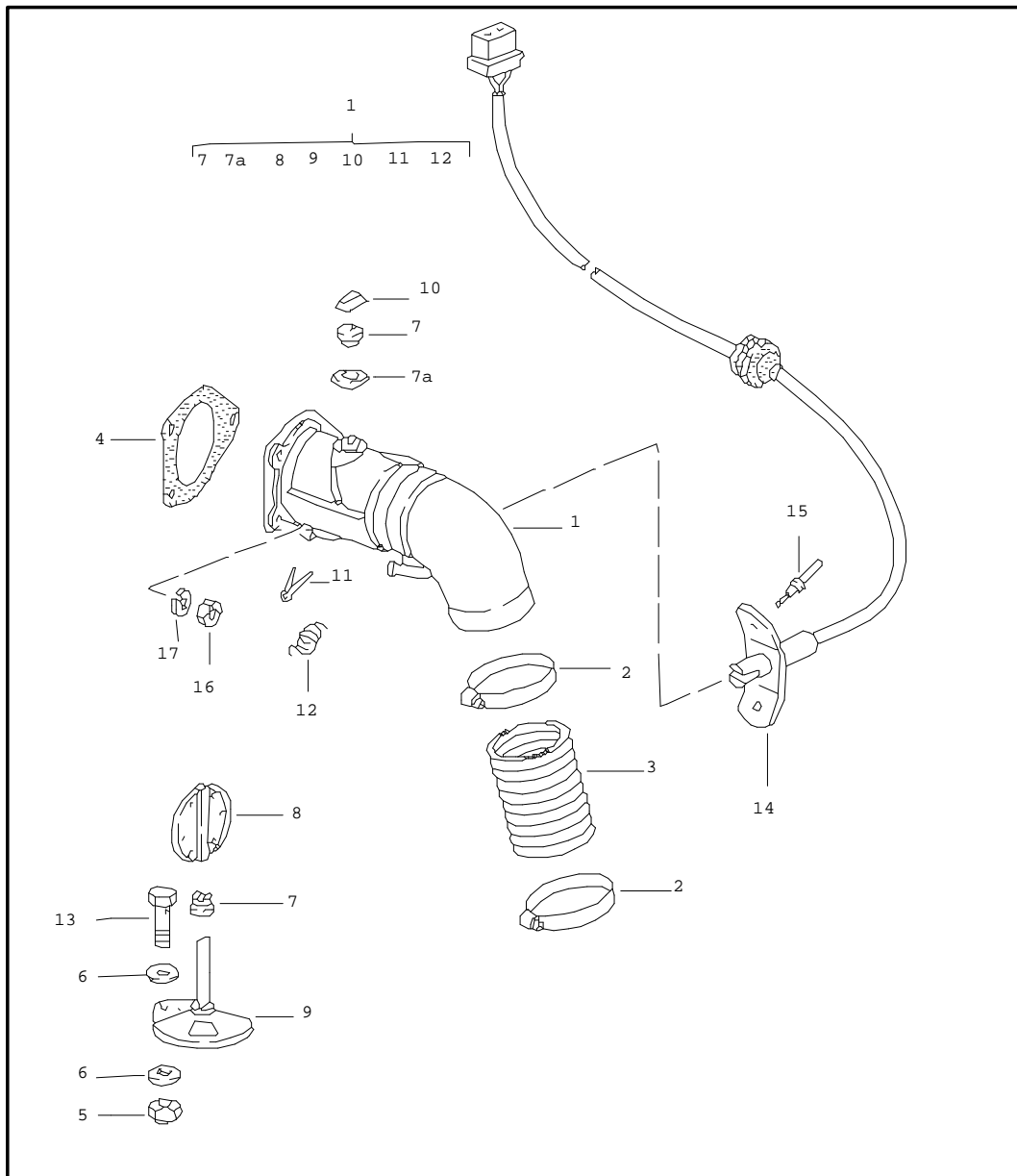
Pos	Part Number	Name	Remarks	Qty	Model	Pos	Part Number	Name	Remarks	Qty	Model
22	900 081 048 02	stud M 8 X 25		4							
23	900 081 049 02	stud M 8 X 32		4							
24	930 123 194 06	gasket		1							
25	900 910 097 02	lock nut M 8		8							
27	930 123 063 01	muffler		1							
(27)	930 123 963 50	muffler		1	930.66-S M 148						
28	930 123 114 02	supporting plate		1							
29	930 123 192 01	gasket	87	1							
29	930 123 192 04	gasket	88-	1							
30	900 074 284 02	hexagon-head bolt M 10 X 40		4							
		- - - E N D - - -									

Model	Year	MG	SG	Illustration	Restrictions	Update	8:38	17.08.2004	PORSCHE	PET	PORSCHE
911	89	2	02	202-16		179					



Pos	Part Number	Name	Remarks	Qty	Model
		turbocharger			930.66/68
1	> 930 123 003 01	turbocharger		1	
1	930 123 913 03	turbocharger		1	930.66-S M 148
2	900 081 004 02	stud M 8 X 20		4	
3	900 081 051 02	stud M 10 X 35		4	
4	930 123 191 05	sealing ring	87	2	
4	* 930 123 191 05	sealing ring	88-	2	
5	930 123 121 05	bracket		1	
(5)	930 123 921 05	bracket		1	930.66-S M 148
6	930 123 123 00	spacer tube		1	
7	900 910 099 02	lock nut M 10		4	
- - - E N D - - -					

Model	Year	MG	SG	Illustration	Restrictions	Update	8:38	17.08.2004	PORSCHE	PET	PORSCHE
911	89	2	02	202-20		179					



Pos	Part Number	Name	Remarks	Qty	Model
		heating air supply			
		see tpi GR.2/NR.5/04.87			
1	911 211 013 01	heat control box	/L	1	M 424
(1)	911 211 013 00	heat control box	/L	1	
(1)	911 211 014 00	heat control box	/R	1	
2	999 512 349 02	hose clamp		4	
3	930 211 622 01	connecting hose 330 MM		2	
4	911 211 297 00	gasket		2	
5	900 910 012 02	lock nut M 6		2	
6	N 011 524 7	washer 6,4		4	
7A	911 211 235 00	bearing sleeve		2	
7	901 211 255 21	bearing		4	
8	901 211 028 22	air flap		2	
9	911 211 045 00	rotary slide	/L	1	
(9)	911 211 046 00	rotary slide	/R	1	
10	999 507 222 02	mecano-speed-fix		2	
11	N 012 530 1	cotter pin 3 X 15		2	
12	999 522 023 00	spring		2	
13	911 211 683 00	clamping screw M 6		2	
14	911 659 101 00	caloric feeler		1	
15	999 190 129 02	blind rivet		2	
16	900 076 010 02	hexagon nut M 6		6	
17	N 012 226 5	spring washer B 6		6	

Model	Year	MG	SG	Illustration	Restrictions	Update	8:38	17.08.2004	PORSCHE	PET	PORSCHE
911	89	2	02	202-20		179					

Pos	Part Number	Name	Remarks	Qty	Model	Pos	Part Number	Name	Remarks	Qty	Model
		- - - E N D - - -									

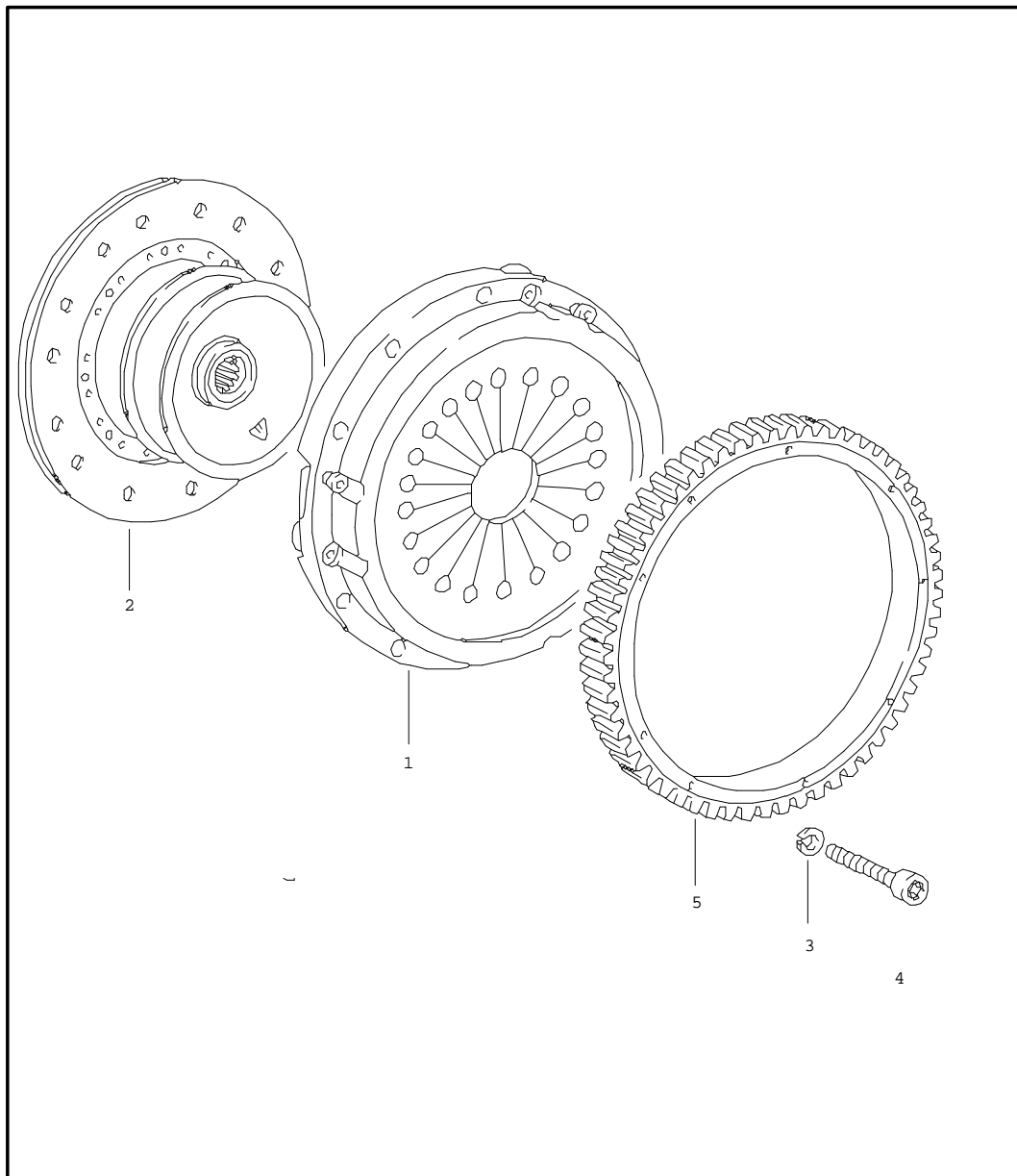
Model	Year	MG	SG	Illustration	Restrictions	Update	9:29	17.08.2004
911	89	2	98	REP		179		

Pos	Part Number	Name	Remarks	Qty	Model
>>	> 930 113 911 02	repair kits reconstruction set for subsequent installat. catalytic converter comprising: for cars with sheet metal cup for tank F >>91KS1 00958 F >>91KS1 40341 F >>91KS1 50414 F >>93KS0 00184 F >>93KS0 20083 F >>93KS0 10067		1	930.20/25
-	930 113 230 25	catalytic converter		1	
-	911 111 191 01	gasket		1	
-	930 111 193 03	gasket		1	
-	930 111 192 06	gasket		1	
-	900 074 282 02	hexagon-head bolt M 8 X 40		9	
-	900 910 097 02	lock nut		9	
-	930 113 208 07	catalytic converter cover		1	
-	930 113 196 00	retaining bracket		1	
-	930 111 197 03	retaining bracket		1	
-	999 507 326 02	captive nut		7	
-	900 075 057 02	hexagon-head bolt M 6 X 16		7	
-	N 011 666 7	washer		7	
-	911 201 049 05	filler neck		1	
-	930 606 124 00	oxygen sensor		1	
-	911 606 133 00	protection plate		1	
-	944 701 201 02	sticker		1	
-	000 043 057 00	installation instructions		1	
-	911 701 241 00	sticker		1	
-	900 083 080 00	hexagon-head bolt		1	
-	900 123 050 20	sealing ring		1	

Model	Year	MG	SG	Illustration	Restrictions	Update	9:29	17.08.2004
911	89	2	98	REP		179		

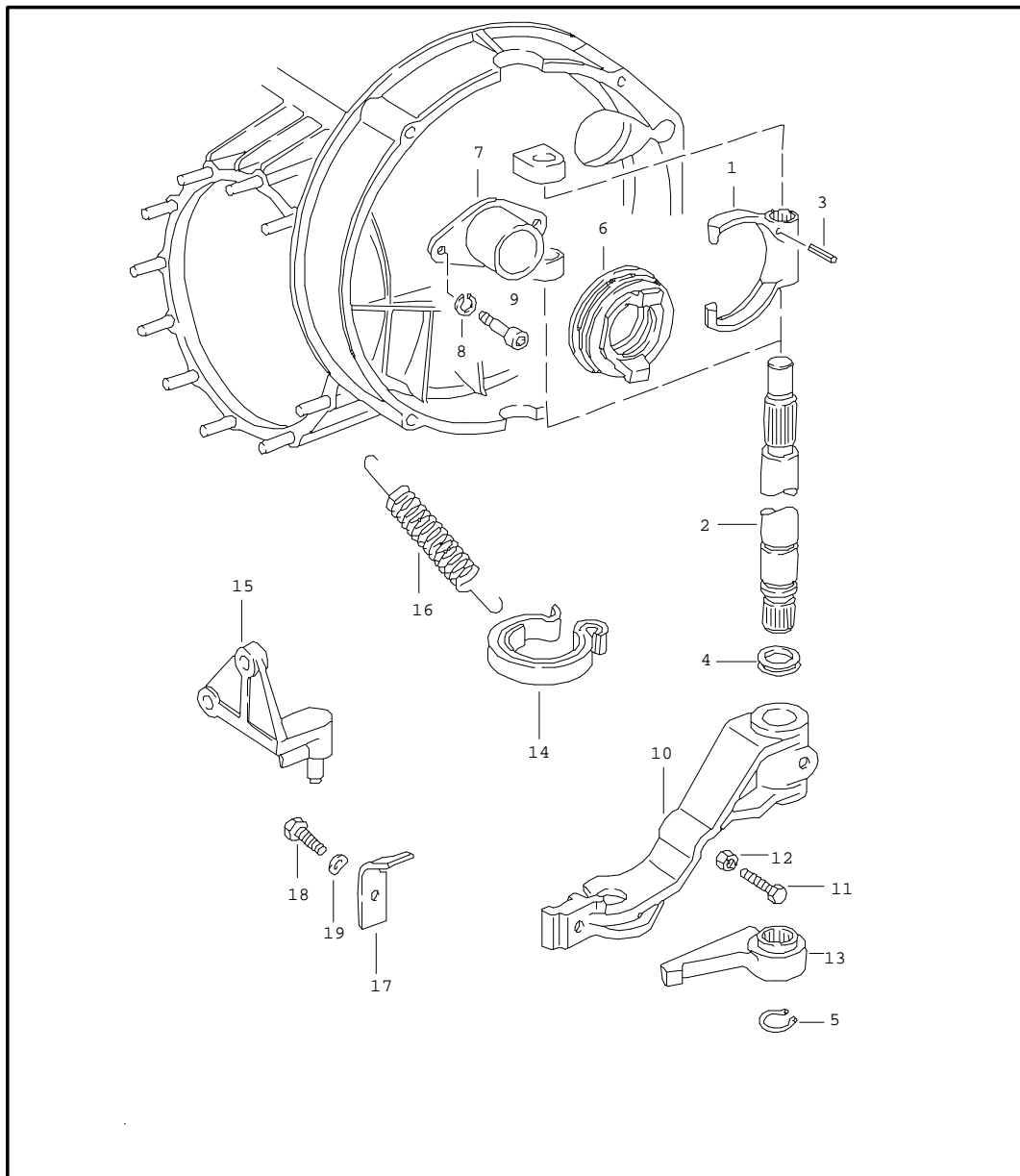
Pos	Part Number	Name	Remarks	Qty	Model
>>	> 930 113 911 03	reconstruction set for subsequent installat. catalytic converter comprising: for cars with plastic cup for tank F 91KS1 00959>> F 91KS1 40342>> F 91KS1 50415>> F 93KS0 00185>> F 93KS0 20084>> F 93KS0 10068>>		1	
-	930 113 230 25	catalytic converter		1	
-	911 111 191 01	gasket		1	
-	930 111 193 03	gasket		1	
-	930 111 192 06	gasket		1	
-	900 074 282 02	hexagon-head bolt M 8 X 40		9	
-	900 910 097 02	lock nut M 8		9	
-	930 113 208 07	catalytic converter cover		1	
-	930 113 196 00	retaining bracket		1	
-	930 111 197 03	retaining bracket		1	
-	999 507 326 02	captive nut M 6		7	
-	900 075 057 02	hexagon-head bolt M 6 X 16		7	
-	N 011 666 7	washer B 6,4		7	
-	911 201 049 07	filler neck		1	
-	930 606 124 00	oxygen sensor		1	
-	911 606 133 00	protection plate		1	
-	944 701 201 02	sticker		1	
-	000 043 057 00	installation instructions		1	
-	911 701 241 00	sticker		1	
-	900 083 080 00	hexagon-head bolt M 8 X 1		1	
-	900 123 050 20	sealing ring A 8 X 11,5		1	
		- - - E N D - - -			

Model	Year	MG	SG	Illustration	Restrictions	Update	8:38	17.08.2004	PORSCHE	PET	PORSCHE
911	89	3	01	301-00		179					



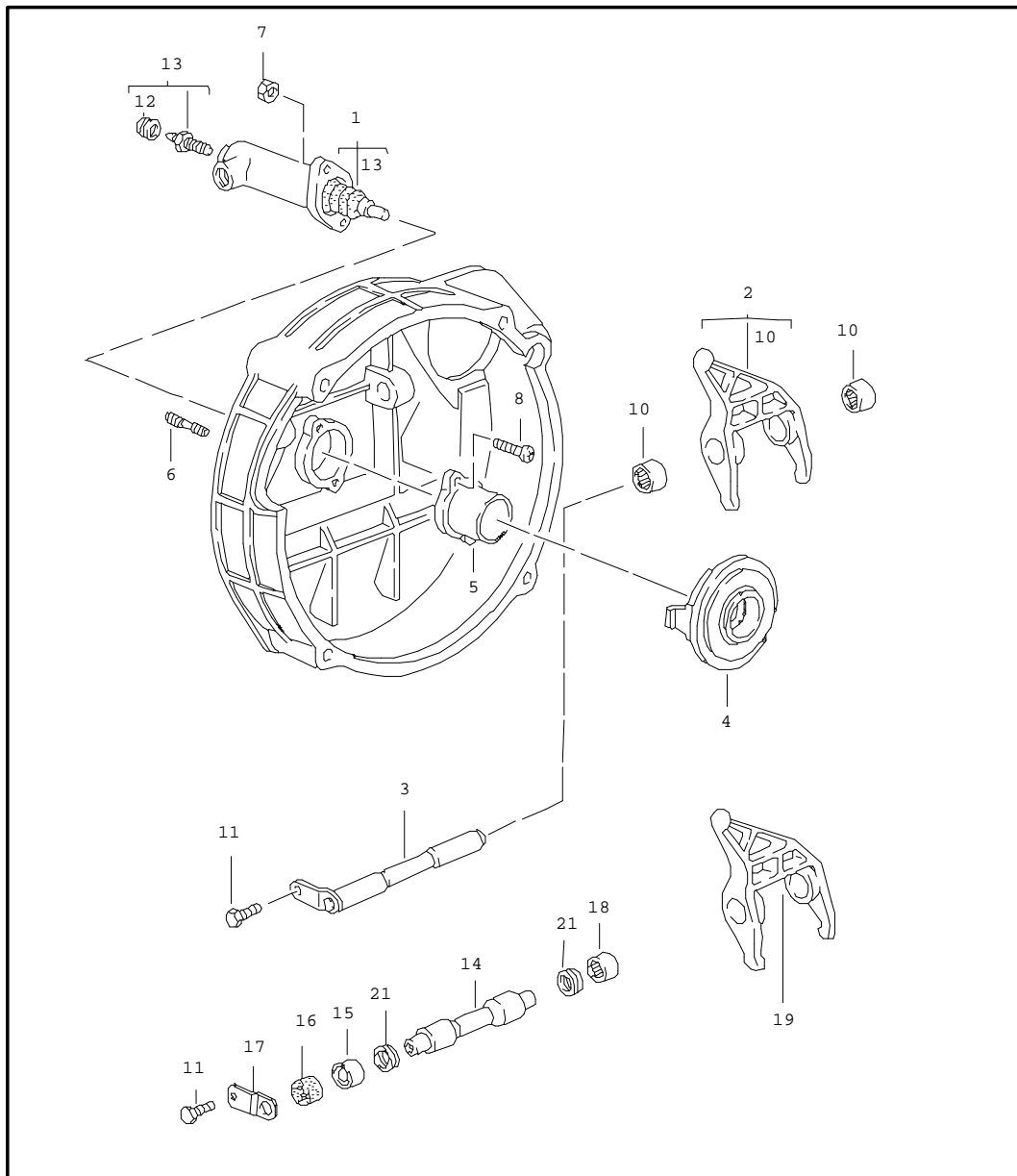
Pos	Part Number	Name	Remarks	Qty	Model
		clutch			
1	A 950 116 023 02	pressure plate	87	1	G50.00/01/02
1	> 950 116 023 02	pressure plate		1	G50.00/01/02
1	> 930 116 021 03	pressure plate		1	930.36
1	950 116 023 50	pressure plate		1	G50.50
2	950 116 012 04	clutch plate	-89	1	G50.00/01/02
2	950 116 012 51	clutch plate		1	930.36
2	950 116 012 51	clutch plate		1	G50.50
3	N 012 241 8	spring washer B 8		9	930.36
4	900 067 045 02	pan-head screw M 8 X 80		9	G50.00/01/02 G50.50
4	900 074 136 02	hexagon-head bolt M 8 X 80		9	930.36
5	930 116 230 02	starter ring		1	930.36
5	950 116 143 01	starter ring		1	G50.00/01/02 G50.50
-	950 116 911 00	repair kit for clutch		1	G50.00/01/02
- - - E N D - - -					

Model	Year	MG	SG	Illustration	Restrictions	Update	8:38	17.08.2004	PORSCHE	PET	PORSCHE
911	89	3	01	301-05		179					



Pos	Part Number	Name	Remarks	Qty	Model
		clutch release mechanical			930.36
1	930 116 712 02	release fork		1	
2	930 116 133 04	shaft		1	
3	900 095 050 00	tensioning sleeve		1	
4	930 301 139 00	sealing ring		2	
4	930 301 140 00	sealing ring		2	
5	N 012 418 1	circlip 18 X 1,2		1	
6	930 116 081 11	clutch release bearing		1	
7	930 116 813 00	guide tube		1	
8	N 012 006 4	lock ring B 6		2	
9	900 119 091 02	pan-head screw M 6 X 15		2	
10	930 116 713 06	clutch release lever		1	
11	900 075 033 02	hexagon-head bolt M 8 X 40		1	
12	N 011 118 11	hexagon nut M 8		1	
13	930 116 717 02	change lever		1	
14	930 116 064 09	spring		1	
(15)	930 116 611 06	bearing bracket		1	
16	915 116 614 02	tension spring		1	
17	930 116 714 06	spring hanger		1	
18	900 075 087 02	hexagon-head bolt M 8 X 16		1	
19	N 012 241 8	spring washer B 8		1	
-	999 701 482 40	o-ring		2	
		- - - E N D - - -			

Model	Year	MG	SG	Illustration	Restrictions	Update	8:38	17.08.2004	PORSCHE	PET	PORSCHE
911	89	3	01	301-07		179					

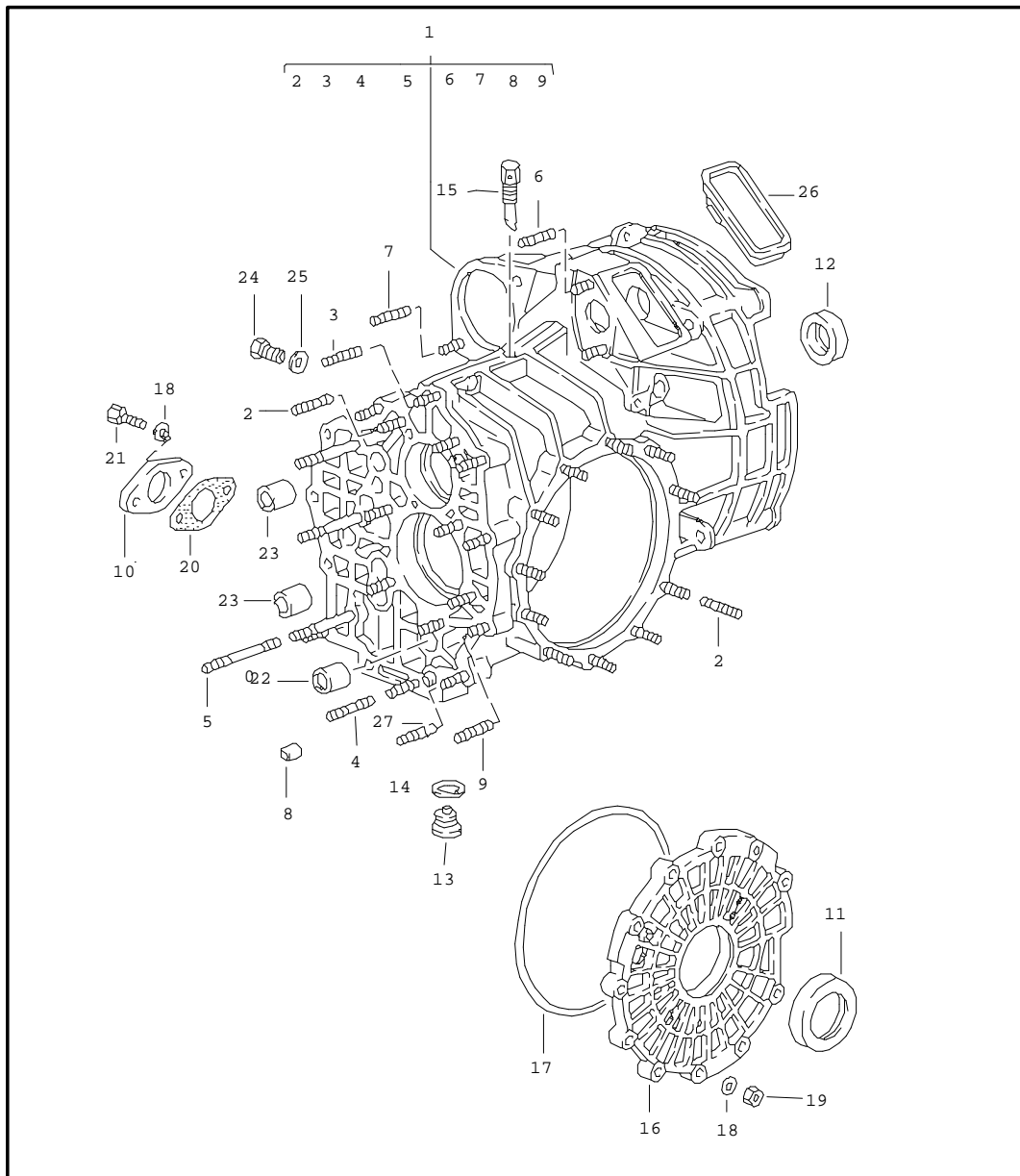


Pos	Part Number	Name	Remarks	Qty	Model
		clutch release hydraulic	/50		G50.00/01/02
1	A 950 116 237 04	clutch operating cylinder		1	G50.00/01/02
1	A 950 116 237 06	clutch operating cylinder		1	G50.00/01/02
1	950 116 237 07	clutch operating cylinder	-88	1	G50.00/01/02
1	950 116 237 10	clutch operating cylinder	89-	1	G50.00/01/02
				1	G50.50
2	A 950 116 086 03	release fork		1	G50.00/01/02
2	950 116 086 04	release fork		1	G50.00/01/02
				1	G50.50
3	950 116 071 01	operating shaft		1	G50.00/01/02
				1	G50.50
4	A 950 116 080 01	clutch release bearing		1	G50.00/01/02
4	950 116 080 02	clutch release bearing		1	G50.00/01/02
				1	G50.50
4	950 116 080 03	clutch release bearing		1	G50.50
5	950 116 813 06	guide tube		1	
6	999 062 007 02	stud BM 8 X 22		2	
7	900 076 025 02	hexagon nut M 8		2	
8	900 270 055 02	countersunk-head screw M 6 X 14		2	
10	999 201 321 00	needle sleeve 16 X 22 X 20		2	
11	900 075 057 02	hexagon-head bolt M 6 X 16		1	
12	901 351 927 10	dust boot		1	
13	928 351 945 03	ventilation valve		1	
14	950 116 710 04	operating shaft G5050 1K00695>> G5050 2K00539>>		1	G50.50

Model	Year	MG	SG	Illustration	Restrictions	Update	8:38	17.08.2004	PORSCHE	PET	PORSCHE
911	89	3	01	301-07		179					

Pos	Part Number	Name	Remarks	Qty	Model	Pos	Part Number	Name	Remarks	Qty	Model
15	999 201 339 00	bush G5050 1K00695>> G5050 2K00539>>		1	G50.50						
16	950 116 725 00	cover G5050 1K00695>> G5050 2K00539>>		1	G50.50						
17	950 116 713 02	retaining bracket G5050 1K00695>> G5050 2K00539>>		1	G50.50						
18	999 201 365 00	bush G5050 1K00695>> G5050 2K00539>>		1	G50.50						
19	950 116 086 06	release fork G5050 1K00695>> G5050 2K00539>>		1	G50.50						
21	999 113 418 40	gasket G5050 1K00695>> G5050 2K00539>>		2	G50.50						
		- - - E N D - - -									

Model	Year	MG	SG	Illustration	Restrictions	Update	8:38	17.08.2004	PORSCHE	PET	PORSCHE
911	89	3	02	302-00		179					



Pos	Part Number	Name	Remarks	Qty	Model
		replacement transmission transmission case	/50		G50.00/01/02
- A	950 300 010 00	replacement transmission 5-speed ready for installation		1	G50/00
-	950 300 010 05	replacement transmission 5-speed ready for installation		1	G50/00
- A	950 300 020 05	replacement transmission 5-speed ready for installation limited-slip differential		1	G50/00.12
-	950 300 020 05	replacement transmission 5-speed ready for installation limited-slip differential		1	G50/00.12
- A	950 300 010 06	replacement transmission 5-speed ready for installation		1	G50/01
-	950 300 010 06	replacement transmission 5-speed ready for installation		1	G50/01
- A	950 300 020 06	replacement transmission 5-speed ready for installation limited-slip differential	1 -	1	G50/01.12
-	950 300 020 06	replacement transmission 5-speed ready for installation limited-slip differential	1 -	1	G50/01.12
- A	950 300 010 07	replacement transmission 5-speed ready for installation		1	G50/02 (CH)
-	950 300 010 07	replacement transmission 5-speed		1	G50/02 (CH)
- A	950 300 020 02	replacement transmission 5-speed ready for installation limited-slip differential	2 -	1	G50/02.12 (CH)

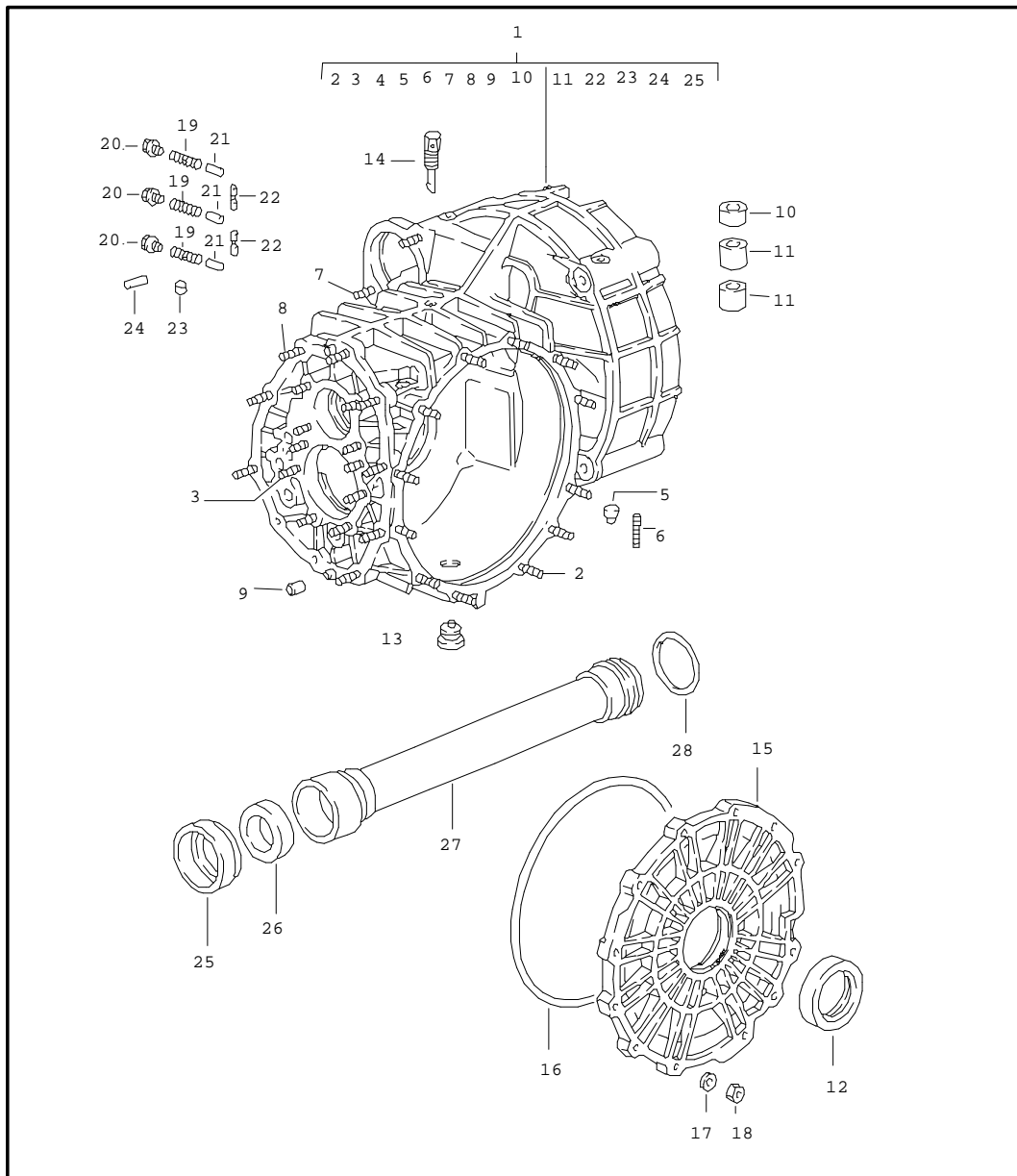
Model	Year	MG	SG	Illustration	Restrictions	Update	8:38	17.08.2004	PORSCHE	PET	PORSCHE
911	89	3	02	302-00		179					

Pos	Part Number	Name	Remarks	Qty	Model	Pos	Part Number	Name	Remarks	Qty	Model
-	950 300 020 07	replacement transmission 5-speed ready for installation limited-slip differential	2 -	1	G50/02.12 (CH)	8	900 012 144 00	straight pin 12 M 6 X 14		3	
-	950 300 010 50	replacement transmission 5-speed ready for installation		1	G50.50	9	999 062 006 02	stud BM 8 X 20		1	
-	950 300 020 50	replacement transmission 5-speed ready for installation limited-slip differential		1	G50.50.12	10	950 301 371 00	cover		1	G50.00/01/02
1	950 301 910 03	transmission case G >5050 1K00694 G >5050 2K00538		1	G50.00/01/02	11	999 113 347 40	shaft seal		2	
1	950 301 910 05	transmission case G5050 1K00695>> G5050 2K00539>>		1	G50.00/01/02	12	999 113 326 41	shaft seal		1	
1 A	950 301 910 53	transmission case G >5050 1K00694 G >5050 2K00538		1	G50.50	13	999 063 008 02	screw plug with magnet M 22 X 1,5		1	
1 A	950 301 910 55	transmission case G5050 1K00695>> G5050 2K00539>>		1	G50.50	14	900 123 011 30	sealing ring A 22 X 27		1	
1	950 301 910 55	transmission case		1	G50.50	15	950 301 071 00	bleeder		1	
2	999 062 008 02	stud M 8 X 25		18		16	950 301 312 01	transmission cover G >5050 1K00694 G >5050 2K00538		1	G50.00/01/02
2	N 044 506 1	stud M 8 X 38		7	G50.50	16	950 301 312 04	transmission cover G5050 1K00695>> G5050 2K00539>>		1	G50.00/01/02
3	999 062 009 02	stud M 8 X 28		5		16	950 301 311 53	transmission cover		1	G50.50
4	999 062 010 02	stud M 8 X 35		1		17	999 701 745 40	o-ring		1	
5	999 062 156 02	stud M 8 X 78		3		17	999 701 387 40	o-ring		1	G50.50
6	999 062 007 02	stud M 8 X 22		2		18	N 011 525 13	washer A 8,4		13	
7	999 062 182 02	stud M 10 X 25		1		19	900 076 025 02	hexagon nut M 8		12	
						20	928 332 776 00	flange gasket		1	G50.00/01/02
						21	900 075 099 02	hexagon-head bolt M 8 X 30		2	G50.00/01/02
						22	999 203 004 10	bush 16 X 22 X 27		1	
						22	999 203 004 10	bush 16 X 22 X 27		1	
						23	999 203 003 00	bearing sleeve 16 X 22 X 20		3	

Model	Year	MG	SG	Illustration	Restrictions	Update	8:38	17.08.2004	PORSCHE	PET	PORSCHE
911	89	3	02	302-00		179					

Pos	Part Number	Name	Remarks	Qty	Model	Pos	Part Number	Name	Remarks	Qty	Model
24	900 124 008 02	screw plug M 12 X 1,5		1							
25	900 123 043 30	sealing ring A 12 X 15,5		1							
26	950 301 151 01	cap		1							
27	999 062 044 02	stud BM 8 X 30		1	G50.00/01/02						
27	999 062 009 02	stud M 8 X 28		1	G50.50						
		- - - E N D - - -									

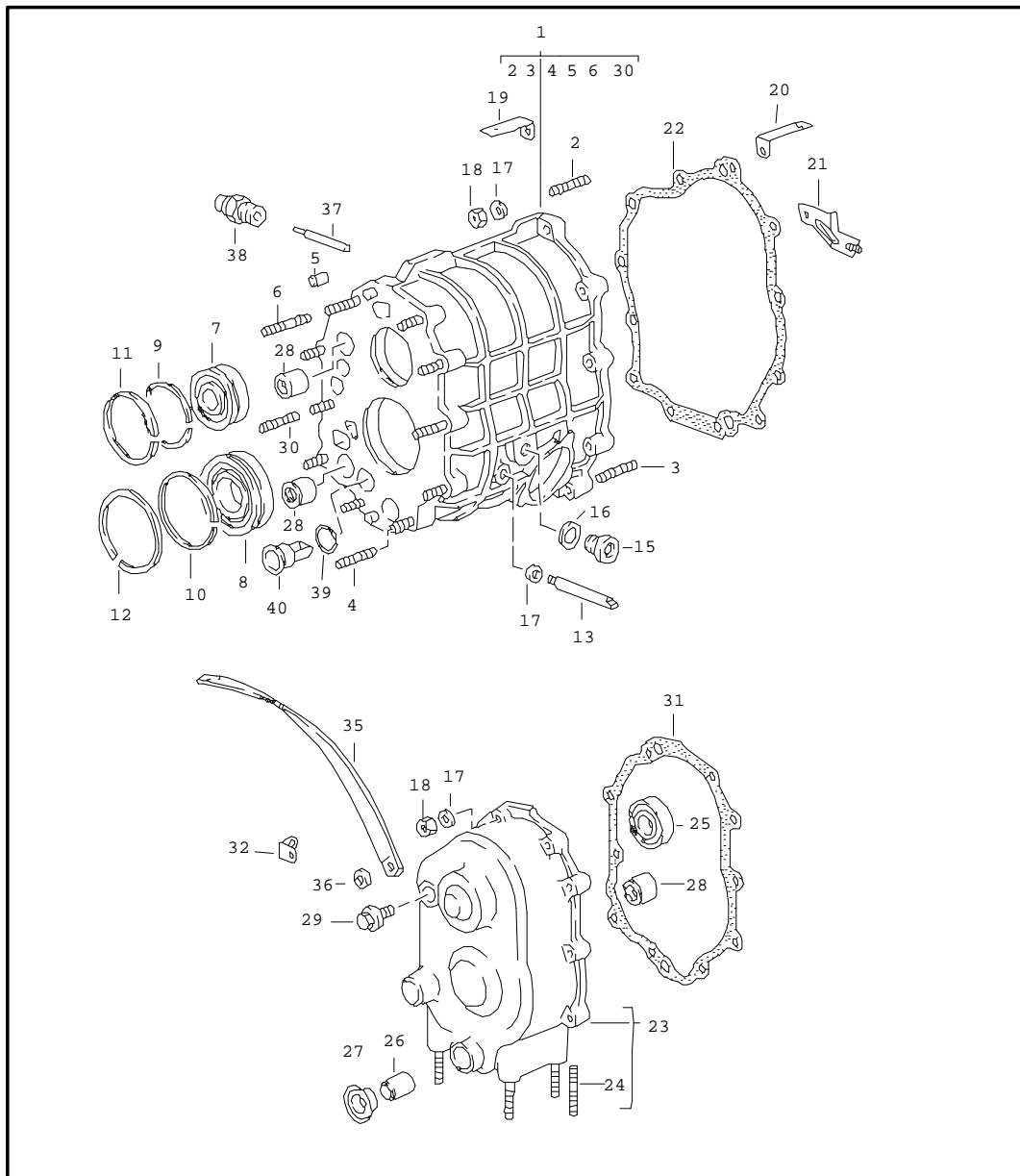
Model	Year	MG	SG	Illustration	Restrictions	Update	8:39	17.08.2004	PORSCHE	PET	PORSCHE
911	89	3	02	302-02		179					



Model	Year	MG	SG	Illustration	Restrictions	Update	8:39	17.08.2004	PORSCHE	PET	PORSCHE
911	89	3	02	302-02		179					

Pos	Part Number	Name	Remarks	Qty	Model	Pos	Part Number	Name	Remarks	Qty	Model
17	N 012 241 8	spring washer B 8		12							
18	900 076 025 02	hexagon nut M 8		12							
19	915 303 232 00	spring		3							
20	900 075 352 02	hexagon-head bolt M 10 X 8		3							
21	915 303 131 00	detent		3							
22	930 303 131 00	detent		2							
23	999 501 028 30	plug		1							
24	900 308 026 00	roll pin 3,5 X 22		2							
25	930 301 133 00	guide ring		1							
26	930 302 332 00	shaft seal		1							
27	930 302 053 00	pipe		1							
28	999 701 440 40	o-ring		1							
		- - - E N D - - -									

Model	Year	MG	SG	Illustration	Restrictions	Update	8:39	17.08.2004	PORSCHE	PET	PORSCHE
911	89	3	02	302-05		179					

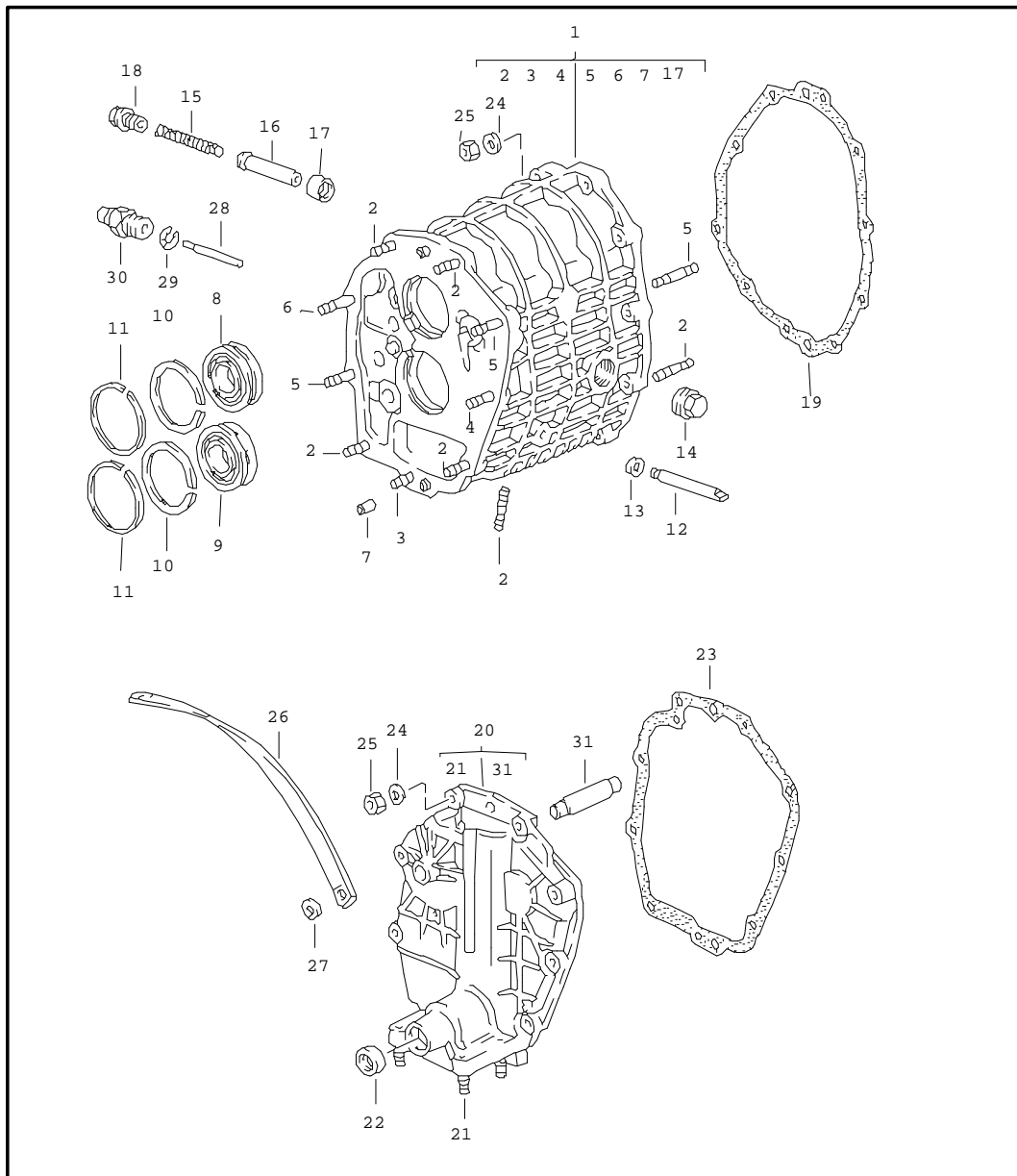


Pos	Part Number	Name	Remarks	Qty	Model
		gear housing transmission cover	/50		G50/00/01/02
1	950 301 911 03	gear housing		1	
2	999 062 009 02	stud M 8 X 28		3	
3	999 062 010 02	stud M 8 X 35		1	
4	999 062 008 02	stud M 8 X 25		7	
5	900 012 144 00	straight pin 12 M6 X 14		2	
6	999 062 119 02	stud M 8 X 40		2	
7	999 110 142 03	cylindrical-roller bearing 25 X 62 X 17 35 X 80 X 18		1	
8	999 110 109 01	cylindrical-roller bearing 35 X 80 X 18		1	
9	900 111 001 00	snap ring SP 62		1	
10	N 100 709 01	snap ring SP 80		1	
11	999 152 031 01	snap ring SB 68		1	
12	999 152 106 00	snap ring SB 87		1	
13	914 301 307 00	bolt for reverse lever		1	
14	900 031 001 02	washer		1	
15	900 219 001 30	screw plug		1	
16	900 123 011 30	sealing ring A 22 X 27		1	
17	900 025 007 02	washer A 8,4		21	

Model	Year	MG	SG	Illustration	Restrictions	Update	8:39	17.08.2004	PORSCHE	PET	PORSCHE
911	89	3	02	302-05		179					

Pos	Part Number	Name	Remarks	Qty	Model	Pos	Part Number	Name	Remarks	Qty	Model
18	900 076 025 02	hexagon nut M 8		20				- - - E N D - - -			
19	911 606 225 00	retaining bracket		1							
20	911 606 229 00	retaining bracket		2							
21	950 301 027 00	retaining bracket		1							
22	950 301 191 01	gasket		1							
23	950 301 913 03	transmission cover		1							
24	999 062 010 02	stud M 8 X 35		4							
25	999 110 144 00	cylindrical-roller bearing 20 X 47 X 14		1							
26	999 203 004 10	bush	-88	1							
26	999 924 059 00	bearing sleeve 16,05	89-	1							
27	A 999 113 404 40	shaft seal		1							
27	999 113 404 40	shaft seal 16 X 24 X 7,5		1							
28	999 203 003 00	bearing sleeve		3							
29	950 302 230 00	screw plug		1							
30	999 062 044 02	stud M 8 X 30		1							
31	950 301 351 02	gasket		1							
32	911 606 227 00	retaining bracket		1							
35	999 611 920 20	ground strap		1							
36	999 151 022 02	washer 20 X 8,4 X 2		2							
37	950 303 240 01	cam follower		1							
38	914 613 541 02	back-up light switch		1							
39	999 701 734 40	sealing ring 29,5 X 1,5 N		1							
40	950 301 120 00	oil tube		1							

Model	Year	MG	SG	Illustration	Restrictions	Update	8:39	17.08.2004	PORSCHE	PET	PORSCHE
911	89	3	02	302-07		179					

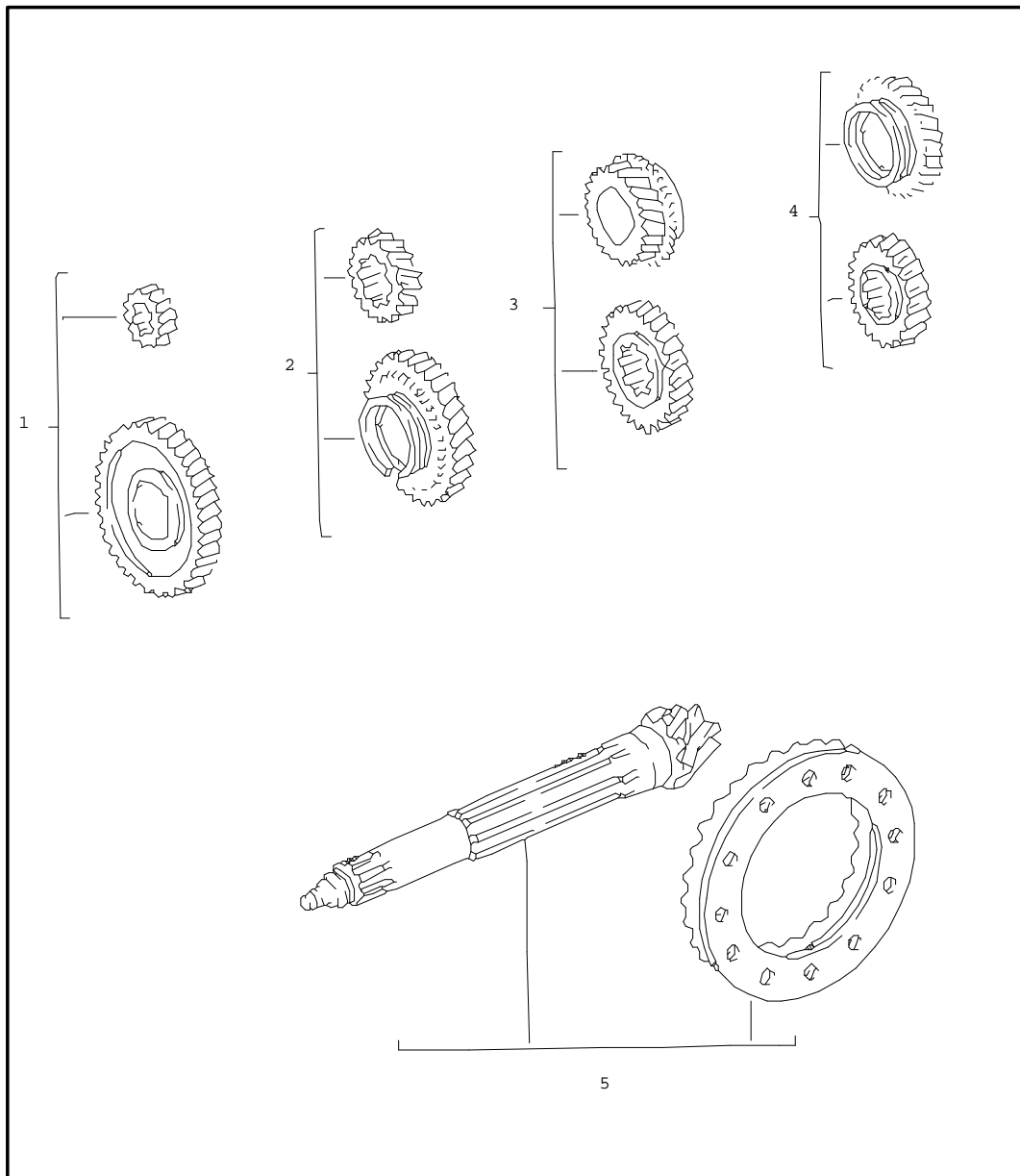


Pos	Part Number	Name	Remarks	Qty	Model
		gear housing transmission cover			930.36
1	930 301 911 00	gear housing		1	
2	999 062 139 02	stud BM 8 X 26		9	
3	999 062 007 02	stud BM 8 X 22		1	
4	999 062 009 02	stud BM 8 X 28		1	
5	999 062 010 02	stud BM 8 X 35		3	
6	999 062 052 02	stud BM 8 X 42		1	
7	900 012 110 00	straight pin 10 M 6 X 14		2	
8	999 110 025 00	cylindrical-roller bearing		1	
9	999 110 076 00	cylindrical-roller bearing		1	
10	900 111 001 00	snap ring SP 62		2	
11	999 152 031 01	snap ring SB 68		2	
12	914 301 307 00	bolt for reverse lever		1	
13	N 011 525 13	washer A 8,4		1	
14	900 064 009 02	screw plug M 30 X 1,5		1	
15	930 303 230 08	spring		1	
16	930 303 135 01	detent		1	
17	999 504 107 00	threaded insert M 16 X 1,5		1	
18	930 303 253 01	screw plug M 16 X 1,5		1	
19	930 301 191 00	gasket		1	

Model	Year	MG	SG	Illustration	Restrictions	Update	8:39	17.08.2004	PORSCHE	PET	PORSCHE
911	89	3	02	302-07		179					

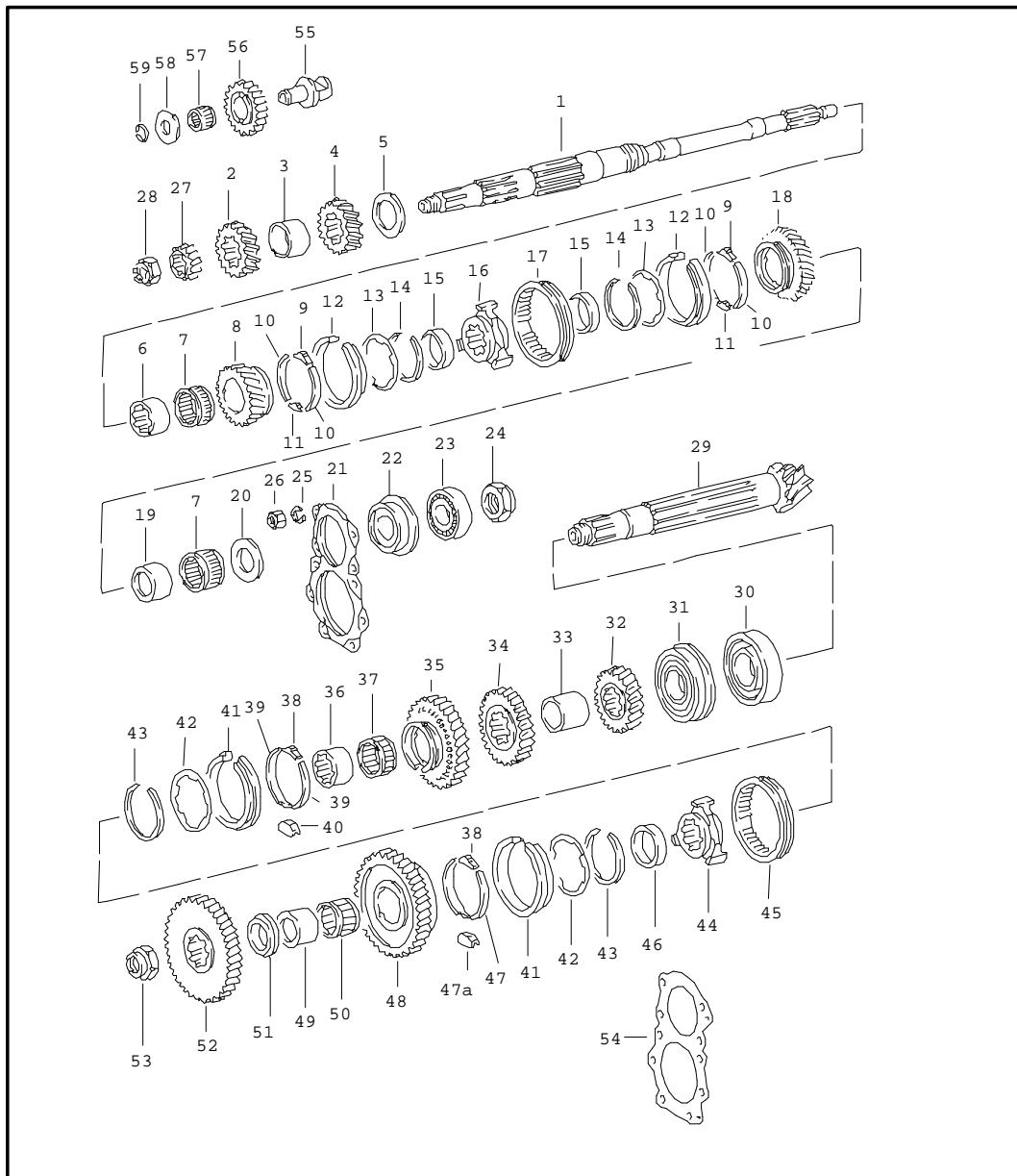
Pos	Part Number	Name	Remarks	Qty	Model	Pos	Part Number	Name	Remarks	Qty	Model
20	930 301 903 00	transmission cover		1							
21	999 062 007 02	stud BM 8 X 22		4							
22	999 113 185 40	shaft seal 15 X 24 X 7		1							
23	930 301 351 00	gasket		1							
24	N 012 241 8	spring washer B 8		19							
25	900 076 025 02	hexagon nut M 8		19							
26	999 611 920 20	ground strap		1							
27	999 151 022 02	washer 20 X 8		2							
28	930 303 175 01	pin		1							
29	999 041 503 01	locking ring 4 X 0,8		1							
30	914 613 541 02	back-up light switch		1							
31	930 302 228 00	bolt		1							
		- - - E N D - - -									

Model	Year	MG	SG	Illustration	Restrictions	Update	8:39	17.08.2004	PORSCHE	PET	PORSCHE
911	89	3	03	303-00		179					



Pos	Part Number	Name	Remarks	Qty	Model
		gear sets 4-speed			930.36
1	930 302 901 06	gear set 1st gear Z = 16:36 (FA)		1	
2	930 302 902 04	gear set 2nd gear Z = 23:30 (NU)		1	
3	930 302 903 02	gear set 3rd speed Z = 28:25 (SP)		1	
4	930 302 904 03	gear set 4th speed Z = 32:20 (WK)		1	
5	930 302 911 01	ring gear and pinion shaft 9:38		1	
		- - - E N D - - -			

Model	Year	MG	SG	Illustration	Restrictions	Update	8:39	17.08.2004	PORSCHE	PET	PORSCHE
911	89	3	03	303-05		179					

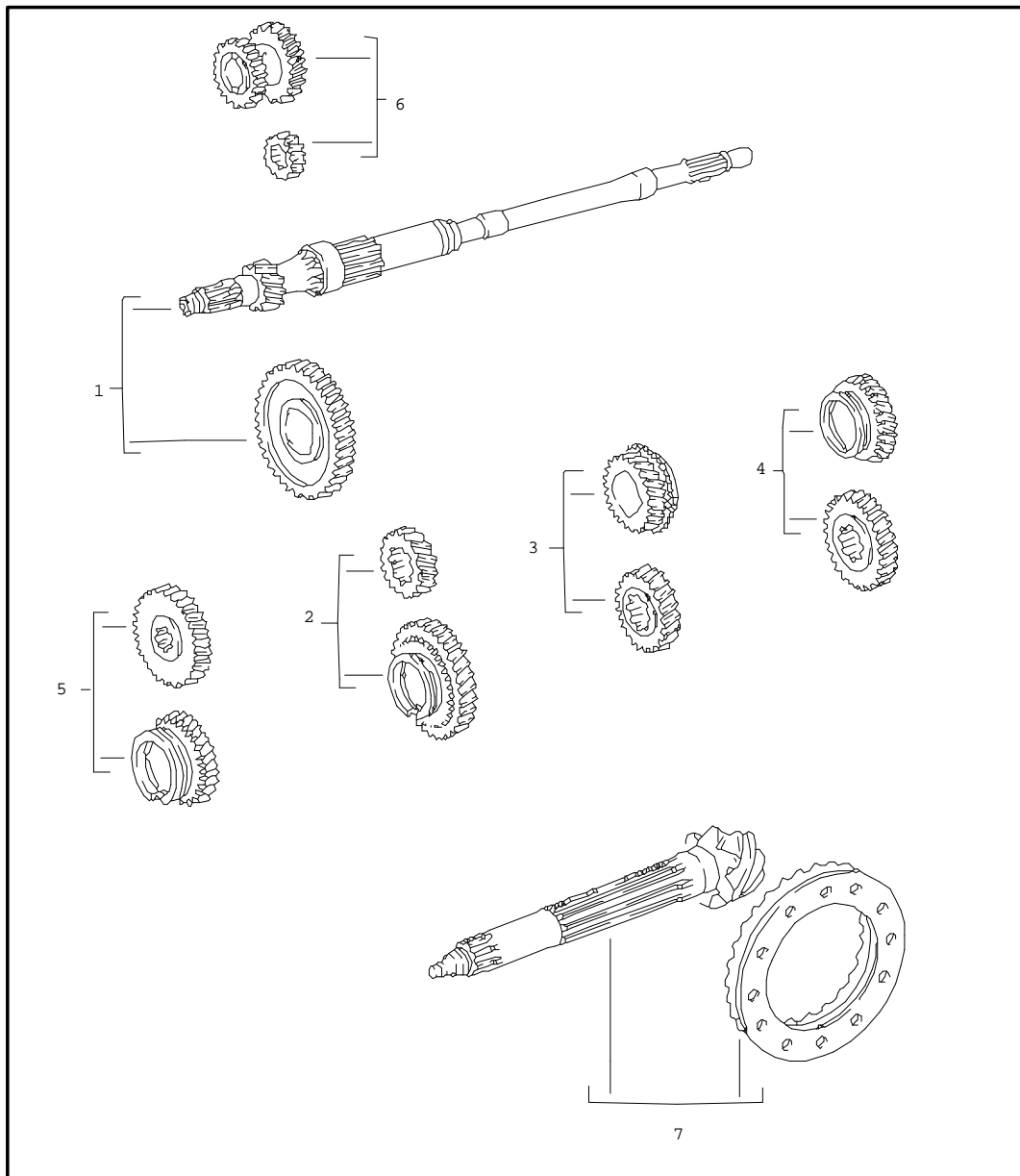


Pos	Part Number	Name	Remarks	Qty	Model
		gears and shafts 4-speed			930.36
		gear sets see group 3/03/00			
1	930 302 101 01	drive shaft		1	
2	-	fixed gear wheel 1st gear		1	
3	930 302 265 00	spacer sleeve		1	
4	-	fixed gear wheel 2nd gear		1	
5	930 302 293 00	thrust washer		1	
6	930 302 263 00	bush 3rd speed		1	
7	999 201 470 00	needle cage		2	
8	-	loose gear wheel 3rd speed		1	
9	930 302 325 00	stone 3rd, 4th speed		2	
10	911 302 316 00	brake band 3rd, 4th speed		4	
11	911 302 317 01	stop 3rd, 4th speed		2	
12	930 302 303 00	synchroniser ring 3rd, 4th speed		2	
13	930 302 311 00	lock washer		2	
14	930 302 313 01	snap ring		2	
15	930 302 274 00	spacer ring		2	
16	930 302 402 00	guide sleeve		1	
17	911 302 411 20	shift sleeve		1	
18	-	loose gear wheel 4th speed		1	
19	930 302 264 00	bush 4th speed		1	

Model	Year	MG	SG	Illustration	Restrictions	Update	8:39	17.08.2004	PORSCHE	PET	PORSCHE
911	89	3	03	303-05		179					

Pos	Part Number	Name	Remarks	Qty	Model	Pos	Part Number	Name	Remarks	Qty	Model
20	930 302 291 00	thrust washer		1		42	930 302 331 00	lock washer		2	
21	930 302 121 00	tensioning plate		1		43	930 302 333 01	snap ring		2	
22	999 052 030 00	four-point bearing		1		44	930 302 401 00	guide sleeve		1	
23	930 302 391 00	cylindrical-roller bearing		1		45	930 302 411 01	shift sleeve		1	
24	930 302 281 00	collar nut		1		46	930 302 271 00	spacer ring		1	
25	900 027 015 02	lock ring		10		47	928 302 319 08	double barricade tape 1st gear		1	
26	900 076 025 02	hexagon nut M 8		10		47A	928 302 320 01	stop 1st gear		1	
27	930 302 221 00	reverse gear wheel		1		48	-	loose gear wheel 1st gear		1	
28	930 302 451 00	collar nut		1		49	930 302 261 00	inner ring		1	
29	-	drive shaft		1		50	999 201 156 00	needle cage		1	
30	999 110 146 00	cylindrical-roller bearing		1		51	930 302 292 00	thrust washer		1	
31	917 301 391 00	four-point bearing		1		52	930 302 223 00	reverse gear wheel		1	
32	-	fixed gear wheel 4th speed		1		53	930 302 453 00	collar nut		1	
33	930 302 266 02	spacer ring		1		54	915 302 268 03	adjusting shim 0,10 MM		X	
34	-	fixed gear wheel 3rd speed		1		54	915 302 268 04	adjusting shim 0,15 MM		X	
35	-	loose gear wheel 2nd gear		1		54	915 302 268 05	adjusting shim 0,20 MM		X	
36	930 302 262 00	bush 2nd gear		1		55	930 302 269 01	sleeve		1	
37	999 201 047 00	needle cage		2		56	930 302 222 00	reverse gear wheel		1	
38	930 302 315 00	stone 2nd gear		1		57	999 201 115 00	needle cage		1	
38	930 302 316 00	stone 1st gear		1		58	930 302 229 00	washer		1	
39	928 302 318 02	double barricade tape 2nd gear		2		59	999 152 053 01	snap ring		1	
40	928 302 322 00	stop 2nd gear		1				- - - E N D - - -			
41	930 302 301 00	synchroniser ring		2							

Model	Year	MG	SG	Illustration	Restrictions	Update	8:40	17.08.2004	PORSCHE	PET	PORSCHE
911	89	3	03	303-10		179					

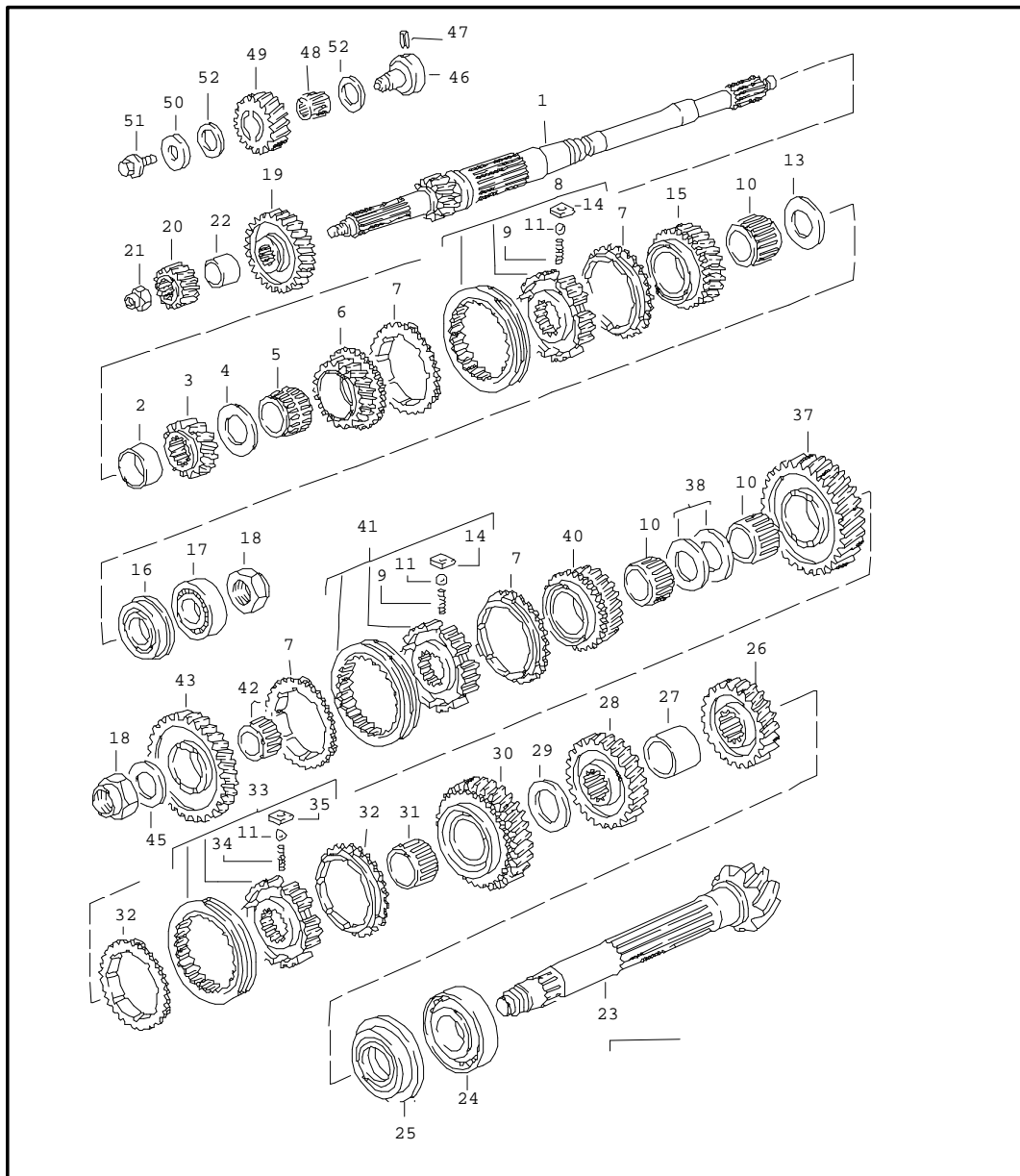


Pos	Part Number	Name	Remarks	Qty	Model
		gear sets 5-speed G50.00	/50		G50.00/01/02
1	950 302 901 11	gear set 1st gear Z = 42 : 12		1	
2	950 302 902 02	gear set 2nd gear Z = 35 : 17		1	
3	950 302 903 04	gear set 3rd speed Z = 31 : 22		1	
4	950 302 904 12	gear set 4th speed Z = 29 : 27		1	
5	950 302 905 27	gear set 5th speed Z = 31 : 36	87	1	
5	950 302 905 40	gear set 5th speed Z = 33 : 38	88-	1	
6	950 302 907 03	gear set reverse gear		1	
7	950 302 911 05	ring gear and pinion shaft 9 : 31	-88	1	
7	950 302 911 05	ring gear and pinion shaft 9 : 31	89-	1	
		G50.01			
1	950 302 901 11	gear set 1st gear Z = 42 : 12		1	
2	950 302 902 02	gear set 2nd gear Z = 35 : 17		1	
3	950 302 903 04	gear set 3rd speed Z = 31 : 22		1	

Model	Year	MG	SG	Illustration	Restrictions	Update	8:40	17.08.2004	PORSCHE	PET	PORSCHE
911	89	3	03	303-10		179					

Pos	Part Number	Name	Remarks	Qty	Model	Pos	Part Number	Name	Remarks	Qty	Model
4	950 302 904 07	gear set 4th speed Z = 36 : 32		1		7	950 302 911 05	ring gear and pinion shaft 9 : 31	89-	1	
5	950 302 905 46	gear set 5th speed Z = 32 : 36	87	1			G50.50				
5	950 302 905 46	gear wheel pair 5th speed Z = 33 : 37	88-	1		1	950 302 901 60	gear set 1st gear Z = 41 : 13		1	
6	950 302 907 03	gear set reverse gear		1		2	950 302 902 27	gear set 2nd gear Z = 34 : 19		1	
7	950 302 911 05	ring gear and pinion shaft 9 : 31	-88	1		3	950 302 903 16	gear set 3rd speed Z = 33 : 26		1	
7	950 302 911 05	ring gear and pinion shaft 9 : 31	89-	1		4	950 302 904 21	gear set 4th speed Z = 29 : 30		1	
		G50.02				5	950 302 905 60	gear set 5th speed Z = 31 : 41		1	
1	950 302 901 15	gear set 1st gear Z = 41 : 13		1		6	950 302 907 03	gear set reverse gear Z = 40 : 41 : 14		1	
2	950 302 902 10	gear set 2nd gear Z = 36 : 19		1		7	950 302 911 70	ring gear and pinion shaft Z = 9 : 31		1	
3	950 302 903 07	gear set 3rd speed Z = 32 : 24		1				- - - E N D - - -			
4	950 302 904 03	gear set 4th speed Z = 29 : 28		1							
5	950 302 905 27	gear set 5th speed Z = 31 : 36	87	1							
5	950 302 905 40	gear set 5th speed Z = 33 : 38	88-	1							
6	950 302 907 03	gear set reverse gear		1							
7	950 302 911 05	ring gear and pinion shaft 9 : 31	-88	1							

Model	Year	MG	SG	Illustration	Restrictions	Update	8:40	17.08.2004	PORSCHE	PET	PORSCHE
911	89	3	03	303-15		179					

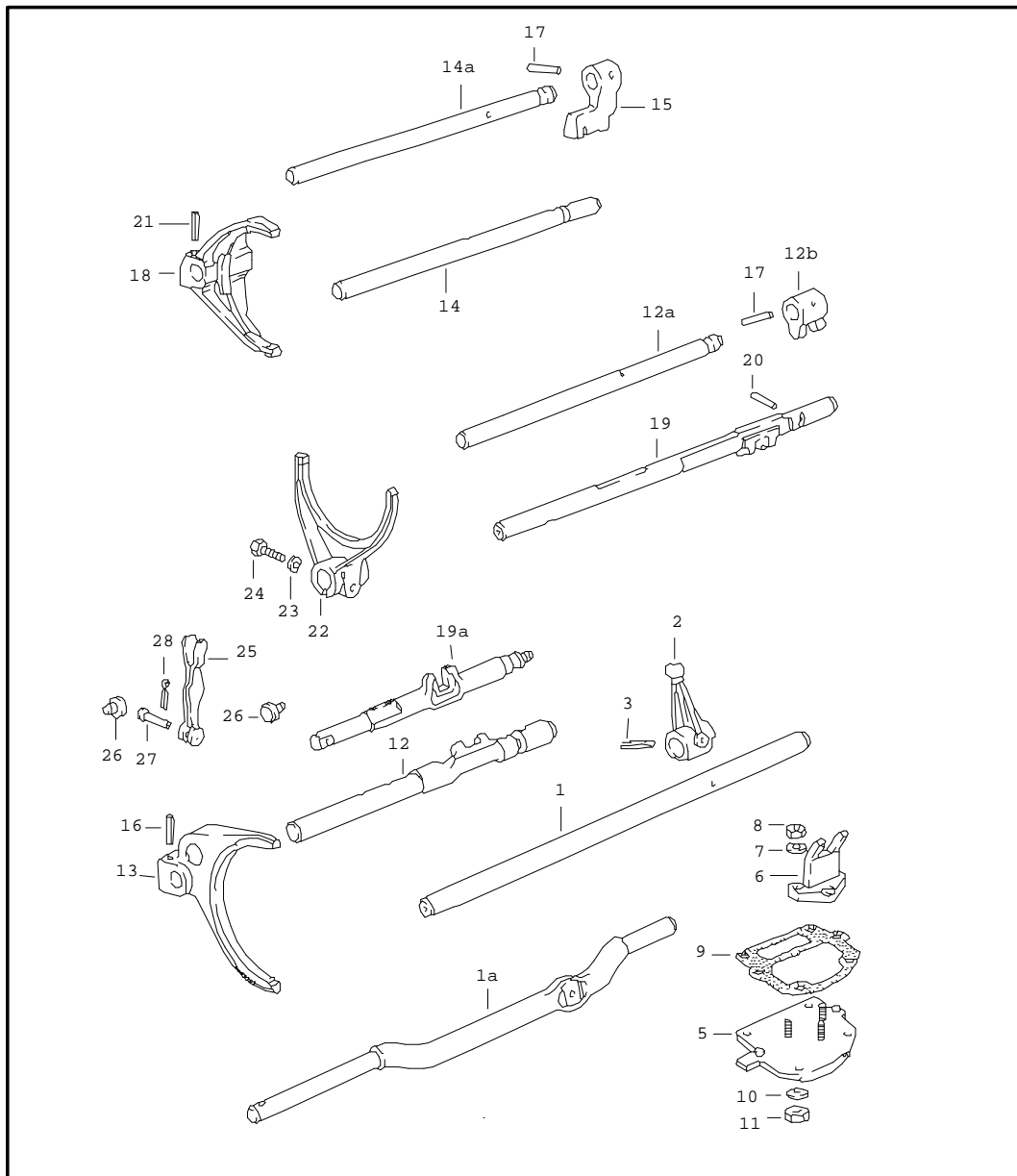


Pos	Part Number	Name	Remarks	Qty	Model
		gears and shafts 5-speed	/50		G50.00/01/02
		gear sets see group 3/03/10			
1	-	drive shaft		1	
2	950 302 266 01	bush		1	
3	-	fixed gear wheel 2nd gear		1	
4	950 302 293 05	thrust washer		1	
5	999 201 259 01	needle cage 38 X 50 X 32,2		1	
6	-	loose gear wheel 3rd speed		1	
7	928 304 211 05	synchroniser ring		4	
8 A	950 304 221 04	guide sleeve 3rd, 4th speed		1	
8 A	950 304 021 06	guide sleeve 3rd, 4th speed		1	
8	950 304 021 06	guide sleeve 3rd, 4th speed		1	
9	928 304 261 01	compression spring		6	
10	999 201 239 02	needle cage 35 X 50 X 32,2		3	
11	N 025 653 2	ball \$ = 6,5 MM		9	
13	950 302 294 05	thrust washer		1	
14	928 304 251 00	stone		6	
15	-	loose gear wheel 4th speed		1	
16	999 052 094 00	four-point bearing		1	
17	999 110 117 01	cylindrical-roller bearing 30 X 62 X 20		1	
18	999 034 033 00	hexagon nut		2	

Model	Year	MG	SG	Illustration	Restrictions	Update	8:40	17.08.2004	PORSCHE	PET	PORSCHE
911	89	3	03	303-15		179					

Pos	Part Number	Name	Remarks	Qty	Model	Pos	Part Number	Name	Remarks	Qty	Model
19	-	fixed gear wheel 5th speed		1		40	-	loose gear wheel 5th speed		1	
20	-	reverse gear wheel		1		41	A 950 304 021 05	guide sleeve		1	
21	950 302 281 01	lock nut		1		41	950 304 021 05	guide sleeve 5-speed reverse gear		1	
22	950 302 268 02	bush		1		42	999 201 253 00	needle cage		1	
23	-	drive shaft		1		43	-	loose gear wheel reverse gear		1	
24	999 110 119 01	cylindrical-roller bearing 40 X 90 X 23		1		45	950 302 296 00	thrust washer		1	
25	999 052 088 00	four-point bearing		1	G50.00/01/02	46	950 302 228 01	bolt	-88	1	
25	999 052 164 00	four-point bearing		1	G50.50	46	A 950 302 228 03	bolt	89-	1	
26	-	fixed gear wheel 4th speed		1		46	950 302 228 03	bolt	89-	1	
27	950 302 267 01	spacer sleeve		1		47	N 013 302 1	roll pin		1	
28	-	fixed gear wheel 3rd speed		1		48	999 201 227 00	needle cage		1	
29	950 302 292 00	thrust washer		1		49	-	reverse idler gear		1	
30	-	loose gear wheel 2nd gear		1		50	950 302 297 00	thrust washer	-88	1	
31	999 201 225 04	needle-roller bearing		1		50	950 302 297 10	thrust washer	89-	1	G50.50
32	950 304 311 02	synchroniser ring		2		51	950 302 230 00	screw plug		1	
33	A 950 304 031 03	guide sleeve		1		52	950 302 297 12	thrust washer	89-	2	G50.50
33	950 304 031 03	guide sleeve 1st/2nd gear		1				- - - E N D - - -			
34	928 304 261 00	compression spring		3							
35	950 304 351 00	stone		3							
36	A 950 304 031 03	guide sleeve		2							
37	-	loose gear wheel 1st gear		1							
38	950 302 295 07	thrust washer see q-information NR.4/87 1st gear 5th speed		2							

Model	Year	MG	SG	Illustration	Restrictions	Update	8:40	17.08.2004	PORSCHE	PET	PORSCHE
911	89	3	04	304-00		179					

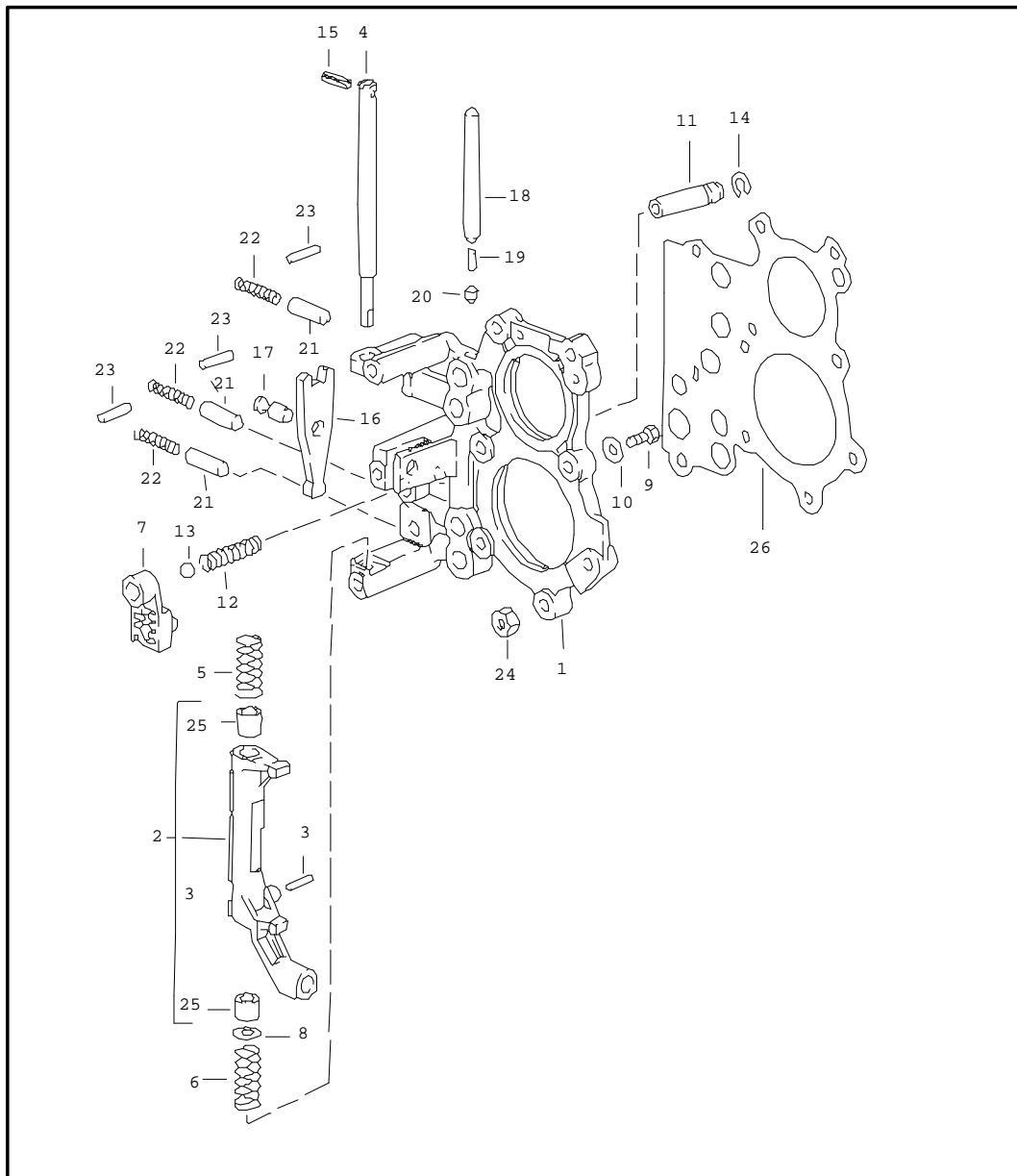


Pos	Part Number	Name	Remarks	Qty	Model
		shift rods forks for 4-speed and 5-speed			
1	950 303 109 05	gear shift rod	/50	1	G50.00/01/02
1A	930 303 132 00	gear shift rod		1	930.36
2	950 303 120 01	shift lever	/50	1	G50.00/01/02
(2)	930 303 133 00	shift lever		1	930.36
(3)	901 303 171 01	bolt		1	930.36
3	900 309 024 00	roll pin 5 X 26	/50	1	G50.00/01/02
-	N 012 512 1	cotter pin 2 X 12		1	930.36
5	915 303 023 02	cover		1	930.36
6	930 303 129 02	fork		1	930.36
7	900 027 014 01	lock ring B 6		3	930.36
8	900 076 010 02	hexagon nut M 6		3	930.36
9	915 303 225 00	gasket		1	930.36
10	N 012 241 8	spring washer B 8		4	930.36
11	900 076 025 02	hexagon nut M 8		4	930.36
12	950 303 101 00	gear shift rod 1st/2nd gear	/50	1	G50.00/01/02
12A	930 303 101 01	gear shift rod 1st/2nd gear		1	930.36
12B	930 303 111 03	fork		1	930.36
13	950 303 111 01	shift fork 1st/2nd gear	/50	1	G50.00/01/02
(13)	930 303 110 02	shift fork 1st/2nd gear		1	930.36

Model	Year	MG	SG	Illustration	Restrictions	Update	8:40	17.08.2004	PORSCHE	PET	PORSCHE
911	89	3	04	304-00		179					

Pos	Part Number	Name	Remarks	Qty	Model	Pos	Part Number	Name	Remarks	Qty	Model
14	950 303 103 00	gear shift rod 3rd, 4th speed	/50	1	G50.00/01/02			- - - E N D - - -			
14A	930 303 103 01	gear shift rod 3rd, 4th speed		1	930.36						
15	930 303 115 03	fork		1	930.36						
16	900 095 017 01	roll pin 5 X 24	/50	2	G50.00/01/02						
17	900 309 003 00	roll pin 5 X 24		2	930.36						
18	950 303 113 04	shift fork 3rd, 4th speed	/50	1	G50.00/01/02						
(18)	930 303 112 02	shift fork 3rd, 4th speed		1	930.36						
19	950 303 105 04	gear shift rod reverse gear 5th speed	/50	1	G50.00/01/02						
19A	930 303 105 03	gear shift rod reverse gear		1	930.36						
20	950 303 143 00	detent	/50	1	G50.00/01/02						
21	N 013 317 1	roll pin 5 X 28	/50	2	G50.00/01/02						
22	950 303 115 03	shift fork reverse gear 5th speed	/50	1	G50.00/01/02						
23	N 012 228 3	spring washer B 8		3	930.36						
23	N 011 525 13	washer A 8,4	/50	1	G50.00/01/02						
24	900 075 099 02	hexagon-head bolt M 8 X 30		4							
25	930 303 019 01	reverse lever		1	930.36						
26	930 303 121 00	spacer bolt		2	930.36						
27	930 303 123 01	bolt		1	930.36						
28	N 012 502 1	cotter pin 1,6 X 10		1	930.36						

Model	Year	MG	SG	Illustration	Restrictions	Update	8:40	17.08.2004	PORSCHE	PET	PORSCHE
911	89	3	04	304-05		179					

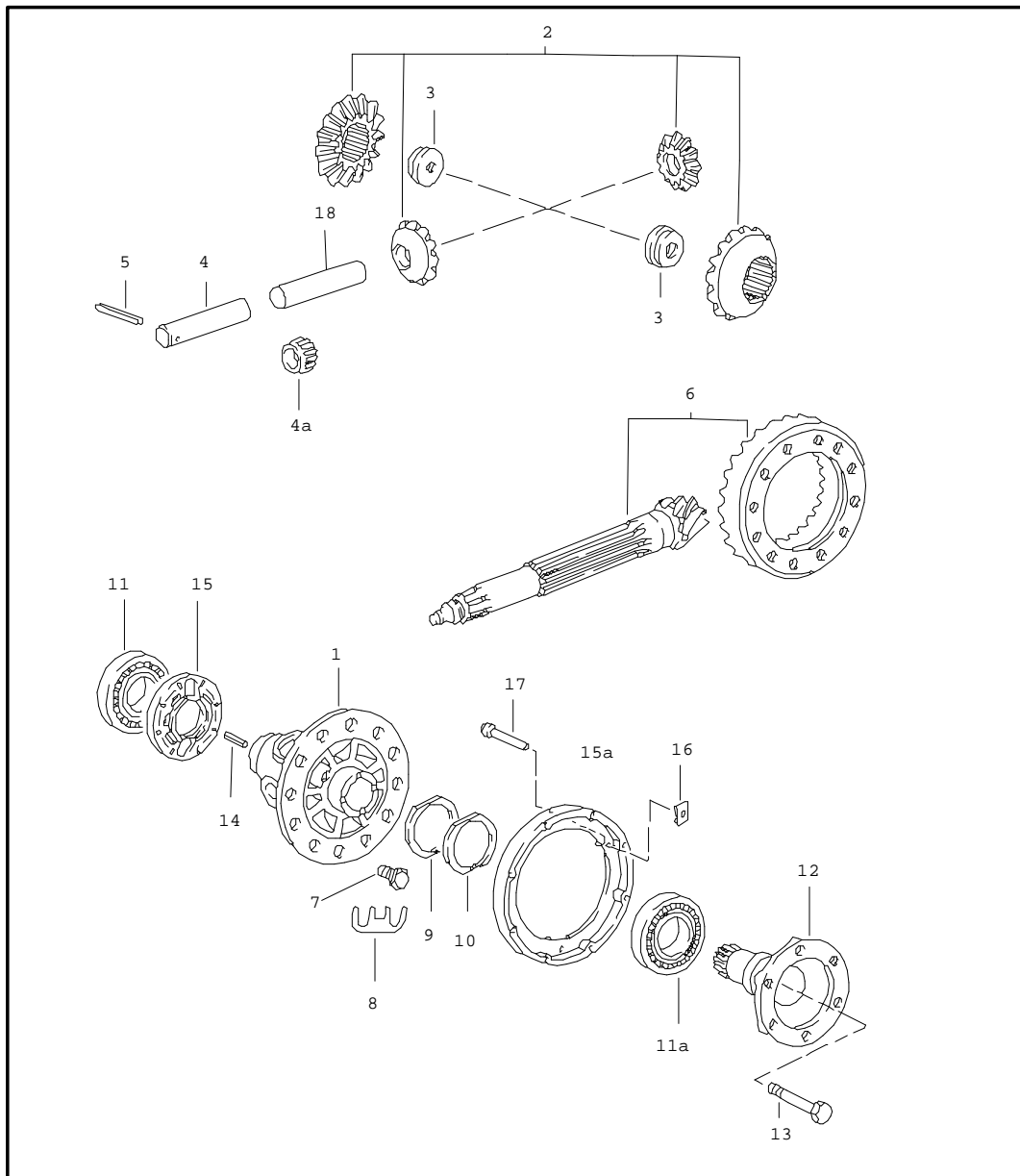


Pos	Part Number	Name	Remarks	Qty	Model
		tensioning plate	/50		G50.00/01/02
		shift control lock device			
		5-speed			
1	A 950 303 130 02	tensioning plate	-87	1	G50.00/01/02
1	950 303 130 50	tensioning plate		1	G50.00/01/02
1	950 303 130 50	tensioning plate		1	G50.50
2	950 303 035 04	reverse lever		1	
3	900 302 028 01	straight pin 4 M6 X 20		1	
4	950 303 134 01	shaft		1	
5	950 303 133 03	compression spring		1	
6	950 303 132 03	compression spring		1	
7	950 303 140 03	shift gate		1	
8	N 027 381 1	shim		1	
9	N 010 212 0	hexagon-head bolt M 6 X 12		1	
10	N 011 666 7	washer		1	
11	950 303 136 00	dowel sleeve		1	
12	950 303 137 01	compression spring		1	
13	N 025 669 2	ball \$ = 10 MM		1	
14	999 152 018 01	circlip SW 14		1	
15	N 013 304 1	roll pin 4 X 20		1	
16	950 303 146 01	reverse lever		1	
17	950 303 145 00	bolt		1	
18	950 303 141 00	detent long		1	
19	950 303 143 00	detent		1	
20	950 303 142 00	detent short		1	

Model	Year	MG	SG	Illustration	Restrictions	Update	8:40	17.08.2004	PORSCHE	PET	PORSCHE
911	89	3	04	304-05		179					

Pos	Part Number	Name	Remarks	Qty	Model	Pos	Part Number	Name	Remarks	Qty	Model
21	928 303 233 25	arresting bush		3							
22	928 303 235 20	compression spring	-87	3							
22	959 303 235 00	compression spring	88-	3							
23	900 109 106 00	needle-roller bearing 4 H11 X 16		3							
24	900 076 025 02	hexagon nut M 8		10							
25	999 924 026 00	bush 12 X 14 X 15		2							
26	950 303 125 10	adjusting shim 0,1 MM		X							
26	950 303 125 11	adjusting shim 0,15 MM		X							
26	950 303 125 12	adjusting shim 0,2 MM		X							
		- - - E N D - - -									

Model	Year	MG	SG	Illustration	Restrictions	Update	8:40	17.08.2004	PORSCHE	PET	PORSCHE
911	89	3	05	305-00		179					



Pos	Part Number	Name	Remarks	Qty	Model
		differential			
1	930 332 212 01	differential housing		1	930.36
1	950 332 212 01	differential housing	/50	1	G50.00/01/02
2	950 332 902 00	gear set 1 set	/50	1	G50.00/01/02
2	928 332 902 01	differential pinions 1 set		1	930.36
3	928 332 279 03	threaded disc	/50	2	G50.00/01/02
3	928 332 279 02	nut		2	930.36
4	928 332 207 07	differential bolt	/50	1	G50.00/01/02
4	928 332 207 05	differential bolt		1	930.36
4A	999 201 237 00	needle cage 18 X 22 X 45		2	G50.00/01/02
(4A)	999 201 347 00	needle cage comprising: 31 NADELROLLEN		2	G50.50
5	900 309 035 00	roll pin		1	
6	950 302 911 05	ring gear and pinion shaft 9 : 31	-88	1	G50.00/01/02
6	950 302 911 05	ring gear and pinion shaft 9 : 31	89-	1	G50.00/01/02
6	930 302 911 01	ring gear and pinion shaft 9 : 38		1	930.36
6	950 302 911 70	ring gear and pinion shaft Z = 9 : 31		1	G50.50
7	928 332 276 03	hexagon-head bolt		12	
8	950 332 285 00	tab washer	/50	6	G50.00/01/02
8	901 332 285 01	tab washer		6	930.36
9	950 332 268 01	adjusting ring 1,6 MM	/50	X	G50.00/01/02
9	950 332 268 02	adjusting ring 1,7 MM	/50	X	G50.00/01/02

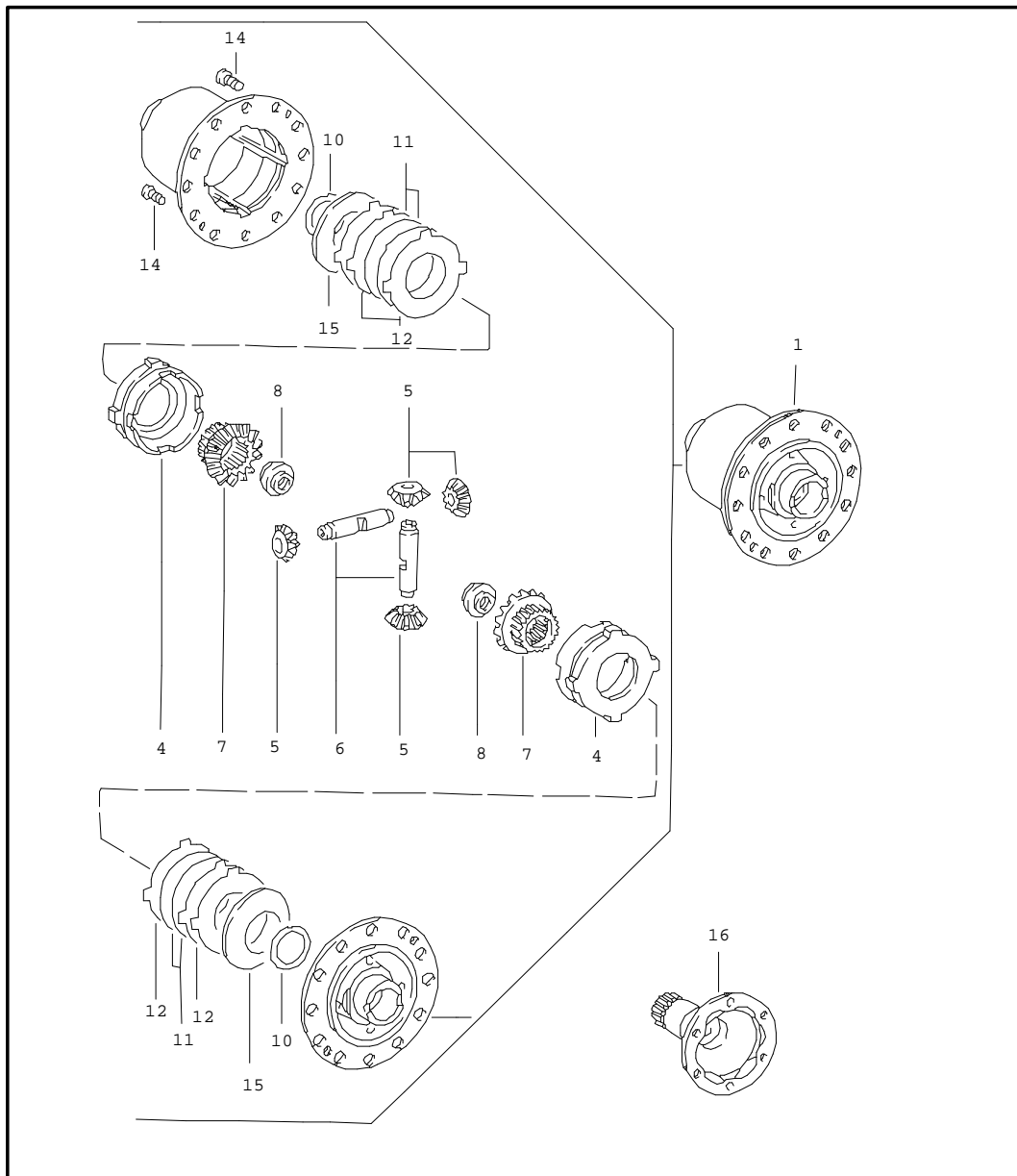
Model	Year	MG	SG	Illustration	Restrictions	Update	8:40	17.08.2004	PORSCHE	PET	PORSCHE
911	89	3	05	305-00		179					

Pos	Part Number	Name	Remarks	Qty	Model	Pos	Part Number	Name	Remarks	Qty	Model
9	996 332 266 56	adjusting ring 1,8 MM	/50	X	G50.00/01/02	9	996 332 266 50	adjusting ring 3,0 MM	/50	X	G50.00/01/02
9	950 332 268 04	adjusting ring 1,9 MM	/50	X	G50.00/01/02	(9)	915 332 265 06	adjusting ring 3,0 MM		X	930.36
9	950 332 268 05	adjusting ring 2,0 MM	/50	X	G50.00/01/02	9	950 332 268 16	adjusting ring 3,1 MM	/50	X	G50.00/01/02
9	950 332 268 06	adjusting ring 2,1 MM	/50	X	G50.00/01/02	(9)	915 332 265 07	adjusting ring 3,1 MM		X	930.36
9	950 332 268 07	adjusting ring 2,2 MM	/50	X	G50.00/01/02	(9)	915 332 265 08	adjusting ring 3,2 MM		X	930.36
9	950 332 268 08	adjusting ring 2,3 MM	/50	X	G50.00/01/02	(9)	915 332 265 09	adjusting ring 3,3 MM		X	930.36
9	950 332 268 09	adjusting ring 2,4 MM	/50	X	G50.00/01/02	(9)	915 332 265 10	adjusting ring 3,4 MM		X	930.36
(9)	915 332 265 00	adjusting ring 2,4 MM		X	930.36	(9)	915 332 265 11	adjusting ring 3,5 MM		X	930.36
9	950 332 268 10	adjusting ring 2,5 MM	/50	X	G50.00/01/02	(9)	915 332 265 12	adjusting ring 3,6 MM		X	930.36
(9)	915 332 265 01	adjusting ring 2,5 MM		X	930.36	(9)	915 332 265 13	adjusting ring 3,7 MM		X	930.36
9	950 332 268 11	adjusting ring 2,6 MM	/50	X	G50.00/01/02	10	950 332 268 00	adjusting ring 0,25 MM	/50	X	G50.00/01/02
(9)	915 332 265 02	adjusting ring 2,6 MM		X	930.36	(10)	915 332 263 00	adjusting ring 0,25 MM		X	930.36
9	950 332 268 12	adjusting ring 2,7 MM	/50	X	G50.00/01/02	11	999 059 027 00	taper roller bearing		1	
(9)	915 332 265 03	adjusting ring 2,7 MM		X	930.36	11A	999 059 064 00	taper roller bearing		1	
9	996 332 266 76	adjusting ring 2,8 MM	/50	X	G50.00/01/02	12	950 332 209 01	joint flange	/50	2	G50.00/01/02
(9)	915 332 265 04	adjusting ring 2,8 MM		X	930.36	12	930 332 209 05	joint flange		2	930.36
9	950 332 268 14	adjusting ring 2,9 MM	/50	X	G50.00/01/02	13	N 010 472 4	hexagon-head bolt M 10 X 85	/50	2	G50.00/01/02
(9)	915 332 265 05	adjusting ring 2,9 MM		X	930.36	13	900 074 291 02	hexagon-head bolt M 10 X 78		2	930.36
						14	900 095 078 00	tensioning sleeve 4 X 14		1	930.36
						15	915 318 045 03	magnet carrier disc		1	930.36

Model	Year	MG	SG	Illustration	Restrictions	Update	8:40	17.08.2004	PORSCHE	PET	PORSCHE
911	89	3	05	305-00		179					

Pos	Part Number	Name	Remarks	Qty	Model	Pos	Part Number	Name	Remarks	Qty	Model
15A	950 318 045 03	magnet carrier disc		1	G50.00/01/02						
15A	950 318 045 04	magnet carrier disc	/50	1	G50.00/01/02 M220						
16	N 012 644 1	lock	/50	3	G50.00/01/02						
17	A 950 318 355 12	bolt		3	G50.00/01/02						
17	950 318 355 12	bolt	/50	3	G50.00/01/02						
(17)	A 950 318 355 10	bolt		3	G50.00/01/02 M220						
(17)	950 318 355 10	bolt	/50	3	G50.00/01/02 M220						
18	950 332 205 00	spacer sleeve		1	G50.50						
		- - - E N D - - -									

Model	Year	MG	SG	Illustration	Restrictions	Update	8:40	17.08.2004	PORSCHE	PET	PORSCHE
911	89	3	05	305-05		179					

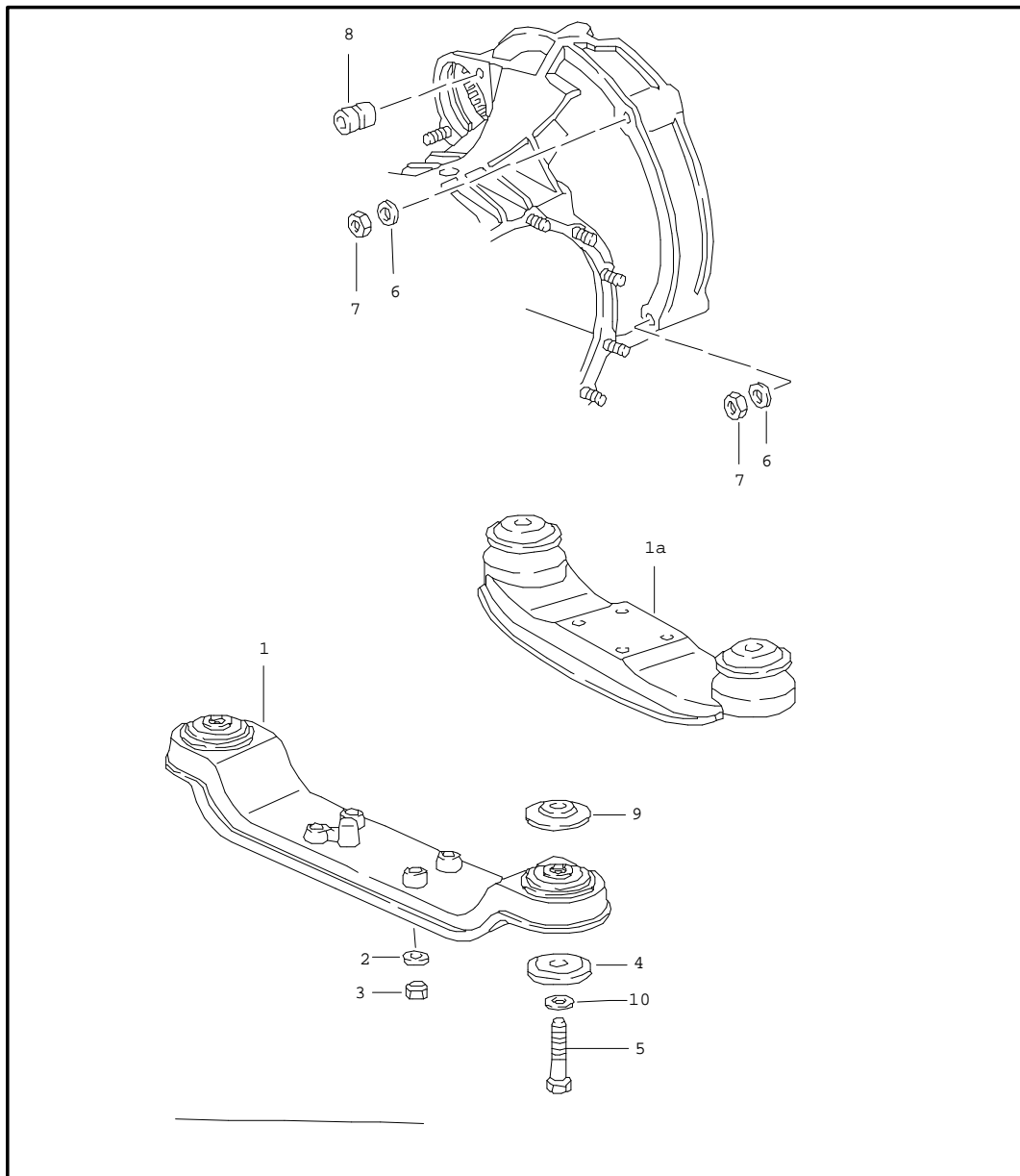


Pos	Part Number	Name	Remarks	Qty	Model
		limited-slip differential			
1	930 332 053 03	limited-slip differential 40 %		1	930.36
1	950 332 053 06	limited-slip differential 40 %	/50	1	G50.00/01/02
4	901 332 511 11	thrust ring		2	930.36
4	928 332 511 00	thrust ring	/50	2	G50.00/01/02
5	915 332 531 02	bevel pinion		4	930.36
5	928 332 531 00	bevel pinion	/50	4	G50.00/01/02
6	915 332 541 02	differential shaft		2	930.36
6	928 332 541 00	differential shaft	/50	2	G50.00/01/02
7	930 332 535 01	shaft bevel gear		2	930.36
7	928 332 535 01	shaft bevel gear	/50	2	G50.00/01/02
8	928 332 279 01	threaded disc		2	
10	901 332 561 11	thrust washer		2	
11	928 332 551 00	inner disc 2,0 MM		4	
12	917 332 552 10	disc with external splines 1,9 MM		4	
12	917 332 552 11	disc with external splines 2,0 MM		4	
12	917 332 552 12	disc with external splines 2,1 MM		4	
14	N 014 765 2	pan-head screw M 6 X 10		2	
-	900 095 078 00	tensioning sleeve 4 X 14		1	930.36
15	928 332 555 00	cup spring		2	930.36
15	928 332 555 20	cup spring	/50	2	G50.00/01/02
16	950 332 209 01	joint flange	/50	2	G50.00/01/02
16	930 332 209 05	joint flange		2	930.36

Model	Year	MG	SG	Illustration	Restrictions	Update	8:41	17.08.2004	PORSCHE	PET	PORSCHE
911	89	3	05	305-05		179					

Pos	Part Number	Name	Remarks	Qty	Model	Pos	Part Number	Name	Remarks	Qty	Model
		- - - E N D - - -									

Model	Year	MG	SG	Illustration	Restrictions	Update	8:41	17.08.2004	PORSCHE	PET	PORSCHE
911	89	3	06	306-00		179					



Pos	Part Number	Name	Remarks	Qty	Model
		transmission suspension			
1	911 375 031 09	transmission carrier	-87	1	G50.00/01/02 G50.50
1	911 375 031 09	transmission carrier	88-	1	G50.00/01/02 G50.50
1A	930 375 031 00	transmission carrier		1	930.36
2	N 011 525 13	washer 8,4		4	
3	900 910 022 09	lock nut		4	
4	901 305 311 00	seat		4	
5	911 375 317 01	hexagon-head bolt M 12 X 1,5 X 68		2	G50.00/01/02 G50.50
5 A	901 305 317 00	hexagon-head bolt M 12 X 1,5 X 60		2	930.36
5	930 375 317 00	hexagon-head bolt M 12 X 1,5 X 65 use also:		2	930.36
-	999 025 074 02	washer 12,4 X 34 X 5		2	930.36
6	900 031 005 02	washer 10,5		5	
7	900 157 002 02	hexagon nut M 10		3	
8	901 104 382 02	cylinder head nut		2	
9	911 375 305 00	seat		2	G50.00/01/02 G50.50
10	999 025 074 02	washer 12,4 X 34 X 5		2	930.36
- - - E N D - - -					

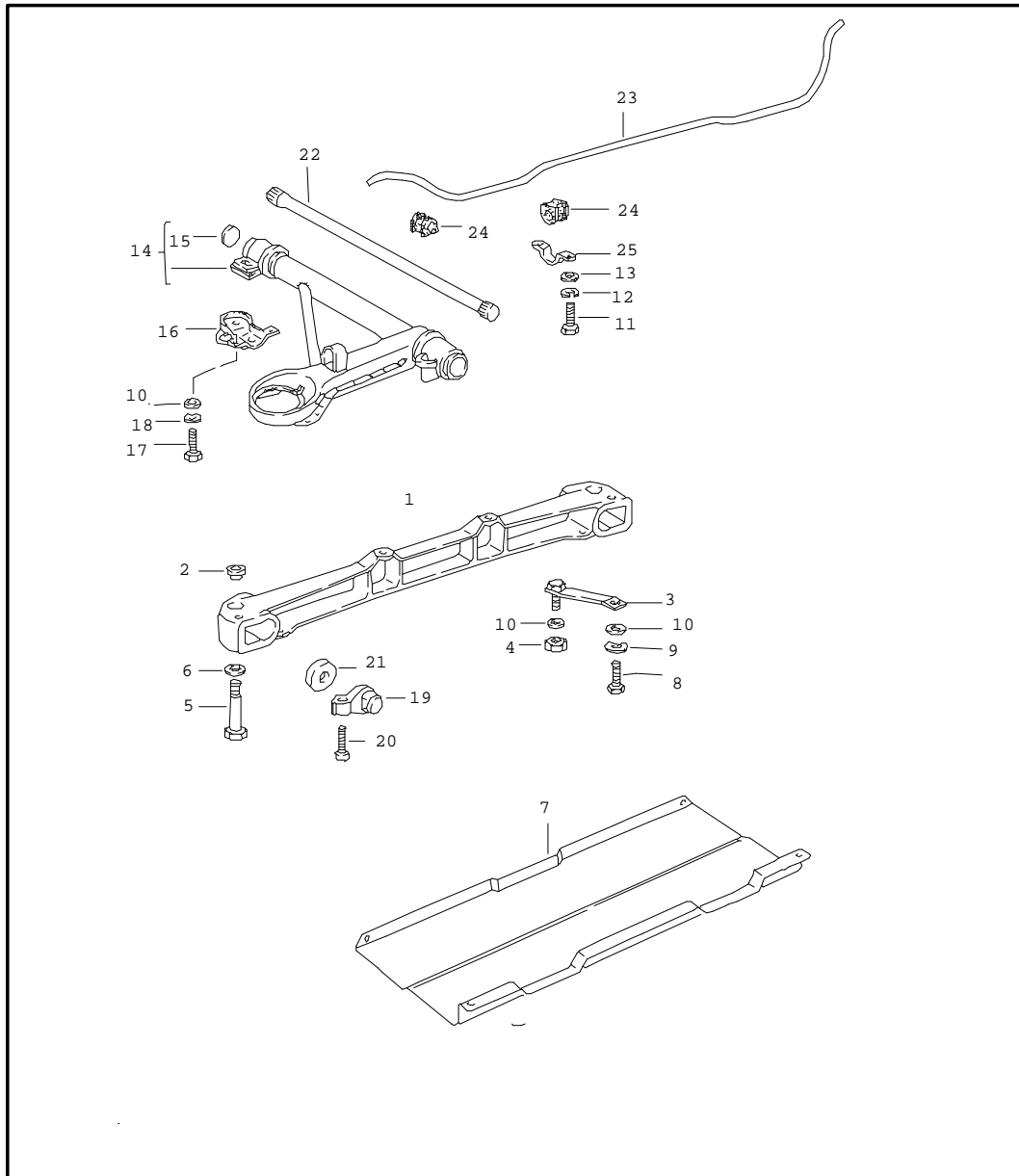
Model	Year	MG	SG	Illustration	Restrictions	Update	9:29	17.08.2004
911	89	3	98	REP		179		

Pos	Part Number	Name	Remarks	Qty	Model
>>	> 950 300 911 00	set of seals set of seals transmission comprising:		1	G50.00/01/02
-	999 113 347 40	shaft seal 48 X 68 X 10		2	
-	999 113 326 41	shaft seal 26 X 40 X 12		1	
-	999 113 404 40	shaft seal 16 X 24 X 7,5		1	
-	999 701 745 40	o-ring 186 X 3,5		1	
-	928 332 776 00	flange gasket		1	
-	900 123 011 30	sealing ring A 22 X 27		1	
-	950 301 191 01	gasket		1	
-	950 301 351 02	gasket		1	
-	900 123 043 30	sealing ring		1	
>>	> 950 300 911 50	set of seals transmission comprising:		1	G50.50
-	999 113 347 40	shaft seal 48 X 68 X 10		2	
-	999 113 326 41	shaft seal 26 X 40 X 12		1	
-	999 113 404 40	shaft seal 16 X 24 X 7,5		1	
-	999 701 387 40	o-ring 210 X 3,5		1	
-	900 123 011 30	sealing ring		1	
-	950 301 191 01	gasket		1	
-	950 301 351 02	gasket		1	
-	900 123 043 30	sealing ring A 12 X 15		1	
-	999 701 734 40	sealing ring 29,5 X 1,5		1	
>>	> 930 300 911 00	set of seals transmission comprising:		1	G30.36

Model	Year	MG	SG	Illustration	Restrictions	Update	9:29	17.08.2004
911	89	3	98	REP		179		

Pos	Part Number	Name	Remarks	Qty	Model
-	915 301 139 00	sealing ring		1	
-	999 113 183 40	radial shaft seal		2	
-	999 701 437 40	o-ring		1	
-	930 302 332 00	shaft seal		1	
-	999 701 440 40	o-ring		1	
-	930 301 191 00	gasket		1	
-	999 113 185 40	shaft seal		1	
-	930 301 351 00	gasket		1	
-	915 303 225 00	gasket		1	
-	950 116 911 00	repair kit for clutch comprising: pressure plate clutch plate clutch release bearing		1 1 1 1	G50.00/01/02
		- - - E N D - - -			

Model	Year	MG	SG	Illustration	Restrictions	Update	8:41	17.08.2004	PORSCHE	PET	PORSCHE
911	89	4	01	401-00		179					

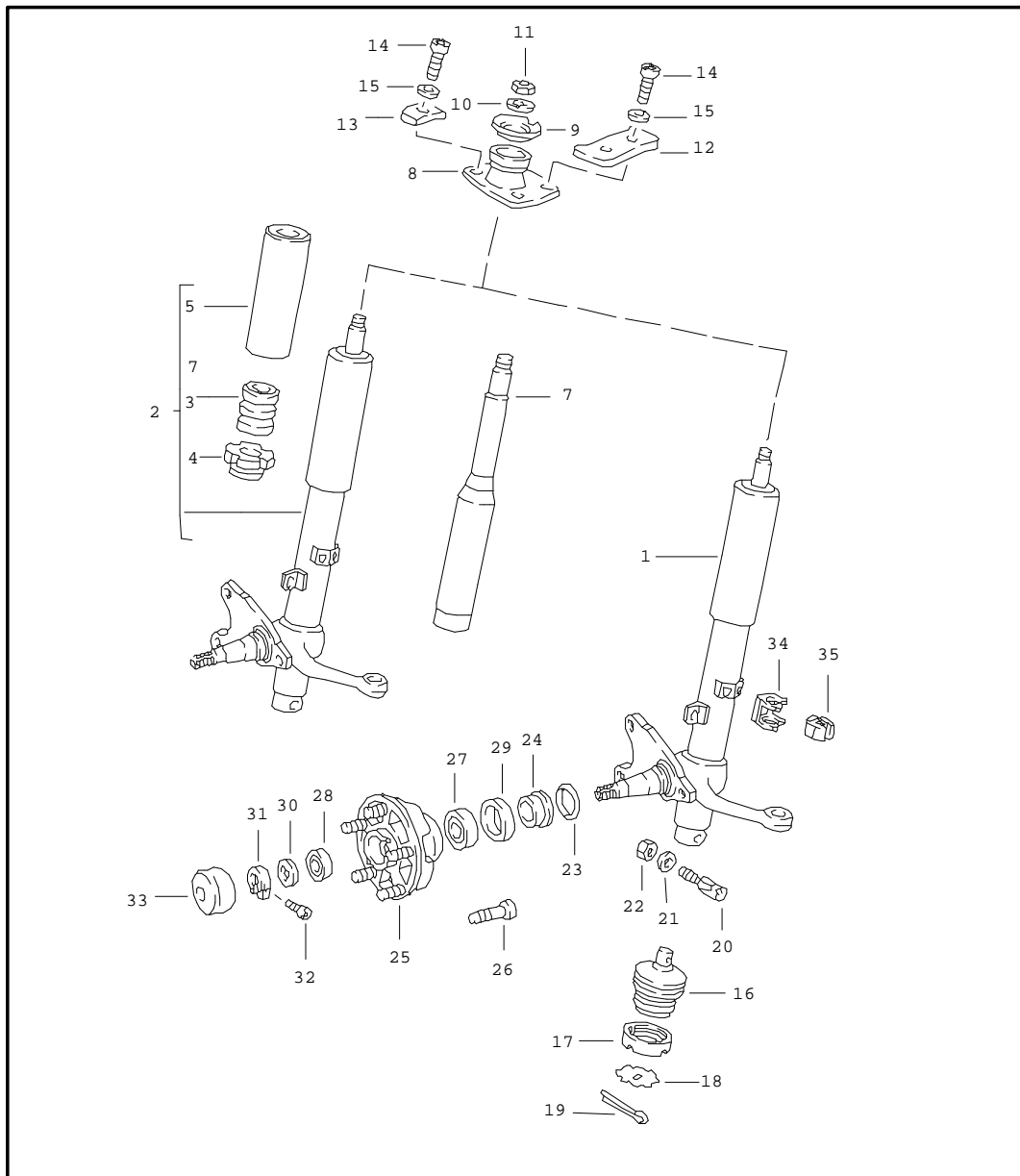


Pos	Part Number	Name	Remarks	Qty	Model
		front axle stabiliser			
1	911 341 013 10	auxiliary support		1	
2	930 341 135 00	adapter		2	TURBO
3	930 341 031 02	strut		2	TURBO
(3)	911 341 031 01	strut		2	CARRERA
4	900 910 031 09	lock nut		2	
5	900 082 110 02	hexagon-head bolt M 12 X 1,5 X 85		2	
6	900 028 014 02	spring washer B 12		2	
7	930 341 021 02	protective plate		1	TURBO
7	911 341 161 04	protective plate		1	CARRERA
8	N 014 721 2	pan-head screw M 10 X 25		2	
9	900 027 016 02	lock ring B 10		2	
10	900 025 008 09	washer 10,5		8	
11	900 075 087 02	hexagon-head bolt M 8 X 16		2	
12	900 027 015 02	lock ring B 8		2	
13	900 025 007 02	washer 8,4		2	
14	911 341 901 01	control arm	/L	1	CARRERA
14	911 341 902 01	control arm	/R	1	CARRERA
14	930 341 901 01	control arm	/L	1	TURBO
14	930 341 902 01	control arm	/R	1	TURBO
15	900 040 008 01	cover plate		2	
16	911 341 037 02	protective bracket	/L	1	
16	901 341 159 00	protective bracket	/R	1	

Model	Year	MG	SG	Illustration	Restrictions	Update	8:41	17.08.2004	PORSCHE	PET	PORSCHE
911	89	4	01	401-00		179					

Pos	Part Number	Name	Remarks	Qty	Model	Pos	Part Number	Name	Remarks	Qty	Model
17	N 010 275 3	hexagon-head bolt M 10 X 35		6	CARRERA						
17	N 040 281 1	hexagon-head bolt M 10 X 45		6	TURBO						
18	900 027 016 02	lock ring B 10		6							
19	901 341 033 00	reverse lever		2							
20	911 341 115 00	adjusting screw		2							
21	901 341 475 00	gasket		2							
22	901 343 101 12	torsion bar	/L	1							
22	901 343 102 12	torsion bar	/R	1							
23	911 343 703 13	stabiliser 22 \$		1							
24	911 343 881 00	rubber mounting 22 \$		4							
25	911 343 775 00	clip		2							
		- - - E N D - - -									

Model	Year	MG	SG	Illustration	Restrictions	Update	8:41	17.08.2004	PORSCHE	PET	PORSCHE
911	89	4	02	402-00		179					

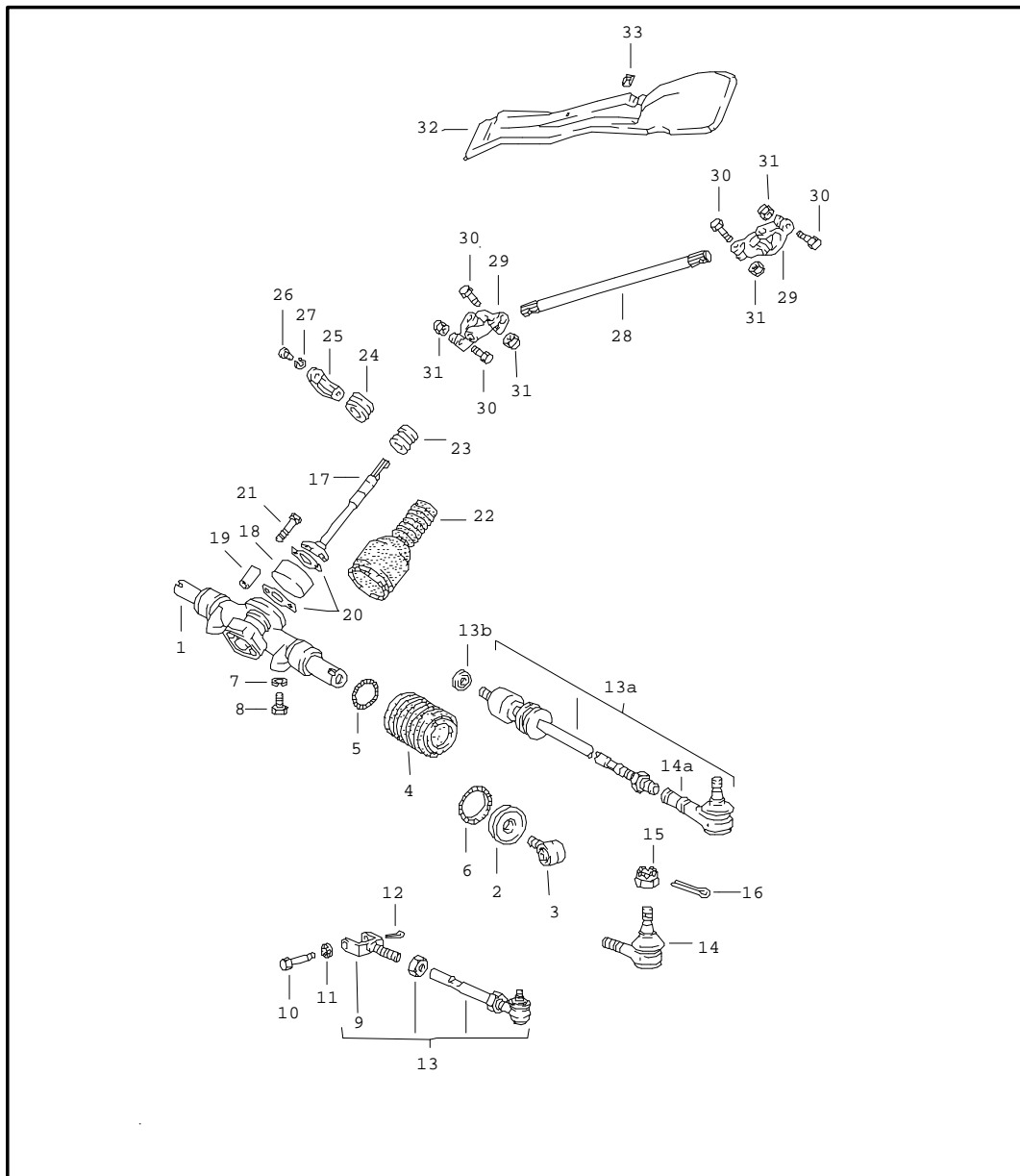


Pos	Part Number	Name	Remarks	Qty	Model
		shock absorber strut			
1	911 341 041 33	shock absorber strut - bilstein -	/L -88	1	TURBO
1	911 341 042 33	shock absorber strut - bilstein -	/R -88	1	TURBO
1	911 341 041 35	shock absorber strut - bilstein -	/L 89-	1	TURBO
				1	CARRERA M 491
1	911 341 042 35	shock absorber strut - bilstein -	/R 89-	1	TURBO
				1	CARRERA M 491
2	911 341 041 04	shock absorber strut - boge -	/L	1	CARRERA
2	911 341 042 04	shock absorber strut - boge -	/R	1	CARRERA
2	911 341 041 05	shock absorber strut - boge -		1	M 474/637 M 637 M 474/491
2	911 341 042 05	shock absorber strut - boge -	/R	1	CARRERA M 474/637 M 474/491
-	911 341 043 02	shock absorber strut outer part - boge -	/L	1	CARRERA
					M 474/491
-	911 341 044 02	shock absorber strut outer part - boge -	/R	1	CARRERA
					M 474/491
-	911 341 043 03	shock absorber strut outer part - boge - only together with 911.341.041.04/05	/L	1	CARRERA
-	911 341 044 03	shock absorber strut outer part - boge - only together with 911.341.042.04/05	/R	1	CARRERA

Model	Year	MG	SG	Illustration	Restrictions	Update	8:41	17.08.2004	PORSCHE	PET	PORSCHE
911	89	4	02	402-00		179					

Pos	Part Number	Name	Remarks	Qty	Model	Pos	Part Number	Name	Remarks	Qty	Model
3	901 343 301 00	rubber stop		2	CARRERA	24	901 341 623 00	spacer ring		2	
		- boge -			M 474/491 M 637	25	911 341 065 06	front wheel hub		2	CARRERA
4	911 341 804 00	screw plug		2	CARRERA	25	930 341 065 01	front wheel hub		2	TURBO
		- boge -								2	CARRERA
5	911 341 805 01	protective tube		2	CARRERA	26	911 331 671 00	wheel bolt		10	TURBO
		- boge -			M 474/491 M 637	26	904 341 671 00	wheel bolt		10	CARRERA
7	911 341 913 05	repair set		2	CARRERA	26	904 341 671 00	wheel bolt oversize		X	CARRERA
		- boge -			M 474/491 M 637						
7	911 341 913 06	repair set		2	CARRERA	27	999 059 098 00	taper roller bearing		2	
		- boge -				28	999 059 065 00	taper roller bearing		2	
8	911 341 018 00	supporting mount		2		29	477 405 641	radial sealing ring		2	
9	901 341 629 00	support washer		2		30	911 341 663 00	thrust washer		2	
10	900 038 002 01	tab washer \$ 14		2		31	911 341 673 00	clamping nut		2	
11	N 011 021 3	hexagon nut M 14 X 1,5		2		32	999 119 001 01	pan-head screw		2	
12	911 501 933 00	pressure plate		2		33	911 341 684 00	cap		2	CARRERA
13	911 501 934 00	pressure plate		2		33	930 341 066 01	cap		2	TURBO
14	900 067 063 02	pan-head screw M 10 X 20		6						2	CARRERA
15	999 523 103 01	lock washer		6		34	999 651 203 40	cable holder		2	
16	911 341 049 01	ball joint		2		35	999 651 202 40	cable holder		2	
17	901 341 425 00	grooved nut		2				- - - E N D - - -			
18	901 341 426 00	tab washer		2							
19	N 012 521 1	cotter pin		2							
20	911 341 119 06	threaded pin		2							
21	900 089 006 02	washer A 8,4		2							
22	999 084 019 02	lock nut		2							
23	999 701 084 50	o-ring OR 25,3 - 2,4		2							

Model	Year	MG	SG	Illustration	Restrictions	Update	8:41	17.08.2004	PORSCHE	PET	PORSCHE
911	89	4	03	403-00		179					

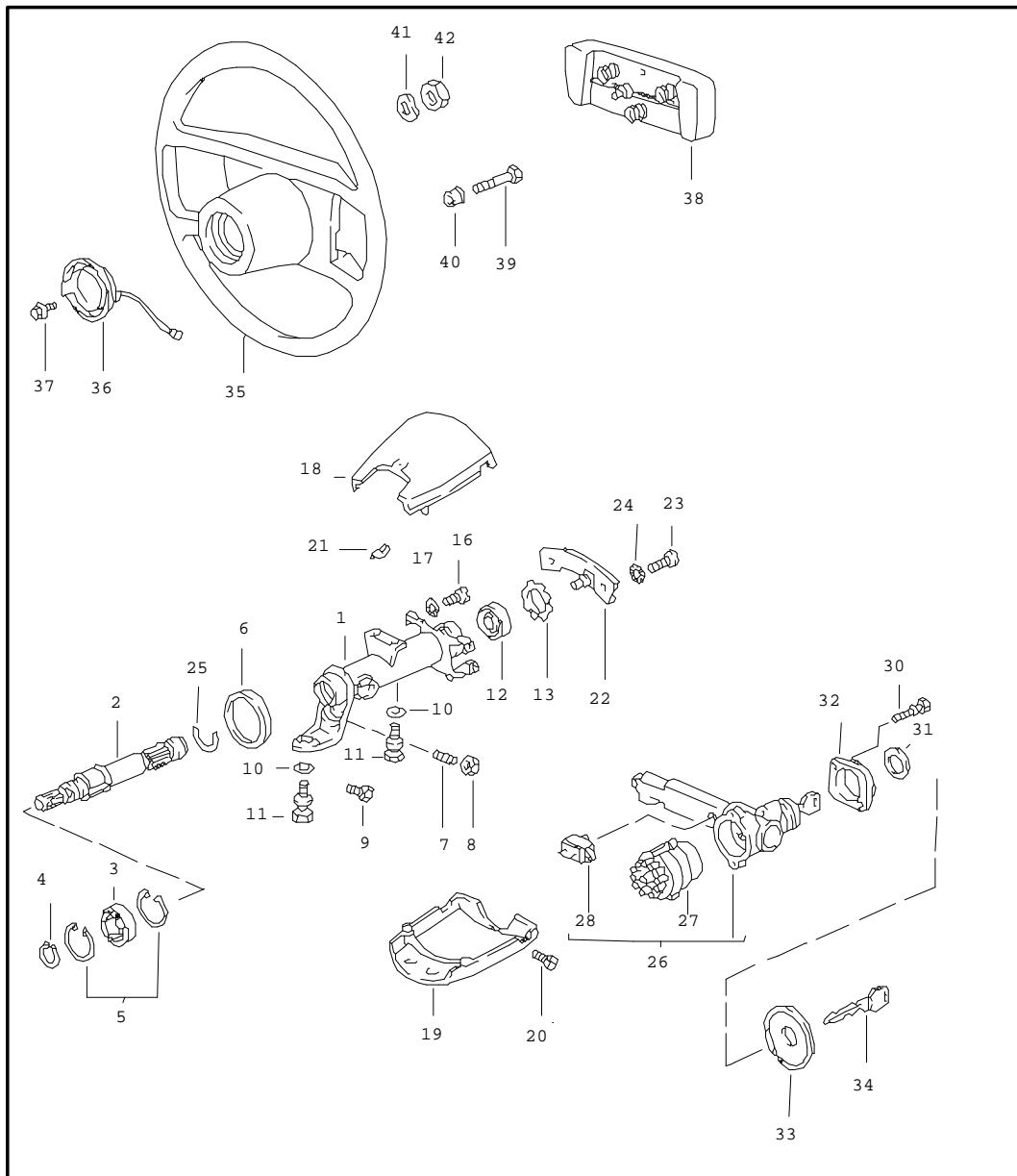


Pos	Part Number	Name	Remarks	Qty	Model
		steering parts lower			
1	914 347 010 06	steering gear		1	CARRERA
(1)	930 347 010 00	steering gear		1	TURBO
(2)	911 347 056 00	support		2	CARRERA
3	914 347 057 00	bush		2	CARRERA
4	901 347 191 02	bellows		2	CARRERA
(4)	930 347 191 02	bellows		2	TURBO
5	901 347 308 00	retainer spring		2	CARRERA
6	901 347 309 00	retainer spring		2	CARRERA
7	900 027 016 02	lock ring B 10		2	CARRERA
(7)	900 028 032 02	spring washer B 10		2	TURBO
8	900 075 071 07	hexagon-head bolt M 10 X 45		2	CARRERA
8	N 010 275 3	hexagon-head bolt M 10 X 35		2	TURBO
9	901 347 315 01	joint fork		2	CARRERA
10	911 347 327 00	hexagon-head bolt		2	CARRERA
11	999 523 103 01	lock washer M 10		2	CARRERA
12	900 021 008 00	cotter pin 2 X 15		2	CARRERA
13	911 347 031 00	tie rod		2	CARRERA
13A	930 347 031 01	tie rod		2	TURBO
13B	930 347 313 01	washer		2	TURBO
14	911 347 322 04	ball joint		2	CARRERA
14A	930 347 322 00	ball joint		2	TURBO
15	N 011 210 1	castle nut M 10 X 1		2	

Model	Year	MG	SG	Illustration	Restrictions	Update	8:41	17.08.2004	PORSCHE	PET	PORSCHE
911	89	4	03	403-00		179					

Pos	Part Number	Name	Remarks	Qty	Model	Pos	Part Number	Name	Remarks	Qty	Model
16	900 021 013 00	cotter pin 2 X 25		2							
17	901 347 210 03	steering shaft		1							
18	901 347 201 02	steering coupling		1							
19	901 347 215 00	stop bush		2							
20	901 347 248 00	tab washer		1							
21	N 010 353 3	hexagon-head bolt M 8 X 42		2							
22	901 347 393 01	sealing bellows		1							
23	911 347 041 00	steering shaft bearing		1							
-	911 347 029 00	needle-roller bearing		1							
24	901 347 223 03	rubber mounting		1							
25	901 347 221 00	housing		1							
26	900 119 052 02	pan-head screw M 8 X 16		2							
27	900 142 002 01	lock ring 8		2							
28	911 347 211 01	intermed. steering shaft	/LL	1							
(28)	911 347 212 01	intermed. steering shaft	/RL	1							
29	930 347 025 00	universal joint		2							
30	N 010 335 5	hexagon-head bolt M 8 X 35		4							
31	N 021 194 1	lock nut M 8		4							
32	901 347 067 00	cover	/LL	1							
(32)	901 347 068 00	cover	/RL	1							
33	999 507 209 01	speed nut		2							
		- - - E N D - - -									

Model	Year	MG	SG	Illustration	Restrictions	Update	8:41	17.08.2004	PORSCHE	PET	PORSCHE
911	89	4	03	403-05		179					



Pos	Part Number	Name	Remarks	Qty	Model
		steering parts upper			
1	911 347 073 03	steering outer tube	/LL	1	
(1)	911 347 072 04	steering outer tube	/RL	1	
2	911 347 061 02	steering shaft		1	
3	900 052 031 00	deep-groove ball bearing		1	
4	900 041 008 00	circlip 17 X 1		1	
5	900 042 008 00	circlip 35 X 1,5		2	
6	911 347 713 00	gasket		1	
7	900 228 002 02	threaded pin M 8 X 16	/LL	1	
8	900 076 025 02	hexagon nut M 8	/LL	1	
9	900 146 044 02	oval-head screw AM 6 X 10	/RL	1	
10	N 012 241 8	spring washer B 8		3	
11	901 347 753 00	shear bolt		3	
12	911 347 771 02	ball bearing		1	
13	999 041 102 01	circlip		1	
16	900 014 069 02	pan-head screw AM 3 X 8		8	
17	900 115 007 01	serrated lock washer A 3,2		8	
18	911 613 099 00	switch housing		1	
19	911 613 312 00	switch housing		1	
20	900 014 079 02	pan-head screw AM 3 X 10		2	
21	999 652 315 02	flat plug		1	
22	911 613 521 00	wiper contact		1	

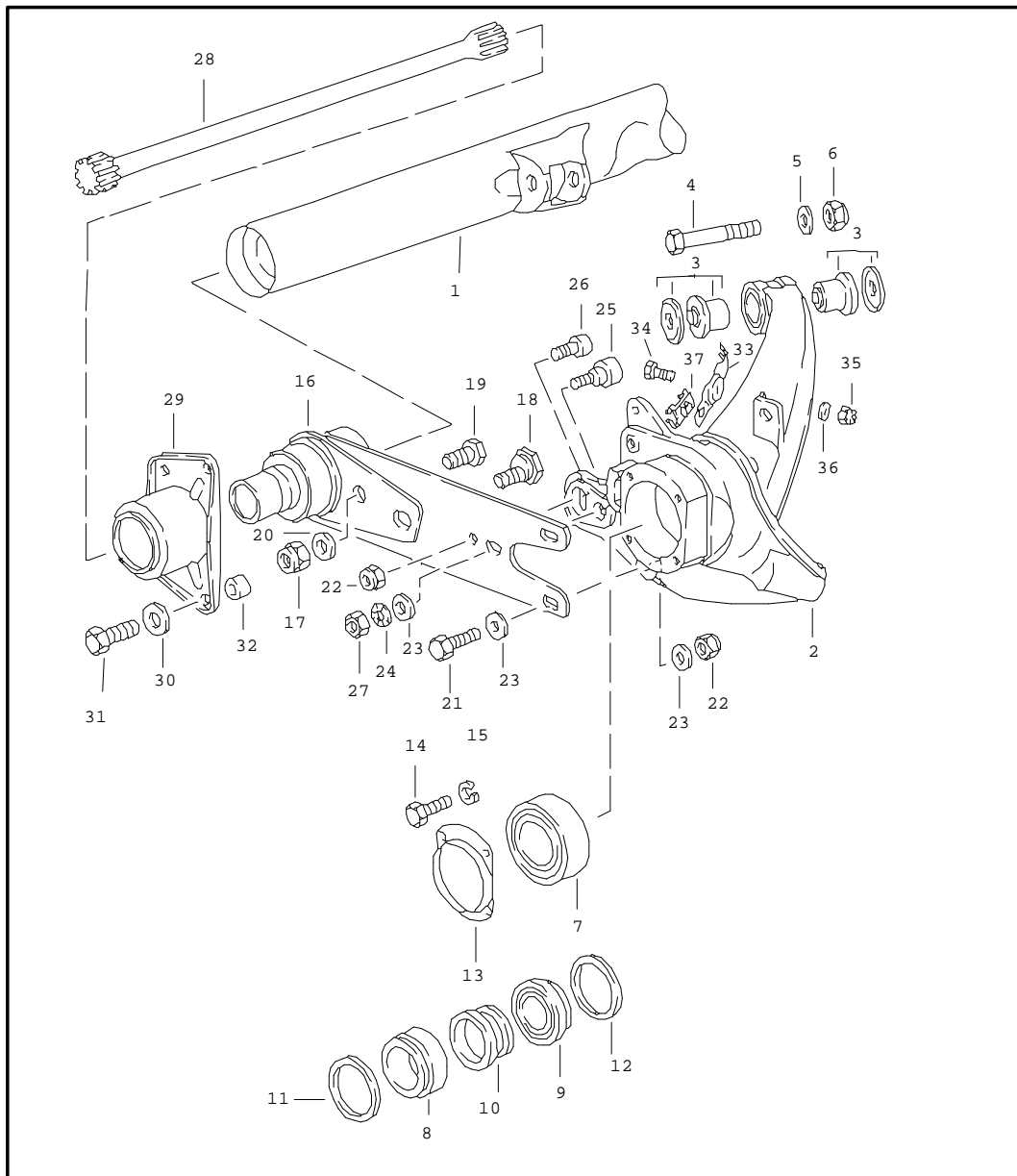
Model	Year	MG	SG	Illustration	Restrictions	Update	8:41	17.08.2004	PORSCHE	PET	PORSCHE
911	89	4	03	403-05		179					

Pos	Part Number	Name	Remarks	Qty	Model	Pos	Part Number	Name	Remarks	Qty	Model
23	900 014 046 02	pan-head screw M 4 X 10		2			6KT	venetian blue			
24	900 115 005 02	washer A 4,3		2			8HF	blue metallic	88		JUBI.88
25	113 415 531	snap ring		1			7LZ	velvet red	89-		
26	911 613 902 02	steering lock w/o stipulated lock number	-88	1		(35)	911 347 084 09	sports steering wheel leather \$ 380 MM with elevated hub		1	M 018
26	964 347 917 01	steering lock w/o stipulated lock number	89-	1			8WH	slate grey	89-		
26	911 613 904 02	steering lock state lock number	-88	1			1AJ	black			
26	964 347 917 00	steering lock state lock number	89-	1			7LD	burgundy			
27	964 613 012 00	ignition starter switch		1			5JX	greyish green	-88		
28	911 613 125 00	buzzer contact		1			3LZ	mahogany			
30	999 219 017 02	shear bolt		2			2JZ	marine blue			
31	911 613 169 00	washer		1			2UT	caramel			
32	911 347 359 01	reinforcement plate		1			6KT	venetian blue			
-	999 190 113 02	blind rivet		2			8HF	blue metallic	88		JUBI.88
33	911 613 160 01	rose		1			7LZ	velvet red	89-		
	70B	black		1		36	911 347 099 05	slip ring		1	
34	911 538 902 00	replacement key state lock number		1		37	113 415 869	oval-head screw AM 3,5 X 10		7	
35	911 347 084 08	sports steering wheel leather \$ 380 MM		1		38	911 347 859 01	pad for horn	87	1	
	1AJ	black					1AJ	black			
	7LD	burgundy					7LD	burgundy			
	5JX	greyish green	-88				5JX	greyish green	-88		
	3LZ	mahogany					3LZ	mahogany			
	2JZ	marine blue					2JZ	marine blue			
	2UT	caramel					2UT	caramel			
	2UT	caramel					6KT	venetian blue			

Model	Year	MG	SG	Illustration	Restrictions	Update	8:41	17.08.2004	PORSCHE	PET	PORSCHE
911	89	4	03	403-05		179					

Pos	Part Number	Name	Remarks	Qty	Model	Pos	Part Number	Name	Remarks	Qty	Model
38	911 347 859 07	pad for horn	88-	1							
	1AJ	black									
	7LD	burgundy									
	5JX	greyish green	-88								
	3LZ	mahogany									
	2JZ	marine blue									
	2UT	caramel									
	6KT	venetian blue									
	8HF	blue metallic	88		JUBI.88 M 099						
	7LZ	velvet red	89-								
	8WH	slate grey	89-								
39	N 010 261 3	hexagon-head bolt M 4 X 16		X							
40	321 419 779 A	insulating bush		3							
41	N 012 239 1	spring washer B 18		1							
42	900 078 007 02	hexagon nut M 18 X 1,5		1							
		- - - E N D - - -									

Model	Year	MG	SG	Illustration	Restrictions	Update	8:42	17.08.2004	PORSCHE	PET	PORSCHE
911	89	5	01	501-00		179					



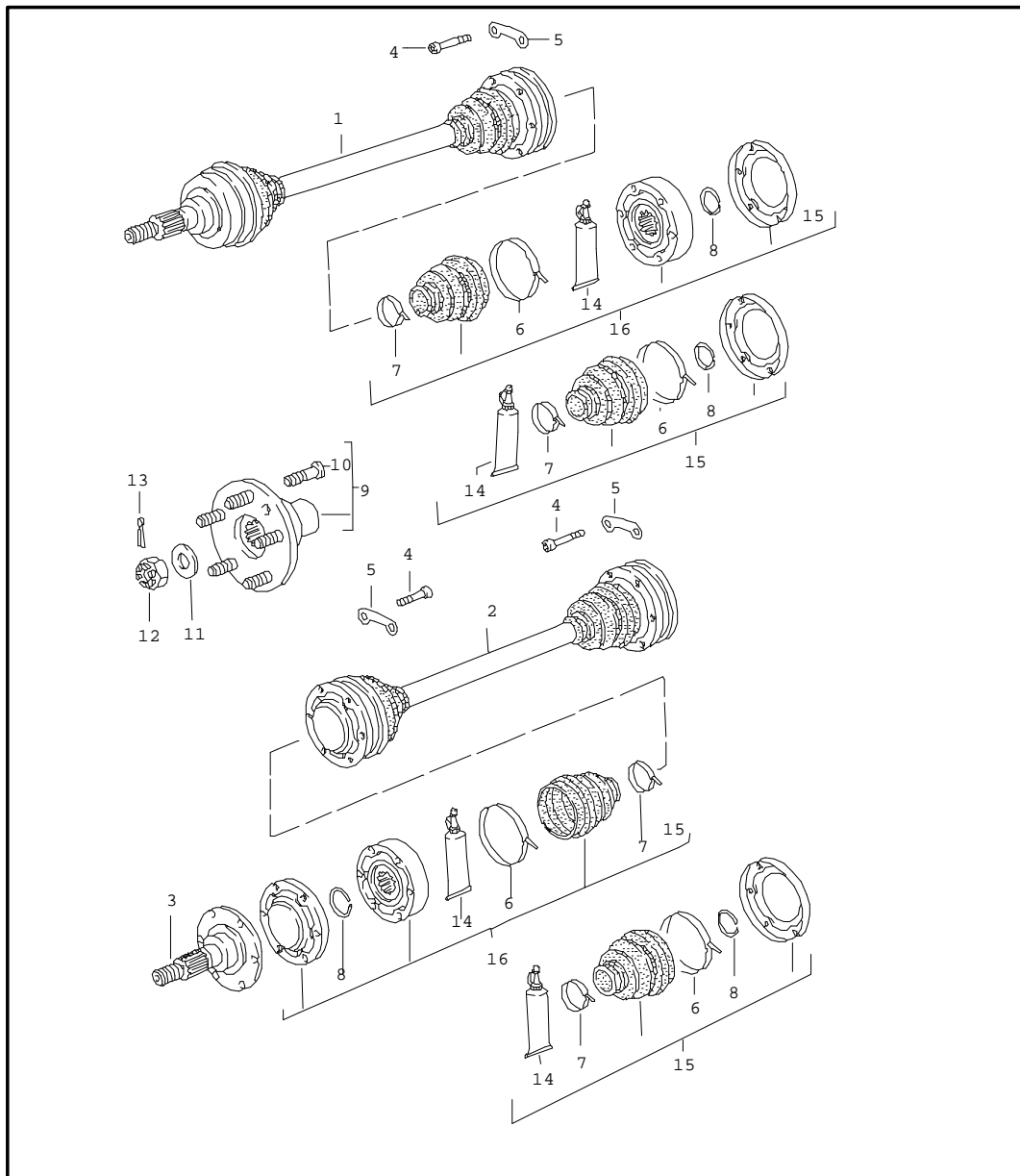
Pos	Part Number	Name	Remarks	Qty	Model
		rear axle			
1	911 331 006 01	rear-axle cross-tube		1	CARRERA
(1)	930 331 010 02	rear-axle cross-tube	-88	1	TURBO
(1)	930 331 006 03	rear-axle cross-tube	89-	1	TURBO
(1)	930 331 006 04	rear-axle cross-tube		1	CARRERA M 491
2	911 331 513 06	rear-axle trailing arm	/L	1	CARRERA
(2)	911 331 514 06	rear-axle trailing arm	/R	1	CARRERA
(2)	930 331 511 05	rear-axle trailing arm	/L	1	TURBO CARRERA M 491
(2)	930 331 512 05	rear-axle trailing arm	/R	1	TURBO CARRERA M 491
3	901 331 059 00	block		4	
4	900 082 092 02	hexagon-head bolt M 14 X 1,5 X 80		2	
5	N 011 534 4	washer A 15		2	
6	900 910 094 02	lock nut M 14 X 1,5		2	
7	999 053 020 01	angular-contact bearing		2	CARRERA
8	999 059 056 00	taper roller bearing		2	TURBO CARRERA M 491
9	999 059 047 00	taper roller bearing		2	TURBO CARRERA M 491
10	930 331 609 00	spacer sleeve		2	TURBO CARRERA M 491
11	999 113 235 40	shaft seal 65 X 85 X 8		2	TURBO CARRERA M 491

Model	Year	MG	SG	Illustration	Restrictions	Update	8:42	17.08.2004	PORSCHE	PET	PORSCHE
911	89	5	01	501-00		179					

Pos	Part Number	Name	Remarks	Qty	Model	Pos	Part Number	Name	Remarks	Qty	Model
12	999 113 218 40	shaft seal 58 X 81,2 X 5		2	TURBO	(28)	911 333 102 03	torsion bar 26 \$	/R -88	1	TURBO
				2	CARRERA M 491						
13	911 331 561 30	reinforcement cover		2	CARRERA	(28)	930 333 115 01	torsion bar 27 \$	/L 89-	1	TURBO
14	900 075 079 02	hexagon-head bolt M 8 X 22		8	CARRERA	(28)	930 333 116 01	torsion bar 27 \$	/R 89-	1	TURBO
15	900 027 015 02	lock ring B 8		8	CARRERA	29	901 333 153 00	housing		2	
16	911 333 009 00	strut	-88	2	TURBO	30	900 025 008 09	washer A 10,5		8	
16	911 333 009 02	strut	89-	2	TURBO	31	N 010 275 3	hexagon-head bolt M 10 X 35		8	
16	911 333 009 02	strut		2	CARRERA	32	911 331 107 01	spacer ring		2	
17	900 910 092 02	lock nut		4		33	911 331 705 00	cable holder		2	
18	911 333 303 00	eccentric screw		2		34	900 075 014 02	hexagon-head bolt M 6 X 18		2	
19	911 333 305 00	hexagon-head bolt		2		35	900 910 012 02	lock nut M 6		2	
20	911 333 307 00	washer M 10 X 30		4		36	N 012 226 5	spring washer B 6		2	
21	900 083 066 08	hexagon-head bolt M 12 X 1,5 X 40		4		37	999 651 203 40	cable holder		2	
22	N 022 141 4	lock nut VFM 12 X 1,5		6							
23	901 333 143 01	washer		10							
24	999 523 109 02	lock washer M 12		10							
25	901 333 133 04	eccentric		2							
26	901 333 133 05	eccentric		2							
27	900 078 017 02	hexagon nut M 12 X 1,5		2							
28	911 333 115 00	torsion bar 25 \$	/L	1	CARRERA						
(28)	911 333 116 00	torsion bar 25 \$	/R	1	CARRERA						
(28)	911 333 101 03	torsion bar 26 \$	/L -88	1	TURBO						

- - - E N D - - -

Model	Year	MG	SG	Illustration	Restrictions	Update	8:42	17.08.2004	PORSCHE	PET	PORSCHE
911	89	5	01	501-05		179					

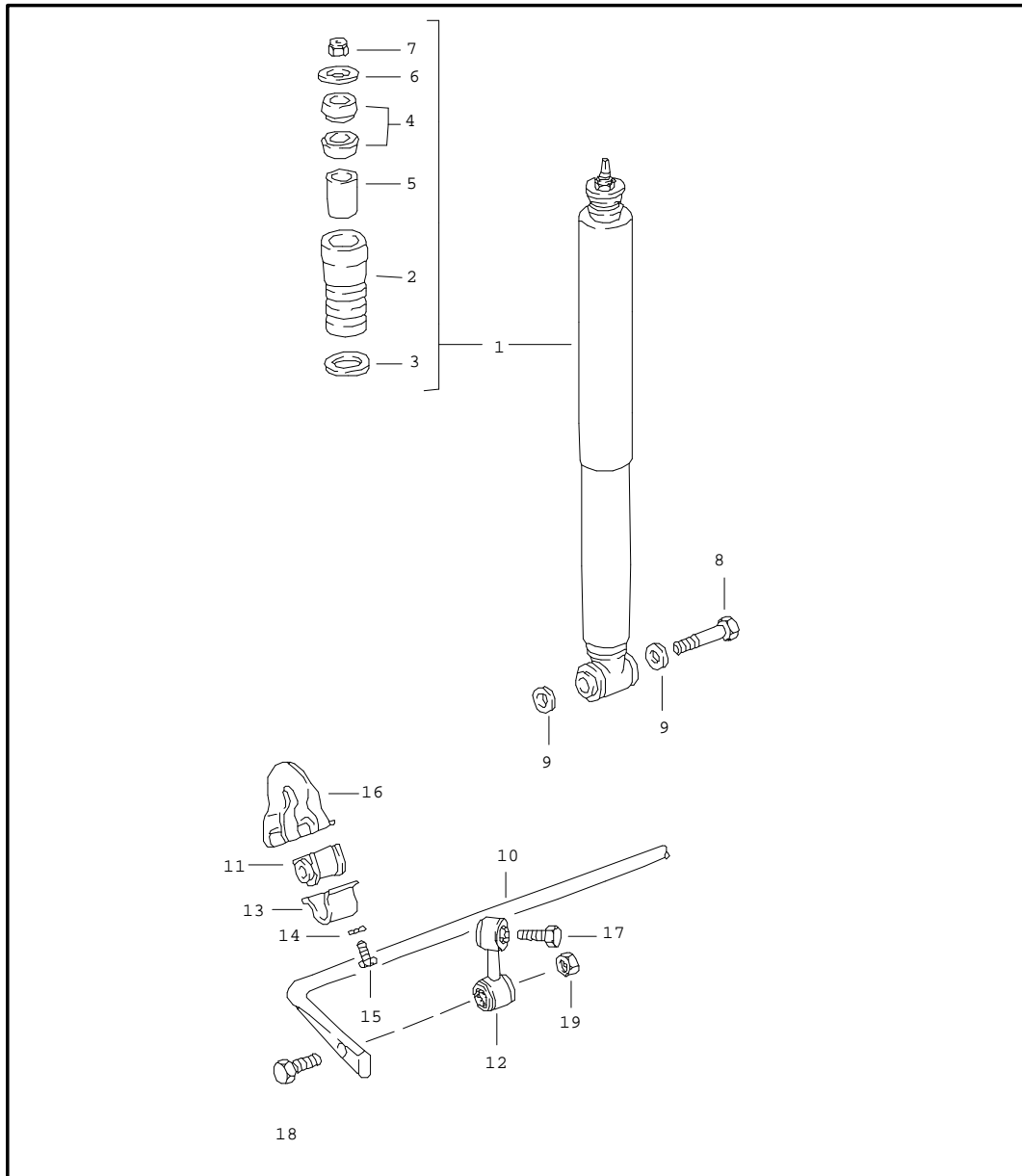


Pos	Part Number	Name	Remarks	Qty	Model
		drive shaft rear-wheel hub			
1	911 332 024 14	drive shaft		2	CARRERA
2	930 332 037 04	drive shaft		2	TURBO CARRERA M 491
3	930 332 232 05	drive shaft	-88	2	TURBO CARRERA M 491
3	930 332 232 05	drive shaft	89-	2	TURBO CARRERA M 491
4	900 067 123 01	pan-head screw M 10 X 50		X	
5	911 332 191 00	plate		X	
6	* 911 332 257 00	clip \$ 73 MM		4	
7	* 928 332 257 01	clip \$ 34 MM		4	
8	* 999 152 084 01	circlip		4	
9	911 331 065 33	rear-wheel hub		2	CARRERA
(9)	930 331 065 03	rear-wheel hub		2	TURBO CARRERA M 491
10	904 341 671 00	wheel bolt		10	CARRERA
(10)	901 331 671 01	wheel bolt		10	TURBO CARRERA M 491
11	928 331 591 02	washer		2	CARRERA
(11)	999 025 046 01	washer		2	TURBO CARRERA M 491
12	901 332 806 00	castle nut		2	TURBO
				2	CARRERA M 491
(12)	900 910 093 02	lock nut		2	CARRERA

Model	Year	MG	SG	Illustration	Restrictions	Update	8:42	17.08.2004	PORSCHE	PET	PORSCHE
911	89	5	01	501-05		179					

Pos	Part Number	Name	Remarks	Qty	Model	Pos	Part Number	Name	Remarks	Qty	Model
13	N 012 538 1	cotter pin 4 X 40		2	TURBO						
				2	CARRERA M 491						
14	* 000 043 110 01	grease optimoly 1 tube 100 g		X							
15	* 928 332 924 02	repair kit dust bellows optimoly 1 tube 100 g		1							
16	911 332 923 01	repair kit constant-velocity joint		2	CARRERA						
16	911 332 923 01	repair kit constant-velocity joint		4	TURBO						
				4	CARRERA M 491						
		- - - E N D - - -									

Model	Year	MG	SG	Illustration	Restrictions	Update	8:42	17.08.2004	PORSCHE	PET	PORSCHE
911	89	5	02	502-00		179					



Pos	Part Number	Name	Remarks	Qty	Model
		vibration damper stabiliser			
(1)	911 333 051 06	vibration damper - boge -		2	CARRERA
(1)	911 333 051 07	vibration damper - boge -		2	CARRERA M 637/474
(1)	911 333 051 49	vibration damper - bilstein -	-88	2	TURBO
(1)	911 333 051 59	vibration damper - bilstein -	89-	2	TURBO
				2	CARRERA M 474/491
2	911 333 301 04	additional spring		2	
3	911 333 511 00	washer		2	TURBO
4	911 333 521 00	ring		4	
5	911 333 522 00	bush		2	
6	911 333 523 00	washer		2	TURBO
7	900 084 013 02	lock nut M 10 X 1		2	
8	900 082 054 02	hexagon-head bolt M 14 X 1,5 X 85		2	CARRERA
(8)	900 082 019 08	hexagon-head bolt M 14 X 1,5 X 90		2	TURBO
				2	CARRERA M 491
9	999 025 062 02	washer		2	CARRERA
9	999 025 062 02	washer		4	TURBO
				4	CARRERA M 491
10	911 333 701 11	stabiliser 21\$		1	CARRERA
(10)	930 333 701 25	stabiliser 20 \$	-88	1	TURBO
10	930 333 701 28	stabiliser 18 \$	89-	1	TURBO

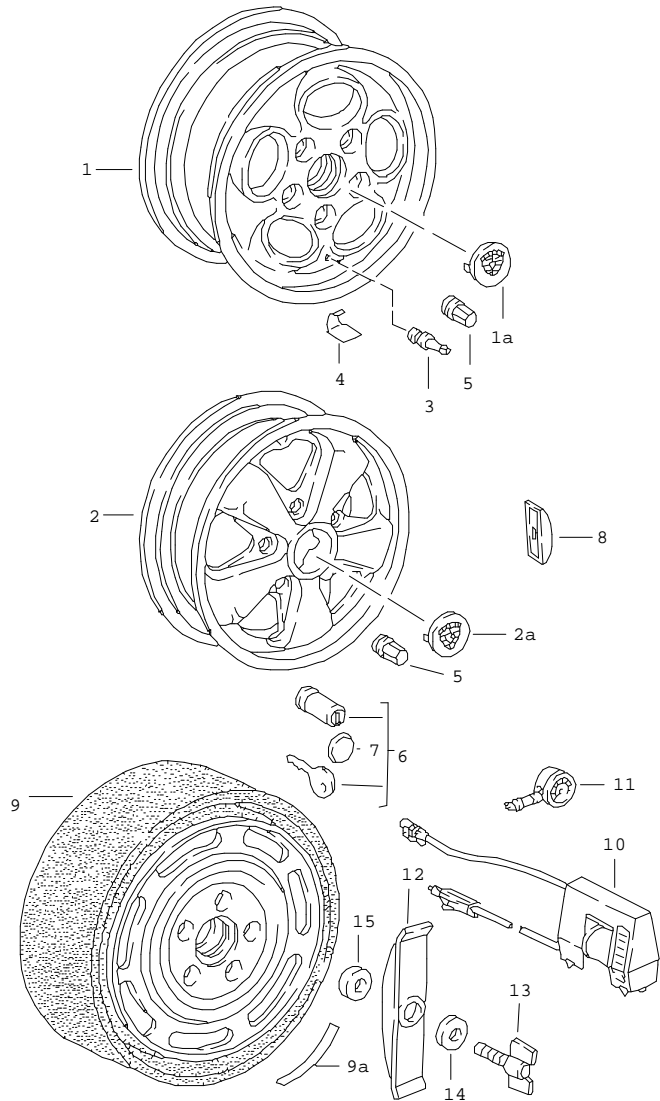
Model	Year	MG	SG	Illustration	Restrictions	Update	8:42	17.08.2004	PORSCHE	PET	PORSCHE
911	89	5	02	502-00		179					

Pos	Part Number	Name	Remarks	Qty	Model	Pos	Part Number	Name	Remarks	Qty	Model
11	477 411 313 D	rubber mounting 21 \$		2	CARRERA						
(11)	477 411 313 C	stabiliser mounting 20 \$	-88	2	TURBO						
(11)	477 411 313 B	stabiliser mounting 18 \$	89-	2	TURBO						
12	930 333 071 00	stabiliser mounting	/L	1							
(12)	930 333 072 00	stabiliser mounting	/R	1							
13	113 411 333	retaining bow		2							
14	900 027 015 02	lock ring B 8		4							
15	N 010 239 11	hexagon-head bolt M 8 X 18		4							
16	911 501 180 02	bracket		2							
17	N 010 156 3	hexagon-head bolt M 12 X 1,5 X 70		2							
18	900 082 035 02	hexagon-head bolt M 12 X 1,5 X 60		2							
19	900 910 046 02	lock nut VM 12 X 1,5		2							
		- - - E N D - - -									

Model	Year	MG	SG	Illustration	Restrictions	Update	9:29	17.08.2004
911	89	5	98	REP		179		

Pos	Part Number	Name	Remarks	Qty	Model
		repair kits			
>>	> 928 332 924 02	repair kit dust bellows comprising: cover		4	
-	999 152 084 01	circlip		1	
-	911 332 257 00	clip \$ 73 MM dust bellows		1	
-	928 332 257 01	clip \$ 34 MM		1	
-	000 043 005 00	grease for drive shaft optimoly 90 G.		1	
>>	> 911 332 923 01	repair kit constant-velocity joint		2	CARRERA
>>	> 911 332 923 01	repair kit constant-velocity joint		4	TURBO
		comprising: constant-velocity joint cover		4	CARRERA M 491
-	999 152 084 01	circlip dust bellows		1	
-	911 332 257 00	clip \$ 73 MM		1	
-	928 332 257 01	clip \$ 34 MM		1	
-	000 043 005 00	grease for drive shaft optimoly 90 G.		1	
		- - - E N D - - -			

Model	Year	MG	SG	Illustration	Restrictions	Update	8:42	17.08.2004	PORSCHE	PET	PORSCHE
911	89	6	01	601-00		179					



Pos	Part Number	Name	Remarks	Qty	Model
		wheels			
1	911 361 023 46	alloy wheel silver metallic 6 J X 15 ET 36	/V	2	CARRERA
1	951 362 104 00	alloy wheel silver metallic 7 J X 15 ET 23,3	/H	2	CARRERA
1	951 362 116 00	alloy wheel	/H /H	2 2	TURBO CARRERA M 491
1	951 362 114 00	alloy wheel	/V /H	2 2	TURBO CARRERA M 491
1A	928 361 032 01	hub cap silver metallic		4	
2	911 361 020 90	alloy wheel unvarnished rim flange polished for winter use 6 J X 15 ET 36	/V	2	CARRERA
2	911 361 020 41	alloy wheel black star rim flange polished 7 J X 15 ET 23,3	/V	2	CARRERA
2	911 361 020 93	alloy wheel unvarnished rim flange polished for winter use 7 J X 15 ET 23,3	/H /V	2 2	CARRERA M 491/TURBO

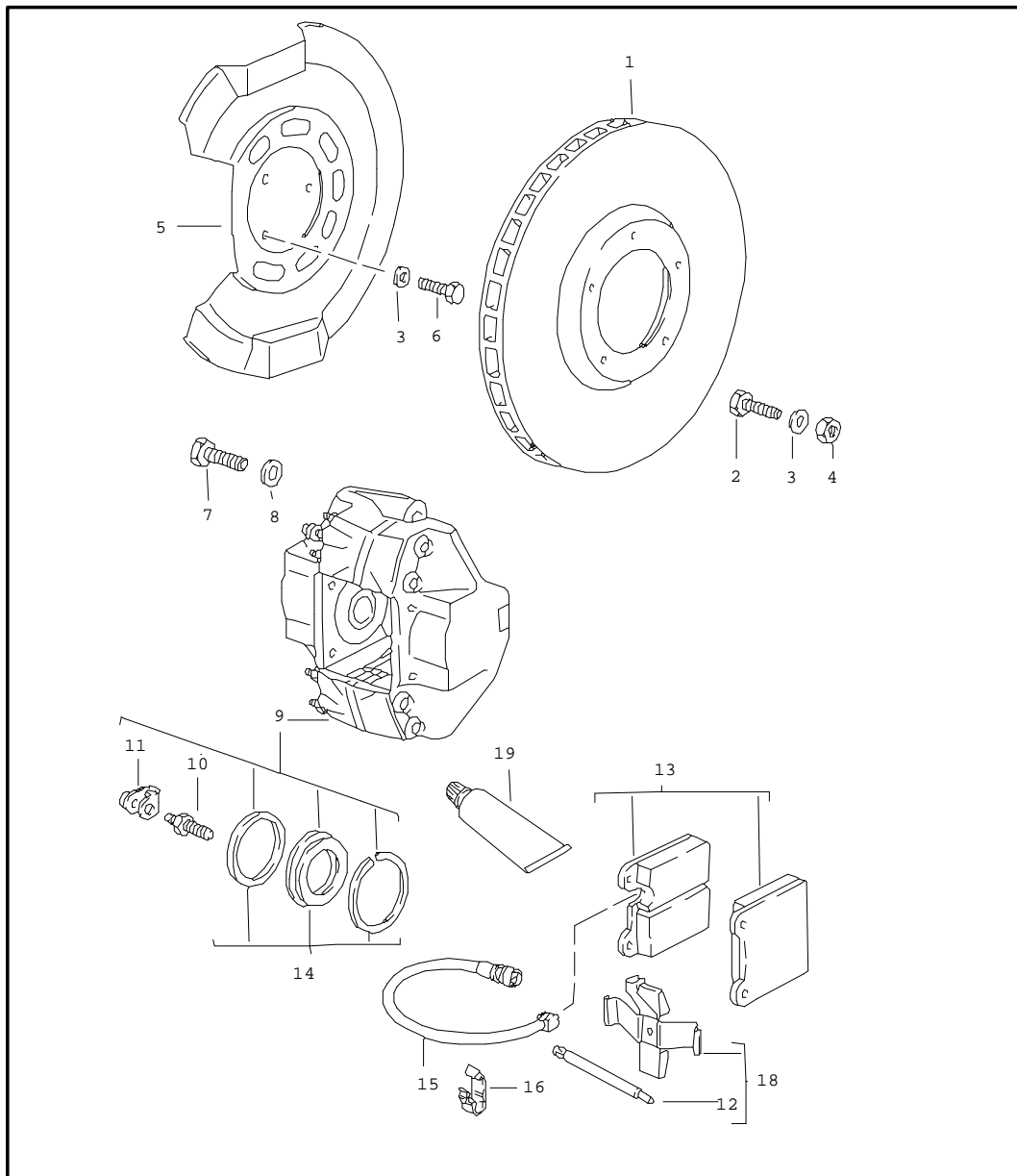
Model	Year	MG	SG	Illustration	Restrictions	Update	8:42	17.08.2004	PORSCHE	PET	PORSCHE
911	89	6	01	601-00		179					

Pos	Part Number	Name	Remarks	Qty	Model	Pos	Part Number	Name	Remarks	Qty	Model
2	911 361 020 42	alloy wheel black star rim flange polished 8 J X 15 ET 10,6	/H	2	CARRERA	(2)	911 362 117 00	alloy wheel	/H /H	2	TURBO
								unvarnished rim flange polished 8 J X 16 ET 10,6		2	CARRERA M 491
2	911 361 020 94	alloy wheel for winter use unvarnished rim flange polished 8 J X 15 ET 10,6	/H	2	CARRERA	(2)	911 362 119 90	perforated disc wheel	/H /H	2	TURBO
				2	M 491/TURBO			unvarnished rim flange polished 9 J X 16 ET 15		2	CARRERA M 491
2	911 362 113 00	alloy wheel black star rim flange polished 6 J X 16 ET 36	/V	2	CARRERA M 395	2	911 362 119 00	alloy wheel	/H /H	2	TURBO
				2	TURBO M 491			black star rim flange polished 9 J X 16 ET 15		2	CARRERA M 491
2	911 362 113 00	alloy wheel unvarnished rim flange polished for winter use 6 J X 16 ET 36	/V /V	2	CARRERA M 395	2A	911 361 032 28	hub cap black		4	
				2	TURBO M 491	2A	911 361 032 29	hub cap grand prix white		4	
2	911 362 115 00	alloy wheel black star rim flange polished 7 J X 16 ET 23,3	/V /H	2	TURBO/M 491	2A	911 361 032 30	hub cap platinum-metallic		4	
				2	CARRERA M 395	2A	911 361 032 50	hub cap	-88	4	JUBI.88
							697	diamond-blue metallic			
2	911 362 115 90	alloy wheel unvarnished rim flange polished 7 J X 16 ET 23,3	/V /H	2	TURBO/M 491	3	900 265 001 50	rubber valve		4	
				2	CARRERA M 395	4	911 361 561 01	valve support		4	
						5	999 182 003 36	wheel nut		20	
						(5)	928 361 306 03	wheel nut lockable without lock		4	
2	911 362 117 00	alloy wheel black star rim flange polished 8 J X 16 ET 10,6	/H /H	2	TURBO	6	928 361 047 03	wheel nut set lockable		1	
				2	CARRERA M 491	7	965 361 167 00	cap		4	
						8	901 361 410 50	balance stick-on weight 5 GR.		X	

Model	Year	MG	SG	Illustration	Restrictions	Update	8:42	17.08.2004	PORSCHE	PET	PORSCHE
911	89	6	01	601-00		179					

Pos	Part Number	Name	Remarks	Qty	Model	Pos	Part Number	Name	Remarks	Qty	Model
8	901 361 410 00	balance stick-on weight 10 GR.		X		9A	996 361 701 00	sticker for emergency wheel english		X	
8	901 361 411 50	balance stick-on weight 15 GR.		X		9A	996 361 701 01	sticker for emergency wheel french		X	
8	901 361 411 00	balance stick-on weight 20 GR.		X		9A	928 701 148 05	sticker for emergency wheel italian		X	
8	901 361 412 50	balance stick-on weight 25 GR.		X		9A	928 701 149 00	sticker for emergency wheel spanish		X	
8	901 361 412 00	balance stick-on weight 30 GR.		X		(10)	911 652 052 00	small electric compressor		1	
8	901 361 413 50	balance stick-on weight 35 GR.		X		-	996 361 521 00	boot for impeller		1	
8	901 361 413 00	balance stick-on weight 40 GR.		X		11	911 722 201 02	tyre pressure gauge		1	
8	901 361 414 50	balance stick-on weight 45 GR.		X		12	911 361 633 01	clamping bow		1	
8	901 361 414 00	balance stick-on weight 50 GR.		X		(12)	477 813 157	fastening plate \$ 90 MM		1	
8	901 361 415 50	balance stick-on weight 55 GR.		X		13	999 074 106 02	winged screw M 8 X 25		1	
8	901 361 415 00	balance stick-on weight 60 GR.		X		14	900 151 008 02	washer B 8,4		1	
8	901 361 416 50	balance stick-on weight 65 GR.		X		15	803 813 583	washer		1	
8	901 361 416 00	balance stick-on weight 70 GR.		X				- - - E N D - - -			
8	901 361 417 50	balance stick-on weight 75 GR.		X							
8	901 361 417 00	balance stick-on weight 80 GR.		X							
9	928 362 030 02	emergency wheel with collapsible tire		1							
9A	928 701 145 05	sticker for emergency wheel german		X							

Model	Year	MG	SG	Illustration	Restrictions	Update	8:42	17.08.2004	PORSCHE	PET	PORSCHE
911	89	6	02	602-00		179					

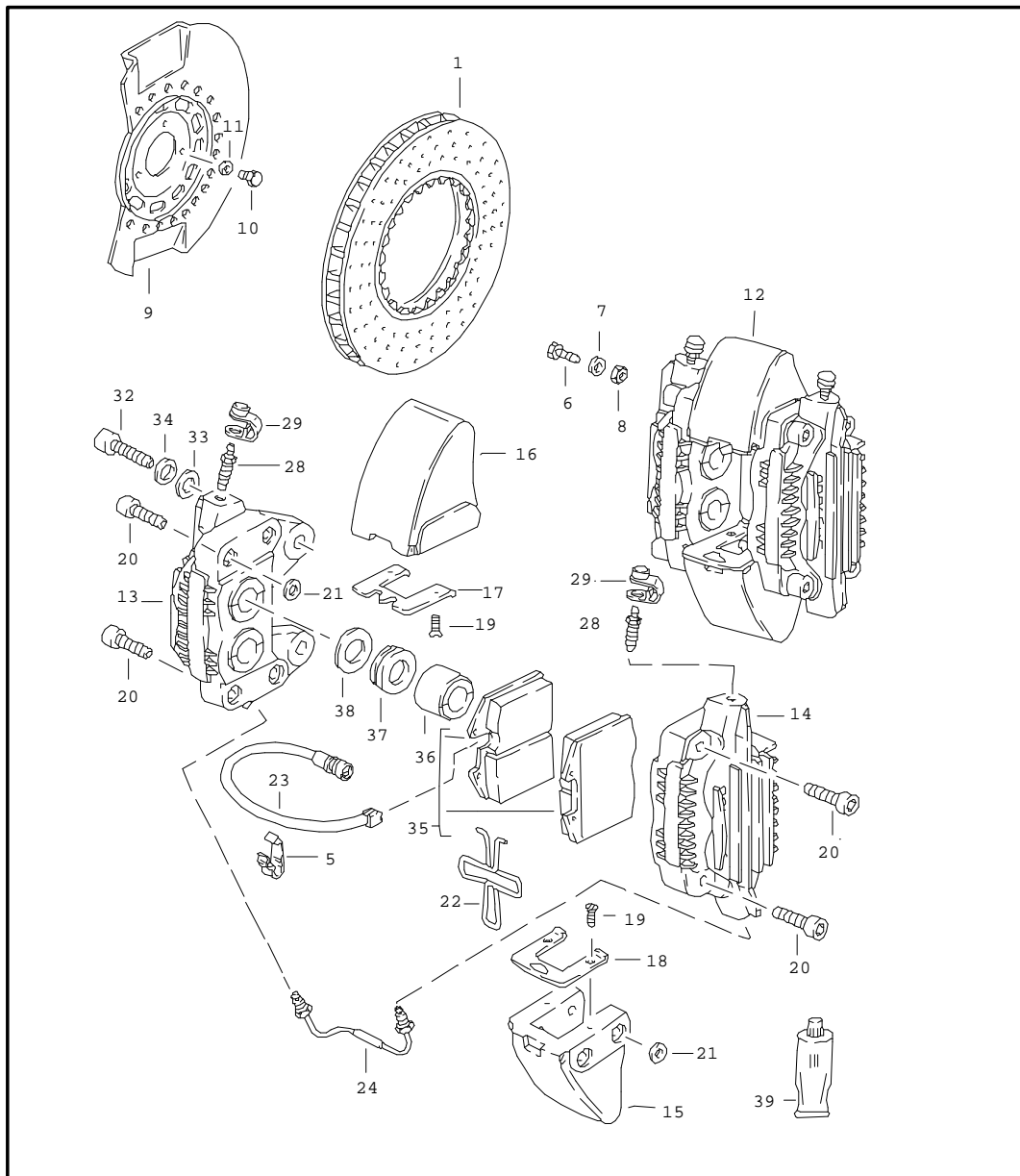


Pos	Part Number	Name	Remarks	Qty	Model
		brake front axle			CARRERA
		see technical information GR.4, NR. 4/99			
1	911 351 041 22	brake disc		2	
2	900 075 079 02	hexagon-head bolt M 8 X 22		10	
3	N 012 241 8	spring washer B 8		10	
4	900 076 025 02	hexagon nut M 8		10	
5	901 351 801 17	protective plate		2	
6	N 010 235 3	hexagon-head bolt M 8 X 10		6	
7	900 083 023 02	hexagon-head bolt M 12 X 1,5 X 35		4	
8	N 012 232 1	spring washer B 12		4	
9	911 351 425 03	fixed calliper without pad	/L	1	
9	911 351 426 03	fixed calliper without pad	/R	1	
10	911 351 919 02	ventilation valve		2	
11	930 351 927 00	dust boot		2	
12	* 911 351 923 00	retaining pin		4	
13	A 911 351 950 01	set of brake pads	-88	1	
13	A 911 351 950 02	set of brake pads		1	M 475
13	911 351 950 06	set of brake pads - textar - use also: 993.612.965.00		1	
14	911 351 946 00	set of seals		2	
15	944 612 211 00	warning contact		2	

Model	Year	MG	SG	Illustration	Restrictions	Update	8:42	17.08.2004	PORSCHE	PET	PORSCHE
911	89	6	02	602-00		179					

Pos	Part Number	Name	Remarks	Qty	Model	Pos	Part Number	Name	Remarks	Qty	Model
(15)	A 993 612 965 01	brake pad wear indicator for set of brake pads 911.351.950.06		2							
(15)	993 612 965 01	warning contact for set of brake pads 911.351.950.06 use also:		2							
-	000 043 205 13	sealing compound SILASTIC 732 RTV 90 ML		1							
16	944 612 627 00	holder		2							
18	911 351 951 01	parts kit for set of brake pads		1							
19	000 043 117 00	brake cylinder paste 1 50-g tube - - - E N D - - -		X							

Model	Year	MG	SG	Illustration	Restrictions	Update	8:42	17.08.2004	PORSCHE	PET	PORSCHE
911	89	6	02	602-05		179					

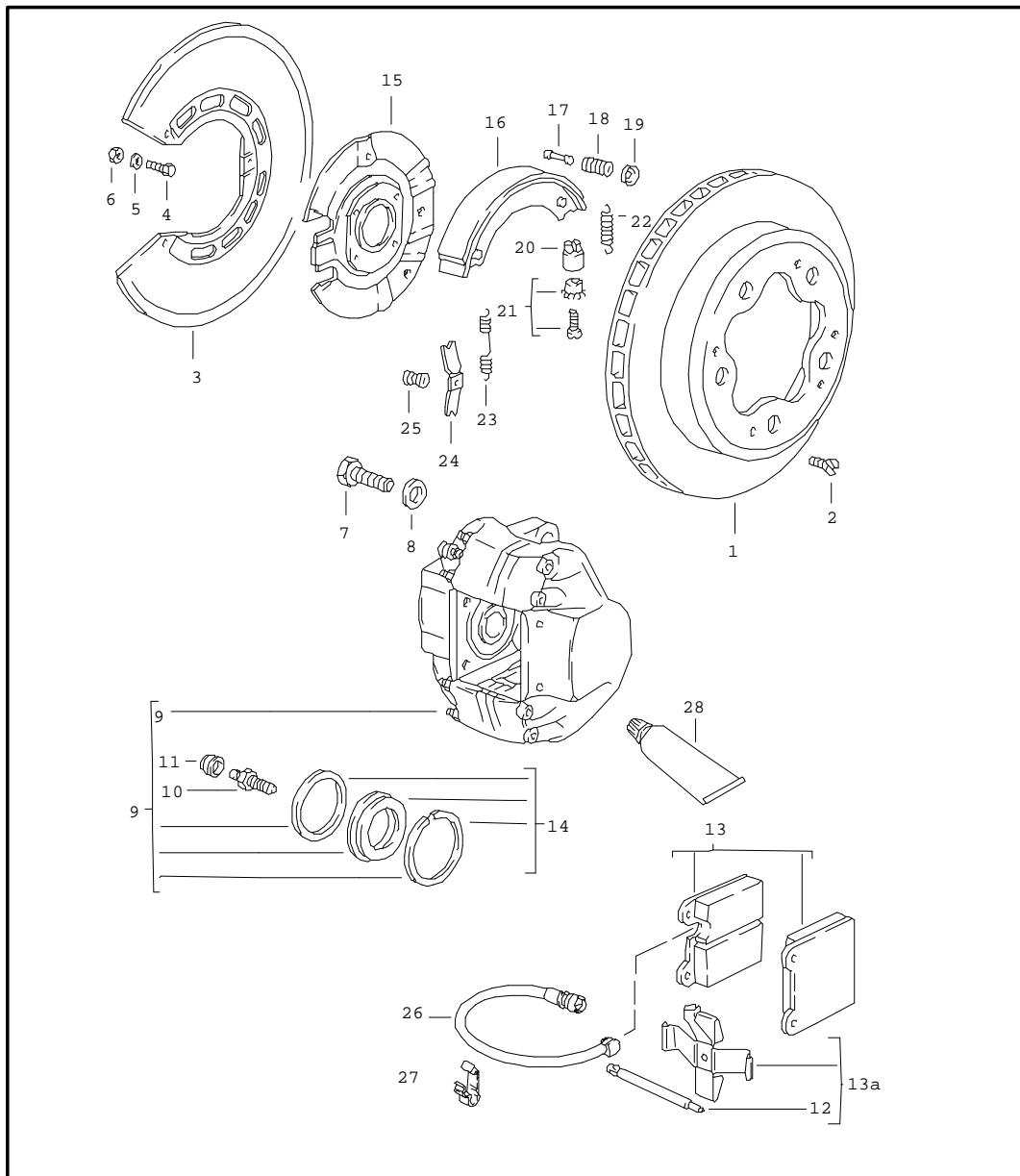


Pos	Part Number	Name	Remarks	Qty	Model
		brake front axle			TURBO CARRERA M 491
1	930 351 047 02	brake disc	/L	1	
(1)	930 351 048 02	brake disc	/R	1	
5	944 612 627 00	holder		2	
6	900 075 079 02	hexagon-head bolt M 8 X 22		10	
7	N 012 241 8	spring washer B 8		10	
8	900 076 025 02	hexagon nut M 8		10	
9	930 351 803 01	protective plate		2	
10	N 010 235 3	hexagon-head bolt M 8 X 10		6	
11	N 012 241 8	spring washer B 8		6	
12	930 351 091 03	brake calliper without pad	/L	1	
(12)	930 351 092 03	brake calliper without pad	/R	1	
13	A 930 351 091 03	brake calliper inner part comprising: housing inner part sealing ring \$ 38 MM scraper ring \$ 38 MM piston \$ 38 MM	/L	1	

Model	Year	MG	SG	Illustration	Restrictions	Update	8:42	17.08.2004	PORSCHE	PET	PORSCHE
911	89	6	02	602-05		179					

Pos	Part Number	Name	Remarks	Qty	Model	Pos	Part Number	Name	Remarks	Qty	Model
(13)	A 930 351 092 03	brake calliper inner part comprising: housing inner part sealing ring \$ 38 MM scraper ring \$ 38 MM piston \$ 38 MM	/R	1		33	930 351 553 01	spacer		4	
				1		34	N 012 232 1	spring washer B 12		4	
				2		35	930 351 938 05	set of brake pads	-88	1	
				2		35	951 351 939 04	set of brake pads without asbestos		1	
				2		36	930 351 551 04	piston \$ 38 MM		8	
14	A 930 351 953 01	brake calliper outer part comprising: housing outer part sealing ring \$ 38 MM scraper ring \$ 38 MM piston \$ 38 MM		2		37	930 351 547 00	scraper ring		8	
				1		38	930 351 555 01	sealing ring		8	
				2		39	000 043 020 00	optimoly 1 tube 100 g		X	
				2		(39)	000 043 117 00	brake cylinder paste 1 50-g tube		X	
								- - - E N D - - -			
15	930 351 563 04	bridge		2							
16	930 351 564 03	bridge		2							
17	930 351 541 03	spring plate		2							
18	930 351 542 03	spring plate		2							
19	900 269 017 02	countersunk-head screw M 5 X 12		8							
20	900 067 170 02	pan-head screw M 12 X 1,5 X 40		16							
21	930 351 580 01	spacer sleeve		16							
22	951 352 950 00	expanding spring		2							
23	944 612 211 00	warning contact		2							
24	930 355 061 01	connecting line	/L	1							
(24)	930 355 062 01	connecting line	/R	1							
28	930 351 919 00	ventilation valve		4							
29	930 351 927 00	dust boot		4							
32	900 067 170 02	pan-head screw M 12 X 1,5 X 40		4							

Model	Year	MG	SG	Illustration	Restrictions	Update	8:43	17.08.2004	PORSCHE	PET	PORSCHE
911	89	6	03	603-00		179					

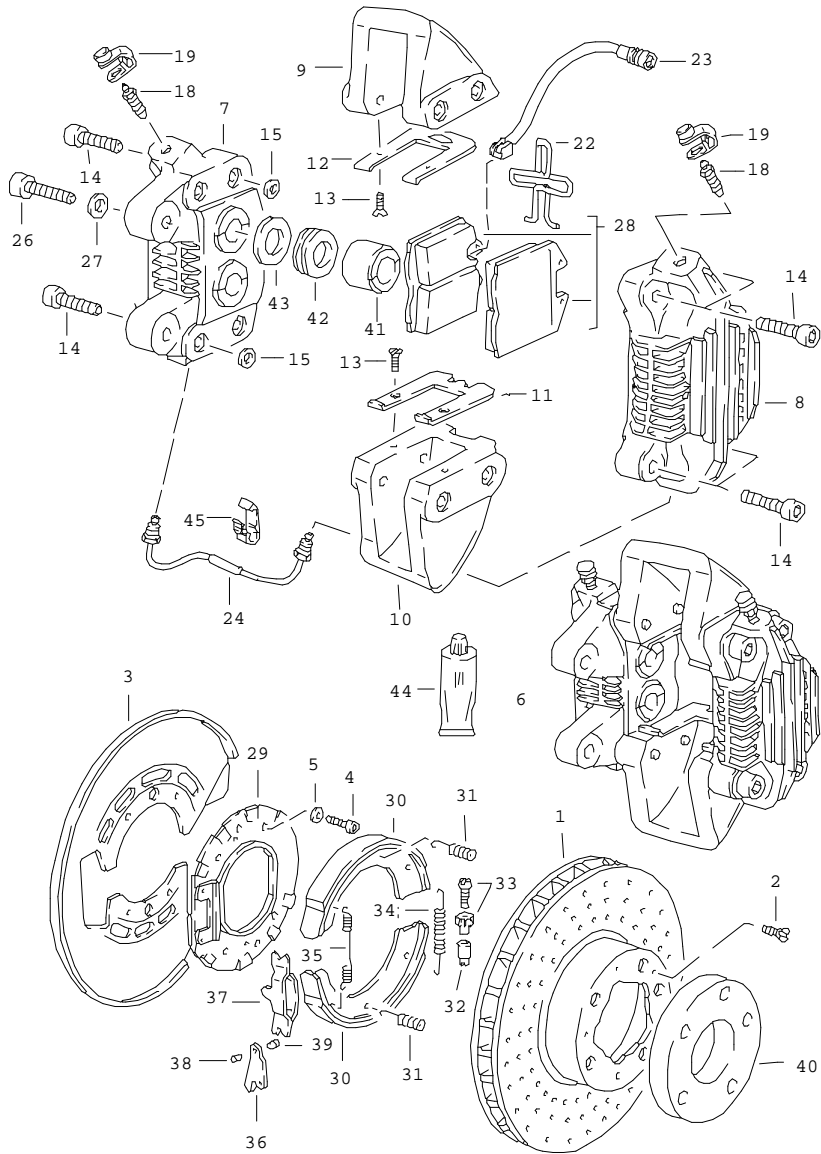


Pos	Part Number	Name	Remarks	Qty	Model
		brake rear axle			CARRERA
1	911 352 041 08	brake disc		2	
2	N 033 167 1	countersunk-head screw AM 6 X 12		4	
3	911 352 801 20	protective plate		2	
4	900 075 087 02	hexagon-head bolt M 8 X 16		4	
(4)	N 010 235 3	hexagon-head bolt M 8 X 10		2	
5	N 012 241 8	spring washer B 8		6	
6	900 076 025 02	hexagon nut M 8		4	
7	N 010 137 2	hexagon-head bolt M 12 X 1,5 X 35		4	
8	900 027 017 02	lock ring B 12		4	
9	911 352 425 00	fixed calliper without pad	/L	1	
(9)	911 352 426 00	fixed calliper without pad	/R	1	
10	901 352 977 10	bleeder valve		2	
11	901 351 927 10	dust boot		2	
12	* 911 352 923 00	retaining pin		4	
13	A 911 352 950 01	set of brake pads		1	
13	A 911 352 950 02	set of brake pads		1	
13	911 352 950 04	set of brake pads - textar -		1	
13A	911 352 951 01	parts kit		1	
14	911 352 905 00	set of seals		2	
		handbrake			
15	911 352 081 30	supporting plate		2	

Model	Year	MG	SG	Illustration	Restrictions	Update	8:43	17.08.2004	PORSCHE	PET	PORSCHE
911	89	6	03	603-00		179					

Pos	Part Number	Name	Remarks	Qty	Model	Pos	Part Number	Name	Remarks	Qty	Model
16	911 352 097 10	brake shoe		4							
17	901 352 959 10	roll pin		4							
18	901 352 957 10	compression spring		4							
19	901 352 955 10	concave washer		4							
20	911 352 944 00	bush		2							
21	911 352 098 00	adjusting screw		2							
22	901 352 932 10	return spring		2							
23	901 352 954 10	return spring		2							
24	911 352 090 00	expanding bow		4							
25	901 352 953 10	compression spring		2							
26	944 612 211 02	warning contact		2							
27	944 612 627 00	holder		2							
28	000 043 117 00	brake cylinder paste 1 50-g tube		X							
		- - - E N D - - -									

Model	Year	MG	SG	Illustration	Restrictions	Update	8:43	17.08.2004	PORSCHE	PET	PORSCHE
911	89	6	03	603-05		179					

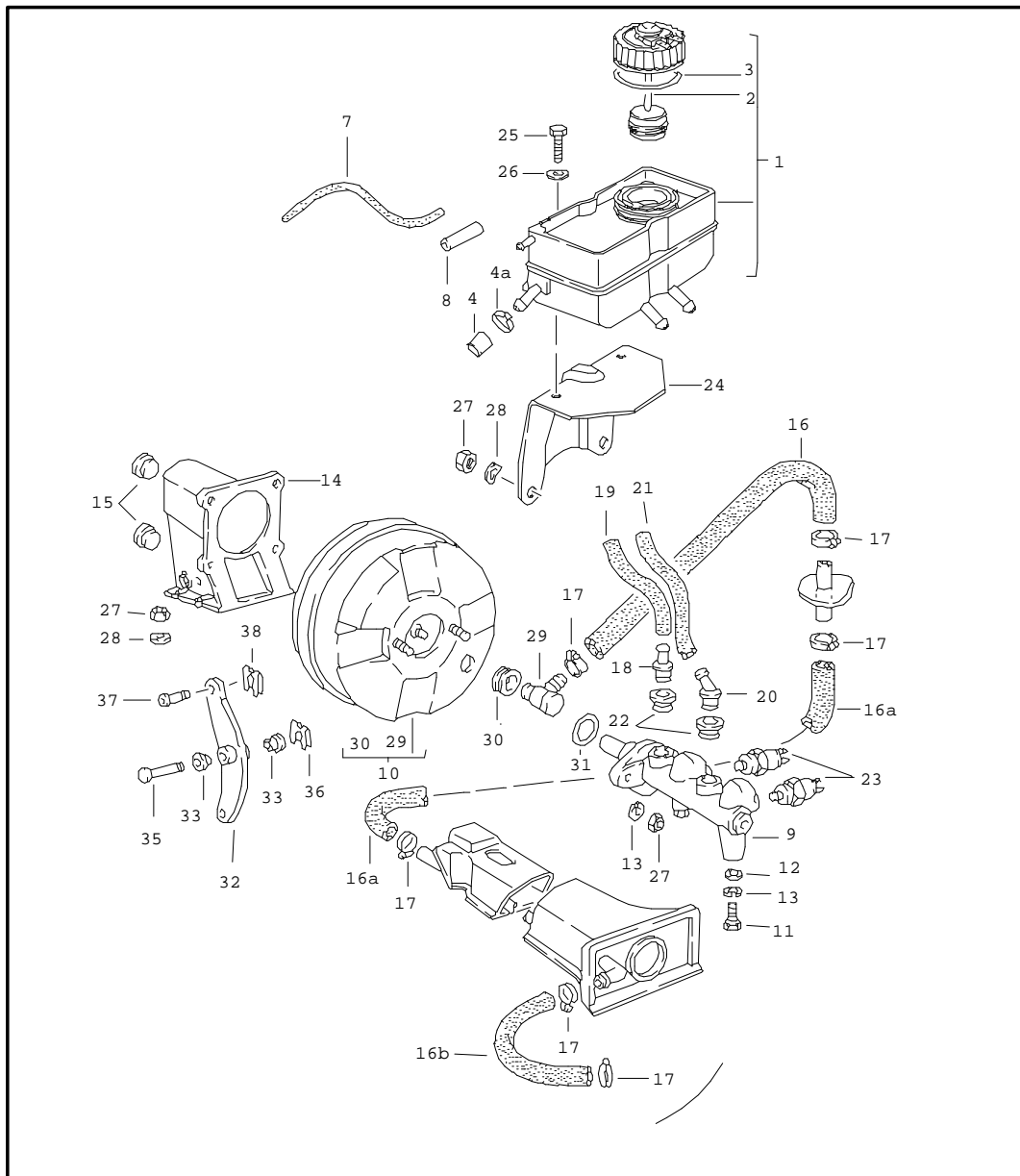


Pos	Part Number	Name	Remarks	Qty	Model
		brake rear axle			TURBO CARRERA M 491
1	930 352 045 01	brake disc	/L	1	
(1)	930 352 046 01	brake disc	/R	1	
2	N 033 167 1	countersunk-head screw M 6 X 12		4	
3	930 352 801 04	protective plate		2	
4	900 067 057 02	pan-head screw M 8 X 20		8	
5	N 012 241 8	spring washer B 8		8	
6	930 352 091 03	brake calliper without pad	/L	1	
(6)	930 352 092 03	brake calliper without pad	/R	1	
7 A	930 352 091 03	brake calliper inner part comprising: housing inner part sealing ring \$ 30 MM scraper ring \$ 30 MM piston \$ 30 MM	/L	1	
7 A	930 352 092 03	brake calliper inner part comprising: housing inner part sealing ring \$ 30 MM scraper ring \$ 30 MM piston \$ 30 MM	/R	1	

Model	Year	MG	SG	Illustration	Restrictions	Update	8:43	17.08.2004	PORSCHE	PET	PORSCHE
911	89	6	03	603-05		179					

Pos	Part Number	Name	Remarks	Qty	Model	Pos	Part Number	Name	Remarks	Qty	Model
8	930 352 953 01	brake calliper outer part comprising: housing outer part sealing ring \$ 30 MM scraper ring \$ 30 MM piston \$ 30 MM		2		30	996 352 993 00	repair kit without asbestos		4	
				1		31	930 352 957 00	compression spring		4	
				2		32	911 352 944 00	bush		2	
				2		33	911 352 098 00	adjusting screw		2	
				2		34	901 352 932 10	return spring		2	
				2		35	901 352 954 10	return spring		2	
9	930 352 563 03	bridge		2		36	993 352 073 00	push-button lock		2	
10	930 352 564 04	bridge		2		37	993 352 073 00	push-button lock		2	
11	930 351 539 03	spring plate		2		38	993 352 737 00	bolt		2	
12	930 351 540 03	spring plate		2		39	928 352 447 00	bolt		2	
13	900 269 017 02	countersunk-head screw M 5 X 12		8		40	930 331 611 04	spacer ring		2	
14	900 067 170 02	pan-head screw M 12 X 1,5 X 40		16		41	930 352 555 01	piston \$ 30 MM		8	
15	930 351 580 01	spacer sleeve		16		42	930 352 554 00	scraper ring		8	
18	930 351 919 00	ventilation valve		4		43	930 352 553 02	sealing ring		8	
19	930 351 927 00	dust boot		4		44	000 043 020 00	optimoly 1 tube 100 g		1	
22	951 352 950 00	expanding spring		2		(44)	000 043 117 00	brake cylinder paste 1 50-g tube		X	
23	930 612 211 00	warning contact		2		45	944 612 627 00	holder		6	
24	930 355 061 01	connecting line	/L	1							
(24)	930 355 062 01	connecting line	/R	1							
26	900 067 170 02	pan-head screw M 12 X 1,5 X 40		4							
27	900 028 014 02	spring washer B 12		4							
28	930 351 938 05	set of brake pads	-88	1							
28	951 351 939 04	set of brake pads without asbestos		1							
		handbrake									
29	930 352 081 03	supporting plate		2							

Model	Year	MG	SG	Illustration	Restrictions	Update	8:43	17.08.2004	PORSCHE	PET	PORSCHE
911	89	6	04	604-00		179					

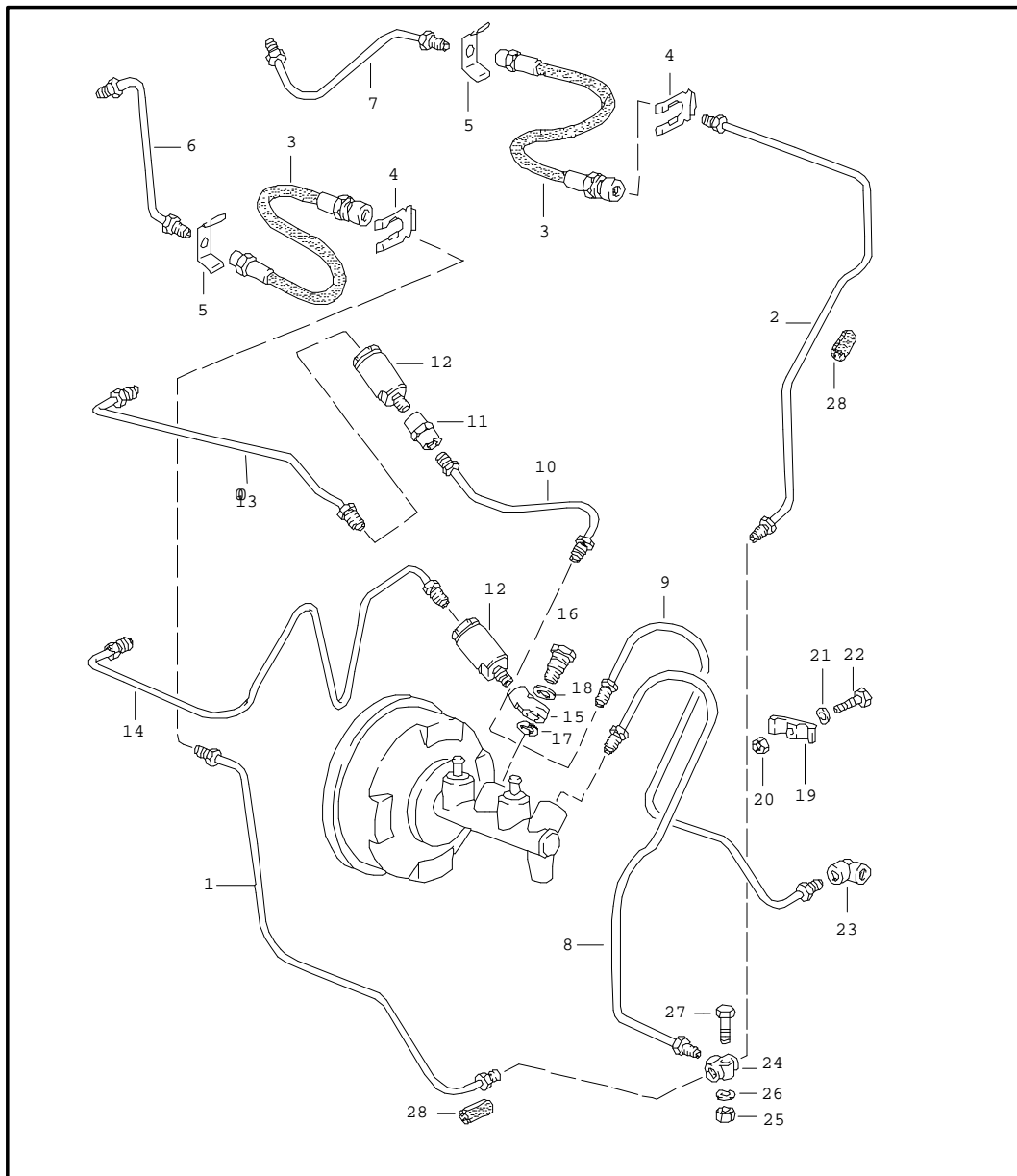


Pos	Part Number	Name	Remarks	Qty	Model
1	911 355 017 04	brake fluid reservoir		1	
2	911 355 351 00	brake master cylinder		1	
3	911 355 908 00	brake fluid reservoir		1	
4	911 355 327 00	threaded cover		1	
4A	999 512 055 02	gasket		1	TURBO
-	N 020 361 2	cap	-88	1	TURBO
7	-	hose clamp	-88	1	TURBO
7	-	hose		*	
7	-	4 X 1,5			
7	-	900 MM	/LL	1	
7	-	1500 MM	/RL	1	
8	911 355 155 00	pipe		1	
9	911 355 011 12	5 X 3 X 1280		1	
(9)	930 355 011 03	brake master cylinder		1	CARRERA
10	930 355 027 00	brake master cylinder		1	TURBO
(10)	930 355 027 02	brake master cylinder		1	CARRERA
10	930 355 027 00	vacuum booster		1	CARRERA
(10)	930 355 027 02	vacuum booster		1	TURBO
11	N 010 237 6	vacuum booster		1	CARRERA
11	N 010 237 6	hexagon-head bolt		1	
12	900 151 008 02	M 8 X 12		1	
12	900 151 008 02	washer		1	
13	900 027 015 02	A 8,4		3	
13	900 027 015 02	lock ring		3	
14	911 355 381 01	B 8		1	
(14)	911 355 382 00	bearing bracket	/LL	1	
15	999 703 056 40	bearing bracket	/RL	1	
15	999 703 056 40	plug		2	
16	911 355 609 00	hose	/LL	1	
-	999 181 022 51	hose		*	
-	999 181 022 51	11,8 X 4			

Model	Year	MG	SG	Illustration	Restrictions	Update	8:43	17.08.2004	PORSCHE	PET	PORSCHE
911	89	6	04	604-00		179					

Pos	Part Number	Name	Remarks	Qty	Model	Pos	Part Number	Name	Remarks	Qty	Model
(16)	-	790 MM brake booster boot floor plate	/RL	1		32	911 355 084 00	reverse lever	/RL	1	
16A	-	320 MM tunnel boot floor plate		1		(32)	911 355 083 03	reverse lever	/LL	1	
16B	-	1420 MM engine tunnel		1		33	928 423 542 00	bearing sleeve		2	
17	900 272 003 02	hose clamp		6		35	911 355 511 01	pin		1	
18	911 355 322 00	intake socket		1		36	N 012 654 1	lock		1	
-	999 181 021 50	hose 7,5 X 12,5		*		37	999 166 049 02	bolt		1	
19	-	65 MM		1		38	999 166 034 02	sl-lock		1	
20	911 355 323 00	intake socket		1				- - - E N D - - -			
-	999 181 021 50	hose 7,5 X 12,5		*							
21	-	120 MM		1							
22	911 355 922 00	plug		2							
23	113 945 515 H	stop light switch 2-pole		2							
24	911 355 033 00	support		1							
25	900 075 057 02	hexagon-head bolt M 6 X 16		1							
26	N 012 226 5	spring washer B 6		1							
27	N 022 146 1	lock nut M 8		10							
28	N 012 241 8	spring washer B 8		4							
29	191 611 933 F	check valve		1							
(29)	477 611 933 A	check valve		1	M 605						
30	911 355 921 00	rubber seal		1							
31	251 611 243	sealing ring		1							

Model	Year	MG	SG	Illustration	Restrictions	Update	8:43	17.08.2004	PORSCHE	PET	PORSCHE
911	89	6	04	604-05		179					

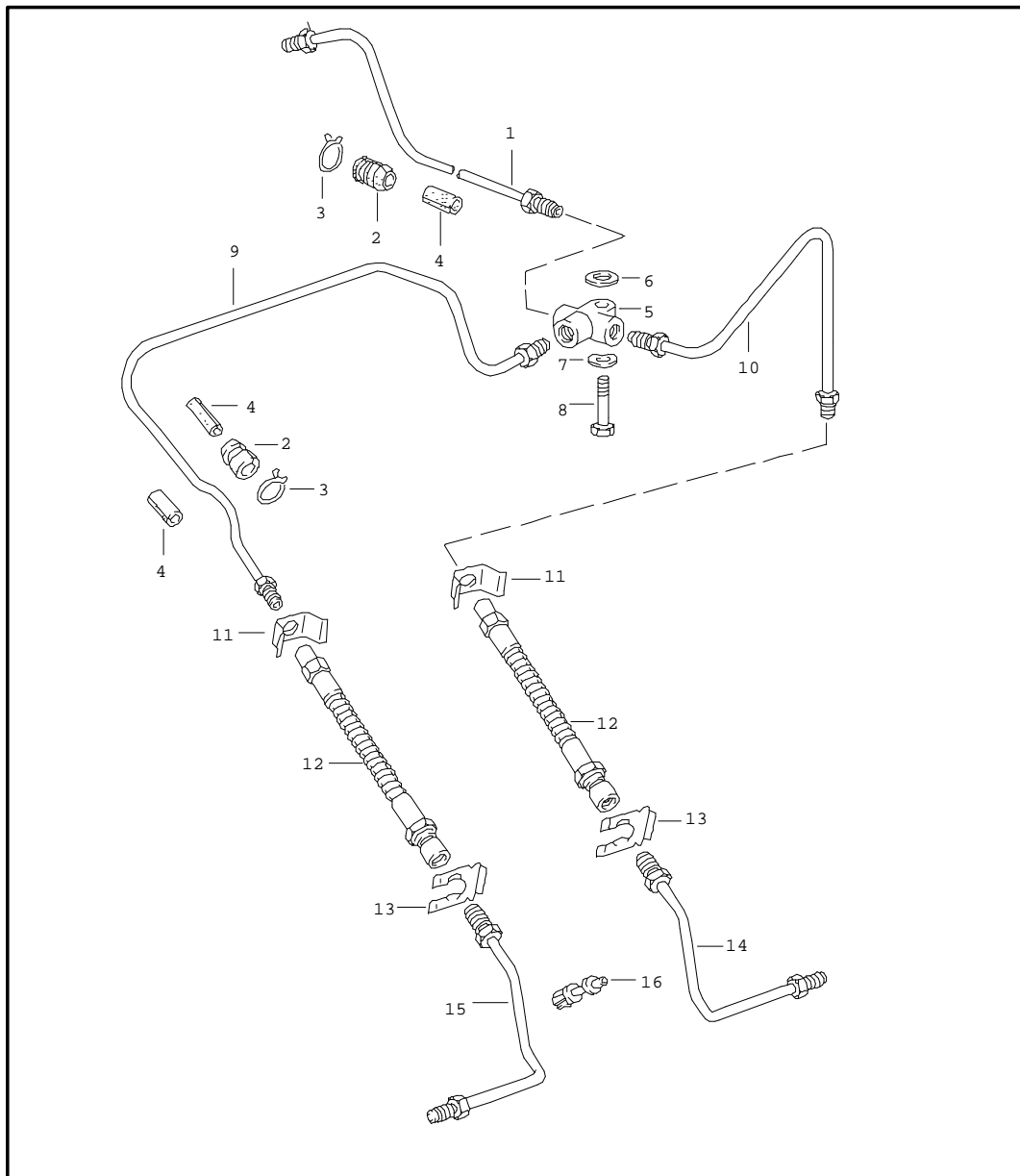


Pos	Part Number	Name	Remarks	Qty	Model
1	911 355 618 01	brake line front		1	
2	911 355 617 03	brake line	/L	1	
3	901 355 632 01	brake hose	/R	2	
4	113 611 715 A	brake hose bracket		2	
5	803 611 715	retainer spring		2	
6	911 355 605 01	brake line		2	CARRERA
6	930 355 063 00	brake line	/L	1	TURBO
7	930 355 064 00	brake line	/R	1	TURBO
8	911 355 608 03	connecting line	/LL	1	
8	911 355 065 00	connecting line	/RL	1	
9	911 355 607 03	connecting line	/LL	1	TURBO
9	911 355 066 00	connecting line	/RL	1	TURBO
10	911 355 077 03	brake line	/LL	1	CARRERA
11	914 355 661 00	intermediate piece M 10 X 1	/LL	1	CARRERA
12	930 355 305 00	regulator		1	CARRERA M 491
12 A	928 355 305 02	brake pressure regulator		1	CARRERA
12	928 355 305 02	brake pressure regulator		1	CARRERA
13	911 355 079 00	brake line	/LL	1	CARRERA
14	911 355 069 00	brake line	/RL	1	CARRERA
15	999 230 175 10	socket piece M 10 X 1	/RL	1	CARRERA
16	901 355 531 00	banjo bolt	/RL	1	CARRERA
17	N 013 808 3	sealing ring A 10 X 16	/RL	1	CARRERA
18	N 013 812 2	sealing ring A 12 X 15,5	/RL	1	CARRERA

Model	Year	MG	SG	Illustration	Restrictions	Update	8:43	17.08.2004	PORSCHE	PET	PORSCHE
911	89	6	04	604-05		179					

Pos	Part Number	Name	Remarks	Qty	Model	Pos	Part Number	Name	Remarks	Qty	Model
19	999 511 112 40	dual clip		1							
20	999 084 018 02	lock nut M 6		1							
21	N 012 226 5	spring washer A 6		1							
22	900 075 016 02	hexagon-head bolt M 6 X 22		1							
23	901 355 615 00	angled pipe		1							
24	914 355 667 00	distributor		1							
25	900 076 010 02	hexagon nut M 6		1							
26	N 011 524 7	washer		1							
27	900 075 017 02	hexagon-head bolt M 6 X 25		1							
28	914 355 691 00	protective tube		3							
		- - - E N D - - -									

Model	Year	MG	SG	Illustration	Restrictions	Update	8:43	17.08.2004	PORSCHE	PET	PORSCHE
911	89	6	04	604-10		179					



Pos	Part Number	Name	Remarks	Qty	Model
		brake line rear			
1	911 355 611 04	brake line		1	CARRERA
1	911 355 611 03	brake line	-88	1	TURBO
1	911 355 611 04	brake line	89-	1	TURBO
2	914 355 651 00	rubber sleeve		2	
3	914 355 652 00	clamp		2	
4	914 355 691 00	protective tube		3	
5	914 355 667 00	distributor		1	
6	N 011 666 7	washer B 6,4		1	
7	N 012 226 5	spring washer B 6		1	
8	900 075 017 02	hexagon-head bolt M 6 X 25		1	
9	911 355 627 06	connecting line	/L	1	CARRERA
(9)	930 355 627 04	connecting line	/L -88	1	TURBO
9	911 355 627 06	connecting line	/L 89-	1	TURBO
10	911 355 653 06	connecting line	/R	1	CARRERA
(10)	930 355 653 05	connecting line	/R -88	1	TURBO
10	911 355 653 06	connecting line	/R 89-	1	TURBO
11	803 611 715	retainer spring		2	
12	911 355 087 00	brake hose		2	
13	113 611 715 A	brake hose bracket		2	
14	911 355 622 03	brake line	/R	1	CARRERA
14	930 355 066 00	brake line	/R	1	TURBO
				1	CARRERA M 491
15	911 355 621 03	brake line	/L	1	CARRERA

Model	Year	MG	SG	Illustration	Restrictions	Update	8:43	17.08.2004	PORSCHE	PET	PORSCHE
911	89	6	04	604-10		179					

Pos	Part Number	Name	Remarks	Qty	Model	Pos	Part Number	Name	Remarks	Qty	Model
15	930 355 065 00	brake line	/L	1	TURBO						
				1	CARRERA M 491						
16	999 507 235 40	pipe clip		2	TURBO						
				2	CARRERA M 491						
		- - - E N D - - -									

Model	Year	MG	SG	Illustration	Restrictions	Update	9:30	17.08.2004
911	89	6	98	REP		179		

Pos	Part Number	Name	Remarks	Qty	Model
		repair kits			
		front axle see technical information GR.4, NR. 4/99			
>>	> 911 351 950 06	set of brake pads without asbestos comprising: brake pad use also: 993.612.965.00		1 4 2	CARRERA
>>	> 911 351 951 01	parts kit mounting parts comprising: expanding spring retaining pin		1 2 4	CARRERA
>>	> 911 351 946 00	set of seals for fixed calliper comprising: gasket protection cap clamping spring		2 2 2	CARRERA
		rear axle			
>>	> 911 352 950 01	set of brake pads comprising: brake pad	-88	1 4	CARRERA
>>	> 911 352 950 02	set of brake pads without asbestos comprising: brake pad		1 4	CARRERA
>>	> 911 352 950 04	set of brake pads comprising: brake pad		4 4	CARRERA
>>	> 911 352 951 01	parts kit mounting parts comprising: retaining pin expanding spring		1 4 2	CARRERA
>>	> 911 352 905 00	set of seals for fixed calliper comprising: gasket for piston protection cap		2 2 2	CARRERA
		front axle and rear axle			TURBO

PORSCHE

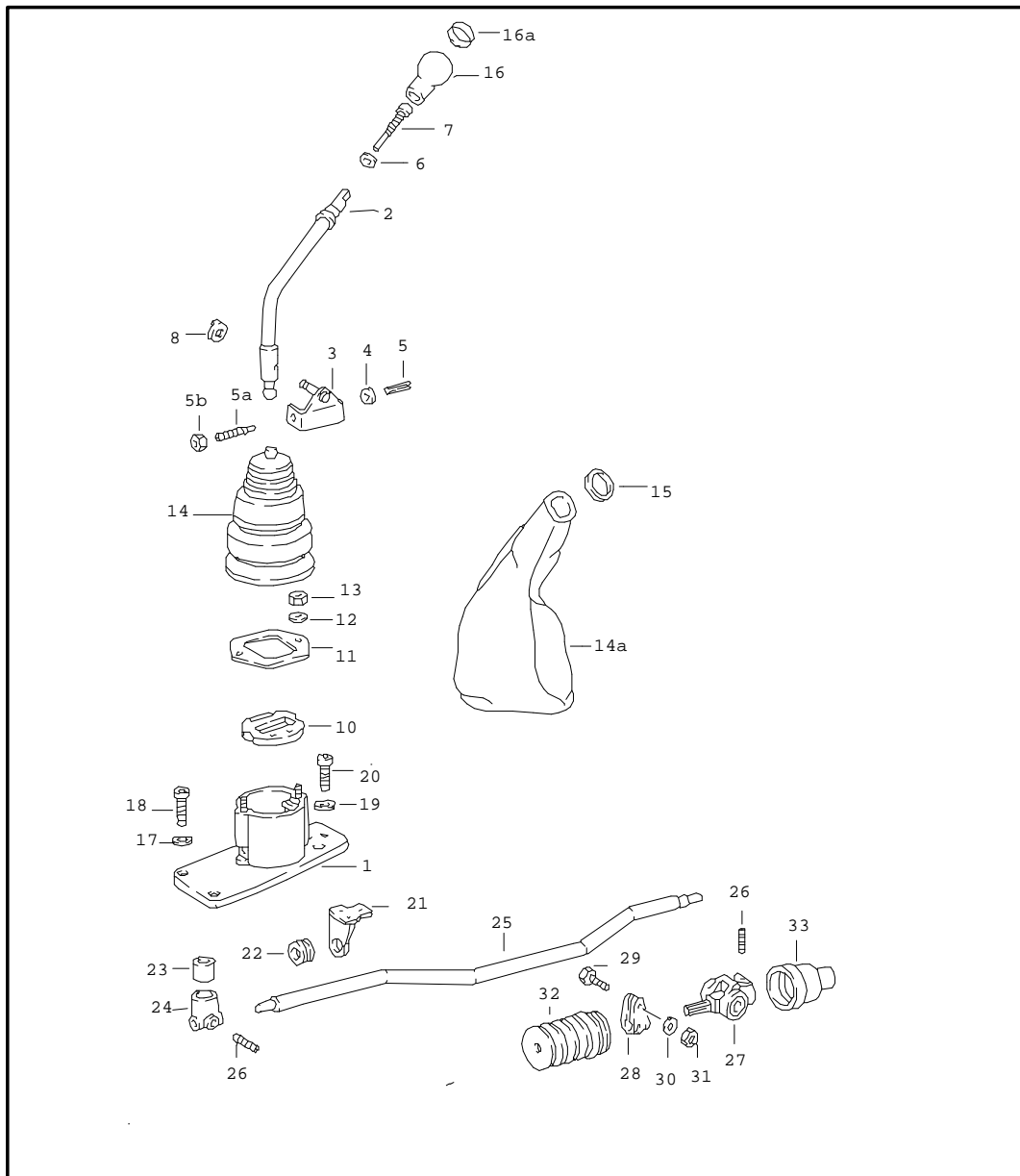
PET

PORSCHE

Model	Year	MG	SG	Illustration	Restrictions	Update	9:30	17.08.2004
911	89	6	98	REP		179		

Pos	Part Number	Name	Remarks	Qty	Model
>>	> 930 351 938 05	set of brake pads	-88	2	TURBO
		comprising:		2	CARRERA
		brake pad		4	M 491
>>	> 951 351 939 04	set of brake pads		2	TURBO
		without asbestos		2	CARRERA
		comprising:		4	M 491
		brake pad			
		- - - E N D - - -			

Model	Year	MG	SG	Illustration	Restrictions	Update	8:44	17.08.2004	PORSCHE	PET	PORSCHE
911	89	7	01	701-00		179					

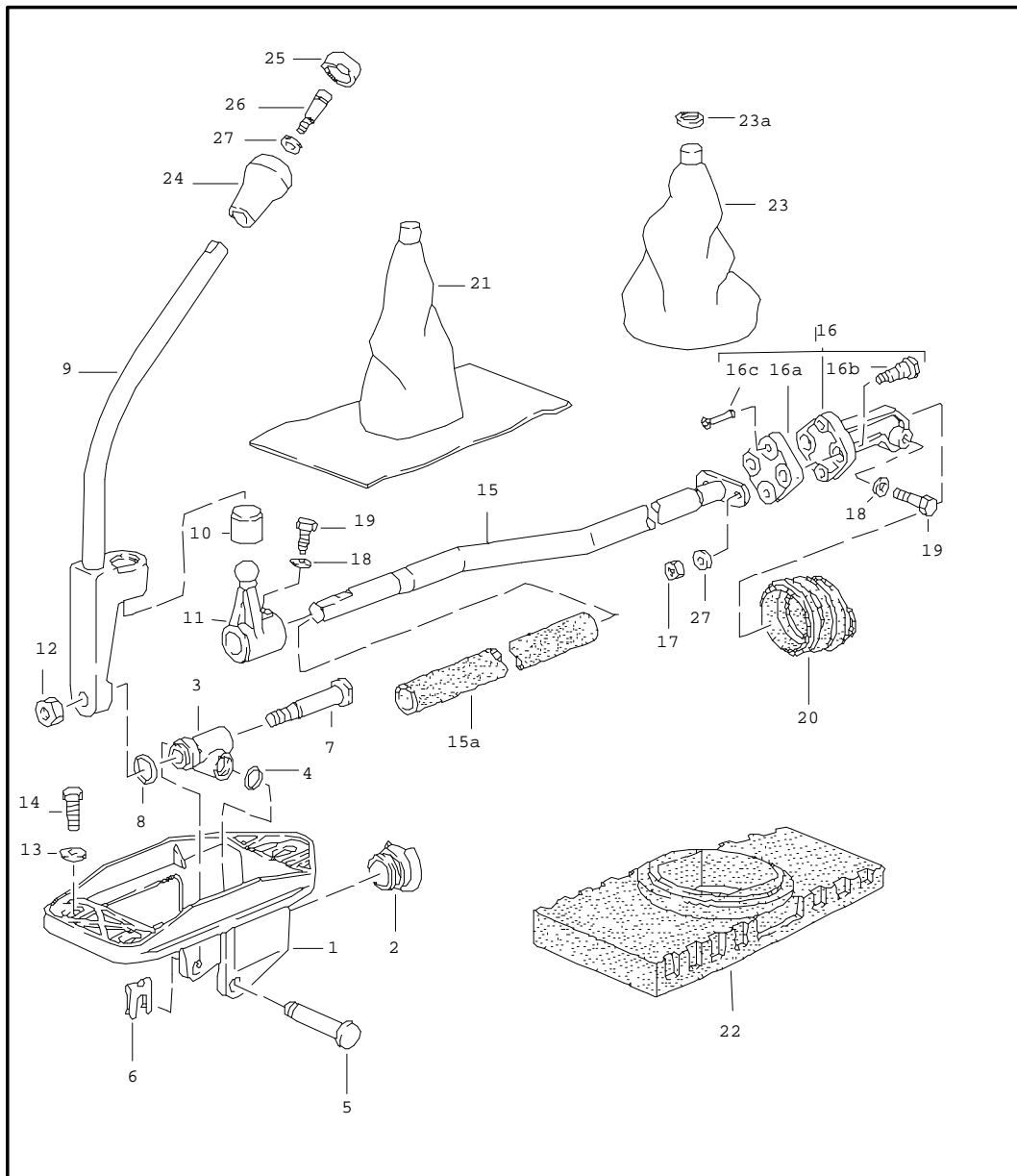


Pos	Part Number	Name	Remarks	Qty	Model
		transmission control	-88		TURBO
1	911 424 019 06	gearshift bracket		1	
2	930 424 017 04	gearshift lever		1	
3	930 424 071 00	fork		1	
-	930 424 125 00	leaf spring		1	
-	900 234 041 01	shim 10 X 16 X 1,3		1	
-	900 116 007 01	lock washer		1	
4	911 424 187 01	shim 0,2 MM		1	
5	900 197 035 01	tensioning sleeve 8 X 28		1	
5A	911 424 335 00	threaded pin		1	
5B	N 011 113 3	hexagon nut M 14		1	
6	N 011 525 13	washer A 8,4		1	
7	N 014 715 3	pan-head screw M 8 X 45		1	
8	N 012 439 2	lock washer		1	
10	930 424 147 00	buffer plate		1	
11	930 424 165 01	retainer plate		1	
12	900 027 014 01	lock ring B 6		2	
13	900 076 010 02	hexagon nut M 6		2	
14	911 424 181 01	sleeve		1	
14A	911 424 047 00	leather sleeve for gearshift lever		1	
		1AJ	black		
		8LY	mahogany		

Model	Year	MG	SG	Illustration	Restrictions	Update	8:44	17.08.2004	PORSCHE	PET	PORSCHE
911	89	7	01	701-00		179					

Pos	Part Number	Name	Remarks	Qty	Model	Pos	Part Number	Name	Remarks	Qty	Model
	8KY	marine blue				19	N 012 226 5	spring washer B 6		2	
	7LD	burgundy				20	900 067 011 02	pan-head screw M 6 X 20		2	
	5JX	greyish green				21	930 424 031 00	bearing bracket		1	
	1WY	linen				22	914 424 224 00	friction ring		1	
	5MJ	plum red				23	911 424 139 00	ball socket		1	
	3UJ	caramel				(24)	930 424 241 00	head shift rod		1	
	7JJ	venetian blue				25	911 424 020 00	gear shift rod		1	
	2VJ	silver-grey				26	901 424 229 00	conical screw		2	
	1VD	champagne				27	911 424 024 04	shift rod coupling		1	
15	999 702 051 50	grommet		1		28	914 424 214 00	clamp		1	
16	950 424 079 00	gearshift knob		1		29	N 010 335 5	hexagon-head bolt M 8 X 35		1	
	1AJ	black				30	999 523 102 02	lock washer		1	
	8LY	mahogany				31	900 076 025 02	hexagon nut M 8		1	
	8KY	marine blue				32	911 424 292 00	sealing sleeve		1	
	7LD	burgundy				33	911 424 294 00	sealing sleeve		1	
	5JX	greyish green						- - - E N D - - -			
	1WY	linen									
	5MJ	plum red									
	3UJ	caramel									
	7JJ	venetian blue									
	2VJ	silver-grey									
	1VD	champagne									
16A	930 424 189 01	cap with symbol		1							
	01C	black									
17	N 012 228 3	spring washer B 8		3							
18	900 067 057 02	pan-head screw M 8 X 20		3							

Model	Year	MG	SG	Illustration	Restrictions	Update	8:44	17.08.2004	PORSCHE	PET	PORSCHE
911	89	7	01	701-01		179					



Pos	Part Number	Name	Remarks	Qty	Model
		transmission control			CARRERA TURBO
1	950 424 141 00	gearshift bracket		1	
2	950 424 224 03	friction ring		1	
3	950 424 124 01	shift-lever bearing		1	
4	999 701 012 50	o-ring		1	
5	950 424 131 00	bolt		1	
6	N 012 653 1	lock		1	
7	950 424 185 01	threaded bolt		1	
8	999 701 923 40	o-ring		1	
9	950 424 017 05	gearshift lever		1	
9	950 424 017 06	gearshift lever		1	M 243
10	911 424 139 01	ball socket		1	
11	950 424 241 01	head shift rod		1	
12	N 011 010 6	hexagon nut		1	
13	900 151 008 02	washer A 8,4		3	
14	900 075 085 02	hexagon-head bolt M 8 X 20		3	
15	950 424 020 04	gear shift rod		1	
15A	000 043 205 11	insulating hose § 12,25 X 22 700 MM		X	
16	950 424 028 03	bearing body	87	1	
16	950 424 028 03	bearing body	88-	1	
16A	950 424 227 01	rubber washer	87	1	
16A	950 424 227 01	rubber washer	88-	1	
16B	950 424 025 00	bolt		2	
16C	900 120 046 02	tubular rivet		2	
17	900 076 025 02	hexagon nut		2	

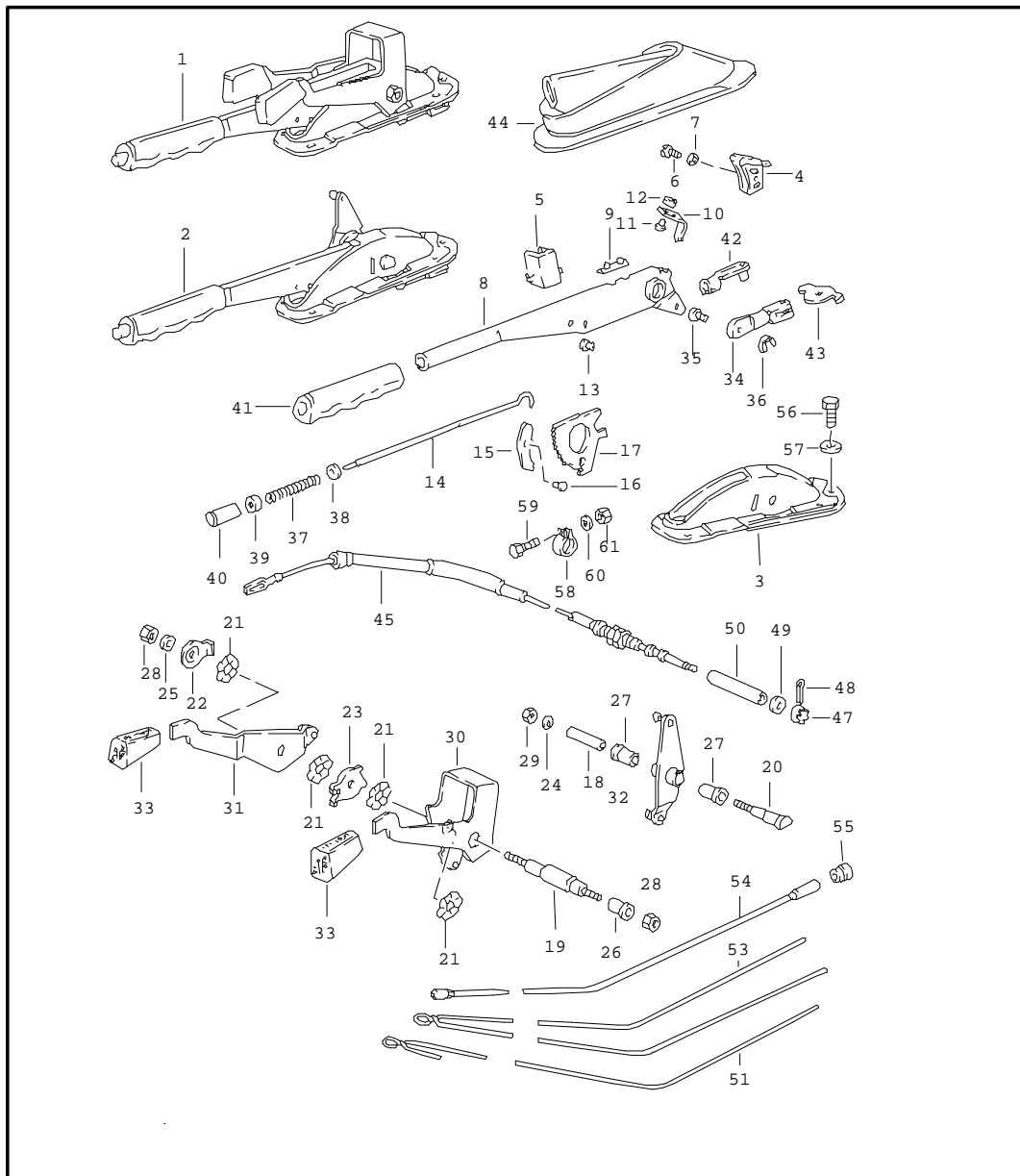
Model	Year	MG	SG	Illustration	Restrictions	Update	8:44	17.08.2004	PORSCHE	PET	PORSCHE
911	89	7	01	701-01		179					

Pos	Part Number	Name	Remarks	Qty	Model	Pos	Part Number	Name	Remarks	Qty	Model
18	N 011 654 2	washer 9,5 X 17 X 1,5		2			8LY	mahogany			
19	999 074 023 02	fit bolt M 8 X 25,5		2			8KY	marine blue			
20	950 424 294 06	sealing sleeve	87	1			7LD	burgundy			
20	950 424 294 06	sealing sleeve	88-	1			5JX	greyish green			
21	950 424 075 00	inner sleeve		1			1WY	linen			
22	950 424 180 00	bracket for leather sleeve		1			5MJ	plum red			
23	950 424 073 00	leather sleeve		1			3UJ	caramel			
	1AJ	black					2VJ	silver-grey			
	8LY	mahogany					7JJ	venetian blue			
	8KY	marine blue					1VD	champagne			
	7LD	burgundy					4MT	velvet red	89-		
	5JX	greyish green					2WT	slate grey	89-		
	1WY	linen					2WH	cashmere beige	89-		
	5MJ	plum red					5VT	silk grey	89-		
	3UJ	caramel				23	911 552 925 00	leather sleeve	89	1	JUBI:89
	2VJ	silver-grey					2XR	pearl grey			
	7JJ	venetian blue					8HF	blue metallic			
	1VD	champagne					5VT	silk grey			
	4MT	velvet red	89-			23	950 424 073 02	leather sleeve		1	M 243
	2WT	slate grey	89-				8HF	blue metallic	88		JUBI
	2WH	cashmere beige	89-			23A	999 702 051 50	grommet for leather sleeve		1	
	5VT	silk grey	89-								
	7VK	linen	89-			24	950 424 079 00	gearshift knob		1	
							1AJ	black			
23	950 424 073 02	leather sleeve		1	M 243		8LY	mahogany			
	1AJ	black					8KY	marine blue			

Model	Year	MG	SG	Illustration	Restrictions	Update	8:44	17.08.2004	PORSCHE	PET	PORSCHE
911	89	7	01	701-01		179					

Pos	Part Number	Name	Remarks	Qty	Model	Pos	Part Number	Name	Remarks	Qty	Model
	7LD	burgundy									
	5JX	greyish green									
	1WY	linen									
	5MJ	plum red									
	3UJ	caramel									
	2VJ	silver-grey									
	7JJ	venetian blue									
	1VD	champagne									
	8HF	blue metallic	88		JUBI						
	4MT	velvet red	89-								
	2WT	slate grey	89-								
	2WH	cashmere beige	89-								
	5VT	silk grey	89-								
25	950 424 120 00	cap with symbol		1							
26	N 014 715 3	pan-head screw M 8 X 45		1							
27	N 011 525 13	washer		1							
		- - - E N D - - -									

Model	Year	MG	SG	Illustration	Restrictions	Update	8:44	17.08.2004	PORSCHE	PET	PORSCHE
911	89	7	01	701-05		179					

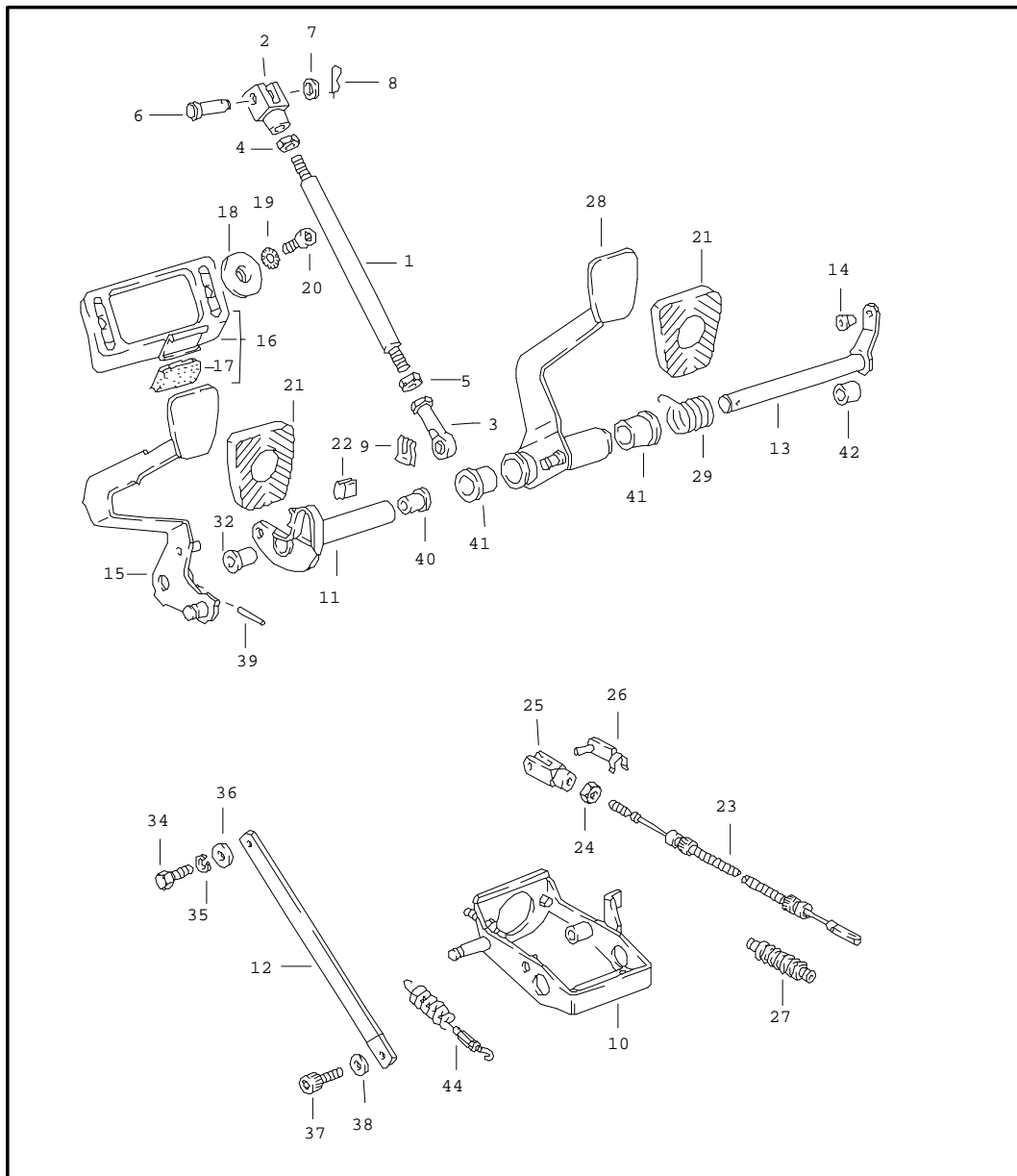


Pos	Part Number	Name	Remarks	Qty	Model
		parking-brake lever actuating lever for heating			
(1)	911 424 051 13	parking-brake lever with bearing bracket		1	M 637
2	911 424 051 18	parking-brake lever with bearing bracket		1	
3	901 424 058 02	bearing bracket		1	
4	901 613 521 20	contact piece		1	
5	911 613 525 00	heating lever contact		1	
6	900 015 025 02	oval-head screw AM 4 X 15		1	
7	900 115 005 02	washer A 4,3		1	
8	911 424 059 00	parking-brake lever		1	
9	901 424 509 01	stop		1	
10	901 613 523 20	contact bow		1	
11	900 055 001 20	rivet		2	
12	900 031 012 10	washer 2,8		2	
13	900 206 003 00	tubular rivet 5 X 0,5 X 10		1	
14	901 424 567 03	push rod		1	
15	901 424 508 00	pawl		1	
16	901 424 511 00	bolt		1	
17	914 424 541 00	locking segment		1	
18	911 424 717 01	tensioning sleeve		1	
(19)	911 424 515 00	bolt		1	M 637
20	911 424 519 02	bolt		1	
21	911 424 737 00	washer		4	
22	911 424 735 00	lamina		1	M 637

Model	Year	MG	SG	Illustration	Restrictions	Update	8:44	17.08.2004	PORSCHE	PET	PORSCHE
911	89	7	01	701-05		179					

Pos	Part Number	Name	Remarks	Qty	Model	Pos	Part Number	Name	Remarks	Qty	Model
23	911 424 735 03	lamina		1		49	N 011 666 7	washer B 6,4		4	
24	N 011 692 3	washer		1		50	901 424 557 01	spacer tube		2	CARRERA
25	999 523 006 00	cup spring		1		51	911 424 701 01	wire pull for heat control box		2	M 637
27	999 924 001 40	bush		2		53	911 424 701 08	wire pull		1	
28	999 084 019 02	lock nut		2		54	911 424 804 00	guide		2	
29	999 084 043 02	hexagon nut M 5		1		54	901 424 704 01	guide		2	M 637
(30)	911 424 711 03	actuating lever	/L	1	M 637	55	999 702 154 40	grommet		2	
(31)	911 424 711 02	actuating lever	/R	1	M 637	56	900 075 087 02	hexagon-head bolt M 8 X 16		3	
32	911 424 075 05	connecting lever		1		57	900 027 015 02	lock ring B 8		3	
33	911 424 792 03	control button		2		58	999 706 009 80	suspension strap		1	
34	901 424 569 01	fork		1		59	900 075 057 02	hexagon-head bolt M 6 X 16		1	
35	999 166 010 02	bolt A 6 X 16 X 3		1		60	N 012 226 5	spring washer B 6		1	
36	999 166 008 02	safety clip		1		61	900 076 010 02	hexagon nut M 6		1	
37	901 424 543 00	compression spring		1				- - - E N D - - -			
38	914 424 258 00	guide sleeve		1							
39	901 424 593 01	rubber ring		1							
40	901 424 523 01	push button		1							
41	901 424 521 01	handle		1							
42	999 166 001 02	bolt 6 X 24		1							
43	901 424 568 00	compensating piece		1							
44	911 424 591 03	sleeve		1	M 637						
45	911 424 551 02	parking-brake cable		2	CARRERA						
45	930 424 051 02	parking-brake cable		2	TURBO						
47	900 079 012 02	castle nut M 6		2							
48	N 012 507 1	cotter pin 1,6 X 15		2							

Model	Year	MG	SG	Illustration	Restrictions	Update	8:44	17.08.2004	PORSCHE	PET	PORSCHE
911	89	7	02	702-00		179					

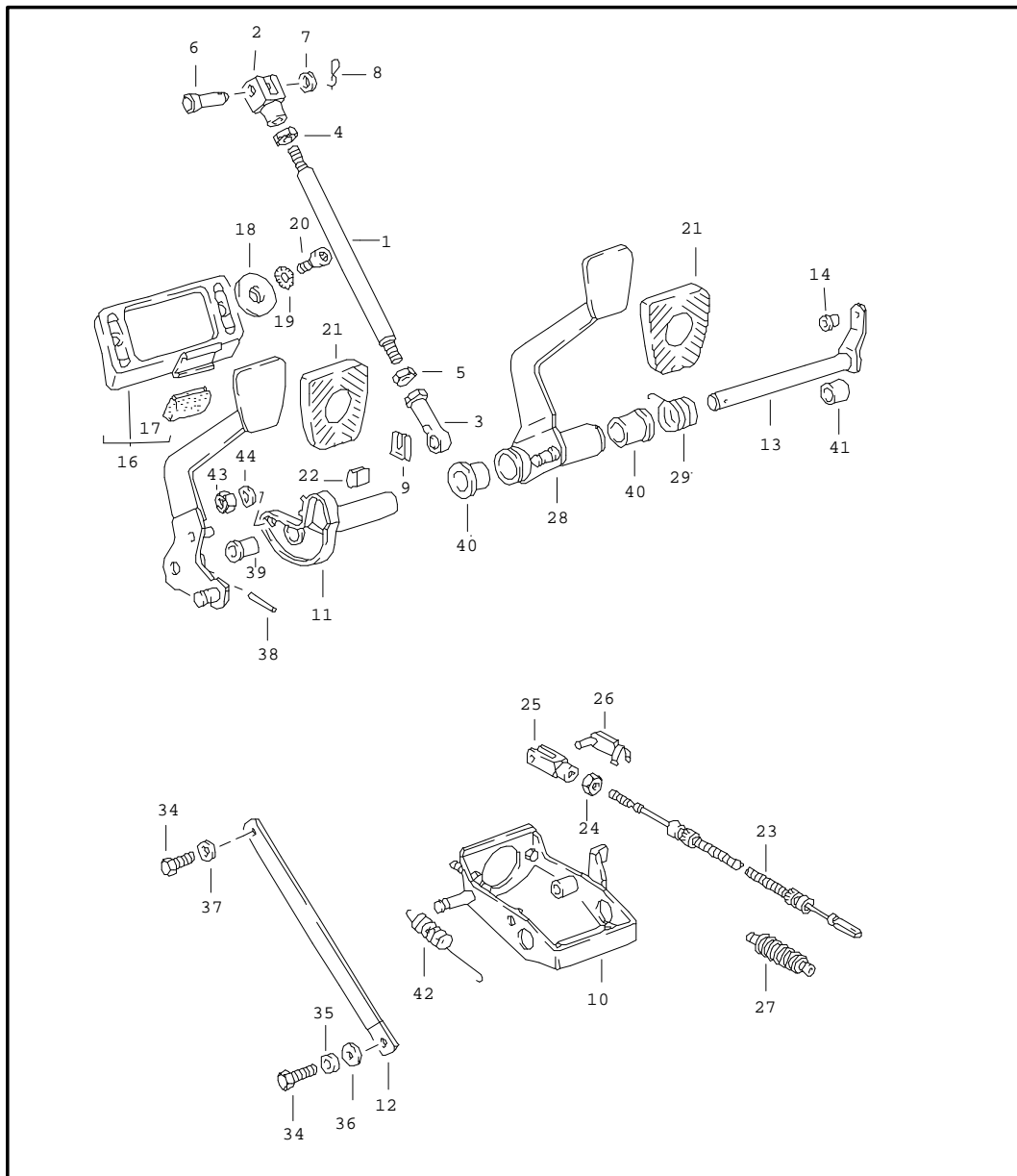


Pos	Part Number	Name	Remarks	Qty	Model
		pedals	/LL -88		TURBO
1	911 423 523 01	push rod		1	
2	999 166 039 02	clevis		1	
3	999 593 116 02	swivel head		1	
4	900 157 002 02	hexagon nut M 10		1	
5	900 157 003 02	hexagon nut M 10		1	
6	900 087 037 02	bolt 10 H 11 X 28 X 23,5		1	
7	900 031 005 02	washer 10,5		1	
8	999 021 001 07	connector		1	
9	999 166 034 02	si-lock		1	
10	911 423 065 04	bearing bracket		1	
11	911 423 062 00	bearing tube		1	
12	911 423 082 00	strut		1	
13	930 423 027 04	clutch pedal shaft		1	
14	901 423 343 00	bush		1	
15	911 423 077 05	clutch pedal		1	
16	901 423 036 00	stop		1	
17	901 423 391 00	rubber stop		1	
18	901 423 368 00	washer		2	
19	N 012 130 2	shake-proof washer		2	
20	900 119 025 02	pan-head screw M 5X15		2	
21	914 423 210 00	rubber pad		2	
22	911 423 391 02	protective strip		1	
23	930 423 401 05	clutch cable		1	

Model	Year	MG	SG	Illustration	Restrictions	Update	8:44	17.08.2004	PORSCHE	PET	PORSCHE
911	89	7	02	702-00		179					

Pos	Part Number	Name	Remarks	Qty	Model	Pos	Part Number	Name	Remarks	Qty	Model
24	900 076 010 02	hexagon nut M 6		2							
25	900 166 002 02	clevis G 6 X 24		1							
26	999 166 001 02	bolt 6 X 24		1							
-	999 512 291 02	hose clamp		1							
27	311 713 269 A	sealing sleeve		1							
28	911 423 053 05	brake pedal		1							
29	911 423 531 03	return spring		1							
34	N 010 253 7	hexagon-head bolt M 10 X 22		1							
35	900 027 016 02	lock ring B 10		1							
36	900 025 008 09	washer A 10,5		1							
37	900 067 063 02	pan-head screw M 10 X 20		1							
38	999 523 103 02	lock washer 10		1							
39	900 309 002 00	roll pin 6 X 28		1							
40	911 423 341 01	bush		2							
41	911 423 542 00	bush		2							
42	911 423 219 03	spacer sleeve		1							
44	930 423 005 00	clutch spring		1							
		- - - E N D - - -									

Model	Year	MG	SG	Illustration	Restrictions	Update	8:44	17.08.2004	PORSCHE	PET	PORSCHE
911	89	7	02	702-05		179					

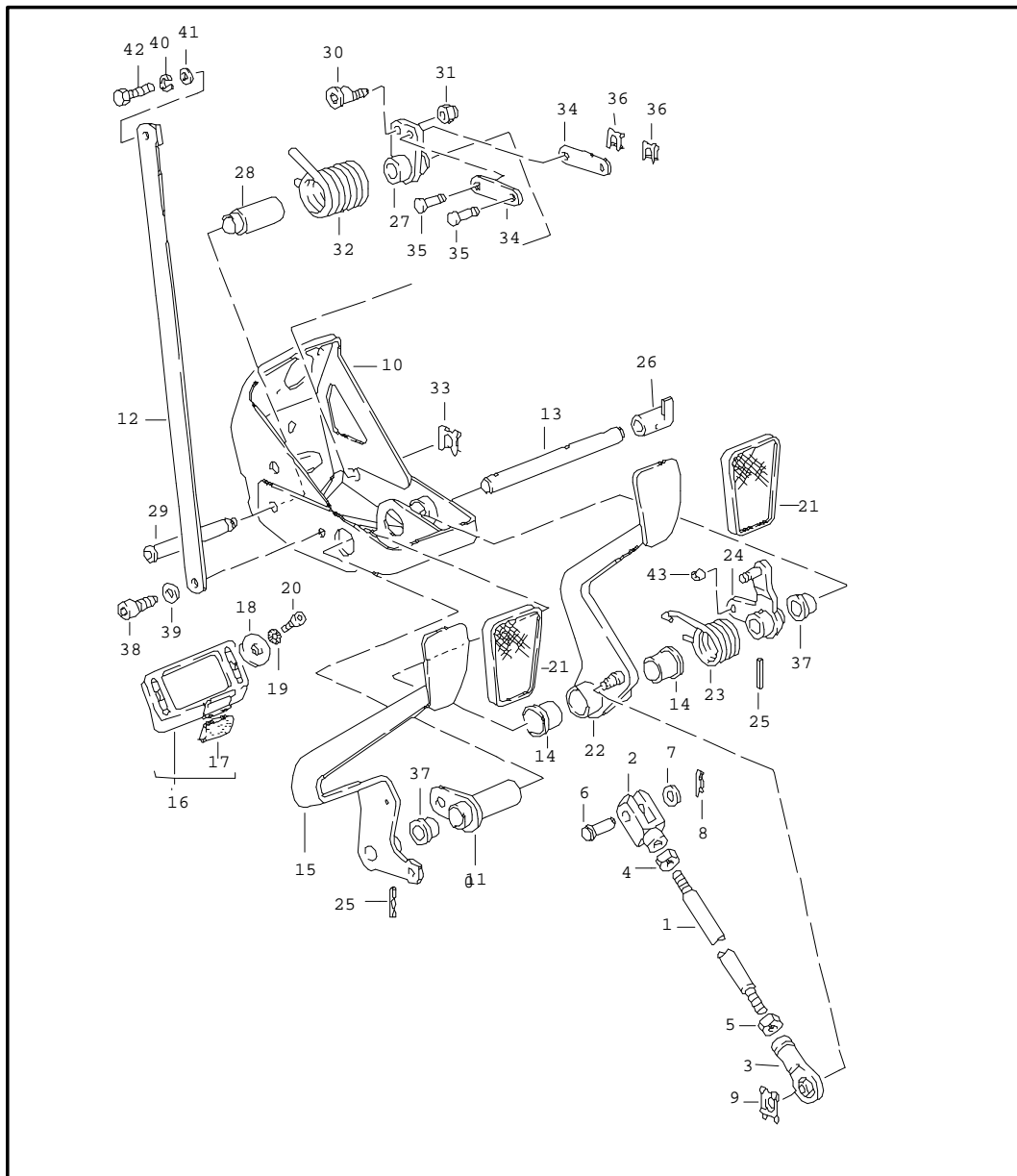


Pos	Part Number	Name	Remarks	Qty	Model
		pedals	/RL -88		TURBO
1	911 423 523 01	push rod		1	
2	999 166 039 02	clevis		1	
3	999 593 116 02	swivel head		1	
4	900 157 002 02	hexagon nut M 10		1	
5	900 157 003 02	hexagon nut M 10 LINKS		1	
6	900 087 037 02	bolt 10 H 11 X 28 X 23,5		1	
7	900 031 005 02	washer 10,5		1	
8	999 021 001 07	connector		1	
9	999 166 034 02	sl-lock		1	
10	911 423 066 01	bearing bracket		1	
11	901 423 034 00	bearing tube		1	
12	911 423 086 00	strut		1	
13	911 423 028 06	clutch pedal shaft		1	
14	901 423 343 00	bush		1	
15	911 423 078 03	clutch pedal		1	
16	901 423 036 00	stop		1	
17	901 423 391 00	rubber stop		1	
18	901 423 368 00	washer		2	
19	N 012 130 2	shake-proof washer		2	
20	900 119 001 02	pan-head screw M 5 X 12		2	
21	914 423 210 00	rubber pad		2	
22	901 423 391 00	rubber stop		1	
23	930 423 401 06	clutch cable		1	

Model	Year	MG	SG	Illustration	Restrictions	Update	8:44	17.08.2004	PORSCHE	PET	PORSCHE
911	89	7	02	702-05		179					

Pos	Part Number	Name	Remarks	Qty	Model	Pos	Part Number	Name	Remarks	Qty	Model
24	900 076 010 02	hexagon nut M 6		2							
25	900 166 002 02	clevis G 6 X 24		1							
26	999 166 001 02	bolt 6 X 24		1							
-	999 512 291 02	hose clamp		1							
27	311 713 269 A	sealing sleeve		1							
28	911 423 054 01	brake pedal		1							
29	911 423 532 01	return spring		1							
34	900 075 072 02	hexagon-head bolt M 10 X 18		2							
35	900 027 016 02	lock ring B 10		1							
36	900 025 008 09	washer 10,5		1							
37	900 028 032 02	spring washer B 10		1							
38	900 309 002 00	roll pin 6 X 28		1							
39	911 423 341 01	bush		1							
40	911 423 542 00	bush		2							
41	911 423 219 03	spacer sleeve		1							
42	911 423 306 01	tension spring		1							
43	N 011 118 11	hexagon nut M 8		1							
44	900 027 015 02	lock ring B 8		1							
		- - - E N D - - -									

Model	Year	MG	SG	Illustration	Restrictions	Update	8:45	17.08.2004	PORSCHE	PET	PORSCHE
911	89	7	02	702-06		179					

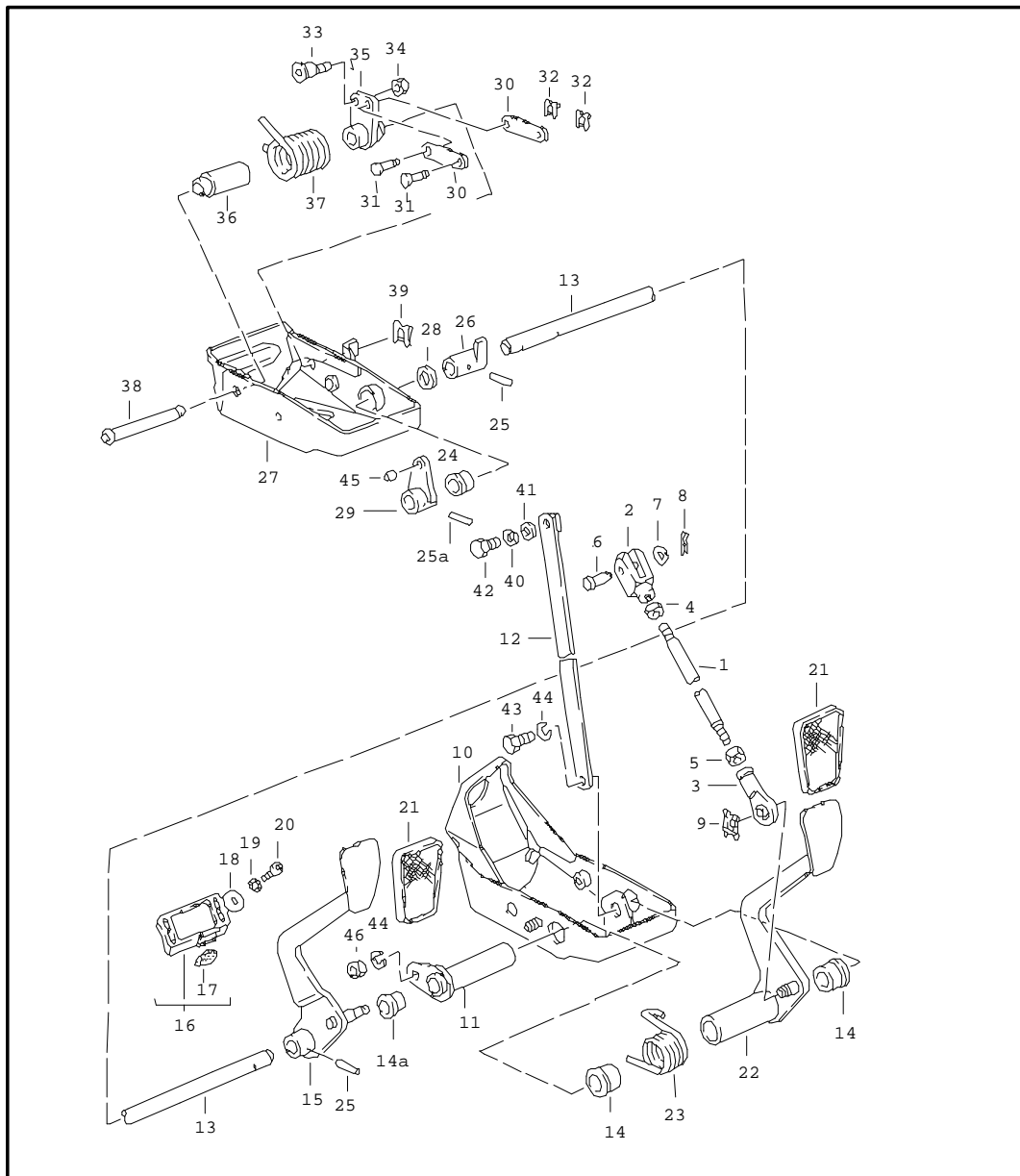


Pos	Part Number	Name	Remarks	Qty	Model
		pedals	/LL /LL 89-		CARRERA TURBO
1	911 423 523 01	push rod		1	
2	999 166 039 02	clevis		1	
3	999 593 116 02	swivel head		1	
4	900 157 002 02	hexagon nut M 10		1	
5	900 157 003 02	hexagon nut M 10 LINKS		1	
6	900 087 037 02	bolt 10 H 11 X 28 X 23,5		1	
7	900 031 005 02	washer 10,5		1	
8	999 021 001 07	connector		1	
9	999 166 034 02	sl-lock		1	
10	911 423 065 08	bearing bracket		1	
11	911 423 062 03	bearing tube		1	
12	911 423 082 00	strut		1	
13	911 423 216 06	clutch pedal shaft		1	
14	999 924 014 40	bush		2	
15	911 423 077 06	clutch pedal		1	
16	901 423 036 00	stop		1	
17	901 423 391 00	rubber stop		1	
18	901 423 368 00	washer		2	
19	N 012 130 2	shake-proof washer		2	
20	900 119 025 02	pan-head screw M 5 X 15		2	
21	914 423 210 00	rubber pad		2	
22	911 423 053 07	brake pedal		1	
23	911 423 531 03	return spring		1	

Model	Year	MG	SG	Illustration	Restrictions	Update	8:45	17.08.2004	PORSCHE	PET	PORSCHE
911	89	7	02	702-06		179					

Pos	Part Number	Name	Remarks	Qty	Model	Pos	Part Number	Name	Remarks	Qty	Model
24	911 423 519 01	lever		1							
25	N 023 351 1	roll pin		3							
26	911 423 181 00	shift finger for cruise control		1							
27	911 423 453 02	lever		1							
28	911 423 543 01	bearing		1							
29	911 423 565 00	shaft		1							
30	911 423 561 00	eccentric		1							
31	900 910 022 09	lock nut		1							
32	911 423 551 02	return spring		1							
33	N 012 653 3	lock washer		1							
34	911 423 567 00	intermediate piece		2							
35	959 423 569 01	bolt		2							
36	N 012 645 2	lock		2							
37	964 423 611 00	bush		2							
38	900 067 063 02	pan-head screw M 10 X 20		1							
39	999 523 103 02	lock washer		1							
40	900 027 016 02	lock ring B 10		1							
41	900 025 008 09	washer A 10,5		1							
42	N 010 253 7	hexagon-head bolt M 10 X 22		1							
43	999 924 015 00	bush		1							
		- - - E N D - - -									

Model	Year	MG	SG	Illustration	Restrictions	Update	8:45	17.08.2004	PORSCHE	PET	PORSCHE
911	89	7	02	702-07		179					

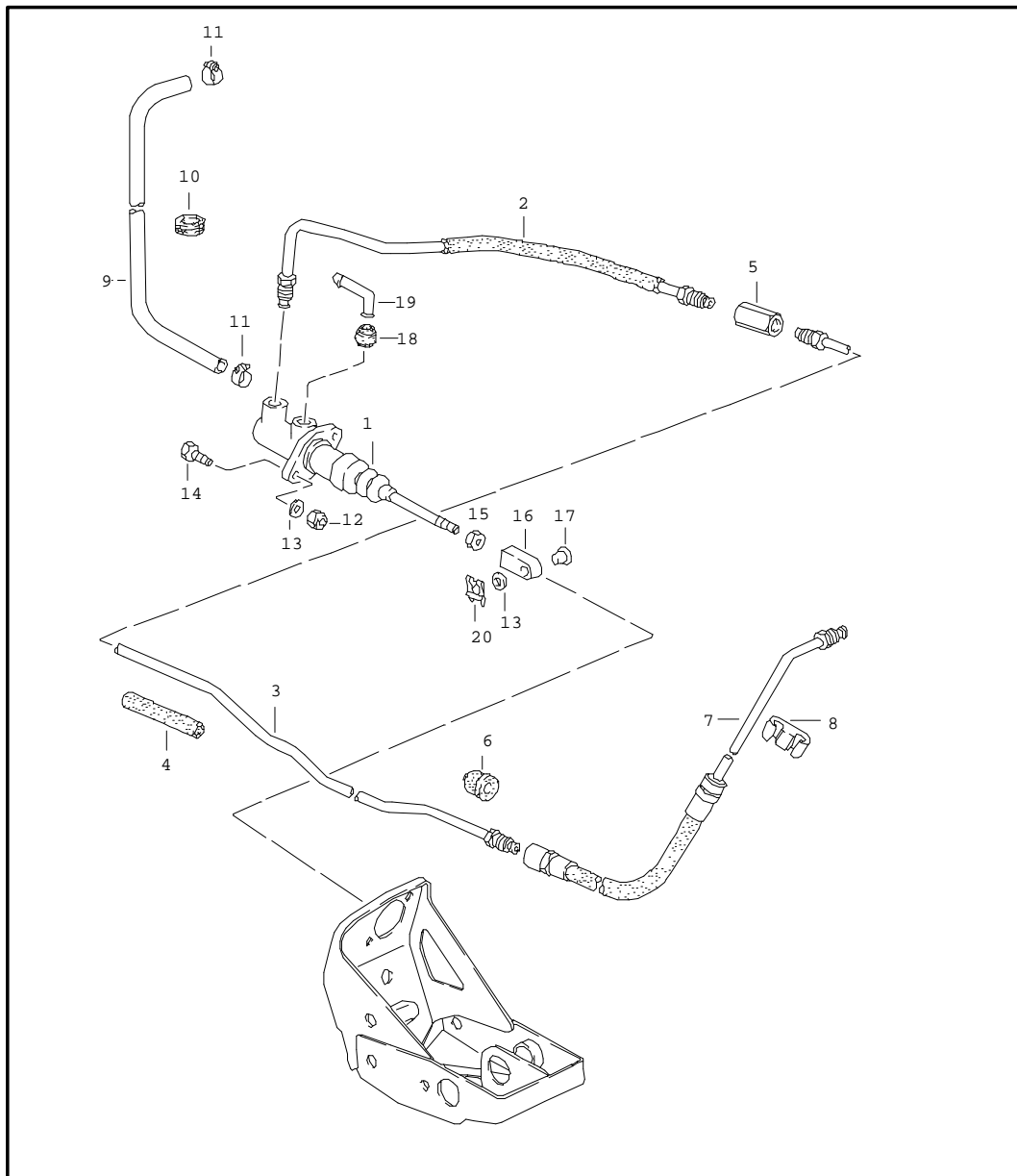


Pos	Part Number	Name	Remarks	Qty	Model
		pedals	/RL /RL 89-		CARRERA TURBO
1	911 423 523 01	push rod		1	
2	999 166 039 02	clevis		1	
3	999 593 116 02	swivel head		1	
4	900 157 002 02	hexagon nut M 10		1	
5	900 157 003 02	hexagon nut M 10		1	
6	900 087 037 02	bolt 10 H11 X 28 X 23,5		1	
7	900 031 005 02	washer 10,5		1	
8	999 021 001 07	connector		1	
9	999 166 034 02	sl-lock		1	
10	911 423 066 03	bearing bracket		1	
11	911 423 064 00	bearing tube		1	
12	911 423 086 00	strut		1	
13	911 423 192 04	clutch pedal shaft		1	
14	911 423 542 00	bush		2	
14A	911 423 341 01	bush		1	
15	911 423 078 06	clutch pedal		1	
16	901 423 036 00	stop		1	
17	901 423 391 00	rubber stop		1	
18	901 423 368 00	washer		2	
19	N 012 130 2	shake-proof washer		2	
20	900 119 001 02	pan-head screw M 5 X 15		2	
21	914 423 210 00	rubber pad		2	
22	911 423 054 01	brake pedal		1	

Model	Year	MG	SG	Illustration	Restrictions	Update	8:45	17.08.2004	PORSCHE	PET	PORSCHE
911	89	7	02	702-07		179					

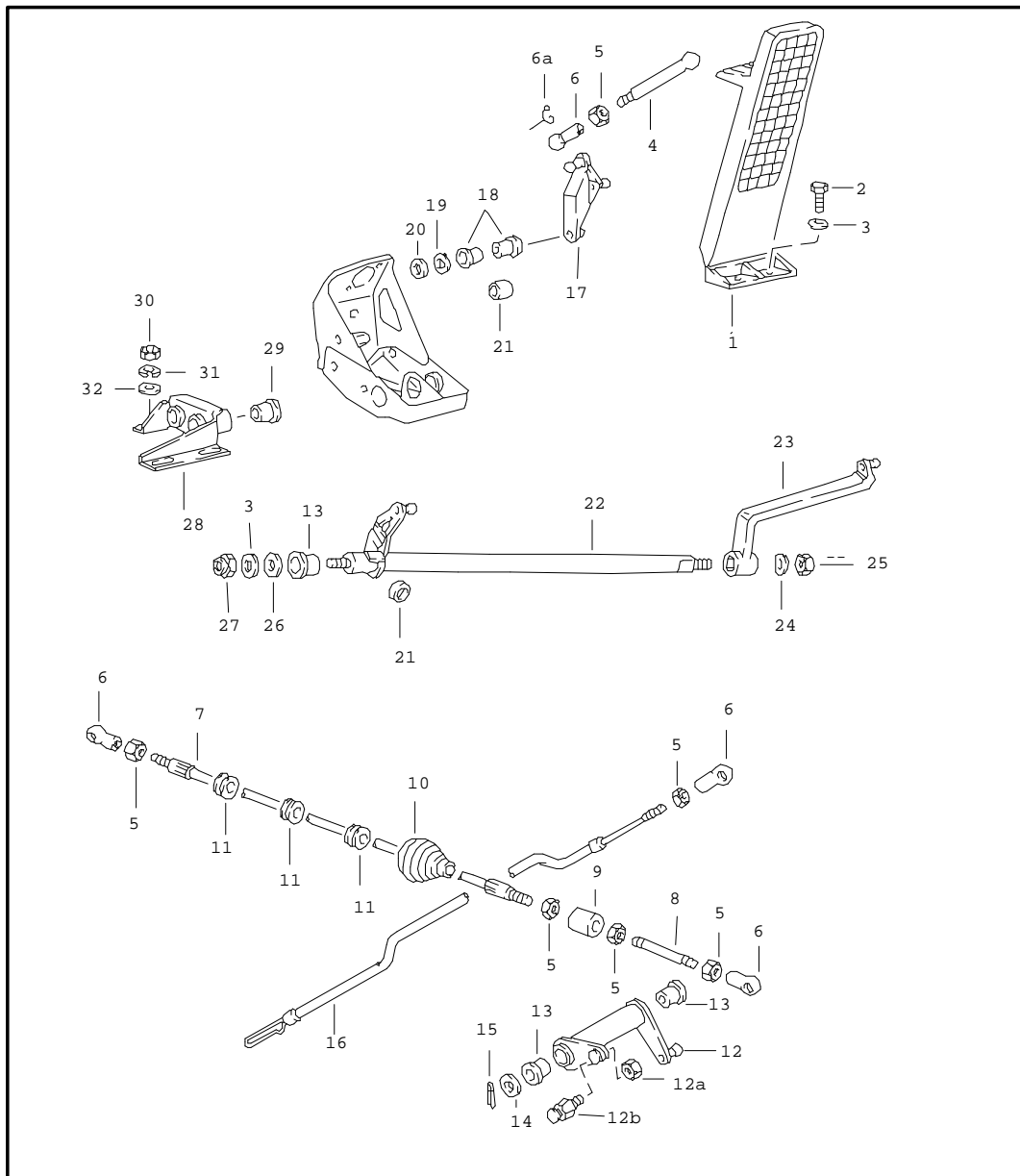
Pos	Part Number	Name	Remarks	Qty	Model	Pos	Part Number	Name	Remarks	Qty	Model
23	911 423 532 01	return spring		1		46	900 076 025 02	hexagon nut M 8		1	
24	964 423 611 00	bush		1							
25	N 023 351 1	roll pin \$ 6 MM		2							
25A	N 013 317 1	roll pin \$ 5 MM		1							
26	911 423 181 00	shift finger		1							
27	911 423 068 02	bearing bracket		1							
28	N 011 565 3	washer		1							
29	911 423 520 02	lever		1							
30	911 423 567 00	intermediate piece		2							
31	959 423 569 01	bolt		2							
32	N 012 645 2	lock		2							
33	911 423 561 00	eccentric		1							
34	900 910 022 09	lock nut		1							
35	911 423 453 02	lever		1							
36	911 423 543 01	bearing		1							
37	911 423 551 02	return spring		1							
38	911 423 565 00	shaft		1							
39	N 012 653 3	lock washer		1							
40	900 027 016 02	lock ring		1							
41	900 025 008 09	washer A 10,5		1							
42	N 010 253 7	hexagon-head bolt M 10 X 22		1							
43	900 067 063 02	pan-head screw M 10 X 20		1							
44	999 523 103 02	lock washer A 10,5		2							
45	999 924 015 00	bush 6 X 8 X 6		2							

Model	Year	MG	SG	Illustration	Restrictions	Update	8:45	17.08.2004	PORSCHE	PET	PORSCHE
911	89	7	02	702-08		179					



Pos	Part Number	Name	Remarks	Qty	Model
		clutch control clutch master cylinder clutch pipeline	89-		CARRERA TURBO
1	911 423 171 03	clutch master cylinder		1	
2	911 423 197 00	clutch pipeline	/LL	1	
(2)	911 423 198 00	clutch pipeline	/RL	1	
3	911 423 199 02	clutch pipeline		1	
5	477 209 161	connecting piece		1	
6	911 356 202 04	rubber sleeve		1	
7	911 423 177 03	clutch hose		1	
(7)	911 423 177 05	clutch hose	/RL 89-	1	CARRERA
7	930 423 175 00	clutch hose		1	TURBO
8	999 591 740 40	cable holder		1	
-	999 181 021 50	hose 7,5 X 12,5 650 MM		X	
10	999 702 068 50	rubber sleeve		1	
11	999 512 160 02	hose clamp		2	
12	900 910 022 09	lock nut M 8		2	
13	900 031 001 02	washer 8,4 X 15		3	
14	900 075 079 02	hexagon-head bolt M 8 X 22		2	
15	900 076 025 02	hexagon nut		1	
16	911 423 307 00	intermediate piece		1	
17	999 924 001 40	bush		1	
18	911 423 925 00	rubber sleeve		1	
19	911 423 923 00	adapter		1	
20	N 900 470 01	lock washer		1	
- - - E N D - - -					

Model	Year	MG	SG	Illustration	Restrictions	Update	8:45	17.08.2004	PORSCHE	PET	PORSCHE
911	89	7	02	702-10		179					



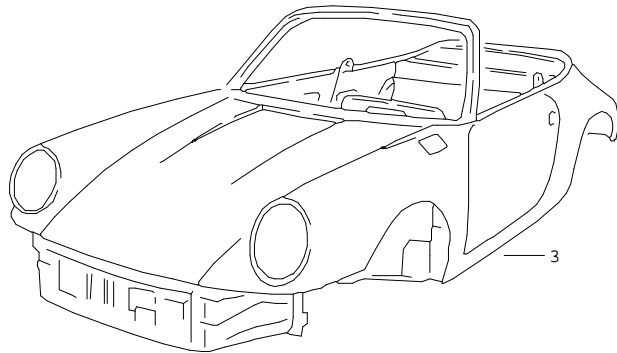
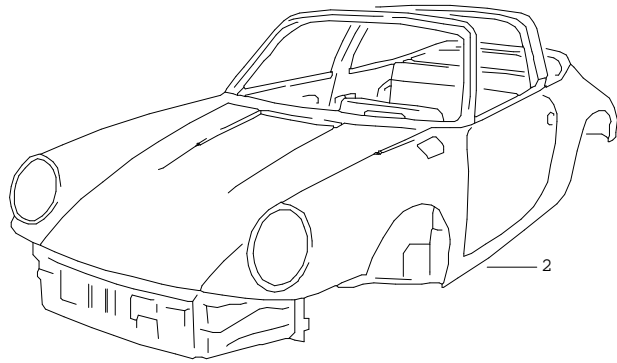
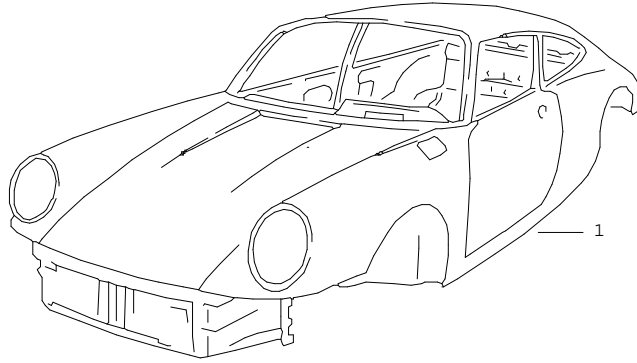
Pos	Part Number	Name	Remarks	Qty	Model
		pedals for accelerator control			
1	911 423 111 02	accelerator pedal		1	
2	900 075 260 02	hexagon-head bolt M 6 X 16		2	
3	N 011 666 7	washer B 6,4		2	
4	914 423 227 00	push rod		1	
5	N 011 005 14	hexagon nut M 5		6	
6	911 423 147 00	ball socket		4	
6A	900 169 014 02	securing clip		1	
7	PCG 423 024 00	throttle linkage		1	
8	911 423 269 00	extension rod		1	
9	911 423 081 02	housing		1	
(10)	911 423 593 01	sealing sleeve		1	
11	901 423 227 00	bush		3	
12	911 423 017 02	reverse lever order also: 911.423.227.00 N .022.148.1		1	CARRERA
(12)	930 423 017 01	reverse lever	-88	1	TURBO
(12)	930 423 017 02	reverse lever	89-	1	TURBO
12A	900 910 010 09	lock nut		1	
12B	911 423 227 00	screw bolt		1	
13	914 423 211 00	bush		2	
14	900 025 008 09	washer 10,5		1	
15	N 012 530 1	cotter pin 3,2 X 15		1	
16	911 423 015 02	throttle linkage		1	CARRERA

Model	Year	MG	SG	Illustration	Restrictions	Update	8:45	17.08.2004	PORSCHE	PET	PORSCHE
911	89	7	02	702-10		179					

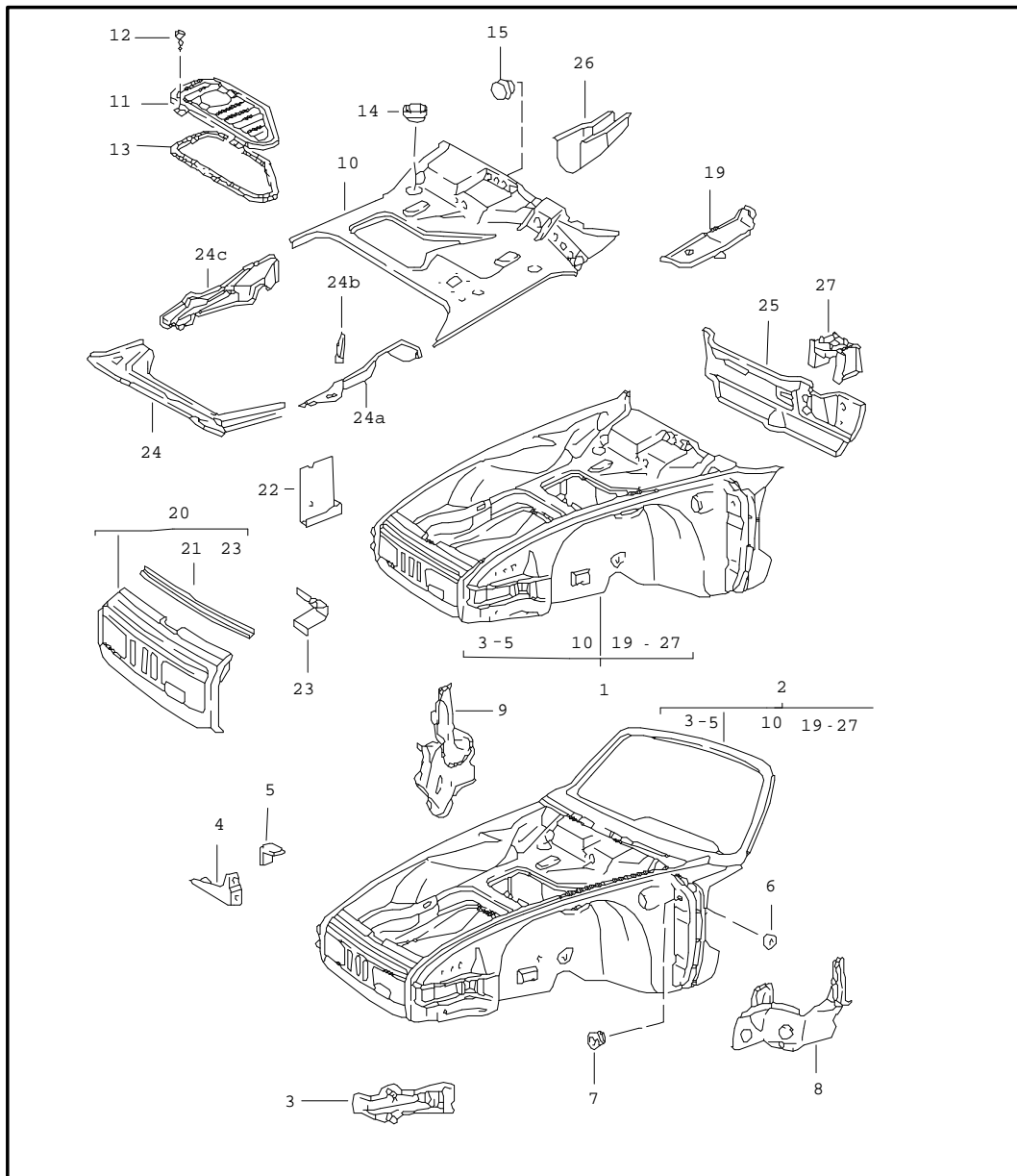
Pos	Part Number	Name	Remarks	Qty	Model	Pos	Part Number	Name	Remarks	Qty	Model
16	930 423 019 02	throttle linkage		1	TURBO						
17	911 423 250 00	reverse lever		1	CARRERA						
17	901 423 250 02	reverse lever		1	TURBO						
18	901 423 253 00	bearing sleeve		2							
19	N 011 556 2	washer 8,4 X 15		1							
20	N 900 470 01	lock washer		1							
21	901 423 193 00	rubber stop		1							
(22)	911 423 254 00	shaft	/RL	1							
23	901 423 022 00	lever	/RL	1							
24	N 011 524 7	washer B 6	/RL	1							
25	900 076 010 02	hexagon nut M 6	/RL	1							
26	911 423 225 00	washer		1							
27	900 910 012 02	lock nut M 6		1							
(28)	911 423 068 02	bearing bracket	/RL	1	CARRERA						
28	901 423 013 00	bearing bracket	/RL	1	TURBO						
29	911 423 341 01	bush	/RL /RL	1 1	CARRERA TURBO						
30	900 076 025 02	hexagon nut M 8	/RL	5							
31	900 027 015 02	lock ring B 8	/RL	5							
32	900 025 007 02	washer 8,4	/RL	6							
		- - - E N D - - -									

Model	Year	MG	SG	Illustration	Restrictions	Update	8:45	17.08.2004	PORSCHE	PET	PORSCHE
911	89	8	01	801-00		179					

Pos	Part Number	Name	Remarks	Qty	Model
		body in white prime coated sealed sprayed with filler with underbody protection bodyshells can only be delivered of the current model year			
1	911 500 921 31	body in white	/LL	1	CARRERA/ COUPE
(1)	911 500 921 32	body in white	/RL	1	CARRERA/ COUPE
(1)	930 500 921 10	body in white	/LL	1	TURBO COUPE
(1)	930 500 921 11	body in white	/RL	1	TURBO COUPE
2	911 500 921 73	body in white	/LL	1	TARGA
(2)	911 500 921 74	body in white	/RL	1	TARGA
(2)	930 500 921 73	body in white	/LL	1	TURBO TARGA
(2)	930 500 921 74	body in white	/RL	1	TURBO TARGA
3	911 500 921 75	body in white	/LL	1	CABRIO
(3)	911 500 921 76	body in white	/RL	1	CABRIO
(3)	911 500 921 77	body in white	/LL	1	SPEEDSTER
(3)	911 500 921 78	body in white	/RL	1	SPEEDSTER
(3)	930 500 921 75	body in white	/LL	1	TURBO CABRIO
(3)	930 500 921 76	body in white	/RL	1	TURBO CABRIO
		- - - E N D - - -			



Model	Year	MG	SG	Illustration	Restrictions	Update	8:45	17.08.2004	PORSCHE	PET	PORSCHE
911	89	8	01	801-05		179					



Pos	Part Number	Name	Remarks	Qty	Model
		frame front			
(1)	911 500 913 00	body front section	/LL	1	COUPE
(1)	911 500 914 00	body front section	/RL	1	COUPE
(1)	930 500 913 00	body front section	/LL	1	TURBO COUPE
(1)	930 500 914 00	body front section	/RL	1	TURBO COUPE
(1)	911 500 913 62	body front section	/LL	1	SPEEDSTER
(1)	911 500 914 62	body front section	/RL	1	SPEEDSTER
(2)	911 500 913 60	body front section	/LL	1	TARGA/ CABRIO
		F >>91KS1 40341			TARGA
		F >>91KS1 50414			CABRIO
		F >>93KS0 10067			TARGA
		F >>93KS0 20083			CABRIO
(2)	911 500 913 61	body front section	/LL	1	TARGA/ CABRIO
		F 91KS1 40342>>			TARGA
		F 91KS1 50415>>			CABRIO
		F 93KS0 10068>>			TARGA
		F 93KS0 20084>>			CABRIO
(2)	911 500 914 60	body front section	/RL	1	TARGA/ CABRIO
		F >>91KS1 40341			TARGA
		F >>91KS1 50414			CABRIO
		F >>93KS0 10067			TARGA
		F >>93KS0 20083			CABRIO
(2)	911 500 914 61	body front section	/RL	1	TARGA/ CABRIO
		F 91KS1 40342>>			TARGA
		F 91KS1 50415>>			CABRIO
		F 93KS0 10068>>			TARGA
		F 93KS0 20084>>			CABRIO
(2)	930 500 913 40	body front section	/LL	1	TURBO TARGA/CABRIO
		F >>91KS1 40341			TARGA
		F >>91KS1 50414			CABRIO
		F >>93KS0 10067			TARGA
		F >>93KS0 20083			CABRIO

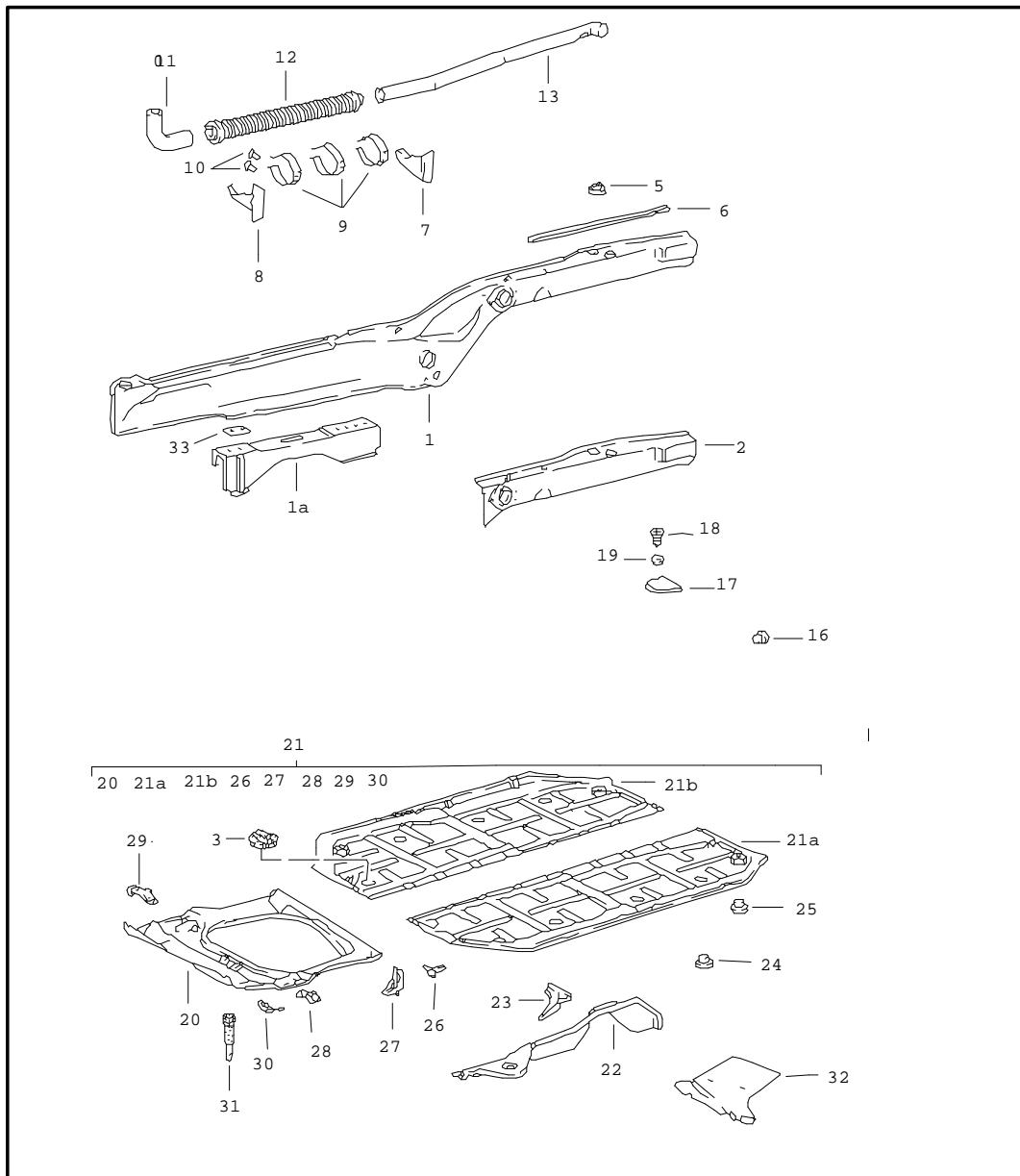
Model	Year	MG	SG	Illustration	Restrictions	Update	8:45	17.08.2004	PORSCHE	PET	PORSCHE
911	89	8	01	801-05		179					

Pos	Part Number	Name	Remarks	Qty	Model	Pos	Part Number	Name	Remarks	Qty	Model
(2)	930 500 913 41	body front section F 91KS1 40342>> F 91KS1 50415>> F 93KS0 10068>> F 93KS0 20084>>	/LL	1	TURBO TARGA/CABRIO TARGA CABRIO	(9)	911 501 528 40	corner reinforcement with post bracket	/RL/R	1	TARGA/ CABRIO
(2)	930 500 914 40	body front section F >>91KS1 40341 F >>91KS1 50414 F >>93KS0 10067 F >>93KS0 20083	/RL	1	TURBO TARGA/CABRIO TARGA CABRIO	10	911 501 035 22	boot floor plate	/LL -88	1	
(2)	930 500 914 41	body front section F 91KS1 40342>> F 91KS1 50415>> F 93KS0 10068>> F 93KS0 20084>>	/RL	1	TURBO TARGA/CABRIO TARGA CABRIO	(10)	911 501 035 24	boot floor plate	/LL 89-	1	
(3)	911 501 149 02	support for impact absorber	/L	1	TURBO TARGA/CABRIO TARGA CABRIO	(10)	911 501 036 13	boot floor plate	/RL -88	1	
(3)	911 501 150 02	support for impact absorber	/R	1	TURBO TARGA/CABRIO TARGA CABRIO	(10)	911 501 036 14	boot floor plate	/RL 89-	1	
4	911 501 490 01	bracket lower for oil cooler		1	TURBO TARGA/CABRIO TARGA CABRIO	11	911 504 043 01	cover	/LL	1	
5	911 503 492 01	bracket upper for oil cooler		1	TURBO TARGA/CABRIO TARGA CABRIO	(11)	911 504 044 00	cover	/RL	1	
6	111 971 911 A	rubber sleeve 15 \$		2	TURBO TARGA/CABRIO TARGA CABRIO	12	900 144 034 07	tapping screw B 4,2 X 16		4	
8	911 501 513 40	corner reinforcement with post bracket	/LL/L	1	TURBO TARGA/CABRIO TARGA CABRIO	13	911 504 491 02	gasket	/LL	1	
(8)	911 501 527 40	corner reinforcement	/RL/L	1	TURBO TARGA/CABRIO TARGA CABRIO	(13)	901 504 491 32	gasket	/RL	1	
9	911 501 514 40	corner reinforcement with post bracket	/LL/R	1	TURBO TARGA/CABRIO TARGA CABRIO	14	999 703 103 40	plug 23,5 \$		1	
						15	911 504 405 00	covering		1	
						(19)	911 501 815 00	connecting piece	/L	1	COUPE
						(19)	901 501 412 21	connecting piece	/R 87	1	COUPE
						(19)	911 501 412 00	connecting piece	/R 88-	1	COUPE
						(19)	911 501 815 40	connecting piece	/L	1	TARGA/ CABRIO
						(19)	911 501 412 40	connecting piece	/R	1	CABRIO/ CARRERA
						20	911 501 099 06	cross panel		1	CARRERA
						(20)	911 501 099 07	cross panel		1	TURBO/ CARRERA M 559
						21	911 501 395 00	sealing rail		1	
						22	911 501 397 00	support for jack	/R	1	
						23	911 501 387 01	support for jack		1	

Model	Year	MG	SG	Illustration	Restrictions	Update	8:45	17.08.2004	PORSCHE	PET	PORSCHE
911	89	8	01	801-05		179					

Pos	Part Number	Name	Remarks	Qty	Model	Pos	Part Number	Name	Remarks	Qty	Model
24	911 501 117 02	fuel tank support holder centre		1							
24A	911 501 111 02	fuel tank support holder	/L	1							
24B	911 501 143 00	retaining strip for battery		1							
24C	911 501 114 04	fuel tank support holder	/LL/R	1							
24C	911 501 114 05	fuel tank support holder	/RL/R	1							
25	901 501 041 35	cross panel	/LL	1							
(25)	911 501 132 00	cross panel	/RL	1	CARRERA						
26	901 501 354 32	cup	/LL	1							
(26)	911 501 356 00	cup	/RL	1							
27	911 501 144 00	reinforcement	/LL	1							
(27)	911 501 142 00	reinforcement for brake booster	/RL	1							
-	927 631 224 01	grommet		1	TURBO						
		- - - E N D - - -									

Model	Year	MG	SG	Illustration	Restrictions	Update	8:46	17.08.2004	PORSCHE	PET	PORSCHE
911	89	8	01	801-10		179					

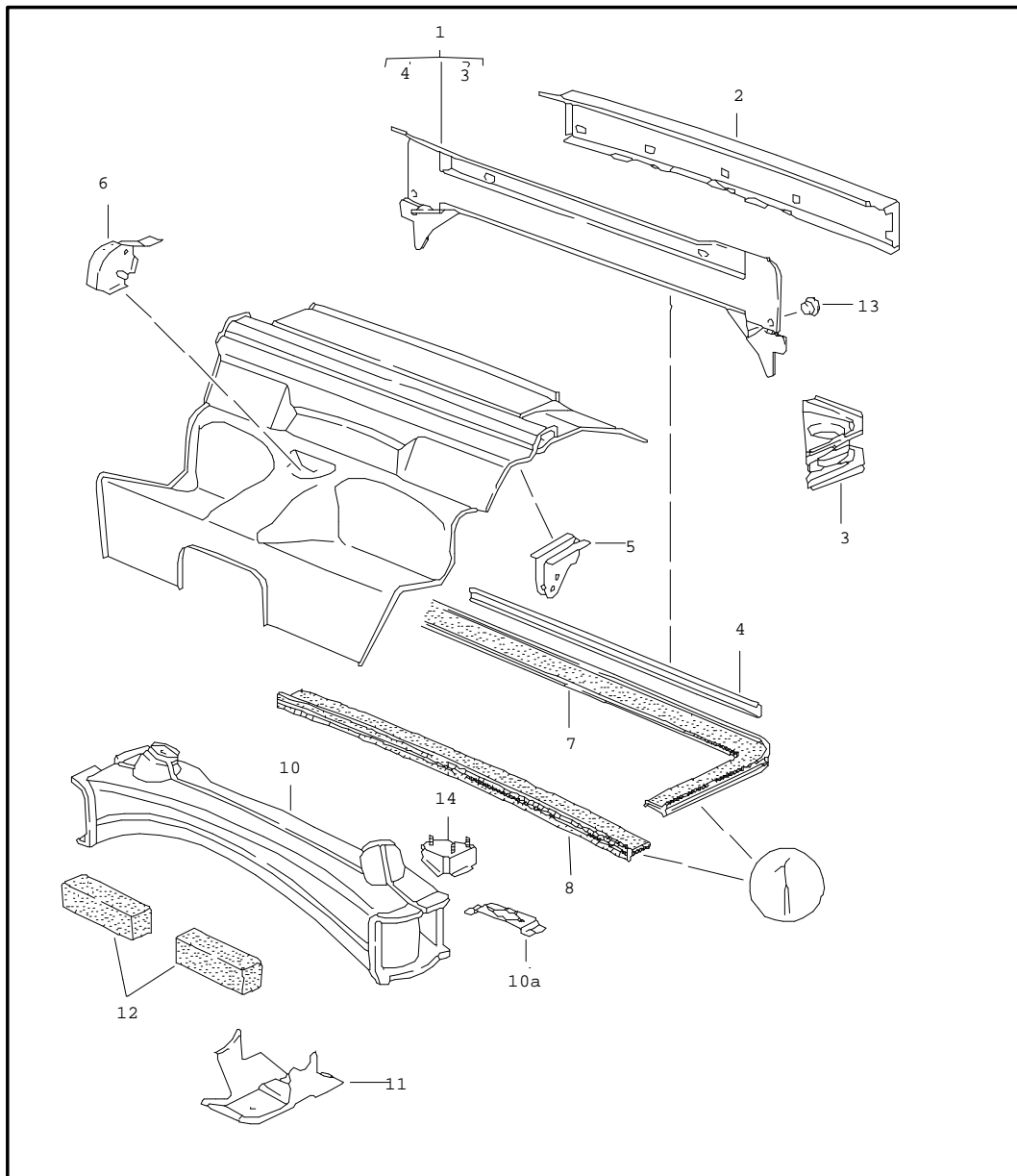


Pos	Part Number	Name	Remarks	Qty	Model
		frame centre			
(1)	901 501 961 43	side member inner	/L	1	
1	901 501 962 43	side member inner	/R	1	
-	927 631 224 01	grommet		2	
(1A)	911 501 268 02	seat rail support outer	/R	1	
(1A)	911 501 264 02	seat rail support inner	/R	1	
(1A)	911 501 189 00	seat rail support outer	/L	1	
1A	911 501 263 02	seat rail support inner	/L	1	
2	911 501 962 04	side member inner sub-part	/R	1	
(2)	911 501 961 05	side member inner sub-part	/L	1	
3	111 801 177	rubber valve		8	
5	901 501 117 20	plate		2	
6	901 501 796 20	rail	/R	1	CARRERA
(6)	930 501 792 00	rail	/R	1	TURBO
(6)	901 501 795 20	rail	/L	1	CARRERA
(6)	930 501 791 00	rail	/L	1	TURBO
7	901 501 263 20	bracket		2	
8	901 501 264 20	bracket		2	
9	901 501 128 20	retainer spring		6	
10	N 013 411 1	rivet 3 X 6		12	
(11)	911 572 211 01	hot air duct front		2	

Model	Year	MG	SG	Illustration	Restrictions	Update	8:46	17.08.2004	PORSCHE	PET	PORSCHE
911	89	8	01	801-10		179					

Pos	Part Number	Name	Remarks	Qty	Model	Pos	Part Number	Name	Remarks	Qty	Model
(12)	911 572 025 02	muffler		2		25	999 703 125 40	plug 8,9 \$		4	
(13)	911 572 222 02	hot air duct rear	/R	1		26	901 501 063 23	bracket		2	
(13)	911 572 221 02	hot air duct rear	/L	1		27	901 501 359 01	axle mounting	/V/L	1	CARRERA
16	914 552 233 10	filler piece		1		(27)	930 501 359 01	axle mounting	/V/L	1	TURBO
	01C	black 10 \$				(27)	901 501 360 01	axle mounting	/V/R	1	CARRERA
17	901 504 731 30	cover		1		(27)	930 501 360 01	axle mounting	/V/R	1	TURBO
18	900 143 019 07	oval-head sheetmetal screw B 4,8 X 22		4		28	901 501 409 23	reinforcement plate	/L	1	
19	900 031 006 07	washer 5,3		4		(28)	901 501 410 23	reinforcement plate	/R	1	
-	999 591 329 02	speed nut B 4,8		4		29	901 501 427 20	reinforcement axle mounting		2	
20	911 501 955 00	tank compartment floor		1		30	901 501 407 22	corner reinforcement	/L	1	
21	911 501 051 21	floorpan	/LL	1	CARRERA	(30)	901 501 408 22	corner reinforcement	/R	1	
21	911 501 052 24	floorpan	/RL	1	CARRERA	31	911 025 612 00	grommet		2	
21	930 501 051 12	floorpan	/LL	1	TURBO	32	911 501 285 00	carrier plate for battery		1	
21	930 501 052 14	floorpan	/RL	1	TURBO	33	911 501 642 01	compensating plate		X	
21A	911 501 935 00	floorpan	/LL/L	1				- - - E N D - - -			
21B	911 501 936 00	floorpan	/LL/R	1							
22	911 501 111 02	fuel tank support holder	/L	1							
-	911 501 143 00	retaining strip		1							
(22)	911 501 114 04	fuel tank support holder	/LL/R	1							
(22)	911 501 114 05	fuel tank support holder	/RL/R	1							
23	901 501 457 20	bracket	/L	1							
(23)	901 501 458 20	bracket	/R	1							
24	999 703 121 40	plug 8 \$		20							

Model	Year	MG	SG	Illustration	Restrictions	Update	8:46	17.08.2004	PORSCHE	PET	PORSCHE
911	89	8	01	801-15		179					

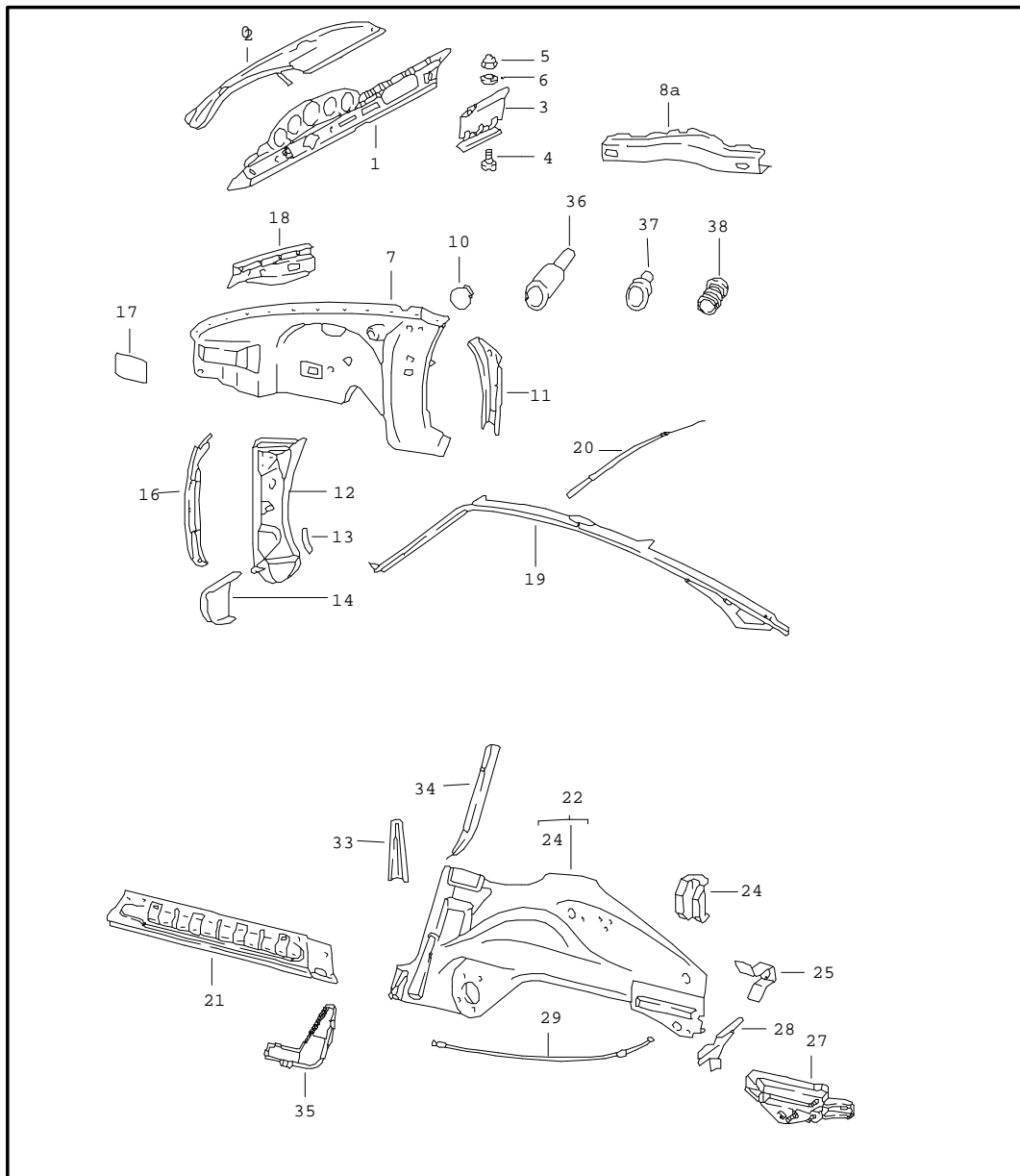


Pos	Part Number	Name	Remarks	Qty	Model
		frame rear			
1	911 507 080 01	cross member		1	CARRERA
(1)	930 501 080 01	cross member		1	TURBO
2	911 507 095 00	end plate		1	CARRERA
2	930 501 095 00	end plate		1	TURBO
3	901 501 083 21	engine mounting		2	
4	901 501 797 20	rail it is necessary to rework		1	TURBO
5	911 501 729 01	pneumatic spring mount for gas-filled strut		2	
(6)	911 501 041 01	bearing	-88	1	COUPE/TARGA
(6)	911 501 041 02	bearing	89-	1	COUPE/TARGA
(6)	911 501 041 60	bearing	-88	1	CABRIO
(6)	911 501 041 61	bearing for back seat backrest	89-	1	CABRIO
7	911 504 111 02	engine compartment seal		1	CARRERA
(7)	930 504 170 01	engine compartment seal		1	TURBO
8	911 504 113 02	engine compartment seal		1	CARRERA
(8)	911 504 115 02	engine compartment seal		1	TURBO
10	911 501 075 07	cross member		1	CARRERA
(10)	930 501 075 01	cross member		1	TURBO
10A	911 501 485 01	support		1	
11	911 501 023 02	bracket for fuel pump		1	TURBO
12	911 504 930 00	strap		2	
13	999 703 098 40	cap plug 19 \$		2	

Model	Year	MG	SG	Illustration	Restrictions	Update	8:46	17.08.2004	PORSCHE	PET	PORSCHE
911	89	8	01	801-15		179					

Pos	Part Number	Name	Remarks	Qty	Model	Pos	Part Number	Name	Remarks	Qty	Model
14	911 501 160 01	support for drive link - - - E N D - - -	88-	1	M 454						

Model	Year	MG	SG	Illustration	Restrictions	Update	8:46	17.08.2004	PORSCHE	PET	PORSCHE
911	89	8	01	801-20		179					



Pos	Part Number	Name	Remarks	Qty	Model
1	911 502 021 17	interior panelling dashboard lower part	/LL	1	
(1)	911 502 022 39	dashboard lower part	/RL	1	
2	911 502 025 42	dashboard upper part F >>91KS1 00958 F >>91KS1 40341 F >>91KS1 50414 F >>93KS0 00184 F >>93KS0 10067 F >>93KS0 20083	/LL	1	COUPE TARGA CABRIO
(2)	911 502 025 44	dashboard upper part F 91KS1 00959>> F 91KS1 40342>> F 91KS1 50415>> F 93KS0 00185>> F 93KS0 10068>> F 93KS0 20084>>	/LL	1	COUPE TARGA CABRIO
(2)	911 502 025 43	dashboard upper part	/LL	1	SPEEDSTER
(2)	911 502 026 42	dashboard upper part F >>91KS1 00958 F >>91KS1 40341 F >>91KS1 50414 F >>93KS0 00184 F >>93KS0 10067 F >>93KS0 20083	/RL	1	COUPE TARGA CABRIO
(2)	911 502 026 44	dashboard upper part F 91KS1 00959>> F 91KS1 40342>> F 91KS1 50415>> F 93KS0 00185>> F 93KS0 10068>> F 93KS0 20084>>	/RL	1	COUPE TARGA CABRIO
(2)	911 502 026 43	dashboard upper part	/RL	1	SPEEDSTER
3	911 552 010 05	glove box cover		1	
4	999 217 008 02	hexagon-head bolt AM 5 X 10		2	

Model	Year	MG	SG	Illustration	Restrictions	Update	8:46	17.08.2004	PORSCHE	PET	PORSCHE
911	89	8	01	801-20		179					

Pos	Part Number	Name	Remarks	Qty	Model	Pos	Part Number	Name	Remarks	Qty	Model
5	N 021 196 1	lock nut M 5		4		11	A 901 501 217 21	post bracket F >>91JS1 01686 F >>91JS1 09839 F >>91JS1 05093 F >>93JS0 00314 F >>91JS1 40603 F >>91JS1 49575 F >>91JS1 50606 F >>91JS1 59576 F >>93JS0 20118 F >>93JS0 10088	/L	1	COUPE COUPE COUPE (J) COUPE M 637 COUPE TURBO TARGA TARGA (J) CABRIO CABRIO (J) TURBO CABRIO TURBO TARGA
6	900 025 003 02	washer 5,3		4							
7	911 501 967 02	wheel housing	/L	1							
(7)	911 501 968 02	wheel housing	/R	1							
(7)	911 501 967 03	wheel housing order also: 911.501.057.45	/L	1	SPEEDSTER						
(7)	911 501 968 03	wheel housing order also: 911.501.058.45	/R	1	SPEEDSTER	(11)	901 501 218 21	post bracket F >>91JS1 01686 F >>91JS1 09839 F >>91JS1 05093 F >>93JS0 00314 F >>91JS1 40603 F >>91JS1 49575 F >>91JS1 50606 F >>91JS1 59576 F >>93JS0 20118 F >>93JS0 10088	/R	1	COUPE COUPE COUPE (J) COUPE M 637 COUPE TURBO TARGA TARGA (J) CABRIO CABRIO (J) TURBO CABRIO TURBO TARGA
-	911 501 057 45	side member upper for wheel housing	/L	1	SPEEDSTER						
-	911 501 058 45	side member upper for wheel housing	/R	1	SPEEDSTER						
-	911 507 535 00	bracket	/L	1		(11)	911 501 680 01	post bracket F 91JS1 01687>> F 91JS1 09840>> F 91JS1 05094>> F 91JS0 00315>> F 91JS1 40604>> F 91JS1 49576>> F 91JS1 50607>> F 91JS1 59577>> F 93JS0 20119>> F 93JS0 10089>>	/R	1	COUPE COUPE COUPE (J) COUPE M 637 COUPE TURBO TARGA TARGA (J) CABRIO CABRIO (J) TURBO CABRIO TURBO TARGA
-	911 501 836 00	bracket	/R	1							
10	999 703 031 40	plug 31 X 37 X 11		2							
(10)	111 971 911 A	rubber sleeve		2							
(10)	999 703 348 40	rubber sleeve 10,5 X 16 X 8		2	COUPE M 650						
(10)	999 702 126 50	grommet wheel housing 17,5 X 32 X 7	/V/L	4		12	911 501 039 02	hinge pillar F >>91JS1 01686 F >>91JS1 09839 F >>91JS1 05093 F >>93JS0 00314 F >>91JS1 40603 F >>91JS1 49575 F >>91JS1 50606 F >>91JS1 59576 F >>93JS0 20118 F >>93JS0 10088	/L	1	COUPE COUPE (J) COUPE M 637 COUPE TURBO TARGA TARGA (J) CABRIO CABRIO (J) TURBO CABRIO TURBO TARGA
(10)	999 703 224 40	cap 20 X 25 X 6		2							

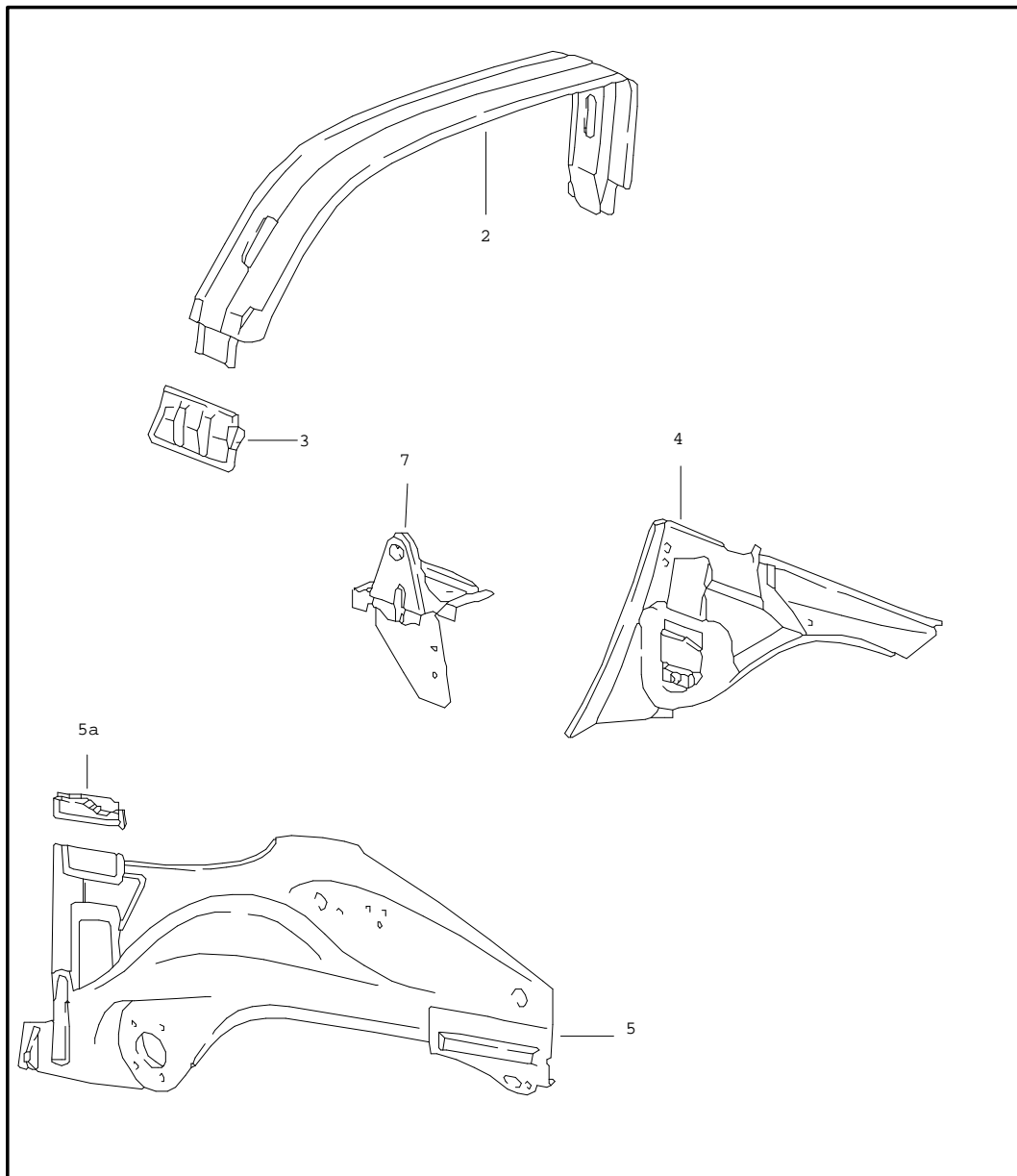
Model	Year	MG	SG	Illustration	Restrictions	Update	8:46	17.08.2004	PORSCHE	PET	PORSCHE
911	89	8	01	801-20		179					

Pos	Part Number	Name	Remarks	Qty	Model	Pos	Part Number	Name	Remarks	Qty	Model
(12)	911 501 040 02	hinge pillar F >>91JS1 01686 F >>91JS1 09839 F >>91JS1 05093 F >>93JS0 00314 F >>91JS1 40603 F >>91JS1 49575 F >>91JS1 50606 F >>91JS1 59576 F >>93JS0 20118 F >>93JS0 10088	/R	1	COUPE COUPE (J) COUPE M 637 COUPE TURBO TARGA TARGA (J) CABRIO CABRIO (J) TURBO CABRIO TURBO TARGA	18	911 501 223 02	reinforcement bracket	/L	1	
						(18)	911 501 226 01	reinforcing support	/R	1	
						19	911 502 029 00	roof frame F >>91JS1 01686 F >>91JS1 09839 F >>91JS1 05093 F >>93JS0 00314 F >>91JS1 40603 F >>91JS1 49575 F >>91JS1 50606 F >>91JS1 59576 F >>93JS0 20118 F >>93JS0 10088	/L	1	COUPE COUPE COUPE (J) COUPE M 637 COUPE TURBO TARGA TARGA (J) CABRIO CABRIO (J) TURBO CABRIO TURBO TARGA
(12)	964 599 039 00	hinge pillar F 91JS1 01687>> F 91JS1 09840>> F 91JS1 05094>> F 91JS0 00315>> F 91JS1 40604>> F 91JS1 49576>> F 91JS1 50607>> F 91JS1 59577>> F 93JS0 20119>> F 93JS0 10089>>	/L	1	COUPE COUPE (J) COUPE M 637 COUPE TURBO TARGA TARGA (J) CABRIO CABRIO (J) TURBO CABRIO TURBO TARGA	19	911 502 029 02	roof frame with windscreen frame part F 91JS1 01687>> F >>91KS1 00958 F >>91KS1 40341 F 91JS1 09840>> F 91JS1 05094>> F >>91KS1 50414 F 91JS0 00315>> F >>93KS0 00184 F 91JS1 40604>> F >>93KS0 10067 F >>93KS0 20083 F 91JS1 49576>> F 91JS1 50607>> F 91JS1 59577>> F 93JS0 20119>> F 93JS0 10089>>	/L	1	COUPE COUPE TARGA COUPE (J) COUPE M 637 CABRIO COUPE TURBO COUPE TARGA TARGA CABRIO TARGA (J) CABRIO CABRIO (J) TURBO CABRIO TURBO TARGA
(12)	964 599 040 00	hinge pillar F 91JS1 01687>> F 91JS1 09840>> F 91JS1 05094>> F 91JS0 00315>> F 91JS1 40604>> F 91JS1 49576>> F 91JS1 50607>> F 91JS1 59577>> F 93JS0 20119>> F 93JS0 10089>>	/R	1	COUPE COUPE (J) COUPE M 637 COUPE TURBO TARGA TARGA (J) CABRIO CABRIO (J) TURBO CABRIO TURBO TARGA	(19)	911 502 029 03	roof frame with windscreen frame part F 91KS1 00959>> F 91KS1 40342>> F 91KS1 50415>> F 93KS0 00185>> F 93KS0 10068>> F 93KS0 20084>>	/L	1	COUPE
(12)	964 502 039 01	hinge pillar	/L	1	SPEEDSTER						
(12)	964 502 040 01	hinge pillar	/R	1	SPEEDSTER						
13	901 501 305 20	angular bracket	/L	1							COUPE TARGA CABRIO
(13)	901 501 306 20	angular bracket	/R	1							COUPE TARGA CABRIO
14	911 501 439 00	filler plate	/L	1							
(14)	911 501 440 00	filler plate	/R	1							
16	911 501 053 00	wing joining plate	/L	1							
(16)	911 501 054 00	wing joining plate	/R	1							
17	911 504 101 00	cover plate		2							

Model	Year	MG	SG	Illustration	Restrictions	Update	8:46	17.08.2004	PORSCHE	PET	PORSCHE
911	89	8	01	801-20		179					

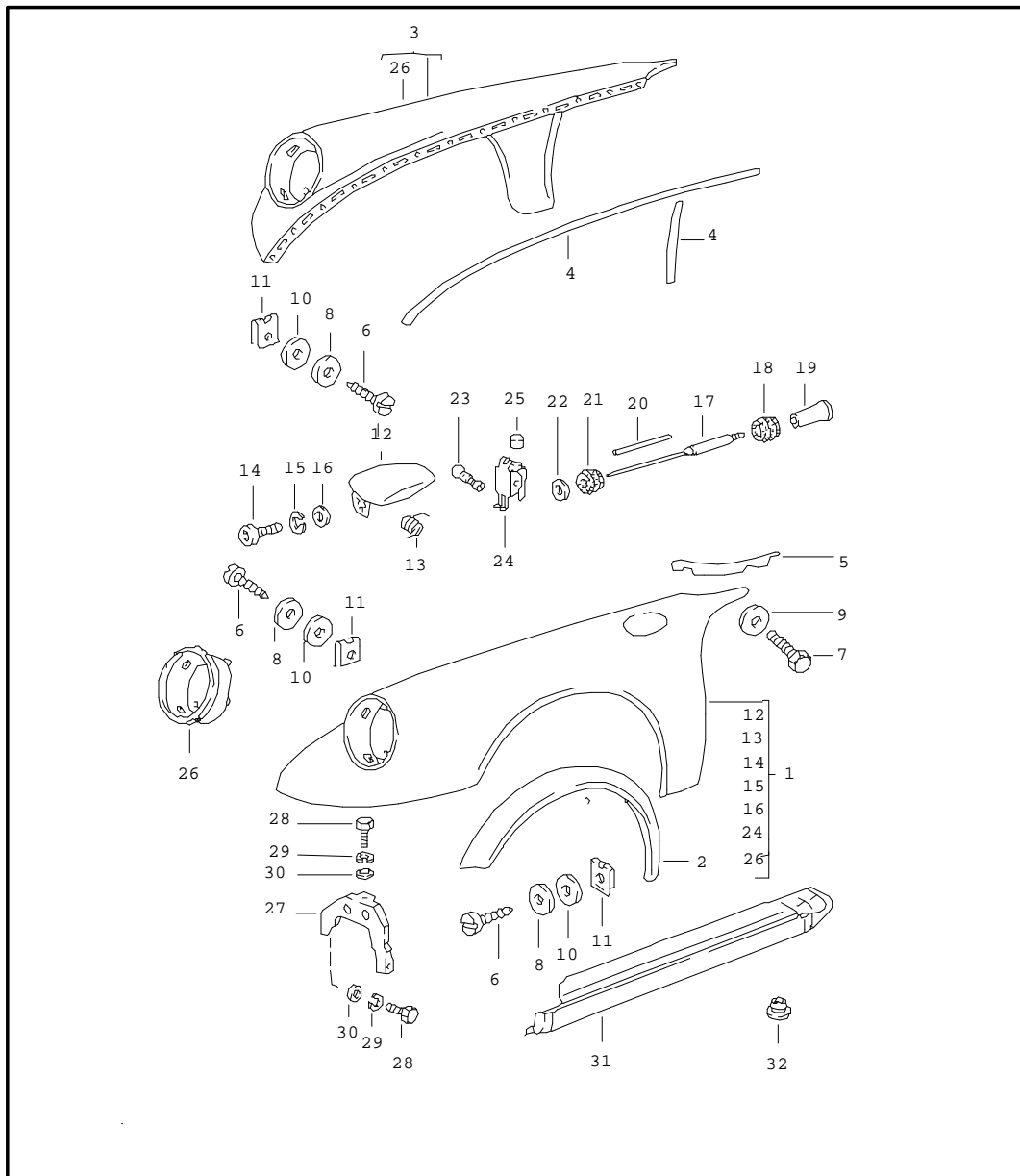
Pos	Part Number	Name	Remarks	Qty	Model	Pos	Part Number	Name	Remarks	Qty	Model
(19)	911 502 030 00	roof frame F >>91JS1 01686 F >>91JS1 09839 F >>91JS1 05093 F >>93JS0 00314 F >>91JS1 40603 F >>91JS1 49575 F >>91JS1 50606 F >>91JS1 59576 F >>93JS0 20118 F >>93JS0 10088	/R	1	COUPE COUPE COUPE (J) COUPE M 637 COUPE TURBO TARGA TARGA (J) CABRIO CABRIO (J) TURBO CABRIO TURBO TARGA	25	911 501 125 00	support		6	
						27	911 501 167 03	mounting	/L	1	
						(27)	911 501 168 00	mounting	/R	1	
						28	911 501 313 00	corner reinforcement	/L	1	
						(28)	911 501 314 00	corner reinforcement for lid-release cable	/R	1	
(19)	911 502 030 02	roof frame with windscreen frame part F 91JS1 01687>> F 91JS1 09840>> F 91JS1 05094>> F 91JS0 00315>> F 91JS1 40604>> F 91JS1 49576>> F 91JS1 50607>> F 91JS1 59577>> F 93JS0 20119>> F 93JS0 10089>>	/R	1	COUPE COUPE COUPE (J) COUPE M 637 COUPE TURBO TARGA TARGA (J) CABRIO CABRIO (J) TURBO CABRIO TURBO TARGA	29	911 502 483 00	guide tube for lid-release cable	88-	1	
						32	911 501 195 00	jacking point		1	
						33	911 501 823 00	bracket	/L	1	COUPE
						(33)	911 501 824 00	bracket	/R	1	COUPE
						34	901 502 245 00	profile	/L	1	COUPE
						(34)	901 502 246 00	profile	/R	1	COUPE
(19)	911 502 030 03	roof frame with windscreen frame part F 91KS1 00959>> F 91KS1 40342>> F 91KS1 50415>> F 93KS0 00185>> F 93KS0 10068>> F 93KS0 20084>>	/R	1	COUPE COUPE TARGA CABRIO COUPE TARGA CABRIO	35	911 501 577 00	gusset plate	/L	1	COUPE CABRIO
						35	911 507 077 40	gusset plate	/L	1	TARGA/ CABRIO
						(35)	911 501 578 00	gusset plate	/R	1	COUPE CABRIO
20	911 502 220 00	cross piece for windscreen		1		(35)	911 507 078 40	gusset plate	/R	1	TARGA/ CABRIO
(21)	911 501 123 04	side member	/L	1		36	911 507 515 00	guide tube front		2	SPEEDSTER
(21)	911 501 124 04	side member	/R	1		37	911 507 517 00	guide tube rear		2	SPEEDSTER
22	911 501 017 81	side member wheel housing	/L	1	COUPE	38	999 209 013 00	bush		2	SPEEDSTER
(22)	911 501 018 33	side member wheel housing	/R	1	COUPE						
-	911 507 625 00	bracket	/L	1							
-	911 507 626 00	bracket	/R	1							
24	911 501 115 00	reinforcement side section		2							

Model	Year	MG	SG	Illustration	Restrictions	Update	8:46	17.08.2004	PORSCHE	PET	PORSCHE
911	89	8	01	801-25		179					



Pos	Part Number	Name	Remarks	Qty	Model
		interior panelling			TARGA/CABRIO /SPEEDSTER
2	911 565 001 40	roll bar		1	TARGA
3	911 501 203 40	filler plate	/L	1	TARGA
(3)	911 501 204 40	filler plate	/R	1	TARGA
(4)	911 501 205 43	interior panel	/L	1	TARGA
(4)	911 501 205 65	interior panel	/L	1	CABRIO
(4)	911 507 105 00	interior panel	/L	1	SPEEDSTER
(4)	911 501 206 43	interior panel	/R	1	TARGA
(4)	911 501 206 65	interior panel	/R	1	CABRIO
(4)	911 507 106 00	interior panel	/R	1	SPEEDSTER
(5)	911 501 017 73	side member wheel housing	/L	1	TARGA
(5)	911 501 017 68	side member wheel housing	/L	1	CABRIO
(5)	911 501 017 92	side member wheel housing	/L	1	SPEEDSTER
(5)	911 501 018 73	side member wheel housing	/R	1	TARGA
(5)	911 501 018 68	side member wheel housing	/R	1	CABRIO
(5)	911 501 018 92	side member wheel housing	/R	1	SPEEDSTER
5A	911 501 465 60	insert	/L	1	CABRIO
5A	911 501 466 60	insert	/R	1	CABRIO
7	911 501 431 61	convertible top support	/L	1	CABRIO/ SPEEDSTER
(7)	911 501 432 61	convertible top support	/R	1	CABRIO/ SPEEDSTER
- - - E N D - - -					

Model	Year	MG	SG	Illustration	Restrictions	Update	8:46	17.08.2004	PORSCHE	PET	PORSCHE
911	89	8	01	801-30		179					

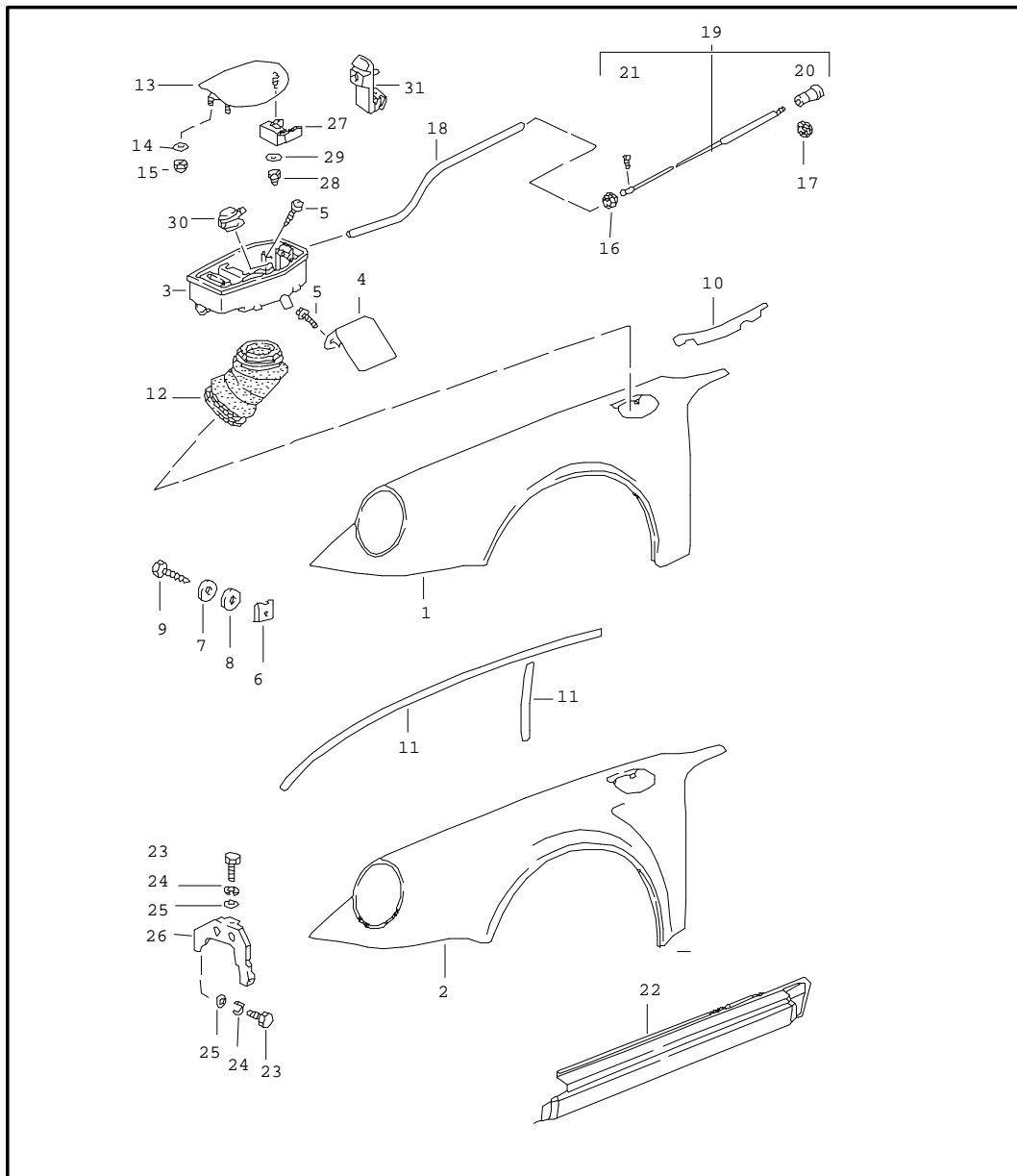


Pos	Part Number	Name	Remarks	Qty	Model
		wing with sheet metal cup for tank			
		valid up to:			
	F >>91KS1 00958				COUPE
	F >>91KS1 40341				TARGA
	F >>91KS1 50414				CABRIO
	F >>93KS0 00184				COUPE
	F >>93KS0 10067				TARGA
	F >>93KS0 20083				CABRIO
1	911 503 031 09	wing	/L	1	CARRERA
(1)	930 503 031 12	wing	/L	1	TURBO/ CARRERA M 491
2	930 503 307 00	wing joining plate	/L	1	TURBO/ CARRERA M 491
(2)	930 503 308 00	wing joining plate	/R	1	TURBO/ CARRERA M 491
3 A	911 503 032 04	wing	/R	1	CARRERA
3	911 503 032 10	wing	/R	1	CARRERA
(3)	930 503 032 12	wing	/R	1	TURBO/ CARRERA M 491
4	000 043 129 00	sealing strap 25 X 2 MM		*	
5	901 503 394 22	piping 4,3 MM		2	
(5)	911 799 503 07	wing seal 6,5 MM		X	
6	900 187 010 02	tapping screw BZ 6,3 X 19		32	
7	900 067 011 02	pan-head screw M 6 X 20		4	
8	N 011 666 7	washer B 6,4		32	
9	N 011 550 1	washer B 6,5		4	

Model	Year	MG	SG	Illustration	Restrictions	Update	8:46	17.08.2004	PORSCHE	PET	PORSCHE
911	89	8	01	801-30		179					

Pos	Part Number	Name	Remarks	Qty	Model	Pos	Part Number	Name	Remarks	Qty	Model
(9)	N 011 666 7	washer B 6,4		4		30	A 900 025 007 02	washer A 8,4		4	
(9)	999 025 098 02	washer		X		(30)	900 025 007 02	washer A 8,4		4	
10	999 704 157 40	washer		32		31	911 503 401 05	door sill	/L	1	
11	999 591 327 02	speed nut B 6,3		32		(31)	911 503 402 05	door sill	/R	1	
12	911 504 031 00	cover		1		32	411 837 111	cap		4	
13	911 504 331 00	spring		1				- - - E N D - - -			
14	900 067 051 02	pan-head screw M 5 X 10		3							
15	N 012 005 3	lock ring B 5		3							
16	900 025 003 02	washer A 5,3		3							
17	901 504 317 21	lid-release cable		1							
18	911 504 385 00	rubber washer		1							
19	901 552 822 00	knob		1							
20	901 504 385 20	connecting tube		1							
21	999 702 020 50	rubber sleeve		1							
22	914 504 319 00	grommet		1							
23	999 230 002 02	screw nipple		1							
24	901 504 034 20	bearing		1							
25	911 025 679 00	buffer		1							
(26)	911 503 015 05	headlamp casing	/L	1							
(26)	911 503 016 05	headlamp casing	/R	1							
(27)	911 503 079 01	wing strut	/L	1							
(27)	911 504 080 00	bracket	/R	1							
28	900 075 087 02	hexagon-head bolt M 8 X 16		4							
29	900 027 015 02	lock ring B 8		4							

Model	Year	MG	SG	Illustration	Restrictions	Update	8:51	17.08.2004	PORSCHE	PET	PORSCHE
911	89	8	01	801-31		179					

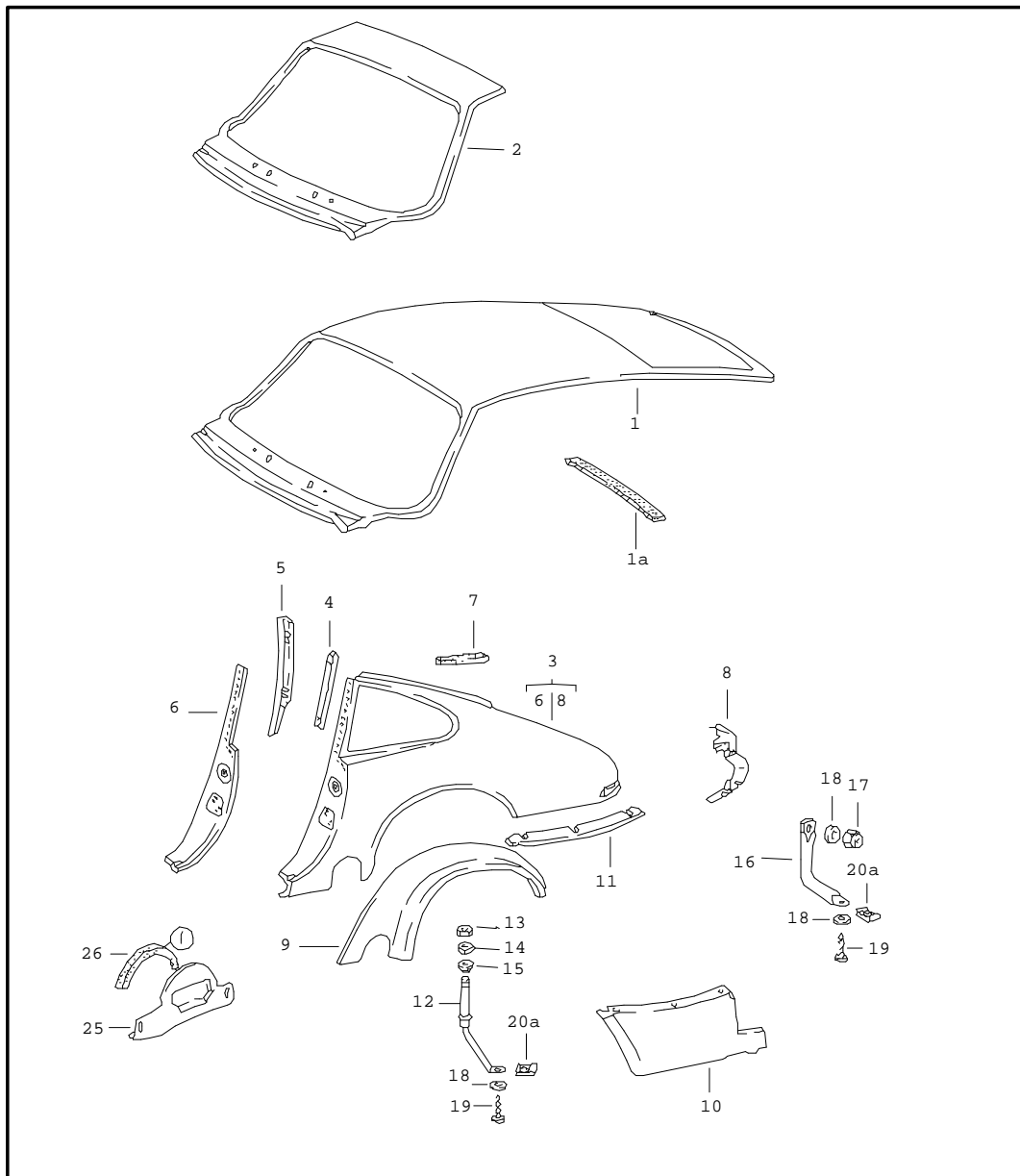


Pos	Part Number	Name	Remarks	Qty	Model
		wing with plastic cup for tank valid from: F 91KS1 00959>> F 91KS1 40342>> F 91KS1 50415>> F 93KS0 00185>> F 93KS0 10068>> F 93KS0 20084>>			COUPE TARGA CABRIO COUPE TARGA CABRIO
(1)	911 503 031 13	front wing	/L	1	CARRERA
(1)	911 503 032 10	wing	/R	1	CARRERA/
2	930 503 031 14	front wing	/L	1	TURBO/ CARRERA M 491
(2)	930 503 032 12	wing	/R	1	TURBO/ CARRERA M 491
3	964 201 030 00	cup		1	
4	964 201 279 00	protective flap		1	
5	999 919 089 07	screw 5 X 16		4	
5	999 919 089 07	screw		5	
6	999 591 327 02	speed nut B 6,3		16	
7	999 704 157 40	washer		32	
8	900 151 003 02	washer A 6,4		32	
9	900 187 010 02	tapping screw BZ 6,3 X 19		32	
10	901 503 394 22	piping 4,3 MM		2	
10	911 799 503 07	wing seal 6,5 MM		X	
11	000 043 129 00	sealing strap 25 X 2		X	
12	911 201 367 00	sleeve		1	

Model	Year	MG	SG	Illustration	Restrictions	Update	8:51	17.08.2004	PORSCHE	PET	PORSCHE
911	89	8	01	801-31		179					

Pos	Part Number	Name	Remarks	Qty	Model	Pos	Part Number	Name	Remarks	Qty	Model
13	964 504 033 00	cover		1		31	964 201 167 00	latch		1	
14	900 025 053 07	washer A 5,3		2							
15	900 085 011 07	cap nut M 5		2							
16	999 702 076 50	rubber sleeve 8 X 14 X 7		1							
17	999 702 020 50	rubber sleeve 8 X 12 X 9		1							
18	A 000 043 204 80	pipe		1							
18	000 043 204 80	pipe		1							
(18)	911 507 205 00	pipe		1	SPEEDSTER						
19	964 504 037 01	lid-release cable		1							
20	901 552 822 00	knob		1							
21	900 146 016 02	oval-head screw		1							
22	911 503 401 05	door sill	/L	1							
(22)	911 503 402 05	door sill	/R	1							
23	900 075 087 02	hexagon-head bolt M 8 X 16		4							
24	900 027 015 02	lock ring B 8		4							
25	900 025 007 02	washer A 8,4		4							
26	911 503 079 01	wing strut	/L	1							
(26)	911 504 080 00	bracket	/R	1							
27	964 504 375 00	support		1							
28	900 085 011 07	cap nut M 5		1							
29	900 025 003 02	washer A 5,3		1							
30	964 201 507 00	cover		1							

Model	Year	MG	SG	Illustration	Restrictions	Update	8:51	17.08.2004	PORSCHE	PET	PORSCHE
911	89	8	01	801-35		179					



Pos	Part Number	Name	Remarks	Qty	Model
		exterior panelling rear			
1	911 503 087 08	outer roof panel F >>91JS1 01686 F >>91JS1 09839 F >>91JS1 05093 F >>93JS0 00314		1	COUPE COUPE COUPE (J) COUPE M 637 COUPE TURBO
1	901 503 051 00	outer roof panel F 91JS1 01687>> F 91JS1 09840>> F 91JS1 05094>> F 93JS0 00315>>		1	COUPE COUPE COUPE (J) COUPE M 637 COUPE TURBO
(1)	911 503 087 16	outer roof panel until for cars with width of fold 15 MM MOD. 89		1	COUPE
(1)	911 503 087 09	outer roof panel F >>91JS1 01686 F >>91JS1 09839 F >>91JS1 05093 F >>93JS0 00314		1	COUPE M 650 COUPE COUPE (J) COUPE M 637 COUPE TURBO
(1)	901 503 051 05	outer roof panel F 91JS1 01687>> F 91JS1 09840>> F 91JS1 05094>> F 93JS0 00315>>		1	COUPE M 650 COUPE COUPE (J) COUPE M 637 COUPE TURBO
(1)	911 503 087 17	outer roof panel until for cars with width of fold 15 MM MOD. 89		1	COUPE M 650
1A	911 503 507 01	plastic foam strip		1	COUPE
2	911 503 987 01	windscreen frame part until until until for cars with width of fold 10 MM MOD. 89		1	COUPE

Model	Year	MG	SG	Illustration	Restrictions	Update	8:51	17.08.2004	PORSCHE	PET	PORSCHE
911	89	8	01	801-35		179					

Pos	Part Number	Name	Remarks	Qty	Model	Pos	Part Number	Name	Remarks	Qty	Model
(2)	911 503 987 02	windscreen frame part until for cars with width of fold 15 MM MOD. 89		1	COUPE	(3)	930 503 062 02	side section	/R 87	1	TURBO/
(3)	911 503 061 12	side section until until until for cars with width of fold 10 MM MOD. 89	/L	1	COUPE	(3)	930 503 062 03	side section until until until for cars with width of fold 10 MM MOD. 89	/R	1	TURBO/
(3)	911 503 061 13	side section until for cars with width of fold 15 MM MOD. 89	/L	1	COUPE	(3)	930 503 062 04	side section with POS.9 until for cars with width of fold 15 MM MOD. 89	/R	1	TURBO COUPE M 491
(3)	930 503 061 03	side section until until until for cars with width of fold 10 MM MOD. 89	/L	1	TURBO/	4	911 503 193 00	retaining strip F >>91HS1 02284 F >>91HS1 05062 F >>91HS1 09747 F >>93HS0 00540		2	COUPE COUPE COUPE M 637 COUPE (J) TURBO COUPE
(3)	930 503 061 04	side section until for cars with width of fold 15 MM MOD. 89	/L	1	TURBO/	4	911 503 193 01	retaining strip F 91HS1 02285>> F 91HS1 05063>> F 91HS1 09748>> F 93HS0 00541>>		2	COUPE COUPE COUPE M 637 COUPE (J) TURBO COUPE
(3)	911 503 062 12	side section until until until for cars with width of fold 10 MM MOD. 89	/R	1	COUPE	5	911 502 043 02	lock pillar inner panel until until until for cars with width of fold 10 MM MOD. 89	/L	1	
(3)	911 503 062 13	side section until for cars with width of fold 15 MM MOD. 89	/R	1	COUPE	(5)	964 502 071 01	inner panel inner panel until for cars with width of fold 15 MM MOD. 89	/L	1	

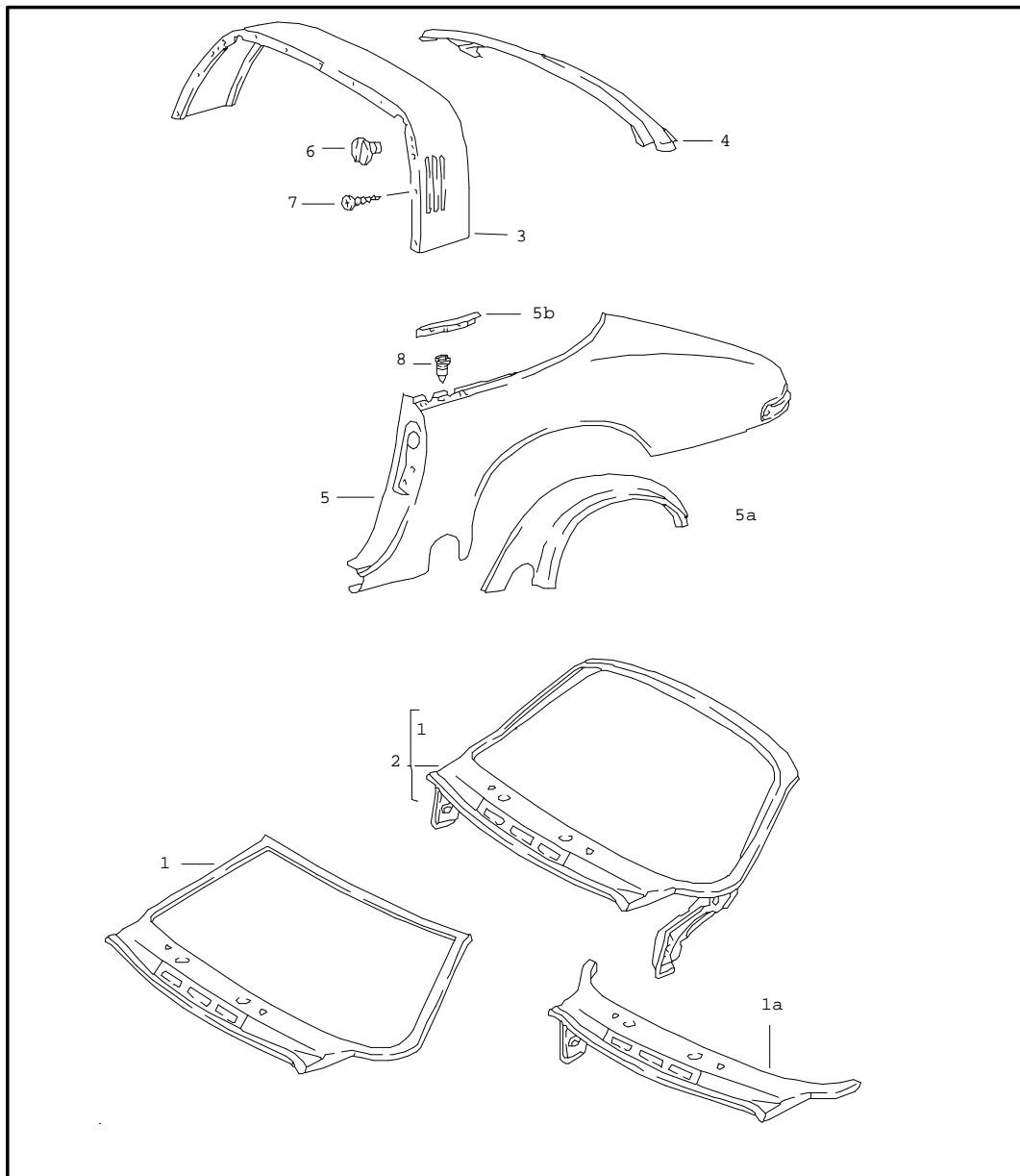
Model	Year	MG	SG	Illustration	Restrictions	Update	8:51	17.08.2004	PORSCHE	PET	PORSCHE
911	89	8	01	801-35		179					

Pos	Part Number	Name	Remarks	Qty	Model	Pos	Part Number	Name	Remarks	Qty	Model
(5)	911 502 044 02	lock pillar inner panel until until for cars with width of fold 10 MM MOD. 89	/R	1		8	911 503 073 00	bar rear light housing	/L	1	
(5)	964 502 072 01	inner panel inner panel until for cars with width of fold 15 MM MOD. 89	/R	1		(8)	911 503 074 00	bar rear light housing	/R	1	
6	911 502 041 04	lock pillar until until until for cars with width of fold 10 MM MOD. 89	/L	1		9	930 503 907 00	wing joining plate	/L	1	TURBO CARRERA M 491
(6)	964 502 041 00	lock pillar until for cars with width of fold 15 MM MOD. 89	/L	1		(9)	930 503 908 00	wing joining plate	/R	1	TURBO CARRERA M 491
(6)	911 502 042 04	lock pillar until until until for cars with width of fold 10 MM MOD. 89	/R	1		10	911 503 067 03	lower part lower part	/L	1	CARRERA
(6)	964 502 042 00	lock pillar until for cars with width of fold 15 MM MOD. 89	/R	1		(10)	930 503 067 00	side section lower part	/L	1	TURBO CARRERA M 491
7	911 504 933 00	seal	/L	1		(10)	911 503 068 03	lower part lower part	/R	1	CARRERA
(7)	911 504 934 00	seal	/R	1		(10)	930 503 068 00	side section lower part	/R	1	TURBO CARRERA M 491
						11	911 503 185 01	intermediate layer	/L	1	CARRERA
						(11)	911 503 186 01	intermediate layer	/R	1	CARRERA
						(11)	930 503 197 00	intermediate layer		2	TURBO/M 491
						(11)	000 043 204 81	intermediate layer		*	TURBO CARRERA M 491
						12	911 501 623 02	support tube	/V	2	
						13	900 078 009 02	hexagon nut M 20 X 1,5		2	
						(14)	900 025 021 02	washer A 21		2	
						15	901 501 913 21	sealing ring		2	
						16	930 501 628 01	support tube	/H/L	1	
						16	911 501 628 01	support tube	/H/R	1	
						17	900 910 012 02	lock nut M 6		2	

Model	Year	MG	SG	Illustration	Restrictions	Update	8:51	17.08.2004	PORSCHE	PET	PORSCHE
911	89	8	01	801-35		179					

Pos	Part Number	Name	Remarks	Qty	Model	Pos	Part Number	Name	Remarks	Qty	Model
18	N 011 666 7	washer 6,4		6							
(19)	900 187 108 02	tapping screw BZ 6,3 X 16		4							
20A	999 507 048 03	speed nut B 6,3		4							
(25)	911 504 753 01	spring cover	/L	1	CARRERA						
25	930 504 753 00	spring cover	/L	1	TURBO/ CARRERA M 491						
(25)	911 504 754 01	spring cover	/R	1	CARRERA						
(25)	930 504 754 00	spring cover	/R	1	TURBO/ CARRERA M 491						
26	911 559 511 00	gasket		2							
		- - - E N D - - -									

Model	Year	MG	SG	Illustration	Restrictions	Update	8:51	17.08.2004	PORSCHE	PET	PORSCHE
911	89	8	01	801-40		179					

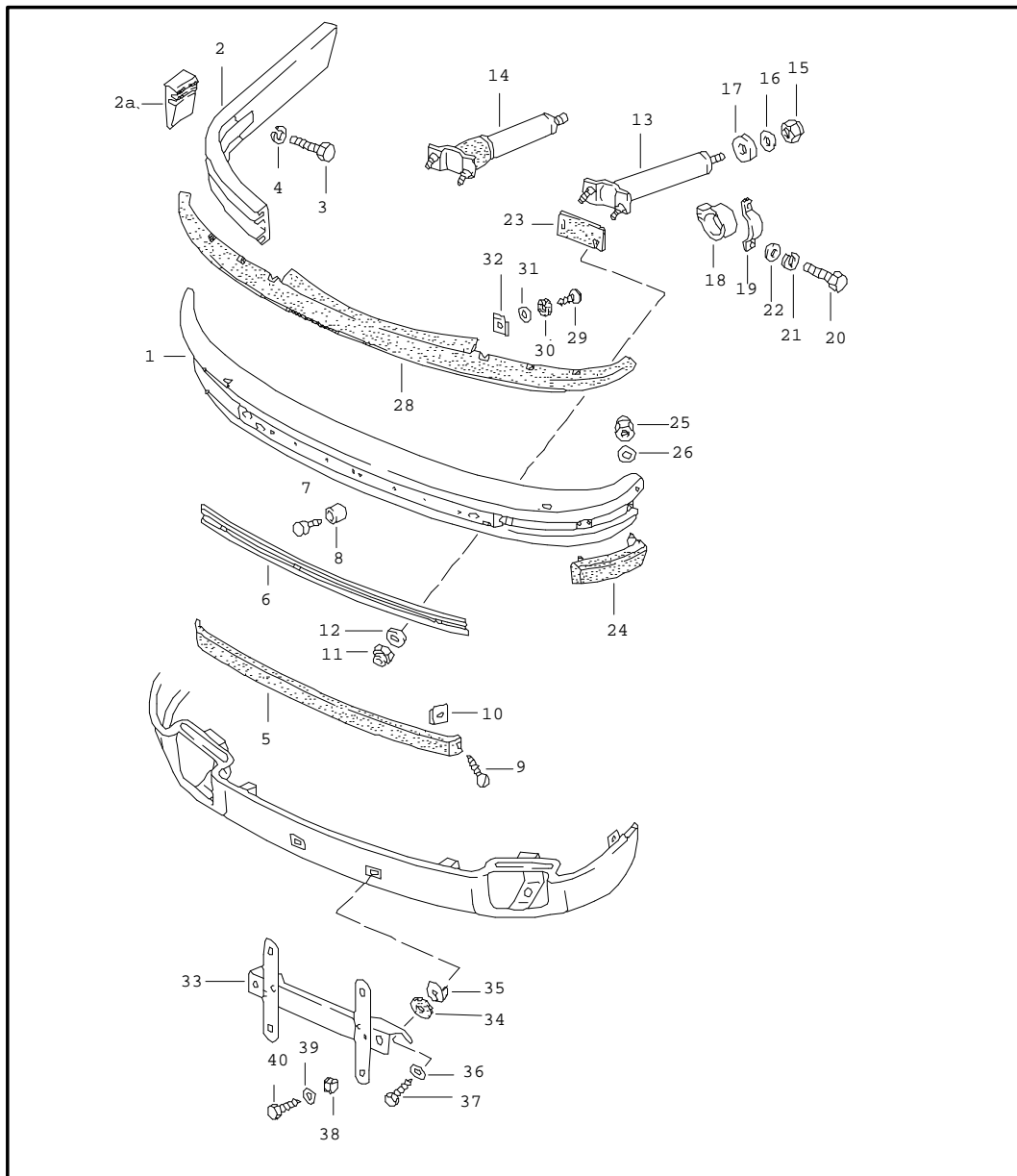


Pos	Part Number	Name	Remarks	Qty	Model
		exterior panelling			TARGA/CABRIO /SPEEDSTER
1	911 503 087 42	scuttle for cars with width of fold 10 MM MOD. 89		1	
(1)	911 503 087 46	scuttle for cars with width of fold 15 MM MOD. 89		1	
1A	911 503 523 00	cowl lower		1	SPEEDSTER
2	911 599 503 34	windscreen frame for cars with width of fold 10 MM MOD. 89		1	TARGA/CABRIO
(2)	911 599 503 35	windscreen frame for cars with width of fold 15 MM MOD. 89		1	TARGA/CABRIO
3	911 565 043 48	lining	87	1	TARGA
3	911 565 083 00	lining roll bar		1	TARGA
		70B black	-88		
		9XM black	89		
4	901 503 322 40	centre part for cars with width of fold 10 MM MOD. 89		1	
4	964 503 511 40	centre part for cars with width of fold 15 MM MOD. 89		1	
5	911 503 061 51	side section	/L	1	TARGA

Model	Year	MG	SG	Illustration	Restrictions	Update	8:51	17.08.2004	PORSCHE	PET	PORSCHE
911	89	8	01	801-40		179					

Pos	Part Number	Name	Remarks	Qty	Model	Pos	Part Number	Name	Remarks	Qty	Model
(5)	930 503 061 42	side section	/L	1	TARGA M 491						
(5)	911 503 061 62	side section	/L	1	CABRIO/ SPEEDSTER						
(5)	930 503 061 61	side section	/L	1	CABRIO M 491 SPEEDSTER						
(5)	911 503 062 51	side section	/R	1	TARGA						
(5)	930 503 062 42	side section	/R	1	TARGA M 491						
(5)	911 503 062 62	side section		1	CABRIO/ SPEEDSTER						
(5)	930 503 062 61	side section	/R	1	CABRIO M 491 SPEEDSTER						
5A	930 503 907 00	wing joining plate	/L	1	TURBO M 491						
(5A)	930 503 908 00	wing joining plate	/R	1	TURBO M 491						
5B	911 503 627 00	support frame	/L	1	SPEEDSTER						
(5B)	911 503 628 00	support frame	/R	1	SPEEDSTER						
6	901 801 153 40	screw plug ski rack		4	TARGA						
7	N 013 957 5	tapping screw B 3,5 X 9,5		15	TARGA						
8	911 565 363 00	water drain valve		2	TARGA						
		- - - E N D - - -									

Model	Year	MG	SG	Illustration	Restrictions	Update	8:52	17.08.2004	PORSCHE	PET	PORSCHE
911	89	8	02	802-00		179					

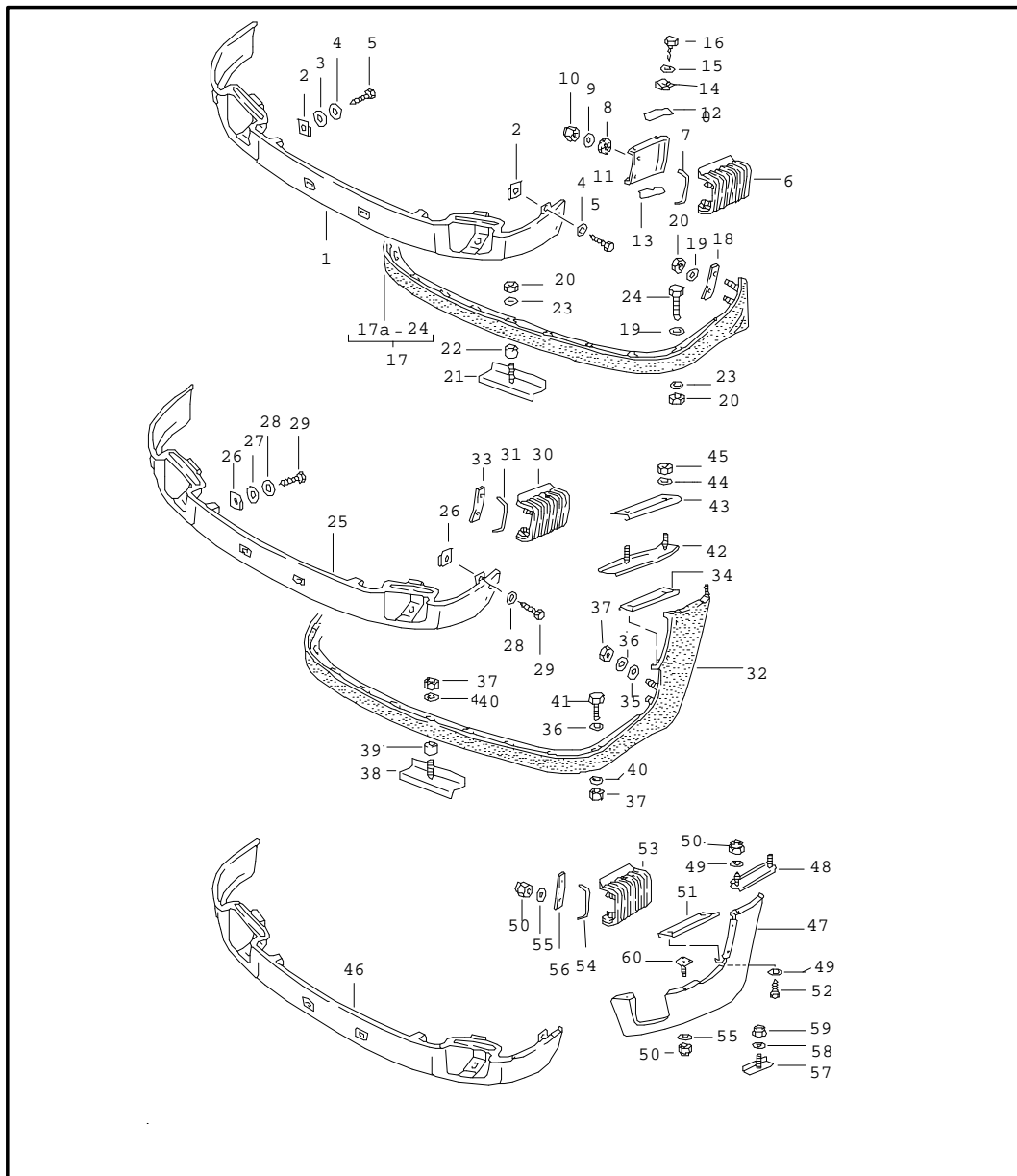


Pos	Part Number	Name	Remarks	Qty	Model
		bumper front			
(1)	911 505 011 18	bumper		1	
1	930 505 011 02	bumper		1	M 288
5	911 505 147 03	protective moulding		1	
6	911 505 149 02	insert		1	
7	911 505 417 00	plug		7	
8	911 505 418 00	grommet		7	
9	900 143 085 07	tapping screw B 4,2 X 16		2	
10	999 507 018 02	speed nut B 4,2		2	
11	N 011 185 6	hexagon nut M 10		4	
12	900 025 008 09	washer A 10,5		4	
13	911 505 045 03	impact pipe		2	
14	911 505 279 03	impact absorber M 8		2	M 058/113
15	900 084 004 02	hexagon nut M 8		2	
(15)	999 084 608 02	hexagon nut M 12		2	M 058
16	900 151 008 02	washer A 8,4		2	
(16)	900 025 009 02	washer A 13		2	M 058
17	911 505 220 01	desk pad		2	
(17)	911 505 219 01	desk pad		2	M 058
18	911 505 221 00	stop		2	
19	911 505 223 00	supporting bow		2	
20	900 075 085 02	hexagon-head bolt M 8 X 20		4	

Model	Year	MG	SG	Illustration	Restrictions	Update	8:52	17.08.2004	PORSCHE	PET	PORSCHE
911	89	8	02	802-00		179					

Pos	Part Number	Name	Remarks	Qty	Model	Pos	Part Number	Name	Remarks	Qty	Model
21	900 027 015 02	lock ring A 8		4		39	900 151 028 02	washer B 4,3		2	
22	900 025 007 02	washer A 8,4		4		40	900 143 134 00	tapping screw BZ 4,2 X 9,5		2	
23	911 505 311 00	desk pad		2				- - - E N D - - -			
24	911 505 307 00	cover	/L	1							
(24)	911 505 308 00	cover	/R	1							
25	N 021 196 1	lock nut M 5		4							
26	N 011 665 3	washer A 5,3		4							
28	911 505 187 01	sealing strip		1							
29	N 013 968 7	tapping screw B 4,8 X 13		10							
30	999 704 157 40	washer		4							
31	N 011 665 3	washer A 5,3		10							
32	999 507 041 09	speed nut B 4,8		10							
		number plate mount front									
(33)	911 701 201 00	support		1							
33	911 701 053 00	support		1	M 218						
(33)	911 701 201 02	support		1	M 411						
34	803 955 637	rubber washer		2							
35	999 591 354 02	prestole cage		2							
36	N 011 524 7	washer A 6,4		2							
37	900 187 115 02	screw B 5,5 X 16		2							
38	999 591 498 40	special nut		2							

Model	Year	MG	SG	Illustration	Restrictions	Update	8:52	17.08.2004	PORSCHE	PET	PORSCHE
911	89	8	02	802-01		179					



Pos	Part Number	Name	Remarks	Qty	Model
		front embellisher front spoiler CARRERA			
1	911 503 971 00	front embellisher		1	
(1)	911 503 971 01	front embellisher		1	M 637
2	999 591 327 02	speed nut B 6,3		4	
3	999 704 157 40	washer		2	
4	N 011 666 7	washer B 6,4		4	
5	900 187 010 02	tapping screw BZ 6,3 X 19		4	
6	911 799 505 63	bellows	/L	1	
(6)	911 799 505 64	bellows	/R	1	
7	911 505 375 00	clamp		2	
8	901 511 791 21	rubber washer		4	
9	900 025 003 02	washer A 5,3		4	
10	900 910 009 02	lock nut NM 5		4	
11	911 503 315 00	front embellisher	/L	1	
(11)	911 503 316 00	front embellisher	/R	1	
12	911 503 326 00	intermediate layer		1	
13	911 503 325 00	intermediate layer		1	
14	999 507 041 09	speed nut B 4,8		8	
15	N 011 665 3	washer A 5,3		8	
16	900 187 018 02	hexagon-head tapping screw B 4,8 X 16		8	
17	911 503 995 00	installation set for subsequent installat. only together with		1	

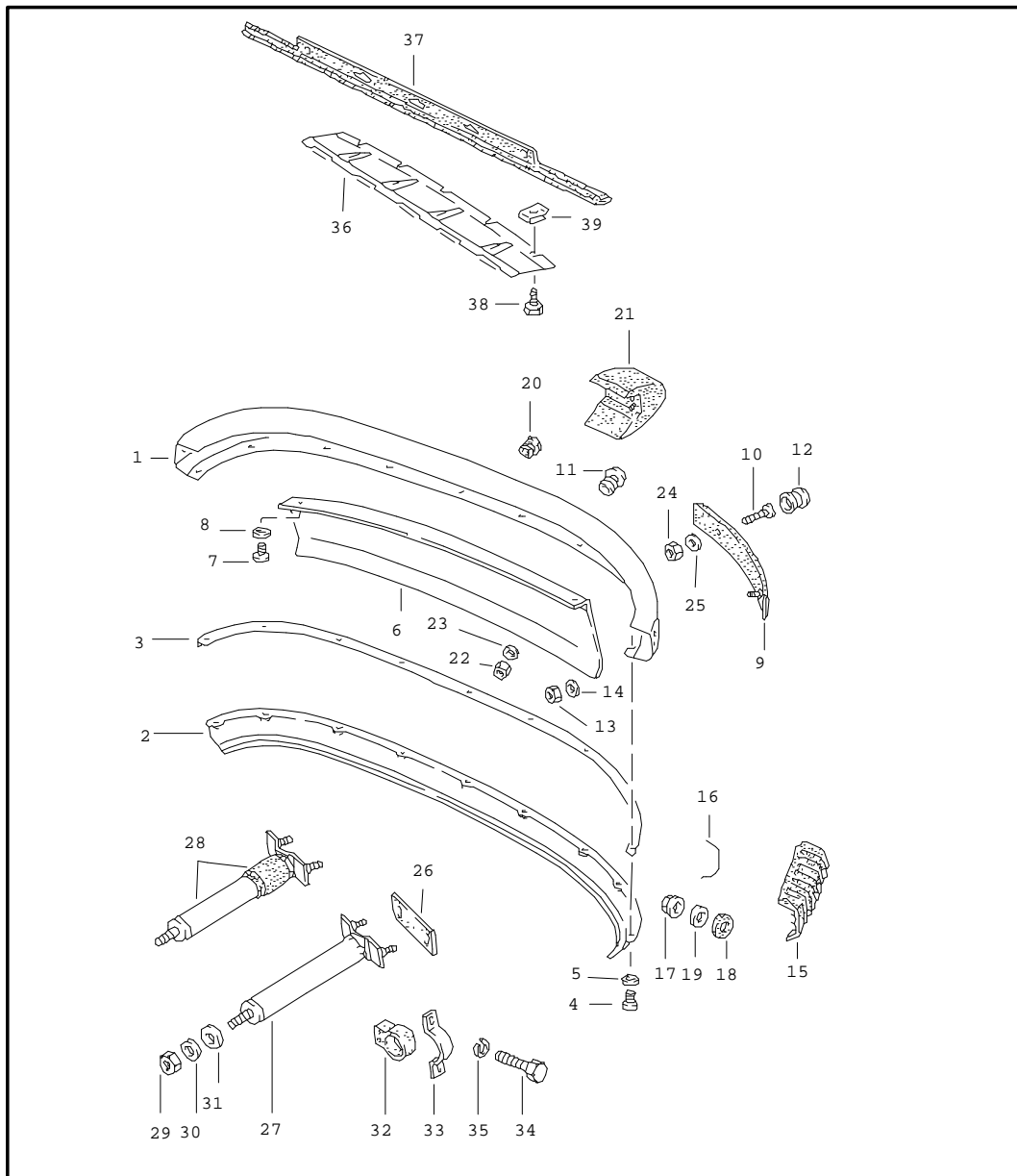
Model	Year	MG	SG	Illustration	Restrictions	Update	8:52	17.08.2004	PORSCHE	PET	PORSCHE
911	89	8	02	802-01		179					

Pos	Part Number	Name	Remarks	Qty	Model	Pos	Part Number	Name	Remarks	Qty	Model
-	911 512 909 00	installation set rear spoiler CARRERA or		1		34	930 503 327 01	plate with pressed-in hole		2	
-	930 512 901 00	installation set rear spoiler TURBO LOOK		1		35	901 565 448 40	spacer		4	
17A	911 503 055 00	front spoiler		1		36	N 011 666 7	washer B 6,4		8	
18	911 503 141 00	desk pad	/L	1		37	900 910 012 02	lock nut M 6		15	
(18)	911 503 142 00	desk pad	/R	1		38	911 503 023 00	shim		7	
19	N 011 666 7	washer B 6,4		8		39	911 503 349 00	spacer sleeve		11	
20	900 910 012 02	lock nut M 6		15		40	N 011 524 7	washer A 6,4		11	
21	911 503 023 00	shim		7		41	N 010 217 9	hexagon-head bolt M 6 X 20		4	
22	911 503 349 00	spacer sleeve		11		42	930 503 131 00	plate with screw bolt	/L	1	
23	N 011 524 7	washer A 6,4		11		(42)	930 503 132 00	plate with screw bolt	/R	1	
24	N 010 217 9	hexagon-head bolt M 6 X 20 TURBO - TURBO-LOOK		4		43	930 503 197 00	pipng		2	
25	930 503 971 00	front embellisher		1		44	N 011 665 3	washer B 5,3		4	
26	999 591 327 02	speed nut B 6,3		4		45	N 011 005 14	hexagon nut M 5 TURBO-LOOK front spoiler		4	
27	999 704 157 40	washer		2		46	930 503 971 00	front embellisher		1	
28	N 011 666 7	washer B 6,4		4		47	930 503 391 00	front embellisher	/L	1	
29	900 187 010 02	tapping screw BZ 6,3 X 19		4		(47)	930 503 392 00	front embellisher	/R	1	
31	911 505 375 00	clamp		2		48	930 503 137 00	plate with screw bolt		2	
32	930 503 055 01	front spoiler		1		49	N 011 665 3	washer B 5,3		8	
33	930 503 329 00	desk pad	/L	1		50	900 910 009 02	lock nut M 5		16	
(33)	930 503 330 00	desk pad	/R	1		51	930 503 327 01	plate with pressed-in hole		2	
						52	900 187 004 02	hexagon-head tapping screw B 4,8 X 19		4	

Model	Year	MG	SG	Illustration	Restrictions	Update	8:52	17.08.2004	PORSCHE	PET	PORSCHE
911	89	8	02	802-01		179					

Pos	Part Number	Name	Remarks	Qty	Model	Pos	Part Number	Name	Remarks	Qty	Model
54	911 505 375 00	clamp		2							
55	900 025 003 02	washer A 5,3		12							
56	930 503 329 00	desk pad	/L	1							
(56)	930 503 330 00	desk pad	/R	1							
57	911 503 173 00	shim		6							
58	N 011 524 7	washer A 6,4		6							
59	900 910 012 02	lock nut M 6		6							
60	999 503 068 02	square screw M 5		4							
- - - E N D - - -											

Model	Year	MG	SG	Illustration	Restrictions	Update	8:52	17.08.2004	PORSCHE	PET	PORSCHE
911	89	8	02	802-05		179					



Pos	Part Number	Name	Remarks	Qty	Model
		bumper rear			
1	930 505 012 05	bumper		1	
1	930 505 112 01	bumper		1	M 215
2	911 505 171 08	rear embellisher		1	CARRERA
(2)	930 505 077 04	rear embellisher		1	TURBO CARRERA M 491
3	911 505 345 03	pipng		1	
4	900 278 024 09	screw	87	8	
4	900 278 024 09	screw M 6 X 10	88-	8	
5	N 011 524 7	washer A 6,4		8	
6	930 505 511 00	heat protection		1	TURBO
7	900 278 024 09	screw	87	3	
7	900 278 024 09	screw M 6 X 10	88-	3	TURBO
8	N 011 524 7	washer A 6,4		6	TURBO
(9)	930 505 012 00	protective moulding	/L	1	TURBO
	70A	black			CARRERA M 491
(9)	930 505 090 00	protective moulding	/R	1	TURBO
	70A	black			CARRERA M 491
(9)	911 505 099 04	protective moulding	/L	1	CARRERA
	70A	black			
(9)	911 505 100 01	protective moulding	/R	1	CARRERA
	70A	black			
10	999 141 001 02	half-round screw M 5 X 12		2	

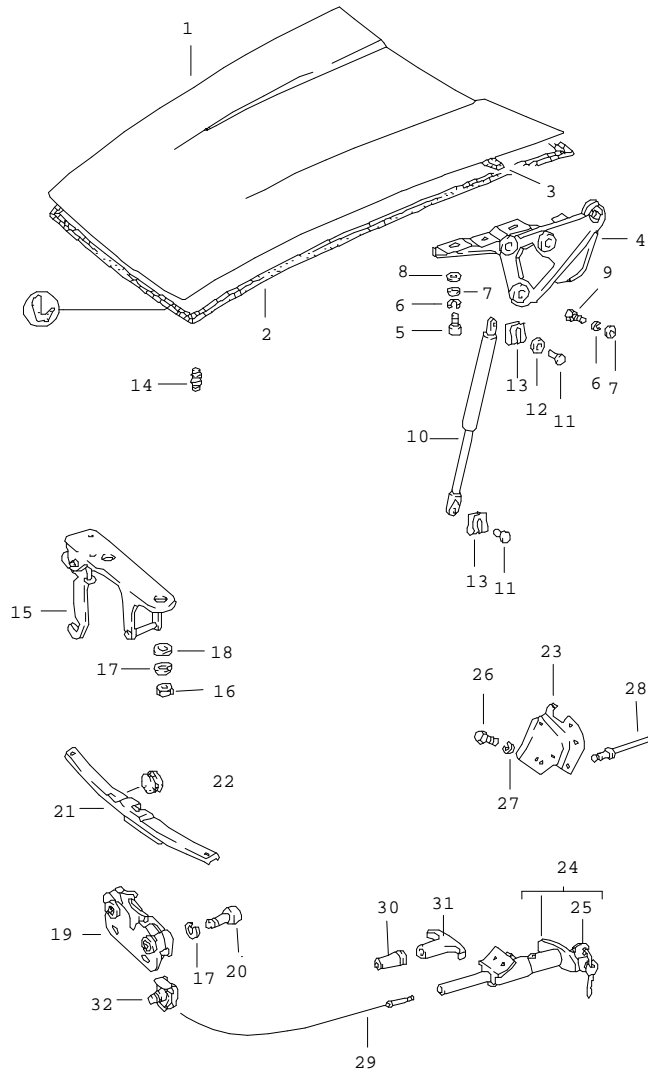
Model	Year	MG	SG	Illustration	Restrictions	Update	8:52	17.08.2004	PORSCHE	PET	PORSCHE
911	89	8	02	802-05		179					

Pos	Part Number	Name	Remarks	Qty	Model	Pos	Part Number	Name	Remarks	Qty	Model
11	999 703 181 40	plug 25,7 X 32 X 12		1		27	911 505 046 03	impact pipe		2	
12	914 552 233 10	filler piece		2	CARRERA/ M 058	28	911 505 280 03	impact absorber		2	M 058/113
13	900 910 011 02	lock nut M 6		3	TURBO	29	999 084 608 02	hexagon nut M 12		2	
14	900 151 003 02	washer A 6,4		3	TURBO	30	900 025 009 02	washer 13		2	
14	999 704 135 70	washer 7 X 17 X 1,5		3	TURBO	31	911 505 220 01	desk pad		2	
15	911 799 505 65	bellows	/L 89-	1		(31)	911 505 219 01	desk pad		2	M 058
(15)	911 799 505 66	bellows	/R -88	1		32	911 505 221 00	stop		2	
(15)	911 799 505 66	bellows	/R	1		33	911 505 223 00	supporting bow		2	
16	911 505 376 00	clamp		2		34	900 075 085 02	hexagon-head bolt M 8 X 20		4	
17	900 910 009 02	lock nut NM 5		4		35	900 027 015 02	lock ring A 8		4	
18	901 511 791 21	rubber washer		4		36	911 503 157 01	heat protection		1	CARRERA
19	900 025 003 02	washer A 5,3		4		(36)	930 503 157 01	heat protection		1	TURBO
20	911 505 347 00	rubber sleeve		2		37	911 503 085 05	seal		1	
21	930 505 031 00	buffer	/L	1		38	900 187 104 02	tapping screw B 4,8 X 13		5	
(21)	930 505 031 01	buffer	/L	1	M 215	39	999 507 041 09	speed nut B 4,8		5	
(21)	930 505 032 00	buffer	/R	1				number plate mount rear			
(21)	930 505 032 01	buffer	/R	1	M 215	-	928 701 050 03	support		1	
22	900 084 004 02	hexagon nut M 8		4		-	914 571 903 10	sealing ring		2	
23	900 025 007 02	washer 8,4		4		-	900 025 003 02	washer A 5,3		2	
24	N 011 185 6	hexagon nut M 10		4		-	N 100 818 01	oval-head screw CM 5 X 16		2	
25	900 025 008 09	washer 10,5		4		-	999 919 045 02	locking screw M 5 X 15		2	
26	911 505 311 00	desk pad		2		-	999 591 498 40	special nut		2	

Model	Year	MG	SG	Illustration	Restrictions	Update	8:52	17.08.2004	PORSCHE	PET	PORSCHE
911	89	8	02	802-05		179					

Pos	Part Number	Name	Remarks	Qty	Model	Pos	Part Number	Name	Remarks	Qty	Model
-	900 151 028 02	washer B 4,3		2							
-	900 143 134 00	tapping screw BZ 4,2 X 9,5		2							
		- - - E N D - - -									

Model	Year	MG	SG	Illustration	Restrictions	Update	8:52	17.08.2004	PORSCHE	PET	PORSCHE
911	89	8	03	803-00		179					

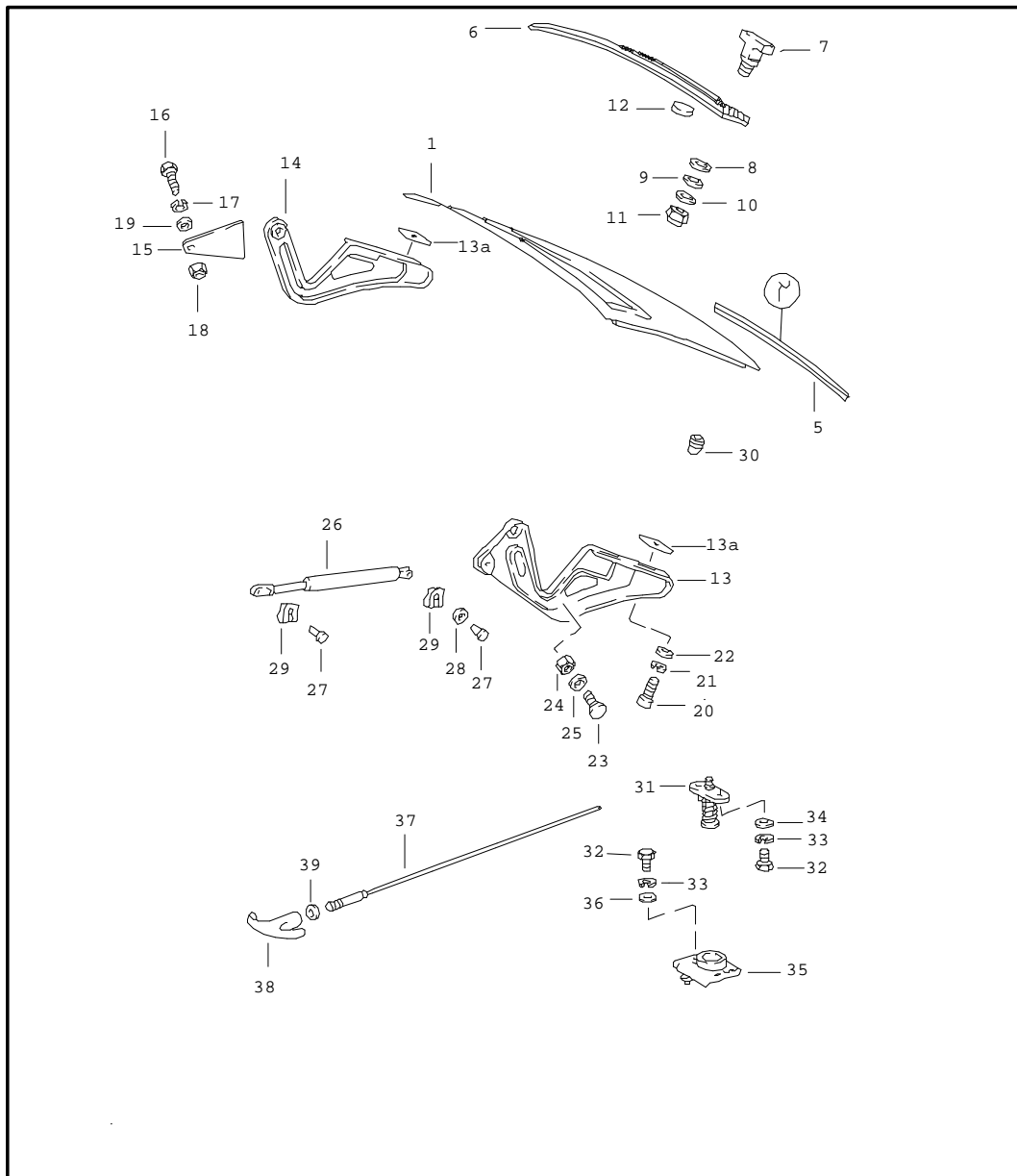


Pos	Part Number	Name	Remarks	Qty	Model
		cover front			
1	911 511 010 01	cover	-88	1	
1	964 511 010 00	cover	89	1	
2	911 511 923 02	sealing frame		1	
3	911 511 127 00	protective rubber		1	TARGA
4	911 511 031 00	hinge	/L	1	
(4)	964 511 031 00	hinge	/L	1	
(4)	911 511 032 00	hinge	/R	1	
(4)	964 511 032 00	hinge	/R	1	
5	900 067 057 02	pan-head screw M 8 X 20		4	
6	900 027 015 02	lock ring B 8		10	
7	900 025 007 02	washer 8,4		10	
8	900 151 008 02	washer 8,4		X	
9	900 075 085 02	hexagon-head bolt M 8 X 20		6	
10	911 511 331 01	gas-filled strut		2	
11	999 166 043 02	bolt		4	
12	911 511 332 00	spacer		2	
13	N 012 645 2	lock		4	
14	999 703 036 50	rubber stop		2	
15	911 511 051 02	lock upper part		1	
16	900 076 010 02	hexagon nut M 6		2	
17	N 012 007 2	lock ring A 6		4	

Model	Year	MG	SG	Illustration	Restrictions	Update	8:52	17.08.2004	PORSCHE	PET	PORSCHE
911	89	8	03	803-00		179					

Pos	Part Number	Name	Remarks	Qty	Model	Pos	Part Number	Name	Remarks	Qty	Model
18	N 011 666 7	washer B 6,4		2							
19	911 511 052 01	lock lower part		1							
20	N 014 743 2	pan-head screw M 6 X 30		2							
21	911 555 085 00	cover for cross panel		1							
21A	999 507 254 02	clamping washer D = 3,0		4							
22	999 703 119 40	plug		2							
23	911 502 725 00	support for		1							
24	911 511 903 00	lock with 2 secondary keys w/o stipulated lock number		1							
24	911 511 904 00	lock with 2 secondary keys state lock number		1							
25	-	see group 8/04/00									
26	N 010 225 4	hexagon-head bolt M 5 X 8		2							
(29)	911 511 037 00	bowden cable		1							
(29)	911 511 037 01	bowden cable		1	M 637						
30	911 511 617 00	spacer sleeve		1	M 637						
31	901 552 813 20	handle		1	M 637						
32	911 511 067 00	clamp		1							
		- - - E N D - - -									

Model	Year	MG	SG	Illustration	Restrictions	Update	8:52	17.08.2004	PORSCHE	PET	PORSCHE
911	89	8	03	803-05		179					

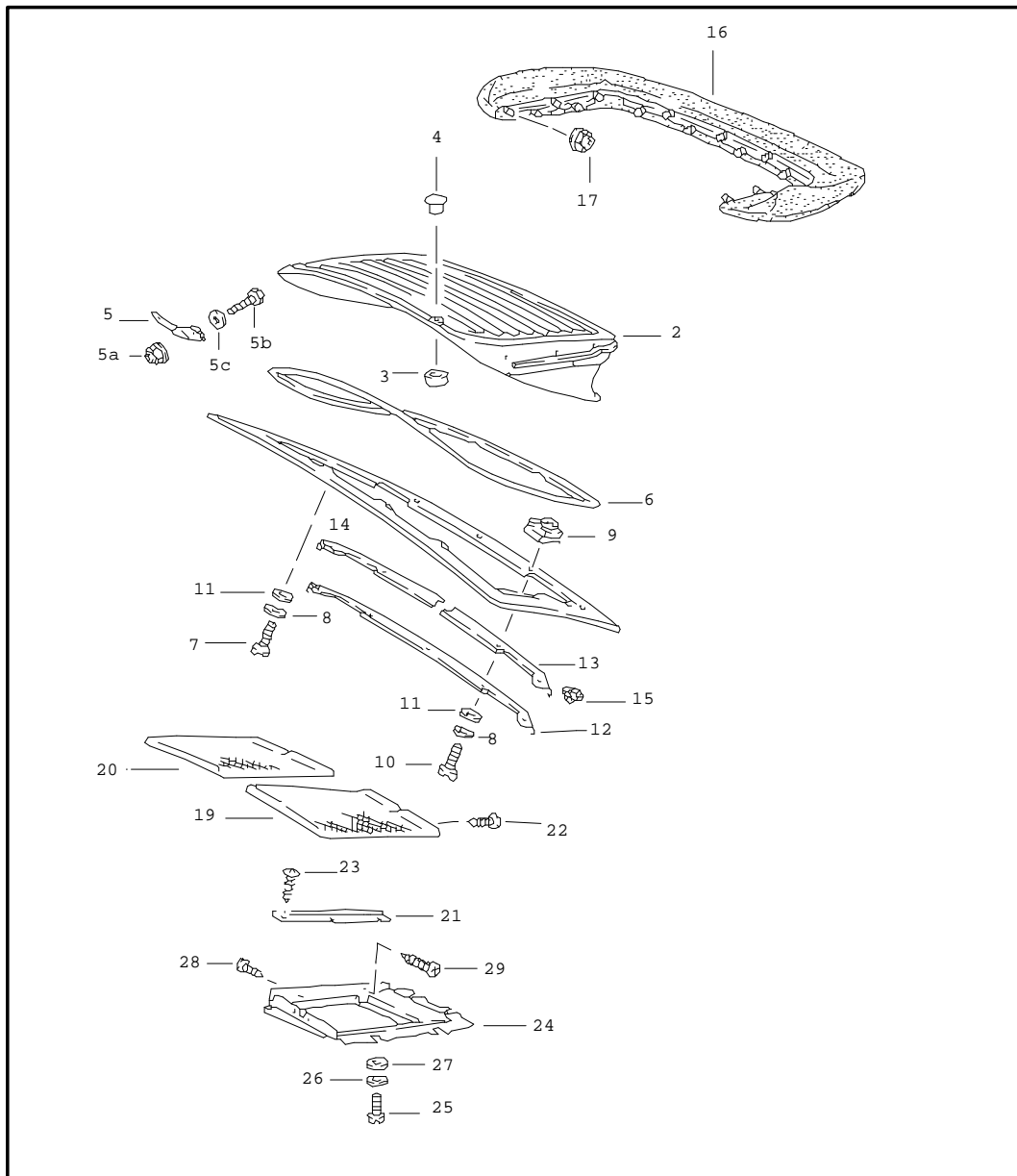


Pos	Part Number	Name	Remarks	Qty	Model
		cover rear			
1	911 512 010 65	cover		1	CARRERA
(1)	930 512 010 09	cover		1	TURBO
(1)	930 512 010 08	cover		1	TURBO
5	911 512 129 01	gasket		1	
6	911 559 411 00	ventilation grille		1	CARRERA
7	911 559 433 00	t-headed screw		6	CARRERA
(7)	911 559 433 01	t-headed screw		2	M 559
8	911 559 435 00	spacer		6	CARRERA
9	113 951 539	washer		6	CARRERA
10	N 011 665 3	washer A 5,3		6	CARRERA
11	900 910 009 02	lock nut NM 5		6	CARRERA
(11)	900 034 006 02	hexagon nut B M5		2	M 559
12	911 559 151 01	base		6	CARRERA
13	911 512 035 00	hinge	/L	1	
13A	999 025 098 02	washer D=9		X	
14	901 512 036 20	hinge	/R	1	CARRERA
(14)	930 512 036 00	lid hinge	/R	1	TURBO/M 473 CARRERA M 491
15	930 512 039 00	fastening plate		1	M 473/TURBO/ CARRERA M 491
16	900 075 016 02	hexagon-head bolt M 6 X 22		1	M 473 CARRERA M491
17	N 012 226 5	spring washer B 6		1	M 473 CARRERA M 491

Model	Year	MG	SG	Illustration	Restrictions	Update	8:52	17.08.2004	PORSCHE	PET	PORSCHE
911	89	8	03	803-05		179					

Pos	Part Number	Name	Remarks	Qty	Model	Pos	Part Number	Name	Remarks	Qty	Model
18	900 076 010 02	hexagon nut M 6		1	M 473 CARRERA M 491	33	N 012 006 4	lock ring B 6		4	
19	N 011 524 7	washer 6,4		1	M 473 CARRERA M 491	34	N 011 666 7	washer B 6,4		2	
20	900 067 011 02	pan-head screw M 6 X 20		4		35	901 512 052 00	lock lower part		1	
21	N 012 006 4	lock ring B 6		4		36	A 900 025 028 02	washer B 6,4		2	
22	N 011 666 7	washer B 6,4		4		37	901 511 073 20	lid-release cable		1	
23	901 512 471 20	bolt		2		38	901 552 813 20	handle		1	
24	900 910 023 02	lock nut M 8		2		39	911 512 531 00	grommet for lid lock		1	
25	900 025 007 02	washer A 8,4		2		-	999 651 152 02	cable clamp		X	
26	911 512 331 01	gas-filled strut		1	CARRERA			- - - E N D - - -			
(26)	911 512 331 02	gas-filled strut		2	TURBO CARRERA M 473/491						
27	999 166 043 02	bolt		2							
28	911 511 332 00	spacer		1							
29	N 012 645 2	lock		2							
29	N 012 645 2	lock		3	M 473						
30	999 703 140 40	rubber buffer		2							
31	930 512 052 00	lock upper part		1	CARRERA						
(31)	930 512 052 00	lock upper part		1	TURBO/M 473 CARRERA M 491						
32	900 075 162 02	hexagon-head bolt M 6 X 16		2	CARRERA						
(32)	N 010 217 9	hexagon-head bolt M 6 X 20		2	TURBO						

Model	Year	MG	SG	Illustration	Restrictions	Update	8:52	17.08.2004	PORSCHE	PET	PORSCHE
911	89	8	03	803-10		179					

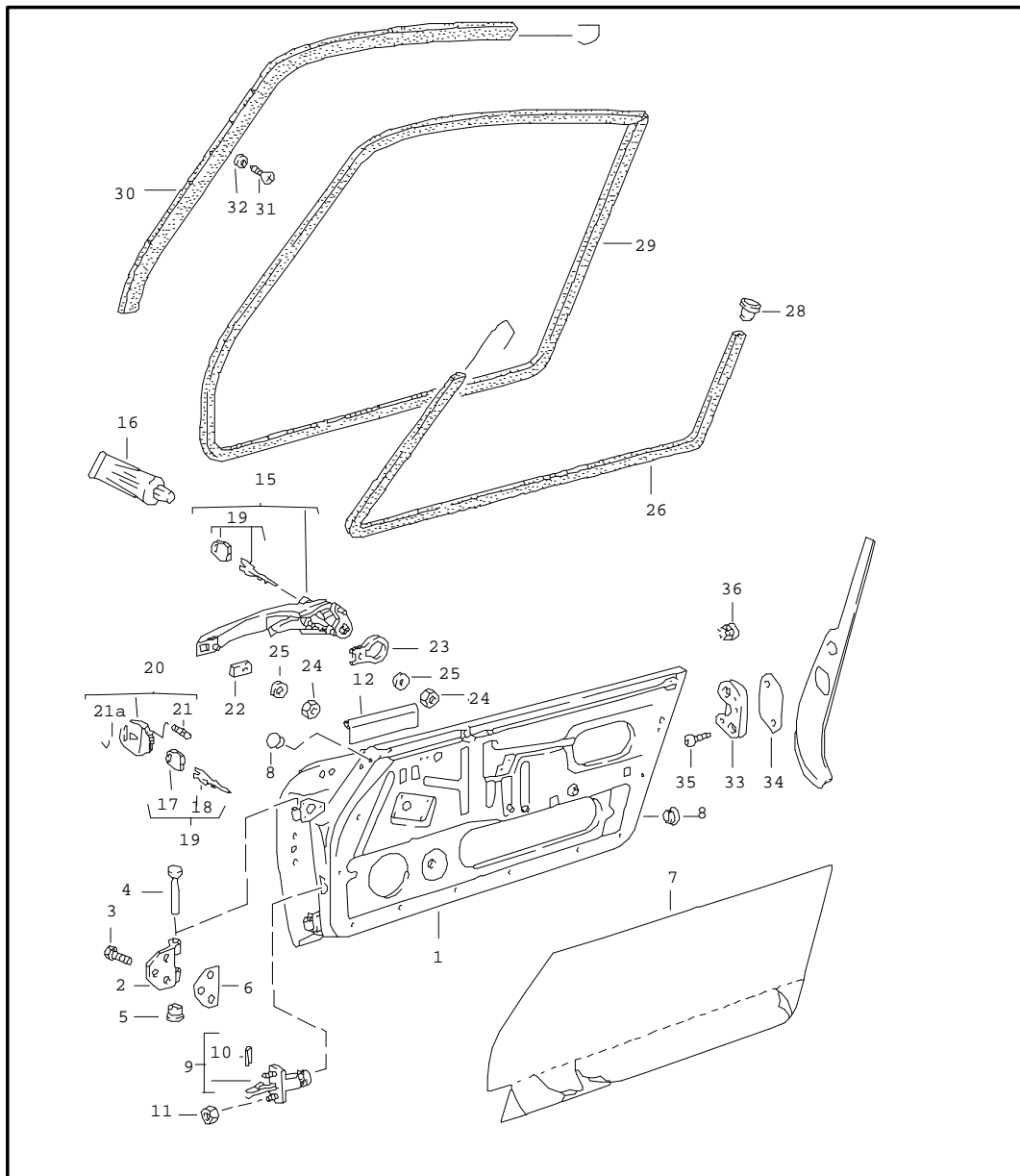


Pos	Part Number	Name	Remarks	Qty	Model
-	911 512 909 00	rear spoiler installation set rear spoiler for subsequent installat. only together with		1	CARRERA M 473
-	911 503 995 00	installation set front spoiler		1	
-	930 512 901 00	installation set rear spoiler for subsequent installat. only together with		1	CARRERA TURBO OPTIK
-	911 503 995 00	installation set front spoiler		1	
2	930 512 023 00	rear spoiler		1	TURBO, M 491
(2)	911 512 043 00	rear spoiler		1	M 473
4	999 703 169 40	cap		1	
5	930 512 253 01	angle		3	TURBO CARRERA M 047
(5)	930 512 257 00	angle	/L	1	
(5)	930 512 258 00	angle	/R	1	
5A	999 084 076 02	lock nut M 4		10	
5B	N 040 226 2	hexagon-head bolt M 4 X 15		10	
5C	900 025 002 02	washer A 4,3		10	
6	930 512 215 00	pipng		1	TURBO, M 491
6	911 512 215 00	pipng		1	M 473
7	N 014 765 2	pan-head screw M 6 X 10		3	
8	N 012 226 5	spring washer A 6		5	
9	999 507 328 02	captive nut M 6		5	

Model	Year	MG	SG	Illustration	Restrictions	Update	8:52	17.08.2004	PORSCHE	PET	PORSCHE
911	89	8	03	803-10		179					

Pos	Part Number	Name	Remarks	Qty	Model	Pos	Part Number	Name	Remarks	Qty	Model
10	900 119 091 02	pan-head screw M 6 X 15		7		27	N 011 666 7	washer B 6,4		4	
11	N 011 666 7	washer 6,4		10		28	900 143 124 07	tapping screw 3,5 X 13		2	
12	930 512 281 00	rail		1	TURBO,M 491	29	900 146 053 07	oval-head screw M 4 X 18		2	
13	911 512 289 00	rail	/L	1	M 473						
14	911 512 290 00	rail	/R	1	M 473						
15	999 703 013 50	plug		2							
16	930 512 021 00	polyuret. rim for spoiler		1	TURBO,M 491						
(16)	911 512 091 00	polyuret. rim for spoiler		1	M 473						
(17)	999 084 074 02	lock nut		9	M 473						
(17)	999 084 075 02	lock nut		10	M 473						
(17)	999 084 075 02	lock nut M 6		17	M 491						
19	930 512 031 00	grille	/L	1	TURBO						
(19)	911 512 231 00	perforated plate	/L	1	M 473/491						
20	930 512 032 00	grille	/R	1	TURBO						
(20)	911 512 232 00	perforated plate	/R	1	M 473/491						
21	930 512 175 00	angular plate		2							
22	900 143 124 07	tapping screw 3,5 X 13		2							
23	900 143 114 07	tapping screw 3,5 X 9,5		6							
24	930 512 241 00	air duct		1	TURBO						
(24)	930 123 907 00	air duct		1	TURBO M 148						
(24)	911 512 037 00	air baffle	/L	1	M 473/491						
(24)	911 512 038 00	air baffle	/R	1	M 473/491						
25	N 014 765 2	pan-head screw M 6 X 10		4							
26	N 012 226 5	spring washer A 6		4							

Model	Year	MG	SG	Illustration	Restrictions	Update	8:53	17.08.2004	PORSCHE	PET	PORSCHE
911	89	8	04	804-00		179					



Pos	Part Number	Name	Remarks	Qty	Model
		accessories doors			
1	911 531 005 23	bare door shell	/L	1	
(1)	911 531 006 09	bare door shell	/R	1	
(1)	911 531 005 62	bare door shell	/L 89	1	SPEEDSTER
(1)	911 531 006 62	bare door shell	/R 89	1	SPEEDSTER
2	901 531 303 21	hinge arm		4	
3	999 093 010 02	hexagon-head bolt M 8 X 20		12	
4	901 531 305 20	pin for door hinge		4	
5	901 531 311 20	bush		8	
6	901 531 391 20	desk pad		4	
(7)	911 531 889 00	seal	/L -88	1	
(7)	911 531 889 00	seal	/L 89-	1	
7	911 531 890 00	seal	/R -88	1	
7	911 531 890 00	seal	/R 89-	1	
8	999 703 119 40	plug		X	
(8)	999 703 345 40	cap oval 57 X 22 X 64		4	
(8)	999 703 344 40	cap round 22 X 28 X 4,7		2	
9	A 911 531 057 02	door arrester		2	
(9)	964 537 057 00	door arrester		2	
(9)	964 537 057 00	door arrester		2	
(9)	911 531 057 04	door arrester		2	SPEEDSTER
10	900 309 032 02	spiral clamping pin		2	
(10)	911 531 275 00	bolt		2	
-	999 166 008 02	safety clip 6		2	

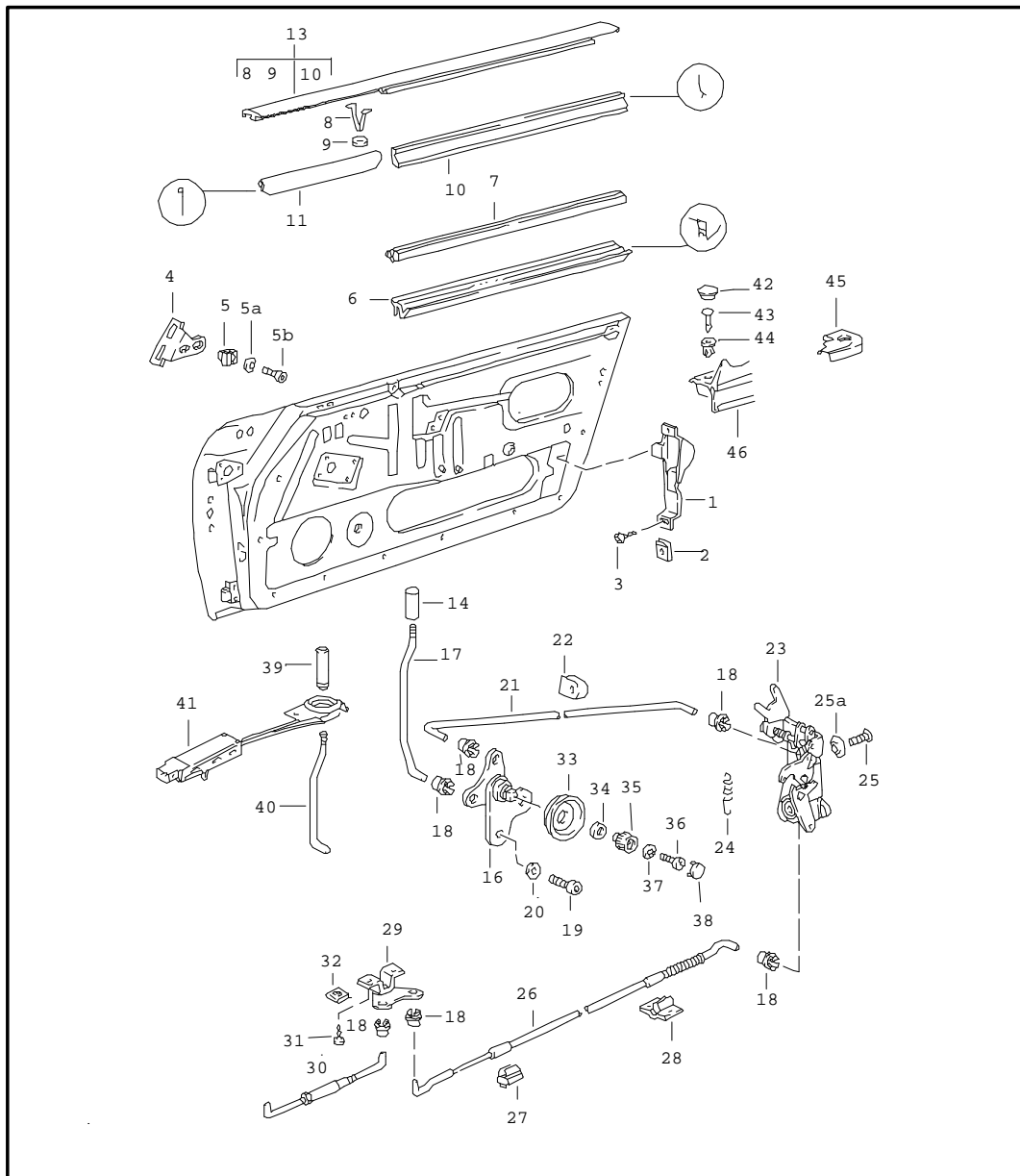
Model	Year	MG	SG	Illustration	Restrictions	Update	8:53	17.08.2004	PORSCHE	PET	PORSCHE
911	89	8	04	804-00		179					

Pos	Part Number	Name	Remarks	Qty	Model	Pos	Part Number	Name	Remarks	Qty	Model
11	900 910 012 02	lock nut M 6		4		21	928 537 630 02	bulb E 5,5		1	
(11)	999 072 005 09	hexagon-head bolt M 6 X 12		4		21A	944 538 443 00	emblem		2	
11A	N 011 524 7	washer A 6,4		4		22	911 531 631 00	desk pad		2	
12	911 531 297 00	01C piping satin black		2	COUPE	23	911 531 632 00	desk pad		2	
(12)	911 531 297 40	01C piping satin black		2	TARGA/ CABRIO	24	900 910 008 02	lock nut M 5		4	
(15)	911 538 941 07	outer door handle with lock cylinder and two spare keys w/o stipulated lock number	/L	1		25	900 025 003 02	washer A 5,3		4	
(15)	911 538 941 06	outer door handle with lock cylinder and two spare keys state lock number	/L	1		26	911 531 095 40	door sealing	-88	2	TARGA/CABRIO
(15)	911 538 942 07	outer door handle with lock cylinder and two spare keys w/o stipulated lock number	/R	1		(26)	911 531 095 40	door sealing	89	2	TARGA/CABRIO /SPEEDSTER
(15)	911 538 942 06	outer door handle with lock cylinder and two spare keys state lock number	/R	1		28	911 531 523 65	cap	/H	2	CABRIO
16	000 043 204 21	grease for lock cylinder		X		(28)	911 531 537 00	sealing rubber	/L/V 89	1	SPEEDSTER
17	944 538 431 00	key cap		1		(28)	911 531 538 00	sealing rubber	/R/V 89	1	SPEEDSTER
18	911 538 903 00	blank key		1		29	911 531 095 02	door sealing	-88	2	COUPE
19	911 538 902 00	replacement key with key cap state lock number		1		(29)	911 531 095 02	door sealing	89	2	COUPE
20	944 538 041 00	key lamp complete		1		30	911 542 403 03	sealing rail	/L	1	COUPE
						30	911 542 404 03	sealing rail	/R	1	COUPE
						31	900 145 081 00	tapping screw B 2,9 X 6,5 F >>91JS1 02525 F >>91JS1 05120 F >>91JS1 09893 F >>93JS0 00495	E E M637 E (J) E	30	COUPE CARRERA COUP CARRERA COUP CARRERA COUP TURBO COUP
						32	999 591 009 12	washer 3,5 MS F >>91JS1 02525 F >>91JS1 05120 F >>91JS1 09893 F >>93JS0 00495	E E M637 E (J) E	30	COUPE CARRERA COUP CARRERA COUP CARRERA COUP TURBO COUP
						-	999 190 204 00	rivet 3,2 X 8 F 91JS1 02526>> F 91JS1 05121>> F 91JS1 09894>> F 93JS0 00496>>	E E M637 E (J) E	26	CARRERA COUP CARRERA COUP CARRERA COUP TURBO COUP

Model	Year	MG	SG	Illustration	Restrictions	Update	8:53	17.08.2004	PORSCHE	PET	PORSCHE
911	89	8	04	804-00		179					

Pos	Part Number	Name	Remarks	Qty	Model	Pos	Part Number	Name	Remarks	Qty	Model
(33)	993 531 029 00	door lock striker	/L	1							
33	993 531 030 00	door lock striker	/R	1							
34	901 531 703 23	desk pad 1 MM		X							
(34)	901 531 703 24	desk pad 2 MM		X							
35	999 219 008 00	countersunk-head screw M 8 X 40		4							
36	911 531 243 00	plug for cars without alarm system	/L -88	1							
		- - - E N D - - -									

Model	Year	MG	SG	Illustration	Restrictions	Update	8:53	17.08.2004	PORSCHE	PET	PORSCHE
911	89	8	04	804-05		179					



Pos	Part Number	Name	Remarks	Qty	Model
		installation parts doors			
(1)	911 537 335 00	cover	/L	1	CARRERA
(1)	911 537 355 00	cover	/L	1	M 341
1	911 537 336 00	cover	/R	1	CARRERA
(1)	911 537 356 00	cover for door lock	/R	1	M 341
2	N 015 438 1	speed nut B 3,5		5	
3	900 144 028 07	tapping screw B 3,5 X 13		5	
(4)	911 555 821 00	bracket	/L	1	
4	911 555 822 00	bracket for cover strip	/R	1	
5	999 591 498 40	special nut B 4,2/4,8		4	
5A	N 011 524 7	washer A 6,4		4	
5B	900 119 064 02	pan-head screw M 6 X 15		4	
6	911 531 951 01	sealing for door slot		2	
(6) A	911 531 391 00	sealing for door slot		2	SPEEDSTER
(6)	911 531 391 01	sealing for door slot	/L	1	SPEEDSTER
(6)	911 531 392 01	sealing for door slot inner	/R	1	SPEEDSTER
(7)	901 531 935 20	sealing for door slot	/L	1	COUPE
(7)	911 531 295 40	sealing for door slot	/L	1	TARGA/ CABRIO
7	901 531 936 20	sealing for door slot	/R	1	COUPE
(7)	911 531 296 40	sealing for door slot	/R	1	TARGA/ CABRIO
8	999 591 326 02	moulding clip		14	

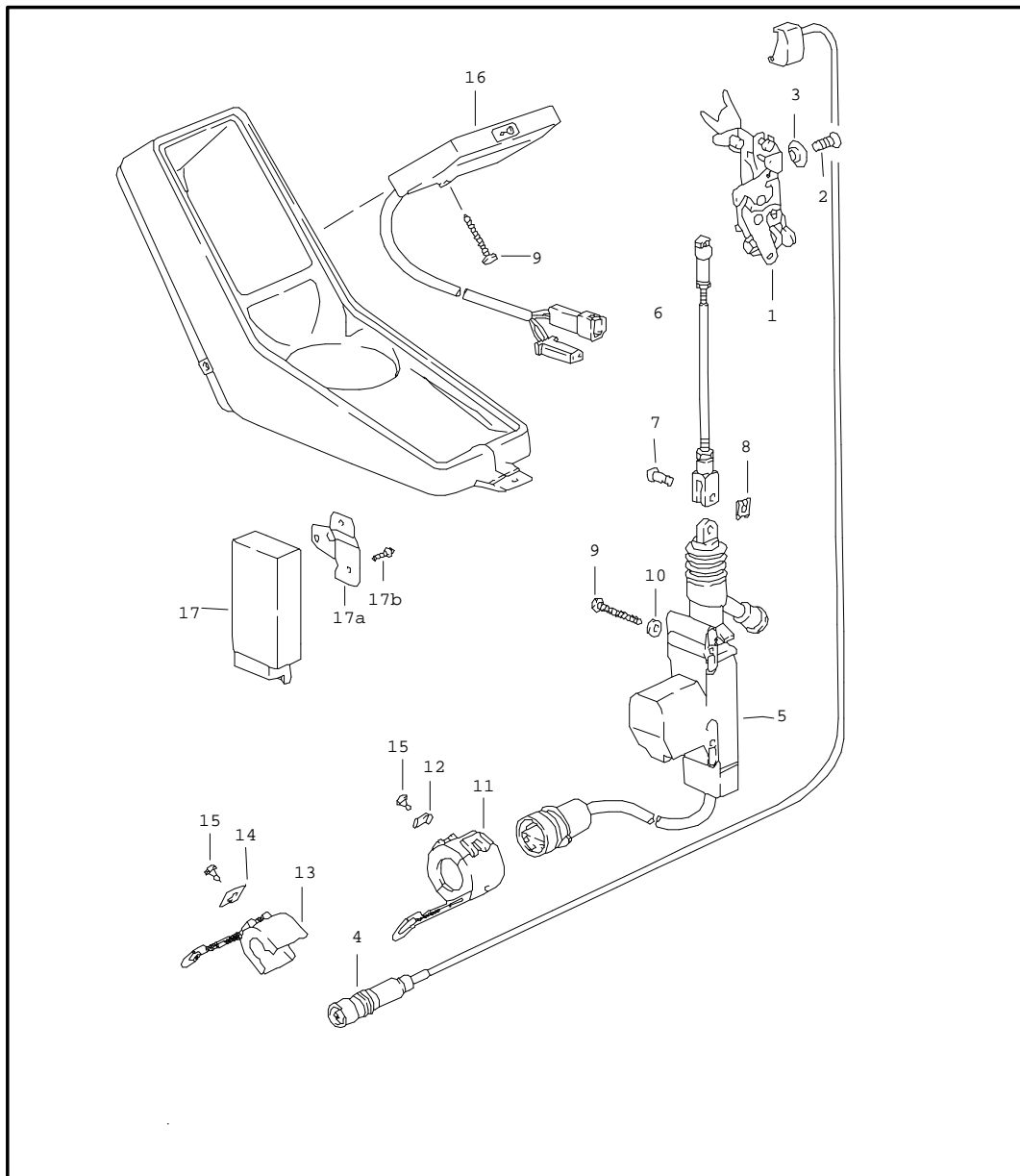
Model	Year	MG	SG	Illustration	Restrictions	Update	8:53	17.08.2004	PORSCHE	PET	PORSCHE
911	89	8	04	804-05		179					

Pos	Part Number	Name	Remarks	Qty	Model	Pos	Part Number	Name	Remarks	Qty	Model
9	911 531 309 00	ring		14		(17)	911 531 707 01	rod for push-button	/L -87	1	
(10)	911 531 931 02	sealing	/L	1	COUPE	(17)	911 531 707 01	rod for push-button	/L	1	SPEEDSTER
(10)	911 531 931 42	sealing	/L	1	TARGA/ CABRIO	17	911 531 708 01	rod for push-button	/R -87	1	
10	911 531 932 02	sealing	/R	1	COUPE	17	911 531 708 01	rod for push-button	/R	1	SPEEDSTER
(10)	911 531 932 42	sealing	/R	1	TARGA/ CABRIO	18	993 531 563 00	linkage clip		10	
11	901 531 933 20	sealing		2		19	900 186 147 02	pan-head screw M 6 X 10		4	
(11)	911 531 297 00	pipng		2	COUPE	20	N 012 226 5	spring washer B 6		4	
	01C	black				21	911 531 562 01	connecting rod		2	
11	911 531 297 40	pipng		2	TARGA/CABRIO	22	911 531 599 00	rubber mounting		4	
	01C	satin black				(23)	964 531 053 01	door lock with antishutout-mechanism	/LL/L	1	
(13)	911 531 041 30	moulding	/L	1	COUPE	(23)	964 531 053 00	door lock without antishutout mechan	/RL/L	1	
	70K	black				(23)	964 531 054 00	door lock without antishutout mechan	/LL/R	1	
13	911 531 042 30	moulding	/R	1	COUPE	(23)	964 531 054 01	door lock with antishutout-mechanism	/RL/R	1	
	70K	black				24	993 531 165 00	tension spring		2	
(13)	911 531 041 50	moulding	/L	1	TARGA/ CABRIO	25	999 219 009 00	countersunk-head screw micro-self-locking AM 6 X 16		6	
	70K	black				25A	999 591 118 02	cone washer 6,5 90 DEG		6	
(13)	911 531 042 50	moulding	/R	1	TARGA/ CABRIO	26	911 531 509 01	bowden cable		2	
	70K	black				27	911 531 097 00	support	/V	2	
(13)	911 531 041 60	moulding	/L	1	CABRIO M 070	28	911 531 099 00	support	/H	2	
	70K	black				29	993 531 083 00	relay lever	/L	1	
(13)	911 531 042 60	moulding	/R	1	CABRIO M 070	29	993 531 084 00	relay lever	/R	1	
	70K	black				30	911 531 091 01	pull rod		2	
14	928 555 359 02	knob	-88	2							
(14)	928 555 359 02	knob		2	SPEEDSTER						
(16)	911 531 075 02	mounting for push-button	/L	1							
16	911 531 076 02	mounting for push-button	/R	1							

Model	Year	MG	SG	Illustration	Restrictions	Update	8:53	17.08.2004	PORSCHE	PET	PORSCHE
911	89	8	04	804-05		179					

Pos	Part Number	Name	Remarks	Qty	Model	Pos	Part Number	Name	Remarks	Qty	Model
31	N 014 086 4	tapping screw B 3,5 X 13		4				- - - E N D - - -			
32	999 507 009 02	speed nut B 3,5		4							
33	928 537 585 02	bearing shell		2							
34	911 531 705 00	spacer ring		2	TURBO						
35	928 537 581 03	rotary knob AM 5 X 12		2							
36	999 218 010 02	oval-head screw micro-self-locking M 5 X 12		2							
37	900 116 005 02	lock washer 7		2							
38	911 531 703 00	cap		2							
39	928 637 138 00	knob	89-	2							
	01C	satin black with diode									
(40)	911 531 707 02	rod for push-button	/L 88-	1							
40	911 531 708 02	rod for push-button	/R 88-	1							
41	911 637 137 00	coil	89-	2							
42	999 703 367 40	plug		4	SPEEDSTER						
43	N 013 961 2	tapping screw 3,9 X 13		4	SPEEDSTER						
44	999 591 934 40	expander nut		4	SPEEDSTER						
(45)	911 531 821 00	cap	/L/H	1	SPEEDSTER						
	01C	black									
45	911 531 822 00	cap	/R/H	1	SPEEDSTER						
	01C	black									
(46)	911 531 279 00	sealing outer	/L	1	SPEEDSTER						
46	911 531 280 00	sealing outer	/R	1	SPEEDSTER						

Model	Year	MG	SG	Illustration	Restrictions	Update	8:53	17.08.2004	PORSCHE	PET	PORSCHE
911	89	8	04	804-06		179					

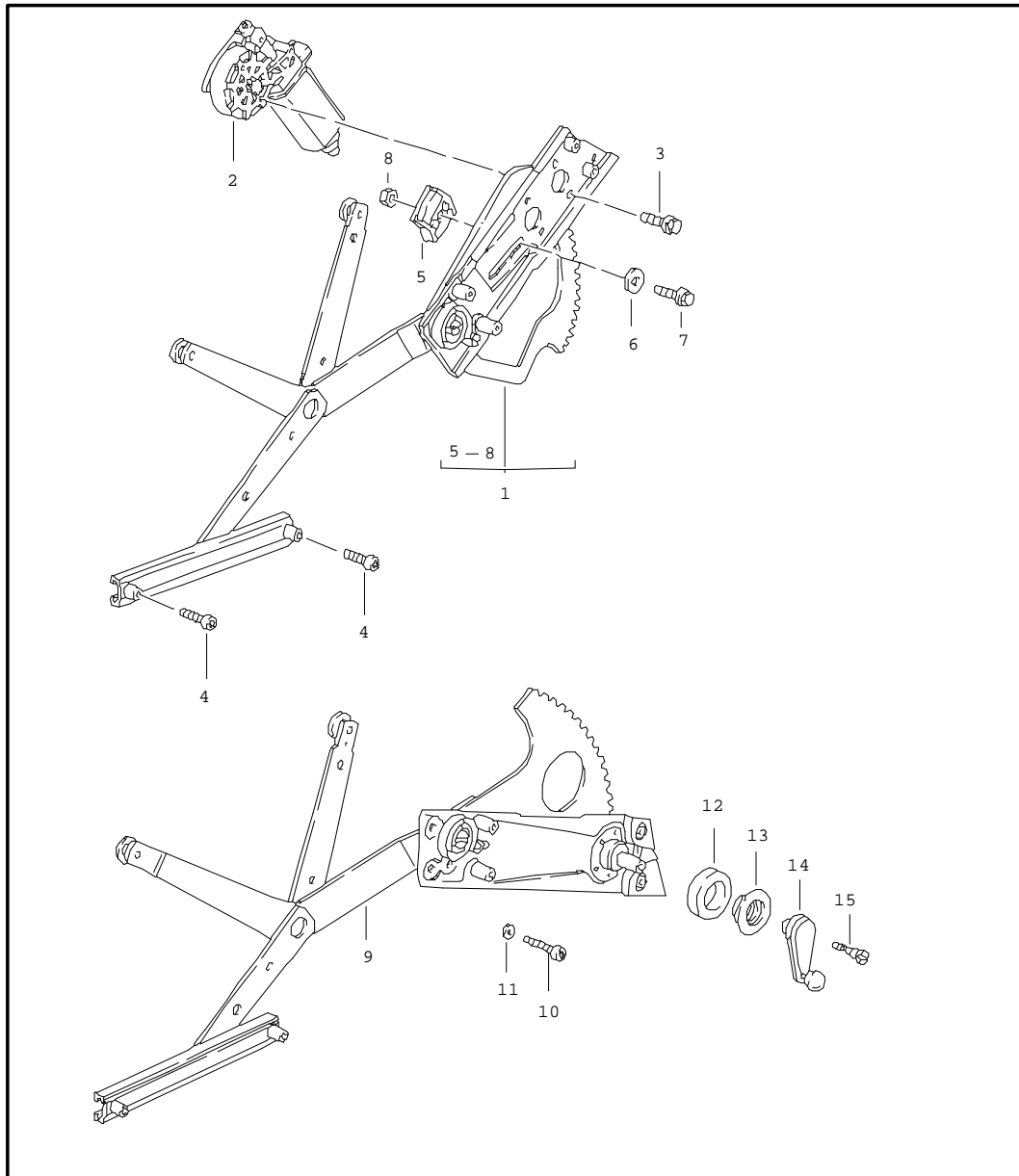


Pos	Part Number	Name	Remarks	Qty	Model
		central locking system			
1	964 531 053 03	door lock with antishutout-mechanism	/LL/L	1	
(1)	964 531 053 02	door lock without antishutout mechan	/RL/L	1	
(1)	964 531 054 02	door lock without antishutout mechan	/LL/R	1	
(1)	964 531 054 03	door lock with antishutout-mechanism	/RL/R	1	
2	999 219 009 00	countersunk-head screw micro-self-locking AM 6 X 16		6	
3	999 591 118 02	cone washer 6,5 90 DEG		6	
4	964 613 134 00	microswitch		2	
-	911 531 621 00	cable holder		2	
-	900 278 001 00	countersunk-head screw M 2,5 X 6		2	
5	911 624 211 01	element	-88	2	
(5)	944 624 211 00	element	89-	1	
6	964 537 571 00	operating rod		2	
7	N 100 438 01	bolt		2	
8	N 012 644 1	lock		2	
9	999 141 018 02	half-round screw		5	
10	900 151 001 02	washer		4	
11	944 612 450 01	support		2	
12	999 591 711 02	speed nut		2	
13	944 612 420 00	locking device		2	
14	999 591 351 02	speed nut		2	
15	N 013 956 7	tapping screw BZ 3,5 X 6,5		4	

Model	Year	MG	SG	Illustration	Restrictions	Update	8:53	17.08.2004	PORSCHE	PET	PORSCHE
911	89	8	04	804-06		179					

Pos	Part Number	Name	Remarks	Qty	Model	Pos	Part Number	Name	Remarks	Qty	Model
16	911 613 609 01	acknowledgement buttons		1							
	01C	black									
17	911 618 029 00	control unit	-88	1							
(17)	911 618 113 01	control unit	89-	1							
17A	911 618 229 02	support		1							
17B	999 919 032 02	oval-head screw		1							
		- - - E N D - - -									

Model	Year	MG	SG	Illustration	Restrictions	Update	8:53	17.08.2004	PORSCHE	PET	PORSCHE
911	89	8	04	804-10		179					

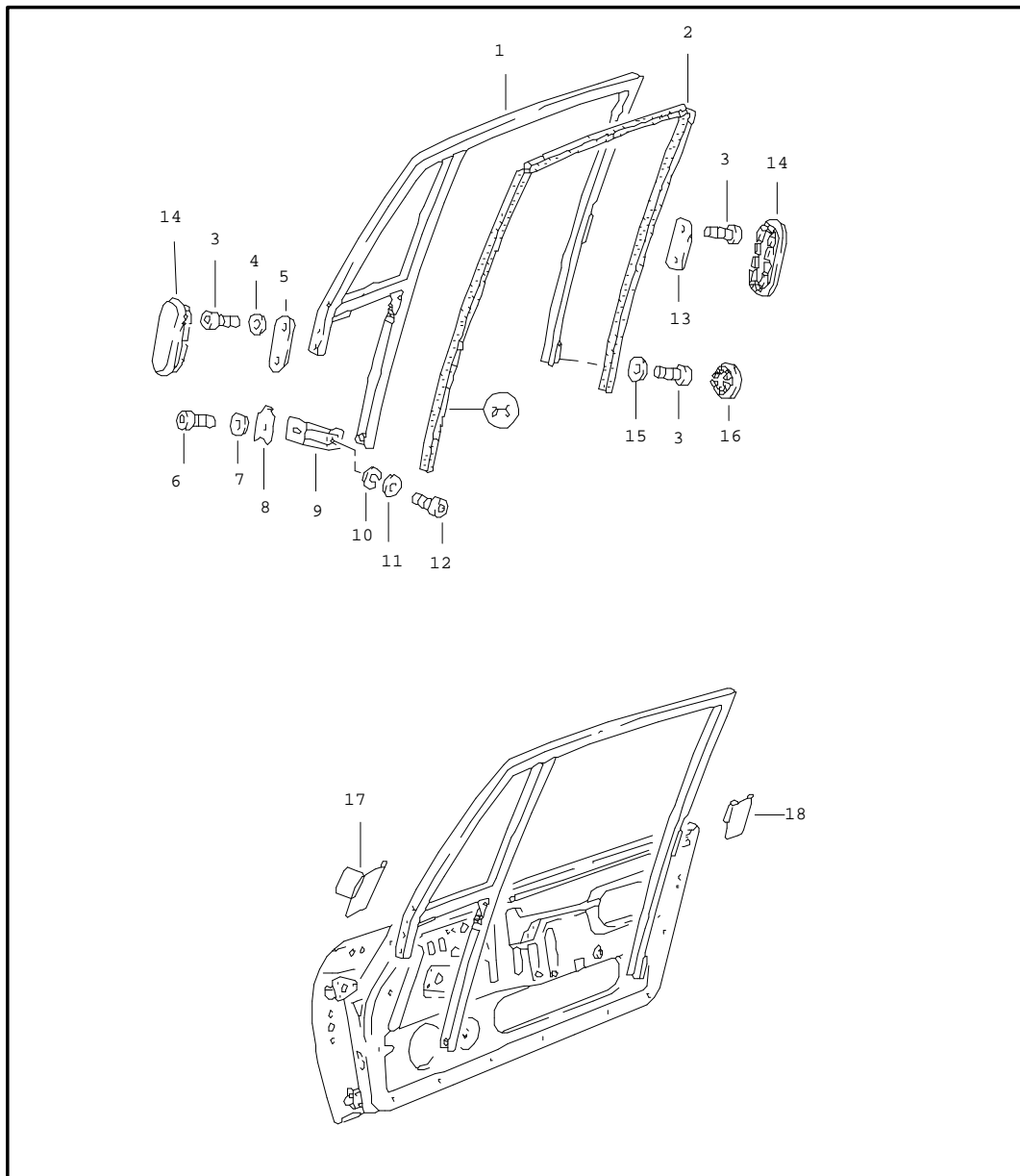


Pos	Part Number	Name	Remarks	Qty	Model
		power windows			
1	911 542 935 44	cross-arm	/L 87	1	
1	911 542 935 46	cross-arm	/L 88-	1	
(1)	911 542 936 44	cross-arm	/R 87	1	
(1)	911 542 936 46	cross-arm	/R 88-	1	
2	911 624 015 41	motor	/L 87	1	
2	911 624 015 43	motor	/L 88-	1	
(2)	911 624 014 41	motor	/R 87	1	
(2)	911 624 014 43	motor	/R 88-	1	
3	999 217 028 02	hexagon-head bolt M 6 X 16		6	
(3)	999 919 073 02	screw 53 X 28/20		6	
4	999 218 016 02	screw micro-self-locking M 6 X 16		12	
5	911 542 231 41	stop M 8	/L	1	
(5)	911 542 232 41	stop M 8	/R	1	
7	999 217 043 08	hexagon-head bolt M 8 X 16		2	
8	N 011 008 20	hexagon nut M 8		2	
9	911 542 929 03	cross-arm	/L	1	COUPE M 637
(9)	911 542 041 03	cross-arm	/L	1	SPEEDSTER M 503
(9)	911 542 930 03	cross-arm	/R	1	COUPE M 637
(9)	911 542 042 03	cross-arm	/R	1	SPEEDSTER M 503
10	N 014 761 2	pan-head screw M 6 X 12		12	M 637/503

Model	Year	MG	SG	Illustration	Restrictions	Update	8:53	17.08.2004	PORSCHE	PET	PORSCHE
911	89	8	04	804-10		179					

Pos	Part Number	Name	Remarks	Qty	Model	Pos	Part Number	Name	Remarks	Qty	Model
11	N 011 524 7	washer A 6,4		12	M 637/503						
12	901 542 495 20	sealing ring		2	M 637/503						
13	901 552 891 20	rose		2	M 637/503						
14	959 542 115 01	window crank		2	COUPE M 637 SPEEDSTER						
	3DL	black									
15	911 542 475 00	conical screw		2	M 637/503						
		- - - E N D - - -									

Model	Year	MG	SG	Illustration	Restrictions	Update	8:53	17.08.2004	PORSCHE	PET	PORSCHE
911	89	8	04	804-15		179					



Pos	Part Number	Name	Remarks	Qty	Model
		door glass frame			COUPE
(1)	911 542 029 01	door glass frame F >>91KS1 03182 F >>93KS0 00537	/L	1	CARRERA TURBO
		70K black			
(1)	911 542 029 02	door glass frame F 91KS1 03183>> F 93KS0 00538>>	/L	1	CARRERA TURBO
		70K black			
1	911 542 030 01	door glass frame F >>91KS1 03182 F >>93KS0 00537	/R	1	CARRERA TURBO
		70K black			
(1)	911 542 030 02	door glass frame F 91KS1 03183>> F 93KS0 00538>>	/R	1	CARRERA TURBO
		70K black			
2	911 542 905 00	window guide M 8 X 16		2	
3	999 218 008 02	pan-head screw M 8 X 12 micro-self-locking		10	
4	900 025 007 02	washer A 8,4 X 16 X 1,6 F >>91JS1 02788 F >>91JS1 09907 F >>91JS1 05128 F >>93JS0 00554	E E (J) E M637	4	CARRERA COUP CARRERA COUP CARRERA COUP TURBO COUPE
5	911 542 236 00	plate F 91JS1 02789>> F 91JS1 09908>> F 91JS1 05129>> F 93JS0 00555>>	E E (J) E M637	2	CARRERA COUP CARRERA COUP CARRERA COUP TURBO COUPE
6	900 119 052 02	pan-head screw M 8 X 16 F >>91JS1 02788 F >>91JS1 09907 F >>91JS1 05128 F >>93JS0 00554	E E (J) E M637	2	CARRERA COUP CARRERA COUP CARRERA COUP TURBO COUPE

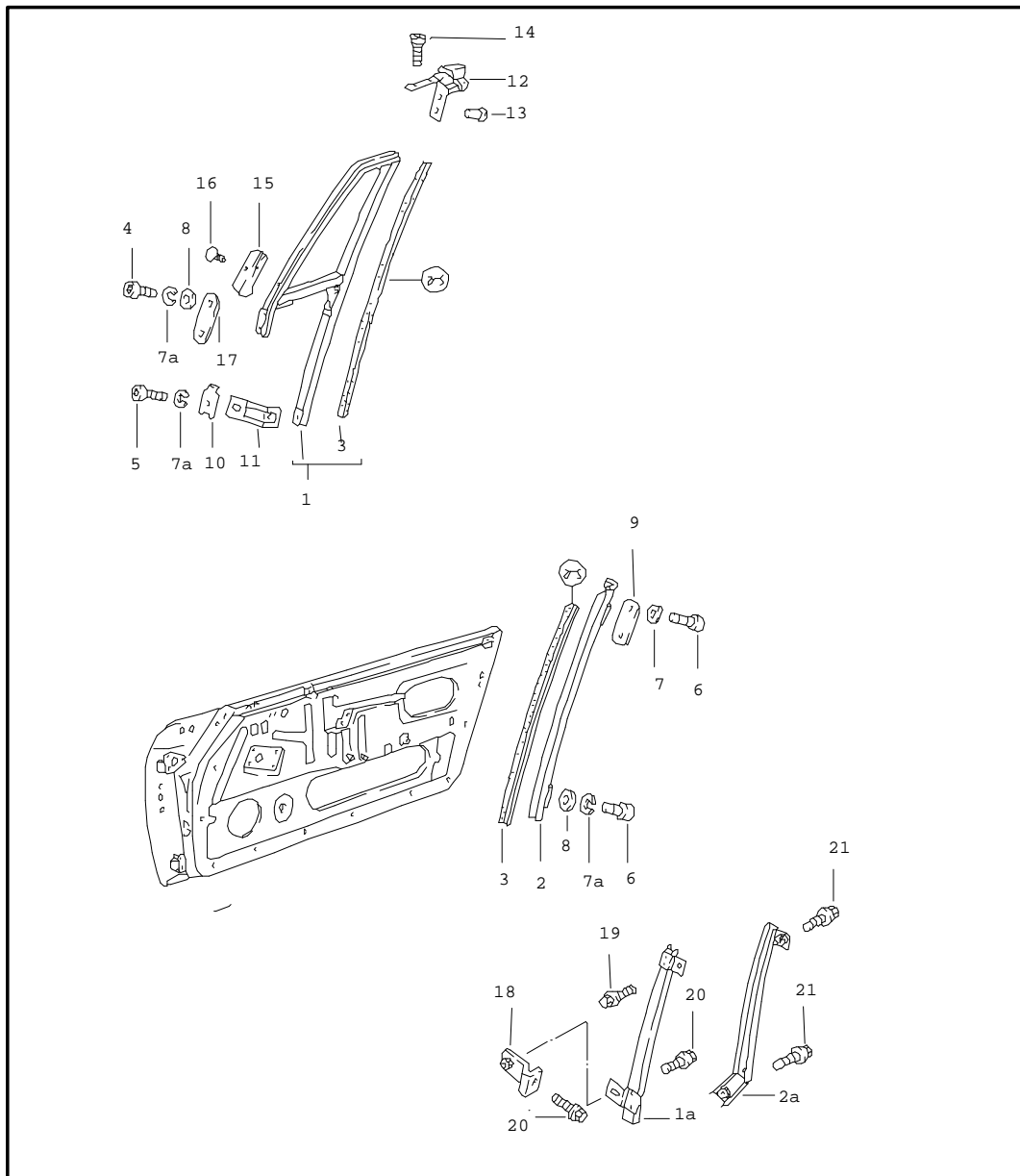
Model	Year	MG	SG	Illustration	Restrictions	Update	8:53	17.08.2004	PORSCHE	PET	PORSCHE
911	89	8	04	804-15		179					

Pos	Part Number	Name	Remarks	Qty	Model	Pos	Part Number	Name	Remarks	Qty	Model
(6)	999 218 008 02	pan-head screw M 8 X 12 micro-self-locking F 91JS1 02789>> F 91JS1 09908>> F 91JS1 05129>> F 93JS0 00555>>	E E (J) E M637	2	CARRERA COUP CARRERA COUP CARRERA COUP TURBO COUPE	13	911 542 237 00	plate F 91JS1 02789>> F 91JS1 09908>> F 91JS1 05129>> F 93JS0 00555>>	E E (J) E M637	2	CARRERA COUP CARRERA COUP CARRERA COUP TURBO COUPE
7	900 027 015 02	lock ring B 8 F >>91JS1 02788 F >>91JS1 09907 F >>91JS1 05128 F >>93JS0 00554	E E (J) E M637	2	CARRERA COUP CARRERA COUP CARRERA COUP TURBO COUPE	(14)	999 703 119 40	plug F >>91JS1 02788 F >>91JS1 09907 F >>91JS1 05128 F >>93JS0 00554	E E (J) E M637	8	CARRERA COUP CARRERA COUP CARRERA COUP TURBO COUPE
8	901 542 252 25	desk pad		2		14	999 703 345 40	cap oval 57 X 22 X 64 F 91JS1 02789>> F 91JS1 09908>> F 91JS1 05129>> F 93JS0 00555>>	E E (J) E M637	4	CARRERA COUP CARRERA COUP CARRERA COUP TURBO COUPE
9	911 542 061 00	retaining bracket		2							
10	N 012 006 4	lock ring B 6 F >>91JS1 02788 F >>91JS1 09907 F >>91JS1 05128 F >>93JS0 00554	E E (J) E M637	2	CARRERA COUP CARRERA COUP CARRERA COUP TURBO COUPE	15	900 025 007 02	washer A 8,4 X 16 X 1,6 F >>91JS1 02788 F >>91JS1 09907 F >>91JS1 05128 F >>93JS0 00554	E E (J) E M637	2	CARRERA COUP CARRERA COUP CARRERA COUP TURBO COUPE
11	N 011 666 7	washer B 6,4		2		15	N 900 577 02	washer 8,4 X 21 X 2 F 91JS1 02789>> F 91JS1 09908>> F 91JS1 05129>> F 93JS0 00555>>	E E (J) E M637	2	CARRERA COUP CARRERA COUP CARRERA COUP TURBO COUPE
12	900 186 001 02	pan-head screw M 6 X 15 F >>91JS1 02788 F >>91JS1 09907 F >>91JS1 05128 F >>93JS0 00554	E E (J) E M637	2	CARRERA COUP CARRERA COUP CARRERA COUP TURBO COUPE	(16)	999 703 119 40	plug F >>91JS1 02788 F >>91JS1 09907 F >>91JS1 05128 F >>93JS0 00554	E E (J) E M637	2	CARRERA COUP CARRERA COUP CARRERA COUP TURBO COUPE
12	999 218 015 02	pan-head screw M 6 X 12 micro-self-locking F 91JS1 02789>> F 91JS1 09908>> F 91JS1 05129>> F 93JS0 00555>>	E E (J) E M637	2	CARRERA COUP CARRERA COUP CARRERA COUP TURBO COUPE	16	999 703 344 40	cap round 22 X 28 X 4,7 F 91JS1 02789>> F 91JS1 09908>> F 91JS1 05129>> F 93JS0 00555>>	E E (J) E M637	2	CARRERA COUP CARRERA COUP CARRERA COUP TURBO COUPE
(13)	901 542 299 25	cover plate F >>91JS1 02788 F >>91JS1 09907 F >>91JS1 05128 F >>93JS0 00554	E E (J) E M637	2	CARRERA COUP CARRERA COUP CARRERA COUP TURBO COUPE	(17)	911 531 711 01	joint rubber	/V/L	1	
						17	911 531 712 01	joint rubber	/V/R	1	
						(18)	911 531 713 01	joint rubber	/H/L	1	

Model	Year	MG	SG	Illustration	Restrictions	Update	8:53	17.08.2004	PORSCHE	PET	PORSCHE
911	89	8	04	804-15		179					

Pos	Part Number	Name	Remarks	Qty	Model	Pos	Part Number	Name	Remarks	Qty	Model
18	911 531 714 01	joint rubber	/H/R	1							
		- - - E N D - - -									

Model	Year	MG	SG	Illustration	Restrictions	Update	8:54	17.08.2004	PORSCHE	PET	PORSCHE
911	89	8	04	804-20		179					

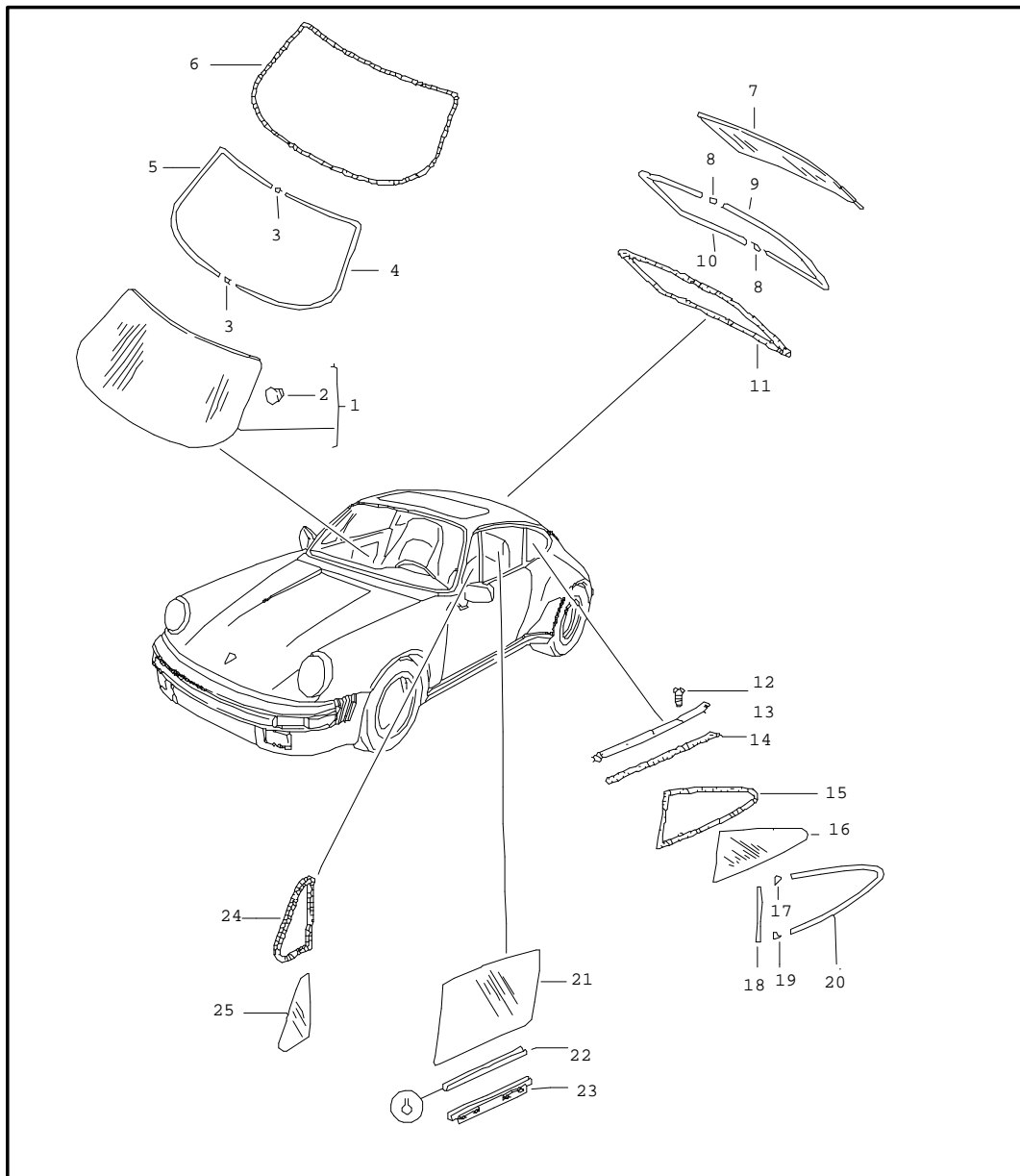


Pos	Part Number	Name	Remarks	Qty	Model
		door glass frame			TARGA/CABRIO /SPEEDSTER
(1)	911 542 019 43	door glass frame	/L	1	
	70K	black			
1	911 542 020 43	door glass frame	/R	1	
	70K	black			
(1A)	964 542 245 00	guide front	/L	1	SPEEDSTER
1A	911 542 246 00	guide front	/R	1	SPEEDSTER
(2)	901 542 023 40	guide	/L	1	
	70K	black			
(2)	911 542 036 40	guide	/R	1	
	70K	black			
(2A)	911 542 035 42	guide rear	/L	1	SPEEDSTER
2A	911 542 036 42	guide rear	/R	1	SPEEDSTER
3	911 542 505 40	window guide		2	
4	N 014 761 2	pan-head screw M 6 X 12		8	
5	900 119 091 02	pan-head screw M 6 X 15		2	
6	900 119 035 02	pan-head screw M 6 X 8		6	
7	900 028 008 01	spring washer		4	
7A	N 012 006 4	lock ring B 6		22	
8	N 011 666 7	washer B 6,4		X	

Model	Year	MG	SG	Illustration	Restrictions	Update	8:54	17.08.2004	PORSCHE	PET	PORSCHE
911	89	8	04	804-20		179					

Pos	Part Number	Name	Remarks	Qty	Model	Pos	Part Number	Name	Remarks	Qty	Model
9	901 542 299 20	cover plate F >>91JS1 41004 F >>91JS1 49679 F >>91JS1 51076 F >>91JS1 59679 F >>93JS0 20193 F >>93JS0 10117	A A (J) IO IO (J) IO A	2	CARRERA TARG CARRERA TARG CARRERA CABR CARRERA CABR TURBO CABR TURBO TARG	16	999 703 366 40	satin black plug		2	
9	911 542 237 40	plate F 91JS1 41005>> F 91JS1 49680>> F 91JS1 51077>> F 91JS1 59680>> F 93JS0 20194>> F 93JS0 10118>>	A A (J) IO IO(J) IO A	2	CARRERA TARG CARRERA TARG CARRERA CABR CARRERA CABR TURBO CABR TURBO TARG	17	911 542 236 40	plate F 91JS1 41005>> F 91JS1 49680>> F 91JS1 51077>> F 91JS1 59680>> F 93JS0 20194>> F 93JS0 10118>>	A A (J) IO IO(J) IO A	2	CARRERA TARG CARRERA TARG CARRERA CABR CARRERA CABR TURBO CABR TURBO TARG
10	901 542 252 20	desk pad		2		18	911 542 537 00	retaining bracket front		2	SPEEDSTER
11	911 542 061 00	retaining bracket		2		19	900 067 287 02	screw M 6 X 12		2	SPEEDSTER
(12)	911 542 065 41	frame connection	/L	1		20	900 067 240 02	screw M 6 X 12		4	SPEEDSTER
12	911 542 066 41	frame connection	/R	1		21	900 067 287 02	screw M 6 X 12		4	SPEEDSTER
13	900 056 003 20	rivet		4				- - - E N D - - -			
14	900 270 050 07	countersunk-head screw M 5 X 8		4							
(15)	911 531 711 40	joint rubber F >>91KS1 40323 F >>91KS1 50391 F >>93KS0 10066 F >>93KS0 20081	/L A IO A IO	1	CARRERA TARG CARRERA CABR TURBO TARG TURBO CABR						
15	911 531 712 40	joint rubber F >>91KS1 40323 F >>91KS1 50391 F >>93KS0 10066 F >>93KS0 20081	/R A IO A IO	1	CARRERA TARG CARRERA CABR TURBO TARG TURBO CABR						
(15)	911 531 711 41	joint rubber F 91KS1 40324>> F 91KS1 50392>> F 93KS0 10067>> F 93KS0 20082>>	/L A IO A IO	1	CARRERA TARG CARRERA CABR TURBO TARG TURBO CABR						
		01C satin black									
15	911 531 712 41	joint rubber F 91KS1 40324>> F 91KS1 50392>> F 93KS0 10067>> F 93KS0 20082>>	/R A IO A IO	1	CARRERA TARG CARRERA CABR TURBO TARG TURBO CABR						

Model	Year	MG	SG	Illustration	Restrictions	Update	8:54	17.08.2004	PORSCHE	PET	PORSCHE
911	89	8	05	805-00		179					



Pos	Part Number	Name	Remarks	Qty	Model
1	911 541 011 04	windscreen tinted for cars with trim frame MOD. 89		1	COUPE
1	964 541 011 00	windscreen tinted for cars without trim frame MOD. 89		1	
1	911 541 011 05	windscreen tinted upper part: dark green for cars with trim frame MOD. 89		1	
1	964 541 011 01	windscreen tinted upper part: dark green for cars without trim frame MOD. 89		1	
1	911 541 011 06	windscreen clear for cars with trim frame MOD. 89		1	
1	964 541 011 02	windscreen clear for cars without trim frame MOD. 89		1	
1	911 541 011 04	windscreen tinted sekuriflex for cars with trim frame MOD. 89		1	
1	964 541 011 00	windscreen tinted sekuriflex for cars without trim frame MOD. 89		1	

Model	Year	MG	SG	Illustration	Restrictions	Update	8:54	17.08.2004	PORSCHE	PET	PORSCHE
911	89	8	05	805-00		179					

Pos	Part Number	Name	Remarks	Qty	Model	Pos	Part Number	Name	Remarks	Qty	Model
1	911 541 011 05	windscreen tinted upper part: dark green sekuriflex for cars with trim frame MOD. 89		1		6	911 541 225 03	sealing frame for cars with trim frame MOD. 89		1	
1	964 541 011 01	windscreen tinted upper part: dark green sekuriflex for cars without trim frame MOD. 89		1		6	964 541 225 00	sealing frame for cars without trim frame MOD. 89		1	
1	911 541 011 06	windscreen clear sekuriflex for cars with trim frame MOD. 89		1		7	911 545 107 00	rear window for cars with trim frame MOD. 89		1	
1	964 541 011 02	windscreen clear sekuriflex for cars without trim frame MOD. 89		1		7	964 545 107 04	rear window for cars without trim frame MOD. 89		1	
-	911 541 112 02	film for stickers self-destroying for windscreen sekuriflex		1		7	911 631 073 00	rear window with brake light raised for cars with trim frame MOD. 89		1	
-	000 043 204 82	adhesive for windscreen		X		7	964 545 107 05	rear window with brake light raised for cars without trim frame MOD. 89		1	
2	477 845 043	adhesive plate		1		8	911 541 921 01	covering plate F >>91HS1 02286 F >>91HS1 05068 F >>91HS1 09747 F >>93HS0 00542		2	
3	911 541 921 01	covering plate		2			70K	black			
4	911 541 911 01	trim frame	/L	1		8	911 541 821 00	covering plate F 91HS1 02287>> F 91HS1 05069>> F 91HS1 09748>> F 93HS0 00543>>		2	
5	911 541 912 01	trim frame-half	/R	1			70K	black			
	70K	black									

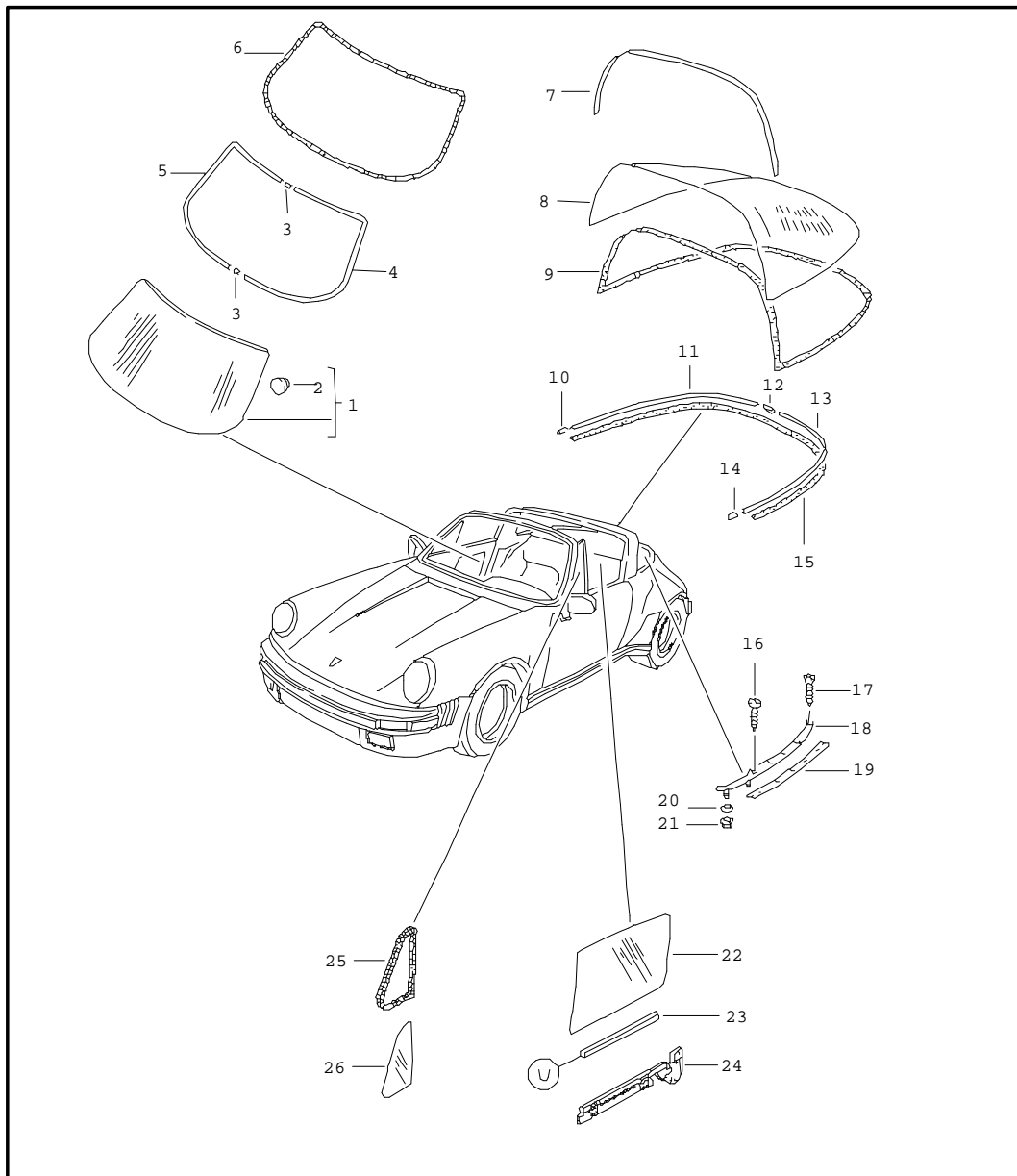
Model	Year	MG	SG	Illustration	Restrictions	Update	8:54	17.08.2004	PORSCHE	PET	PORSCHE
911	89	8	05	805-00		179					

Pos	Part Number	Name	Remarks	Qty	Model	Pos	Part Number	Name	Remarks	Qty	Model
9	911 545 911 00	trim frame F >>91HS1 02286 F >>91HS1 05068 F >>91HS1 09747 F >>93HS0 00542	/L	1		15	911 543 035 01	sealing frame F >>91HS1 02284 F >>91HS1 05063 F >>91HS1 09747 F >>93HS0 00540	/L	1	
	70K	black				15	911 543 035 03	sealing frame for cars up to F >>91KS1 00958 F 91HS1 02285>> F 91HS1 05064>> F 91HS1 09748>> F >>93KS0 00184 F 93HS0 00541>>	/L	1	
9	911 545 811 00	trim frame-half F 91HS1 02287>> F 91HS1 05069>> F 91HS1 09748>> F 93HS0 00543>>	/L	1		15	964 543 035 00	sealing frame F 91KS1 00959>> F 93KS0 00185>>	/L	1	
	70K	black				(15)	911 543 036 01	sealing frame F >>91HS1 02284 F >>91HS1 05063 F >>91HS1 09747 F >>93HS0 00540	/R	1	
10	911 545 912 00	trim frame-half F >>91HS1 02286 F >>91HS1 05068 F >>91HS1 09747 F >>93HS0 00542	/R	1		(15)	911 543 036 03	sealing frame for cars up to F 91HS1 02285>> F >>91KS1 00958 F 91HS1 05064>> F 91HS1 09748>> F >>93KS0 00184 F 93HS0 00541>>	/R	1	
	70K	black				(15)	964 543 036 00	sealing frame F 91KS1 00959>> F 93KS0 00185>>	/R	1	
10	911 545 812 00	trim frame-half F 91HS1 02287>> F 91HS1 05069>> F 91HS1 09748>> F 93HS0 00543>>	/R	1		16	911 543 101 02	rear glass F >>91KS1 00958 F >>93KS0 00184	/L	1	
	70K	black				16	964 543 101 00	rear glass F 91KS1 00959>> F 93KS0 00185>>	/L	1	
11	911 545 225 00	sealing frame for cars with trim frame MOD. 89		1		(15)	911 543 102 02	rear glass F >>91KS1 00958 F >>93KS0 00184	/R	1	
11	964 545 225 00	sealing frame for cars without trim frame MOD. 89		1		(16)	964 543 102 00	rear glass F 91KS1 00959>> F 93KS0 00185>>	/R	1	
12	900 144 017 07	tapping screw B 2.9 X 13		12							
13	911 543 195 02	moulding	/L	1							
	70K	black									
(13)	911 543 196 02	moulding		1							
	70K	black									
14	000 043 129 00	sealing strap		X							

Model	Year	MG	SG	Illustration	Restrictions	Update	8:54	17.08.2004	PORSCHE	PET	PORSCHE
911	89	8	05	805-00		179					

Pos	Part Number	Name	Remarks	Qty	Model	Pos	Part Number	Name	Remarks	Qty	Model
17	911 543 187 02	covering plate upper		2							
	70K	black									
18	911 543 197 02	moulding	/L	1							
	70K	black									
(18)	911 543 198 02	moulding	/R	1							
	70K	black									
19	911 543 185 02	covering plate lower		2							
	70K	black									
20	911 543 419 01	moulding	/L	1							
	70K	black									
(20)	911 543 420 01	moulding	/R	1							
	70K	black									
21	901 542 101 35	door glass	/L	1							
(21)	901 542 102 35	door glass	/R	1							
22	911 542 491 40	rubber ply		2							
23	911 542 057 00	window lifter rail	/L	1							
(23)	911 542 058 00	window lifter rail	/R	1							
24	901 542 921 21	sealing frame	/L	1							
(24)	901 542 922 21	sealing frame	/R	1							
25	911 542 511 00	side window	/L	1							
(25)	911 542 512 00	side window	/R	1							
		- - - E N D - - -									

Model	Year	MG	SG	Illustration	Restrictions	Update	8:54	17.08.2004	PORSCHE	PET	PORSCHE
911	89	8	05	805-05		179					



Pos	Part Number	Name	Remarks	Qty	Model
1	911 541 011 04	windscreen tinted for cars with trim frame MOD. 89		1	TARGA/CABRIO
1	964 541 011 00	windscreen tinted for cars without trim frame MOD. 89		1	
1	911 541 011 05	windscreen tinted upper part: dark green for cars with trim frame MOD. 89		1	
1	964 541 011 01	windscreen tinted upper part: dark green for cars without trim frame MOD. 89		1	
1	911 541 011 06	windscreen clear for cars with trim frame MOD. 89		1	
1	964 541 011 02	windscreen clear for cars without trim frame MOD. 89		1	
1	911 541 011 04	windscreen tinted sekuriflex for cars with trim frame MOD. 89		1	
1	964 541 011 00	windscreen tinted sekuriflex for cars without trim frame MOD. 89		1	

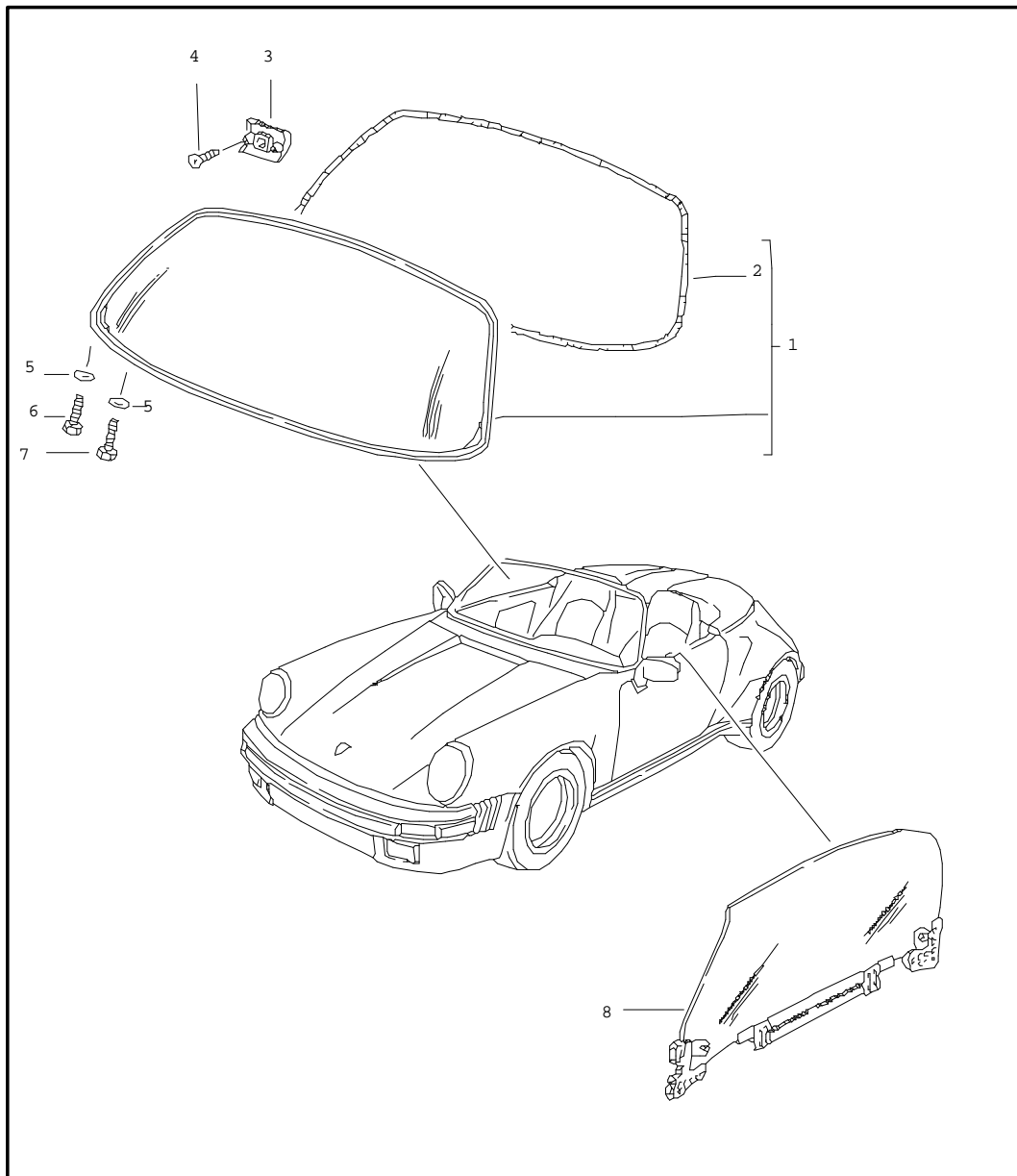
Model	Year	MG	SG	Illustration	Restrictions	Update	8:54	17.08.2004	PORSCHE	PET	PORSCHE
911	89	8	05	805-05		179					

Pos	Part Number	Name	Remarks	Qty	Model	Pos	Part Number	Name	Remarks	Qty	Model
1	911 541 011 05	windscreen tinted upper part: dark green sekuriflex for cars with trim frame MOD. 89		1		6	911 541 225 03	sealing frame for cars with trim frame MOD. 89		1	
1	964 541 011 01	windscreen tinted upper part: dark green sekuriflex for cars without trim frame MOD. 89		1		6	964 541 225 00	sealing frame for cars without trim frame MOD. 89		1	
1	911 541 011 06	windscreen clear sekuriflex for cars with trim frame MOD. 89		1		7	901 565 930 41	gasket		1	TARGA
1	964 541 011 02	windscreen clear sekuriflex for cars without trim frame MOD. 89		1		8	911 565 551 03	rear window		1	TARGA
-	911 541 112 02	film for stickers self-destroying for windscreen sekuriflex		1		8	911 631 074 00	rear window with brake light raised		1	TARGA
-	000 043 204 82	adhesive for windscreen		X		9	911 545 051 41	sealing frame		1	TARGA
2	477 845 043	adhesive plate		1		10	911 565 570 40	moulding	/R	1	TARGA
3	911 541 921 01	covering plate		2			70K	black			
4	911 541 911 01	trim frame	/L	1		11	911 565 556 41	moulding	/R	1	TARGA
5	911 541 912 01	trim frame-half	/R	1			70K	black			
		70K				12	911 541 921 01	covering plate		1	TARGA
		70K					70K	black			
		70K				13	911 565 555 41	moulding	/L	1	TARGA
		70K					70K	black			
		70K				14	911 565 569 40	moulding	/L	1	TARGA
		70K					70K	black			
		70K				15	000 043 129 00	sealing strap		X	TARGA
		70K				16	999 073 047 02	tapping screw B 3.5 X 9.5		8	TARGA
		70K				17	900 144 009 00	counters. head tapp. screw B 2.9 X 13		2	TARGA
		70K				18	911 565 049 40	moulding	/L	1	TARGA
		70K					70K	black			
		70K				(18)	911 565 050 40	moulding	/R	1	TARGA

Model	Year	MG	SG	Illustration	Restrictions	Update	8:54	17.08.2004	PORSCHE	PET	PORSCHE
911	89	8	05	805-05		179					

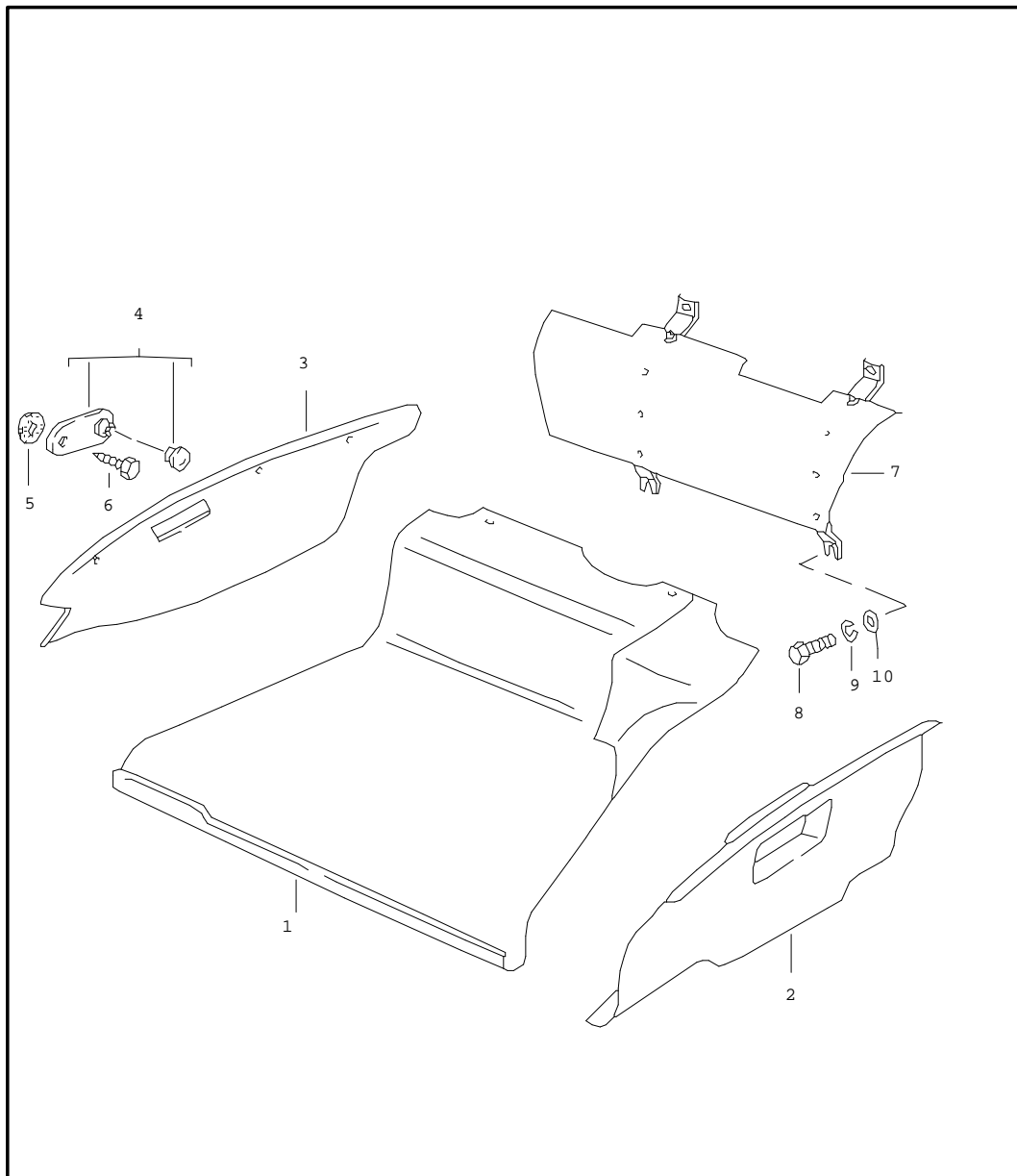
Pos	Part Number	Name	Remarks	Qty	Model	Pos	Part Number	Name	Remarks	Qty	Model
	70K	black									
19	901 565 557 40	pipng		2	TARGA						
20	900 151 006 40	washer B 6.4		4	TARGA						
21	999 591 423 03	tapping nut		4	TARGA						
22	911 542 101 45	door glass	/L	1							
(22)	911 542 102 45	door glass	/R	1							
23	911 542 491 40	rubber ply		2							
24	911 542 057 42	window lifter rail	/L	1							
(24)	911 542 058 42	window lifter rail	/R	1							
25	911 799 542 85	sealing frame		2							
26	911 542 503 41	side window	/L	1							
(26)	911 542 504 41	side window	/R	1							
		- - - E N D - - -									

Model	Year	MG	SG	Illustration	Restrictions	Update	8:54	17.08.2004	PORSCHE	PET	PORSCHE
911	89	8	05	805-10		179					



Pos	Part Number	Name	Remarks	Qty	Model
		windows			SPEEDSTER
(1)	911 541 905 00	windscreen frame part with windscreen tinted		1	
-	911 541 011 25	windscreen tinted		1	
1	911 541 905 01	windscreen frame part with windscreen clear		1	
-	911 541 011 24	windscreen clear		1	
2	911 541 323 00	gasket		1	
(3)	911 561 729 04	guide	/L	1	
	01C	satin black metallic			
3	911 561 730 04	guide	/R	1	
	01C	satin black metallic			
4	900 270 009 02	countersunk-head screw M 4 X 8		4	
5	N 011 525 15	washer A 8.4		4	
6	N 010 335 5	hexagon-head bolt M 8 X 35		2	
7	N 010 385 3	hexagon-head bolt M 8 X 85		2	
8	964 542 911 00	door glass	/L	1	
(8)	964 542 912 00	door glass	/R	1	
		- - - E N D - - -			

Model	Year	MG	SG	Illustration	Restrictions	Update	8:54	17.08.2004	PORSCHE	PET	PORSCHE
911	89	8	07	807-00		179					

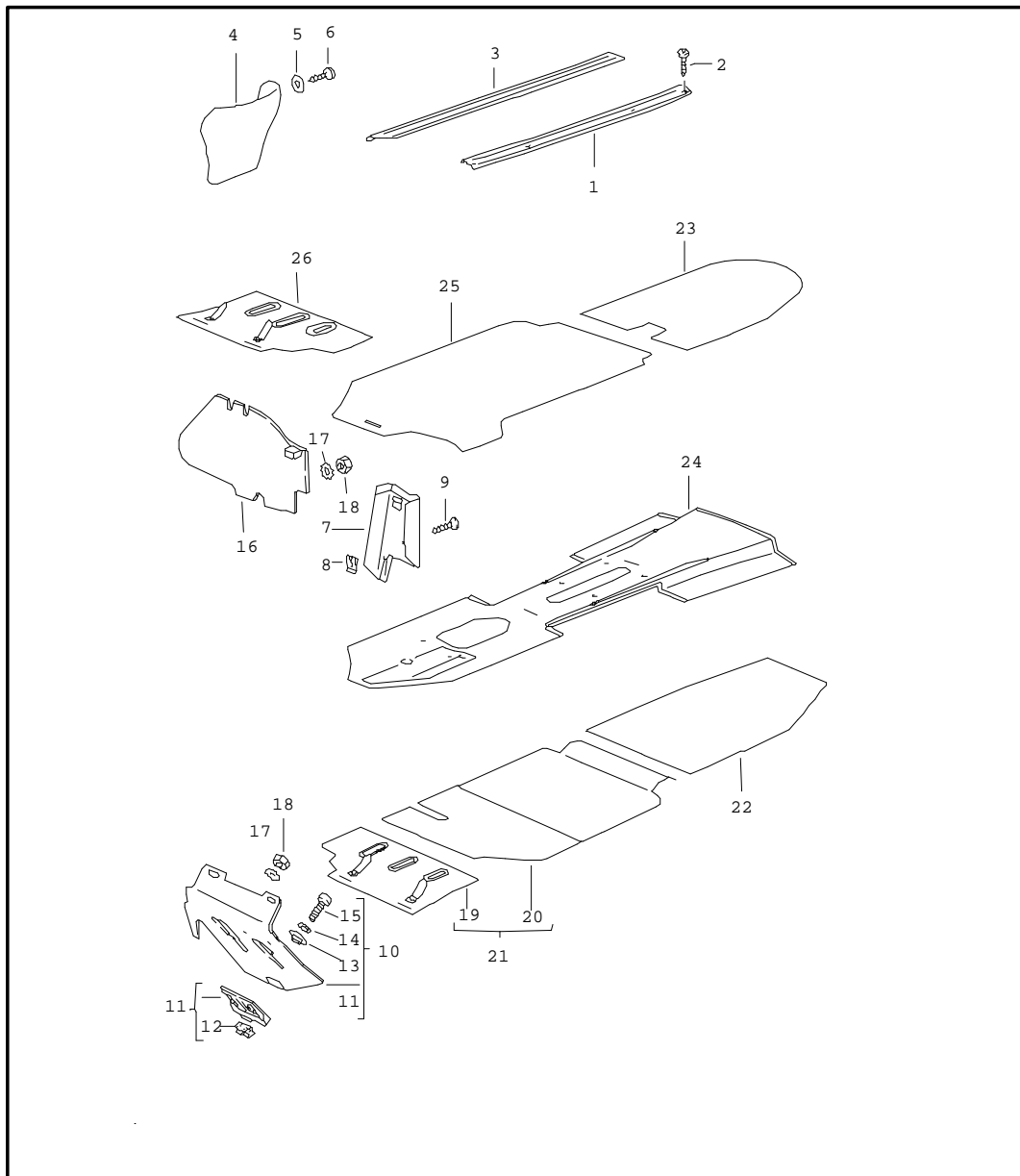


Pos	Part Number	Name	Remarks	Qty	Model
		interior equipment front trunk			
1	911 551 045 10	front-compartment carpet	/LL	1	
	4FD	anthracite			
	A16	anthracite			
(1)	911 551 045 12	front-compartment carpet	/LL	1	M 496
	4FD	anthracite			
	A16	anthracite			
1	911 551 045 09	front-compartment carpet carpet	/LL	1	M 975
	70E	black	-88		
	5FV	black	89		
	6HM	silver-blue	88		JUBI
	SS2	silver-blue	89		M 099
	1XV	pearl grey	89		M 097
(1)	911 551 045 13	front-compartment carpet carpet	/LL	1	M 496/975
	70E	black	-88		
	5FV	black	89		
	SS2	silver-blue	89		M 099
	1XV	pearl grey	89		M 097
(1)	911 551 045 11	front-compartment carpet	/RL	1	
	4FD	anthracite			
	A16	anthracite			
(1)	911 551 045 08	front-compartment carpet carpet	/RL	1	M 975
	70E	black	-88		
	5FV	black	89		
	6HM	silver-blue	88		JUBI

Model	Year	MG	SG	Illustration	Restrictions	Update	8:54	17.08.2004	PORSCHE	PET	PORSCHE
911	89	8	07	807-00		179					

Pos	Part Number	Name	Remarks	Qty	Model	Pos	Part Number	Name	Remarks	Qty	Model
	SS2	silver-blue	89		M 099	9	N 012 007 2	lock ring A 6		4	
2	911 551 049 05	front trunk side wall	/L	1		10	900 151 003 02	washer 6,4		4	
	4FD	anthracite									
	A16	anthracite									
2	911 551 049 04	front trunk side wall carpet	/L	1	M 975						
	70E	black	-88								
	5FV	black	89								
	6HM	silver-blue	88		JUBI						
	SS2	silver-blue	89		M 099						
	1XV	pearl grey	89		M 097						
3	911 551 050 06	front trunk side wall	/R	1							
	4FD	anthracite									
(3)	911 551 050 04	front trunk side wall carpet	/R	1	M 975						
	70E	black	-88								
	5FV	black	89								
	6HM	silver-blue	88		JUBI						
	SS2	silver-blue	89		M 099						
	1XV	pearl grey	89		M 097						
4	911 503 075 00	desk pad		6							
5	999 704 157 40	washer 5,5 X 18 X 1,5		6							
6	900 187 010 02	tapping screw BZ 6,3 X 19		6							
7	911 551 067 03	luggage boot trim	/LL	1							
(7)	911 551 068 01	luggage boot trim	/RL	1							
8	900 075 260 02	hexagon-head bolt M 6 X 16		4							

Model	Year	MG	SG	Illustration	Restrictions	Update	8:54	17.08.2004	PORSCHE	PET	PORSCHE
911	89	8	07	807-01		179					



Pos	Part Number	Name	Remarks	Qty	Model
		linings footwell detachable carpets			
1	901 551 419 50	cover strip inner aluminium		2	
(1)	901 551 419 28	cover strip inner black		2	
2	900 145 041 00	tapping screw B 3,5 X 16		10	
(2)	900 145 041 07	tapping screw B 3,5 X 16		10	
(3)	911 551 619 00	rubber pad	/L	1	
3	911 551 620 00	rubber pad	/R	1	
(4)	911 555 179 01	lining for additional blower carpet	/L	1	COUPE
	70E	black	-88		
	5FV	black	89		
	5MF	mahogany			
	3KF	marine blue	-88		
	4KV	marine blue	89		
	80E	burgundy	-88		
	8MD	burgundy	89		
	2XF	linen			
	1VD	champagne	-88		
	8JK	greyish green	-88		
	4MM	plum red	-88		
	5UM	caramel			
	7VM	silver-grey	-88		
	7VT	silk grey	89		

Model	Year	MG	SG	Illustration	Restrictions	Update	8:54	17.08.2004	PORSCHE	PET	PORSCHE
911	89	8	07	807-01		179					

Pos	Part Number	Name	Remarks	Qty	Model	Pos	Part Number	Name	Remarks	Qty	Model
	8UT	cashmere beige	89				6HM	silver-blue	88		JUBI
	9MT	velvet red	89				6HM	silver-blue	89		M 099
	3WT	slate grey	89			4	911 555 180 01	lining for additional blower carpet	/R	1	COUPE
	3KM	venetian blue					70E	black	-88		
	6HM	silver-blue	88		JUBI		5FV	black	89		
	6HM	silver-blue	89		M 099		5MF	mahogany			
(4)	911 555 179 41	lining for additional blower carpet	/L	1	TARGA/CABRIO SPEEDSTER		3KF	marine blue	-88		
	70E	black	-88				4KV	marine blue	89		
	5FV	black	89				80E	burgundy	-88		
	5MF	mahogany					8MD	burgundy	89		
	3KF	marine blue	-88				2XF	linen			
	4KV	marine blue	89				1VD	champagne	-88		
	80E	burgundy	-88				8JK	greyish green	-88		
	8MD	burgundy	89				4MM	plum red	-88		
	2XF	linen					5UM	caramel			
	1VD	champagne	-88				7VM	silver-grey	-88		
	8JK	greyish green	-88				7VT	silk grey	89		
	4MM	plum red	-88				8UT	cashmere beige	89		
	5UM	caramel					9MT	velvet red	89		
	7VM	silver-grey	-88				3WT	slate grey	89		
	7VT	silk grey	89				3KM	venetian blue			
	8UT	cashmere beige	89				6HM	silver-blue	88		JUBI
	9MT	velvet red	89				6HM	silver-blue	89		M 099
	3WT	slate grey	89			4	911 555 180 41	lining for additional blower carpet	/R	1	TARGA/CABRIO SPEEDSTER
	3KM	venetian blue									

Model	Year	MG	SG	Illustration	Restrictions	Update	8:54	17.08.2004	PORSCHE	PET	PORSCHE
911	89	8	07	807-01		179					

Pos	Part Number	Name	Remarks	Qty	Model	Pos	Part Number	Name	Remarks	Qty	Model
	70E	black	-88			(4)	911 555 179 02	lining carpet	/L	1	COUPE:M 637
	5FV	black	89				70E	black	-88		
	5MF	mahogany					5FV	black	89		
	3KF	marine blue	-88				5MF	mahogany			
	4KV	marine blue	89				3KF	marine blue	-88		
	80E	burgundy	-88				4KV	marine blue	89		
	8MD	burgundy	89				80E	burgundy	-88		
	2XF	linen					8MD	burgundy	89		
	1VD	champagne	-88				8JK	greyish green	-88		
	8JK	greyish green	-88				2XF	linen	89		
	4MM	plum red	-88				8UT	cashmere beige	89		
	5UM	caramel				(4)	911 555 180 02	lining carpet	/R	1	COUPE:M 637
	7VM	silver-grey	-88				70E	black	-88		
	7VT	silk grey	89				5FV	black	89		
	8UT	cashmere beige	89				5MF	mahogany			
	9MT	velvet red	89				3KF	marine blue	-88		
	3WT	slate grey	89				4KV	marine blue	89		
	3KM	venetian blue					80E	burgundy	-88		
	6HM	silver-blue	88		JUBI		8MD	burgundy	89		
	6HM	silver-blue	89		M 099		8JK	greyish green	-88		
(4)	911 555 179 41	lining for additional blower carpet	/L	1	CABRIO		2XF	linen	89		
	1XV	pearl grey	89		M 097		8UT	cashmere beige	89		
4	911 555 180 41	lining for additional blower carpet	/R	1	CABRIO	5	999 591 102 17	washer 3,5 DEG		6	
	1XV	pearl grey	89		M 097	6	900 145 082 07	tapping screw 3,5 X 38		6	
						7	901 501 950 22	foot support black	/RL	1	

Model	Year	MG	SG	Illustration	Restrictions	Update	8:54	17.08.2004	PORSCHE	PET	PORSCHE
911	89	8	07	807-01		179					

Pos	Part Number	Name	Remarks	Qty	Model	Pos	Part Number	Name	Remarks	Qty	Model
(7)	911 501 950 02	foot support black	/RL	1	M 559	18	900 076 010 02	hexagon nut M 6		1	
8	N 015 429 2	speed nut B 4,2	/RL	2		19	911 551 015 02	floorboard carpet carpet	/LL/L	1	COUPE
9	900 145 035 02	counters. head tapp. screw B 4,2 X 16	/RL	2			70E	black	-88		
10	911 551 063 04	pedal floor board	/LL/L	1	COUPE		5FV	black	89		
10	911 551 063 44	pedal floor board	/LL/L	1	TARGA/CABRIO SPEEDSTER		5MF	mahogany			
(10)	901 551 061 23	floorboard	/RL/L	1	COUPE		3KF	marine blue	-88		
(10)	901 551 061 42	floorboard	/RL/L	1	TARGA/CABRIO SPEEDSTER		4KV	marine blue	89		
(10)	911 551 075 01	floorboard	/RL/L	1	COUPE:M 559		80E	burgundy	-88		
(10)	911 551 075 41	floorboard	/RL/L	1	TARGA/CABRIO M 559		8MD	burgundy	89		
11	901 423 036 00	stop	/LL/L /RL/R	1			1VD	champagne	-88		
12	901 423 391 00	rubber stop	/LL/L /RL/R	1			8JK	greyish green	-88		
13	901 423 368 00	washer	/LL/L	1			2XF	linen			
13	901 423 368 00	washer	/RL/R	2			4MM	plum red	-88		
14	N 012 130 2	shake-proof washer A 5,3	/RL/R	2			5UM	caramel			
15	900 119 001 02	pan-head screw	/LL/L	1			7VM	silver-grey	-88		
15	900 119 001 02	pan-head screw M 5 X 12	/RL/R	2			7VT	silk grey	89		
16	911 551 064 01	floorboard	/LL/R	1	COUPE		3KM	venetian blue			
16	901 551 064 42	floorboard	/LL/R	1	TARGA/CABRIO SPEEDSTER		8UT	cashmere beige	89		
(16)	911 551 062 22	pedal floor board	/RL/R	1	COUPE	19	911 551 015 42	floorboard carpet carpet	/LL/L	1	TARGA/CABRIO SPEEDSTER
(16)	911 551 062 42	pedal floor board	/RL/R	1	TARGA/CABRIO SPEEDSTER		70E	black	-88		
17	N 042 121 3	shake-proof washer A 6,4		1			5FV	black	89		

Model	Year	MG	SG	Illustration	Restrictions	Update	8:54	17.08.2004	PORSCHE	PET	PORSCHE
911	89	8	07	807-01		179					

Pos	Part Number	Name	Remarks	Qty	Model	Pos	Part Number	Name	Remarks	Qty	Model
	5MF	mahogany					1VD	champagne	-88		
	3KF	marine blue	-88				8JK	greyish green	-88		
	4KV	marine blue	89				2XF	linen			
	80E	burgundy	-88				4MM	plum red	-88		
	8MD	burgundy	89				5UM	caramel			
	1VD	champagne	-88				7VM	silver-grey	-88		
	8JK	greyish green	-88				7VT	silk grey	89		
	2XF	linen					3KM	venetian blue			
	4MM	plum red	-88				8UT	cashmere beige	89		
	5UM	caramel					9MT	velvet red	89		
	7VM	silver-grey	-88				3WT	slate grey	89		
	7VT	silk grey	89				6HM	silver-blue	88		JUBI
	3KM	venetian blue					6HM	silver-blue	89		M 099
	8UT	cashmere beige	89			19	911 551 015 42	floorboard carpet carpet	/LL/L89	1	CABRIO:M 097
	9MT	velvet red	89				1XV	pearl grey			
	3WT	slate grey	89			20	911 551 021 03	carpet carpet	/LL/L-88	1	COUPE
	6HM	silver-blue	88		JUBI		70E	black			
	6HM	silver-blue	89		M 099		5MF	mahogany			
(19)	911 551 017 04	floorboard carpet carpet	/RL/L	1	TURBO CARRERA: M 559		3KF	marine blue			
	70E	black	-88				80E	burgundy			
	5FV	black	89				1VD	champagne			
	5MF	mahogany					8JK	greyish green			
	3KF	marine blue	-88				2XF	linen			
	4KV	marine blue	89				4MM	plum red			
	80E	burgundy	-88				5UM	caramel			
	8MD	burgundy	89				7VM	silver-grey			

Model	Year	MG	SG	Illustration	Restrictions	Update	8:54	17.08.2004	PORSCHE	PET	PORSCHE
911	89	8	07	807-01		179					

Pos	Part Number	Name	Remarks	Qty	Model	Pos	Part Number	Name	Remarks	Qty	Model
	3KM	venetian blue					3KM	venetian blue			
	6HM	silver-blue	88		JUBI		6HM	silver-blue			M 099
20	911 551 021 42	carpet carpet	/LL/L-88	1	TARGA/CABRIO	20	911 551 021 43	carpet carpet	/LL/L89 89	1	TARGA/CABRIO SPEEDSTER
	70E	black					5FV	black			
	5MF	mahogany					5MF	mahogany			
	3KF	marine blue					4KV	marine blue			
	80E	burgundy					8MD	burgundy			
	1VD	champagne					2XF	linen			
	8JK	greyish green					8UT	cashmere beige			
	2XF	linen					7VT	silk grey			
	4MM	plum red					9MT	velvet red			
	5UM	caramel					3WT	slate grey			
	7VM	silver-grey					5UM	caramel			
	3KM	venetian blue					3KM	venetian blue			
	6HM	silver-blue	88		JUBI		6HM	silver-blue			M 099
20	911 551 021 04	carpet carpet	/LL/L89	1	COUPE	20	911 551 021 43	carpet carpet	/LL/L89	1	CABRIO:M 097
	5FV	black					1XV	pearl grey			
	5MF	mahogany				21	911 551 011 12	carpet carpet	/RL/L	1	COUPE
	4KV	marine blue					70E	black	-88		
	8MD	burgundy					5FV	black	89		
	2XF	linen					5MF	mahogany			
	8UT	cashmere beige					3KF	marine blue	-88		
	7VT	silk grey					4KV	marine blue	89		
	9MT	velvet red					80E	burgundy	-88		
	3WT	slate grey					8MD	burgundy	89		
	5UM	caramel									

Model	Year	MG	SG	Illustration	Restrictions	Update	8:54	17.08.2004	PORSCHE	PET	PORSCHE
911	89	8	07	807-01		179					

Pos	Part Number	Name	Remarks	Qty	Model	Pos	Part Number	Name	Remarks	Qty	Model
	2XF	linen					7VM	silver-grey	-88		
	1VD	champagne	-88				7VT	silk grey	89		
	8JK	greyish green	-88				3KM	venetian blue			
	4MM	plum red	-88				8UT	cashmere beige	89		
	5UM	caramel					9MT	velvet red	89		
	7VM	silver-grey	-88				3WT	slate grey	89		
	7VT	silk grey	89				6HM	silver-blue	88		JUBI
	3KM	venetian blue					6HM	silver-blue	89		M 099
	8UT	cashmere beige	89			21	911 551 011 49	carpet	/RL/L	1	TARGA/CABRIO SPEEDSTER
	9MT	velvet red	89					carpet			
	3WT	slate grey	89				70E	black	-88		
	6HM	silver-blue	88		JUBI		5FV	black	89		
	6HM	silver-blue	89		M 099		5MF	mahogany			
21	911 551 011 13	carpet	/RL/L	1	TURBO COUPE COUPE:M 559		3KF	marine blue	-88		
		carpet					4KV	marine blue	89		
	70E	black	-88				80E	burgundy	-88		
	5FV	black	89				8MD	burgundy	89		
	5MF	mahogany					2XF	linen			
	3KF	marine blue	-88				1VD	champagne	-88		
	4KV	marine blue	89				8JK	greyish green	-88		
	80E	burgundy	-88				4MM	plum red	-88		
	8MD	burgundy	89				5UM	caramel			
	2XF	linen					7VM	silver-grey	-88		
	1VD	champagne	-88				7VT	silk grey	89		
	8JK	greyish green	-88				3KM	venetian blue			
	4MM	plum red	-88				8UT	cashmere beige	89		
	5UM	caramel					9MT	velvet red	89		

Model	Year	MG	SG	Illustration	Restrictions	Update	8:54	17.08.2004	PORSCHE	PET	PORSCHE
911	89	8	07	807-01		179					

Pos	Part Number	Name	Remarks	Qty	Model	Pos	Part Number	Name	Remarks	Qty	Model
	3WT	slate grey	89			22	911 551 013 05	carpet	/H/L	1	
	6HM	silver-blue	88		JUBI			carpet			
	6HM	silver-blue	89		M 099		70E	black	-88		
21	911 551 011 50	carpet	/RL/L	1	TURBO TARGA TURBO CABRIO TARGA/CABRIO SPEEDSTER: M 559		5FV	black	89		
		carpet					5MF	mahogany			
	70E	black	-88				3KF	marine blue	-88		
	5FV	black	89				4KV	marine blue	89		
	5MF	mahogany					80E	burgundy	-88		
	3KF	marine blue	-88				8MD	burgundy	89		
	4KV	marine blue	89				2XF	linen			
	80E	burgundy	-88				1VD	champagne	-88		
	8MD	burgundy	89				8JK	greyish green	-88		
	2XF	linen					4MM	plum red	-88		
	1VD	champagne	-88				5UM	caramel			
	8JK	greyish green	-88				7VM	silver-grey	-88		
	4MM	plum red	-88				7VT	silk grey	89		
	5UM	caramel					3KM	venetian blue			JUBI
	7VM	silver-grey	-88				6HM	silver-blue	88		M 099
	7VT	silk grey	89				6HM	silver-blue	89		M 099
	3KM	venetian blue					1XV	pearl grey	89		M 097
	8UT	cashmere beige	89				8UT	cashmere beige	89		
	9MT	velvet red	89				9MT	velvet red	89		
	3WT	slate grey	89				3WT	slate grey	89		
	6HM	silver-blue	88		JUBI	23	911 551 014 08	carpet	/H/R	1	
	6HM	silver-blue	89		M 099			carpet			
							70E	black	-88		
							5FV	black	89		
							5MF	mahogany			

Model	Year	MG	SG	Illustration	Restrictions	Update	8:54	17.08.2004	PORSCHE	PET	PORSCHE
911	89	8	07	807-01		179					

Pos	Part Number	Name	Remarks	Qty	Model	Pos	Part Number	Name	Remarks	Qty	Model
	3KF	marine blue	-88				5UM	caramel			
	4KV	marine blue	89				7VM	silver-grey			
	80E	burgundy	-88				3KM	venetian blue			
	8MD	burgundy	89			(24)	911 551 411 47	carpet for tunnel carpet	/RL -88	1	CARRERA
	2XF	linen					70E	black			
	1VD	champagne	-88				5MF	mahogany			
	8JK	greyish green	-88				3KF	marine blue			
	4MM	plum red	-88				80E	burgundy			
	5UM	caramel					2XF	linen			
	7VM	silver-grey	-88				1VD	champagne			
	7VT	silk grey	89				8JK	greyish green			
	3KM	venetian blue					4MM	plum red			
	6HM	silver-blue	88		JUBI		5UM	caramel			
	6HM	silver-blue	89		M 099		7VM	silver-grey			
	1XV	pearl grey	89		M 097		3KM	venetian blue			
	8UT	cashmere beige	89			(24)	911 551 411 44	carpet for tunnel carpet	/LL -88	1	TURBO
	9MT	velvet red	89				70E	black			
	3WT	slate grey	89				5MF	mahogany			
24	911 551 411 46	carpet for tunnel carpet	/LL -88	1	CARRERA		3KF	marine blue			
	70E	black					80E	burgundy			
	5MF	mahogany					2XF	linen			
	3KF	marine blue					1VD	champagne			
	80E	burgundy					8JK	greyish green			
	2XF	linen					4MM	plum red			
	1VD	champagne					5UM	caramel			
	8JK	greyish green					7VM	silver-grey			
	4MM	plum red									

Model	Year	MG	SG	Illustration	Restrictions	Update	8:54	17.08.2004	PORSCHE	PET	PORSCHE
911	89	8	07	807-01		179					

Pos	Part Number	Name	Remarks	Qty	Model	Pos	Part Number	Name	Remarks	Qty	Model
(24)	911 551 411 45	3KM venetian blue carpet for tunnel carpet	/RL -88	1	TURBO	(24)	911 551 411 47	carpet for tunnel carpet	/RL 89	1	
		70E black					5FV black				
		5MF mahogany					5MF mahogany				
		3KF marine blue					4KV marine blue				
		80E burgundy					8MD burgundy				
		2XF linen					2XF linen				
		1VD champagne					8UT cashmere beige				
		8JK greyish green					7VT silk grey				
		4MM plum red					3WT slate grey				
		5UM caramel					5UM caramel				
		7VM silver-grey					3KM venetian blue				
		3KM venetian blue					9MT velvet red				
24	911 551 411 68	carpet for tunnel carpet	/LL 89	1		24	911 551 411 68	carpet for tunnel carpet	/LL 89	1	CABRIO:M 097
		5FV black					6HM silver-blue		89		M 099
		5MF mahogany					1XV pearl grey				
		4KV marine blue				(24)	911 551 411 46	carpet for tunnel carpet	/LL	1	CARRERA
		8MD burgundy					6HM silver-blue		88		JUBI
		2XF linen				(24)	911 551 411 47	carpet for tunnel carpet	/RL	1	CARRERA
		8UT cashmere beige					6HM silver-blue		88		JUBI
		7VT silk grey				(24)	911 551 411 12	carpet for tunnel carpet	/LL -88	1	COUPE:M 637
		3WT slate grey					70E black				
		5UM caramel					5MF mahogany				
		3KM venetian blue					3KF marine blue				
		9MT velvet red					80E burgundy				
		6HM silver-blue	89		M 099		8JK greyish green				

Model	Year	MG	SG	Illustration	Restrictions	Update	8:54	17.08.2004	PORSCHE	PET	PORSCHE
911	89	8	07	807-01		179					

Pos	Part Number	Name	Remarks	Qty	Model	Pos	Part Number	Name	Remarks	Qty	Model
(24)	911 551 411 31	carpet for tunnel carpet	/RL -88	1	COUPE:M 637		2XF	linen			
	70E	black					1VD	champagne			
	5MF	mahogany					8JK	greyish green			
	3KF	marine blue					4MM	plum red			
	80E	burgundy					5UM	caramel			
	8JK	greyish green					7VM	silver-grey			
(24)	911 551 411 53	carpet for tunnel carpet	/LL 89	1	COUPE:M 637		3KM	venetian blue			
	5FV	black					6HM	silver-blue	88		JUBI
	5MF	mahogany				(25)	911 551 012 56	carpet carpet	/LL/R-88	1	TARGA/CABRIO
	4KV	marine blue					70E	black			
	8MD	burgundy					5MF	mahogany			
	2XF	linen					3KF	marine blue			
	8UT	cashmere beige					80E	burgundy			
(24)	911 551 411 31	carpet for tunnel carpet	/RL 89	1	COUPE:M 637		2XF	linen			
	5FV	black					1VD	champagne			
	5MF	mahogany					8JK	greyish green			
	4KV	marine blue					4MM	plum red			
	8MD	burgundy					5UM	caramel			
	2XF	linen					7VM	silver-grey			
	8UT	cashmere beige					3KM	venetian blue			
							6HM	silver-blue	88		JUBI
25	911 551 012 18	carpet carpet	/LL/R-88	1	COUPE	(25)	911 551 022 02	carpet carpet	/RL/R-88	1	COUPE
	70E	black					70E	black			
	5MF	mahogany					5MF	mahogany			
	3KF	marine blue					3KF	marine blue			
	80E	burgundy					80E	burgundy			

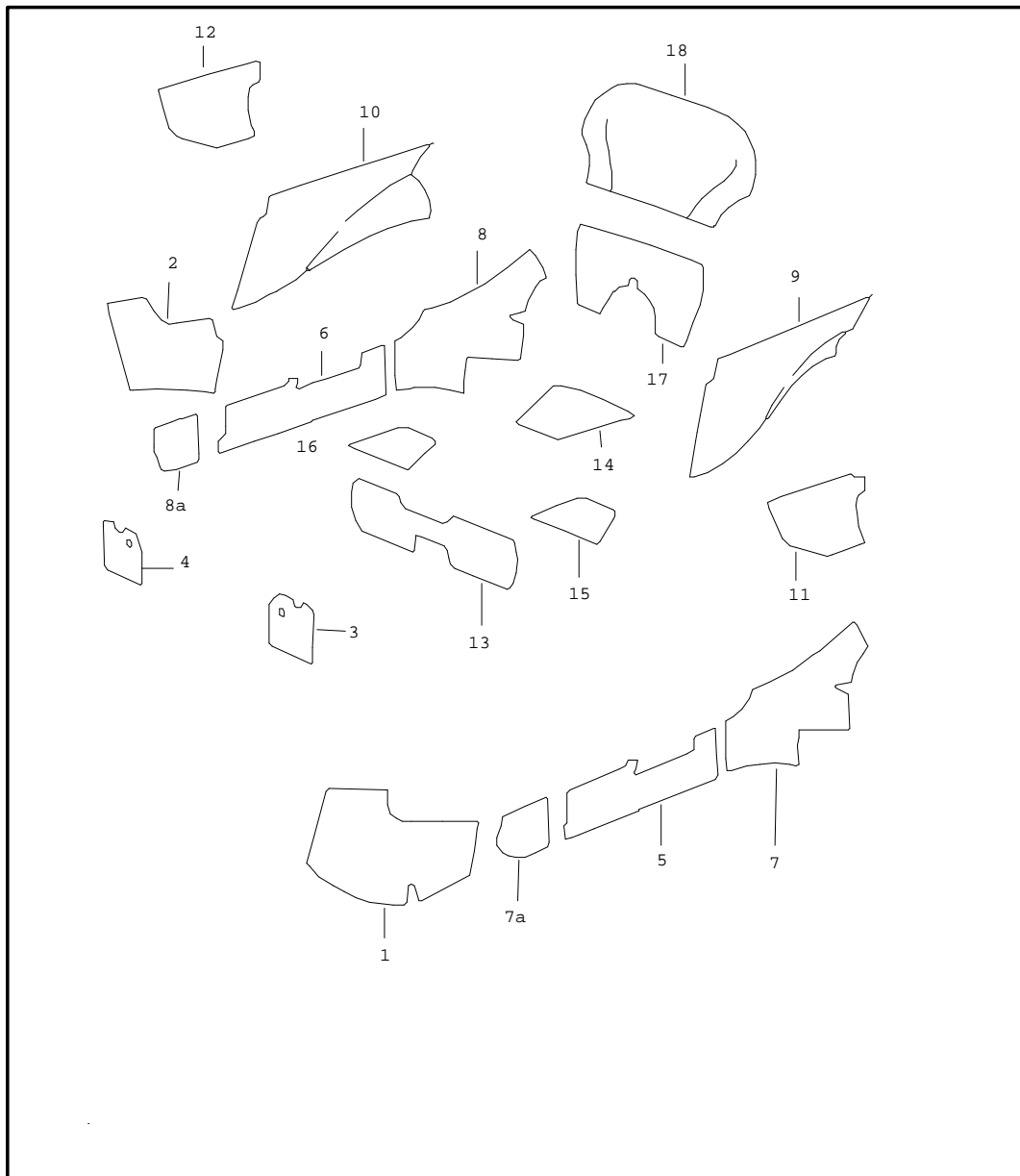
Model	Year	MG	SG	Illustration	Restrictions	Update	8:54	17.08.2004	PORSCHE	PET	PORSCHE
911	89	8	07	807-01		179					

Pos	Part Number	Name	Remarks	Qty	Model	Pos	Part Number	Name	Remarks	Qty	Model
	2XF	linen					2XF	linen			
	1VD	champagne					8UT	cashmere beige			
	8JK	greyish green					7VT	silk grey			
	4MM	plum red					9MT	velvet red			
	5UM	caramel					3WT	slate grey			
	7VM	silver-grey					5UM	caramel			
	3KM	venetian blue					3KM	venetian blue			
	6HM	silver-blue	88		JUBI		6HM	silver-blue			M 099
(25)	911 551 022 42	carpet carpet	/RL/R-88	1	TARGA/CABRIO	(25)	911 551 012 56	carpet carpet	/LL/R89	1	TARGA/CABRIO SPEEDSTER
	70E	black					5FV	black			
	5MF	mahogany					5MF	mahogany			
	3KF	marine blue					4KV	marine blue			
	80E	burgundy					8MD	burgundy			
	2XF	linen					2XF	linen			
	1VD	champagne					8UT	cashmere beige			
	8JK	greyish green					7VT	silk grey			
	4MM	plum red					9MT	velvet red			
	5UM	caramel					3WT	slate grey			
	7VM	silver-grey					5UM	caramel			
	3KM	venetian blue					3KM	venetian blue			
	6HM	silver-blue	88		JUBI		6HM	silver-blue			M 099
25	911 551 012 18	carpet carpet	/LL/R89	1	COUPE	(25)	911 551 022 03	carpet carpet	/RL/R89	1	COUPE
	5FV	black					5FV	black			
	5MF	mahogany					5MF	mahogany			
	4KV	marine blue					4KV	marine blue			
	8MD	burgundy					8MD	burgundy			

Model	Year	MG	SG	Illustration	Restrictions	Update	8:54	17.08.2004	PORSCHE	PET	PORSCHE
911	89	8	07	807-01		179					

Pos	Part Number	Name	Remarks	Qty	Model	Pos	Part Number	Name	Remarks	Qty	Model
	2XF	linen					5FV	black	89		
	8UT	cashmere beige					5MF	mahogany			
	7VT	silk grey					3KF	marine blue	-88		
	9MT	velvet red					4KV	marine blue	89		
	3WT	slate grey					80E	burgundy	-88		
	5UM	caramel					8MD	burgundy	89		
	3KM	venetian blue					2XF	linen			
	6HM	silver-blue			M 099		1VD	champagne	-88		
(25)	911 551 022 43	carpet	/RL/R89	1	TARGA/CABRIO SPEEDSTER		8JK	greyish green	-88		
		carpet					4MM	plum red	-88		
	5FV	black					5UM	caramel			
	5MF	mahogany					7VM	silver-grey	-88		
	4KV	marine blue					7VT	silk grey	89		
	8MD	burgundy					8UT	cashmere beige	89		
	2XF	linen					9MT	velvet red	89		
	8UT	cashmere beige					3WT	slate grey	89		
	7VT	silk grey					3KM	venetian blue			
	9MT	velvet red					6HM	silver-blue	88		JUBI
	3WT	slate grey					6HM	silver-blue	89		M 099
	5UM	caramel						- - - E N D - - -			
	3KM	venetian blue									
	6HM	silver-blue			M 099						
(25)	911 551 012 56	carpet	/LL/R89	1	CABRIO:M 097						
		carpet									
	1XV	pearl grey									
26	911 551 016 08	floorboard carpet	/RL/R	1							
		carpet									
	70E	black	-88								

Model	Year	MG	SG	Illustration	Restrictions	Update	8:55	17.08.2004	PORSCHE	PET	PORSCHE
911	89	8	07	807-02		179					



Pos	Part Number	Name	Remarks	Qty	Model
1	911 551 401 09	interior equipment adhesive carpets		1	
		adhesive carpet wheel housing carpet	/L	1	
		70E black	-88		
		5FV black	89		
		5MF mahogany			
		3KF marine blue	-88		
		4KV marine blue	89		
		80E burgundy	-88		
		8MD burgundy	89		
		1VD champagne			
		2XF linen			
		8JK greyish green	-88		
		4MM plum red	-88		
		5UM caramel			
		7VM silver-grey	-88		
		7VT silk grey	89		
		8UT cashmere beige	89		
		9MT velvet red	89		
		3WT slate grey	89		
		3KM venetian blue			
	6HM silver-blue	88		JUBI	
	6HM silver-blue	89		M 099	
	1XV pearl grey	89		M 097	
2	911 551 402 09	adhesive carpet wheel housing carpet	/LL/R-88	1	
		70E black			

Model	Year	MG	SG	Illustration	Restrictions	Update	8:55	17.08.2004	PORSCHE	PET	PORSCHE
911	89	8	07	807-02		179					

Pos	Part Number	Name	Remarks	Qty	Model	Pos	Part Number	Name	Remarks	Qty	Model
		5MF mahogany					5FV black				
		3KF marine blue					5MF mahogany				
		80E burgundy					4KV marine blue				
		1VD champagne					8MD burgundy				
		2XF linen					2XF linen				
		8JK greyish green					8UT cashmere beige				
		4MM plum red					7VT silk grey				
		5UM caramel					9MT velvet red				
		7VM silver-grey					3WT slate grey				
		3KM venetian blue					5UM caramel				
		6HM silver-blue	88		JUBI		3KM venetian blue				
(2)	911 551 042 11	carpet wheel housing carpet	/RL/R-88	1		(2)	911 551 042 12	adhesive carpet wheel housing carpet	/RL/R89	1	M 099
		70E black					5FV black				
		5MF mahogany					5MF mahogany				
		3KF marine blue					4KV marine blue				
		80E burgundy					8MD burgundy				
		1VD champagne					2XF linen				
		2XF linen					8UT cashmere beige				
		8JK greyish green					7VT silk grey				
		4MM plum red					9MT velvet red				
		5UM caramel					3WT slate grey				
		7VM silver-grey					5UM caramel				
		3KM venetian blue					3KM venetian blue				
		6HM silver-blue	88		JUBI		6HM silver-blue				M 099
2	911 551 402 09	adhesive carpet wheel housing carpet	/LL/R89	1							

Model	Year	MG	SG	Illustration	Restrictions	Update	8:55	17.08.2004	PORSCHE	PET	PORSCHE
911	89	8	07	807-02		179					

Pos	Part Number	Name	Remarks	Qty	Model	Pos	Part Number	Name	Remarks	Qty	Model
2	911 551 402 09	adhesive carpet wheel housing carpet	/LL/R89	1	M 097	5	911 551 031 51	carpet door sill carpet	/V/L	1	
	1XV	pearl grey					70E	black	-88		
3	911 551 077 00	adhesive carpet front carpet	/L	1	M 637		5FV	black	89		
	70E	black	-88				5MF	mahogany			
	5FV	black	89				3KF	marine blue	-88		
	5MF	mahogany					4KV	marine blue	89		
	8UT	cashmere beige	89				80E	burgundy	-88		
	3KF	marine blue	-88				8MD	burgundy	89		
	4KV	marine blue	89				1VD	champagne	-88		
	80E	burgundy	-88				2XF	linen			
	8MD	burgundy	89				8JK	greyish green	-88		
	8JK	greyish green	-88				4MM	plum red	-88		
	2XF	linen	89				5UM	caramel			
4	911 551 078 00	adhesive carpet front carpet	/R	1	M 637		7VM	silver-grey	-88		
	70E	black	-88				7VT	silk grey	89		
	5FV	black	89				8UT	cashmere beige	89		
	5MF	mahogany					9MT	velvet red	89		
	8UT	cashmere beige	89				3WT	slate grey	89		
	3KF	marine blue	-88				3KM	venetian blue			
	4KV	marine blue	89				6HM	silver-blue	88		JUBI
	80E	burgundy	-88				6HM	silver-blue	89		M 099
	8MD	burgundy	89				1XV	pearl grey	89		M 097
	8JK	greyish green	-88			(5)	911 551 031 52	adhesive carpet door sill carpet	/V/L	1	M 637
	2XF	linen	89				70E	black	-88		
							5FV	black	89		

Model	Year	MG	SG	Illustration	Restrictions	Update	8:55	17.08.2004	PORSCHE	PET	PORSCHE
911	89	8	07	807-02		179					

Pos	Part Number	Name	Remarks	Qty	Model	Pos	Part Number	Name	Remarks	Qty	Model
	5MF	mahogany					3KM	venetian blue			
	3KF	marine blue	-88				6HM	silver-blue	88		JUBI
	4KV	marine blue	89				6HM	silver-blue	89		M 099
	80E	burgundy	-88				1XV	pearl grey	89		M 097
	8MD	burgundy	89			(6)	911 551 032 52	adhesive carpet door sill carpet	/V/R	1	M 637
	2XF	linen	89				70E	black	-88		
	8UT	cashmere beige					5FV	black	89		
	8JK	greyish green	-88				5MF	mahogany			
6	911 551 032 51	carpet door sill carpet	/V/R	1			3KF	marine blue	-88		
	70E	black	-88				4FV	marine blue	89		
	5FV	black	89				80E	burgundy	-88		
	5MF	mahogany					8MD	burgundy	89		
	3KF	marine blue	-88				2XF	linen	89		
	4KV	marine blue	89				8UT	cashmere beige	89		
	80E	burgundy	-88				8JK	greyish green	-88		
	8MD	burgundy	89			7	911 551 033 02	adhesive carpet door sill carpet	/H/L	1	
	1VD	champagne	-88				70E	black	-88		
	2XF	linen					5FV	black	89		
	8JK	greyish green	-88				5MF	mahogany			
	4MM	plum red	-88				3KF	marine blue	-88		
	5UM	caramel					4KV	marine blue	89		
	7VM	silver-grey	-88				80E	burgundy	-88		
	7VT	silk grey	89				8MD	burgundy	89		
	8UT	cashmere beige	89				1VD	champagne	-88		
	9MT	velvet red	89				2XF	linen			
	3WT	slate grey	89								

Model	Year	MG	SG	Illustration	Restrictions	Update	8:55	17.08.2004	PORSCHE	PET	PORSCHE
911	89	8	07	807-02		179					

Pos	Part Number	Name	Remarks	Qty	Model	Pos	Part Number	Name	Remarks	Qty	Model
	8JK	greyish green	-88				8UT	cashmere beige	89		
	4MM	plum red	-88				9MT	velvet red	89		
	5UM	caramel					3WT	slate grey	89		
	7VM	silver-grey	-88				3KM	venetian blue			
	7VT	silk grey	89				6HM	silver-blue	88		JUBI
	8UT	cashmere beige	89				6HM	silver-blue	89		M 099
	9MT	velvet red	89			7	911 551 033 05	adhesive carpet door sill carpet	/H/L 89	1	SPEEDSTER
	3WT	slate grey	89								
	3KM	venetian blue					5FV	black	89		
	6HM	silver-blue	88		JUBI		5MF	mahogany			
	6HM	silver-blue	89		M 099		4KV	marine blue	89		
(7)	911 551 033 03	adhesive carpet door sill carpet	/H/L	1	(J)		8MD	burgundy	89		
	70E	black	-88				2XF	linen			
	5FV	black	89				5UM	caramel			
	5MF	mahogany					7VT	silk grey	89		
	3KF	marine blue	-88				8UT	cashmere beige	89		
	4KV	marine blue	89				9MT	velvet red	89		
	80E	burgundy	-88				3WT	slate grey	89		
	8MD	burgundy	89				3KM	venetian blue			
	1VD	champagne	-88			7	911 551 033 02	adhesive carpet door sill carpet	/H/L 89	1	M 097
	2XF	linen									
	8JK	greyish green	-88				1XV	pearl grey			
	4MM	plum red	-88			7A	911 551 033 04	adhesive carpet door sill carpet	/V/L	1	M 637
	5UM	caramel									
	7VM	silver-grey	-88				70E	black	-88		
	7VT	silk grey	89				5FV	black	89		

Model	Year	MG	SG	Illustration	Restrictions	Update	8:55	17.08.2004	PORSCHE	PET	PORSCHE
911	89	8	07	807-02		179					

Pos	Part Number	Name	Remarks	Qty	Model	Pos	Part Number	Name	Remarks	Qty	Model
	5MF	mahogany					3KM	venetian blue			
	3KF	marine blue	-88				6HM	silver-blue	88		JUBI
	4KV	marine blue	89				6HM	silver-blue	89		M 099
	80E	burgundy	-88			(8)	911 551 034 03	adhesive carpet door sill carpet	/H/R	1	(J)
	8MD	burgundy	89				70E	black	-88		
	2XF	linen	89				5FV	black	89		
	8UT	cashmere beige	89				5MF	mahogany			
	8JK	greyish green	-88				3KF	marine blue	-88		
8	911 551 034 02	adhesive carpet door sill carpet	/H/R	1			4KV	marine blue	89		
	70E	black	-88				80E	burgundy	-88		
	5FV	black	89				8MD	burgundy	89		
	5MF	mahogany					1VD	champagne	-88		
	3KF	marine blue	-88				2XF	linen			
	4KV	marine blue	89				8JK	greyish green	-88		
	80E	burgundy	-88				4MM	plum red	-88		
	8MD	burgundy	89				5UM	caramel			
	1VD	champagne	-88				7VM	silver-grey	-88		
	2XF	linen					7VT	silk grey	89		
	8JK	greyish green	-88				8UT	cashmere beige	89		
	4MM	plum red	-88				9MT	velvet red	89		
	5UM	caramel					3WT	slate grey	89		
	7VM	silver-grey	-88				3KM	venetian blue			
	7VT	silk grey	89				6HM	silver-blue	88		JUBI
	8UT	cashmere beige	89				6HM	silver-blue	89		M 099
	9MT	velvet red	89			8	911 551 034 05	adhesive carpet door sill carpet	/H/R 89	1	SPEEDSTER
	3WT	slate grey	89								

Model	Year	MG	SG	Illustration	Restrictions	Update	8:55	17.08.2004	PORSCHE	PET	PORSCHE
911	89	8	07	807-02		179					

Pos	Part Number	Name	Remarks	Qty	Model	Pos	Part Number	Name	Remarks	Qty	Model
	5FV	black	89			9	911 551 035 00	adhesive carpet wheel housing panel carpet	/H/L	1	M 637
	5MF	mahogany									
	4KV	marine blue	89				70E	black	-88		
	8MD	burgundy	89				5FV	black	89		
	2XF	linen					5MF	mahogany			
	5UM	caramel					3KF	marine blue	-88		
	7VT	silk grey	89				4KV	marine blue	89		
	8UT	cashmere beige	89				80E	burgundy	-88		
	9MT	velvet red	89				8MD	burgundy	89		
	3WT	slate grey	89				2XF	linen	89		
	3KM	venetian blue					8UT	cashmere beige	89		
	6HM	silver-blue	89		M 099		8JK	greyish green	-88		
8	911 551 034 02	adhesive carpet door sill carpet	/H/R 89	1	M 097	10	911 551 036 00	adhesive carpet wheel housing panel carpet	/H/R	1	M 637
	1XV	pearl grey					70E	black	-88		
8A	911 551 034 04	adhesive carpet door sill carpet	/V/R	1	M 637		5FV	black	89		
	70E	black	-88				5MF	mahogany			
	5FV	black	89				3KF	marine blue	-88		
	5MF	mahogany					4KV	marine blue	89		
	3KF	marine blue	-88				80E	burgundy	-88		
	4KV	marine blue	89				8MD	burgundy	89		
	80E	burgundy	-88				2XF	linen	89		
	8MD	burgundy	89				8UT	cashmere beige	89		
	2XF	linen	89				8JK	greyish green	-88		
	8UT	cashmere beige	89			9	911 551 035 00	adhesive carpet wheel housing panel carpet	/L 89	1	SPEDSTER
	8JK	greyish green	-88				5FV	black			

Model	Year	MG	SG	Illustration	Restrictions	Update	8:55	17.08.2004	PORSCHE	PET	PORSCHE
911	89	8	07	807-02		179					

Pos	Part Number	Name	Remarks	Qty	Model	Pos	Part Number	Name	Remarks	Qty	Model
	5MF	mahogany					80E	burgundy	-88		
	4KV	marine blue					8MD	burgundy	89		
	8MD	burgundy					1VD	champagne	-88		
	2XF	linen					2XF	linen			
	8UT	cashmere beige					8JK	greyish green	-88		
	5UM	caramel					4MM	plum red	-88		
	7VT	silk grey					5UM	caramel			
	3WT	slate grey					7VM	silver-grey	-88		
	3KM	venetian blue					7VT	silk grey	89		
10	911 551 036 00	adhesive carpet wheel housing panel carpet	/R 89	1	SPEEDSTER		8UT	cashmere beige	89		
	5FV	black					9MT	velvet red	89		
	5MF	mahogany					3WT	slate grey	89		
	4KV	marine blue					3KM	venetian blue			
	8MD	burgundy					6HM	silver-blue	88		JUBI
	2XF	linen					6HM	silver-blue	89		M 099
	8UT	cashmere beige				(11)	911 555 771 65	carpet cover carpet	/L	1	CABRIO:M 439
	5UM	caramel					70E	black	-88		
	7VT	silk grey					5FV	black	89		
	3WT	slate grey					5MF	mahogany			
	3KM	venetian blue					3KF	marine blue	-88		
11	911 555 771 61	carpet cover carpet	/L	1	CABRIO		4KV	marine blue	89		
	70E	black	-88				80E	burgundy	-88		
	5FV	black	89				8MD	burgundy	89		
	5MF	mahogany					1VD	champagne	-88		
	3KF	marine blue	-88				2XF	linen			
	4KV	marine blue	89				8JK	greyish green	-88		
							4MM	plum red	-88		

Model	Year	MG	SG	Illustration	Restrictions	Update	8:55	17.08.2004	PORSCHE	PET	PORSCHE
911	89	8	07	807-02		179					

Pos	Part Number	Name	Remarks	Qty	Model	Pos	Part Number	Name	Remarks	Qty	Model
	5UM	caramel					3KF	marine blue	-88		
	7VM	silver-grey	-88				4KV	marine blue	89		
	7VT	silk grey	89				80E	burgundy	-88		
	8UT	cashmere beige	89				8MD	burgundy	89		
	9MT	velvet red	89				1VD	champagne	-88		
	3WT	slate grey	89				2XF	linen			
	3KM	venetian blue					8JK	greyish green	-88		
	6HM	silver-blue	88		JUBI		4MM	plum red	-88		
	6HM	silver-blue	89		M 099		5UM	caramel			
(11)	911 555 771 65	carpet cover carpet	/L 89	1	CABRIO:M 097		7VM	silver-grey	-88		
	1XV	pearl grey					7VT	silk grey	89		
(11)	911 555 771 62	adhesive carpet	/L 89	1	SPEEDSTER		8UT	cashmere beige	89		
	5FV	black					9MT	velvet red	89		
	5MF	mahogany					3WT	slate grey	89		
	4KV	marine blue					3KM	venetian blue			
	8MD	burgundy					6HM	silver-blue	88		JUBI
	2XF	linen					6HM	silver-blue	89		M 099
	8UT	cashmere beige				(12)	911 555 772 65	carpet cover carpet	/R	1	CABRIO:M 439
	5UM	caramel					70E	black	-88		
	7VT	silk grey					5FV	black	89		
	3WT	slate grey					5MF	mahogany			
	3KM	venetian blue					3KF	marine blue	-88		
12	911 555 772 61	carpet cover carpet	/R	1	CABRIO		4KV	marine blue	89		
	70E	black	-88				80E	burgundy	-88		
	5FV	black	89				8MD	burgundy	89		
	5MF	mahogany					1VD	champagne	-88		
							2XF	linen			

Model	Year	MG	SG	Illustration	Restrictions	Update	8:55	17.08.2004	PORSCHE	PET	PORSCHE
911	89	8	07	807-02		179					

Pos	Part Number	Name	Remarks	Qty	Model	Pos	Part Number	Name	Remarks	Qty	Model
	8JK	greyish green	-88				70E	black	-88		
	4MM	plum red	-88				5FV	black	89		
	5UM	caramel					5MF	mahogany			
	7VM	silver-grey	-88				3KF	marine blue	-88		
	7VT	silk grey	89				4KV	marine blue	89		
	8UT	cashmere beige	89				80E	burgundy	-88		
	9MT	velvet red	89				8MD	burgundy	89		
	3WT	slate grey	89				1VD	champagne	-88		
	3KM	venetian blue					2XF	linen			
	6HM	silver-blue	88		JUBI		8JK	greyish green	-88		
	6HM	silver-blue	89		M 099		4MM	plum red	-88		
(12)	911 555 772 65	carpet cover carpet	/R 89	1	CABRIO:M 097		5UM	caramel			
	1XV	pearl grey					7VM	silver-grey	-88		
(12)	911 555 772 62	adhesive carpet carpet	/R 89	1	SPEEDSTER		7VT	silk grey	89		
	5FV	black					8UT	cashmere beige	89		
	5MF	mahogany					9MT	velvet red	89		
	4KV	marine blue					3WT	slate grey	89		
	8MD	burgundy					3KM	venetian blue			
	2XF	linen					6HM	silver-blue	88		JUBI
	8UT	cashmere beige					6HM	silver-blue	89		M 099
	5UM	caramel					1XV	pearl grey	89		M 097
	7VT	silk grey				14	911 551 023 01	adhesive carpet seat well carpet		1	CARRERA/ TURBO
	3WT	slate grey					70E	black	-88		
	3KM	venetian blue					5FV	black	89		
13	911 551 051 04	adhesive carpet heel plate carpet		1			5MF	mahogany			
							3KF	marine blue	-88		

Model	Year	MG	SG	Illustration	Restrictions	Update	8:55	17.08.2004	PORSCHE	PET	PORSCHE
911	89	8	07	807-02		179					

Pos	Part Number	Name	Remarks	Qty	Model	Pos	Part Number	Name	Remarks	Qty	Model
	4KV	marine blue	89				8UT	cashmere beige	89		
	80E	burgundy	-88				8JK	greyish green	-88		
	8MD	burgundy	89			(14)	911 551 423 07	adhesive carpet seat well carpet	89	1	SPEEDSTER
	1VD	champagne	-88				5FV	black			
	2XF	linen					5MF	mahogany			
	8JK	greyish green	-88				4KV	marine blue			
	4MM	plum red	-88				8MD	burgundy			
	5UM	caramel					2XF	linen			
	7VM	silver-grey	-88				8UT	cashmere beige			
	7VT	silk grey	89				5UM	caramel			
	8UT	cashmere beige	89				7VT	silk grey			
	9MT	velvet red	89				3WT	slate grey			
	3WT	slate grey	89				3KM	venetian blue			
	3KM	venetian blue					3KM	venetian blue			
	6HM	silver-blue	88		JUBI	15	911 551 081 00	adhesive carpet back seat carpet	/L	1	M 637
	6HM	silver-blue	89		M 099		70E	black	-88		
	1XV	pearl grey	89		M 097		5FV	black	89		
(14)	911 551 423 07	adhesive carpet seat well carpet		1	M 637		5MF	mahogany			
	70E	black	-88				3KF	marine blue	-88		
	5FV	black	89				4KV	marine blue	89		
	5MF	mahogany					80E	burgundy	-88		
	3KF	marine blue	-88				8MD	burgundy	89		
	4KV	marine blue	89				2XF	linen	89		
	80E	burgundy	-88				8UT	cashmere beige	89		
	8MD	burgundy	89				8JK	greyish green	-88		
	2XF	linen	89								

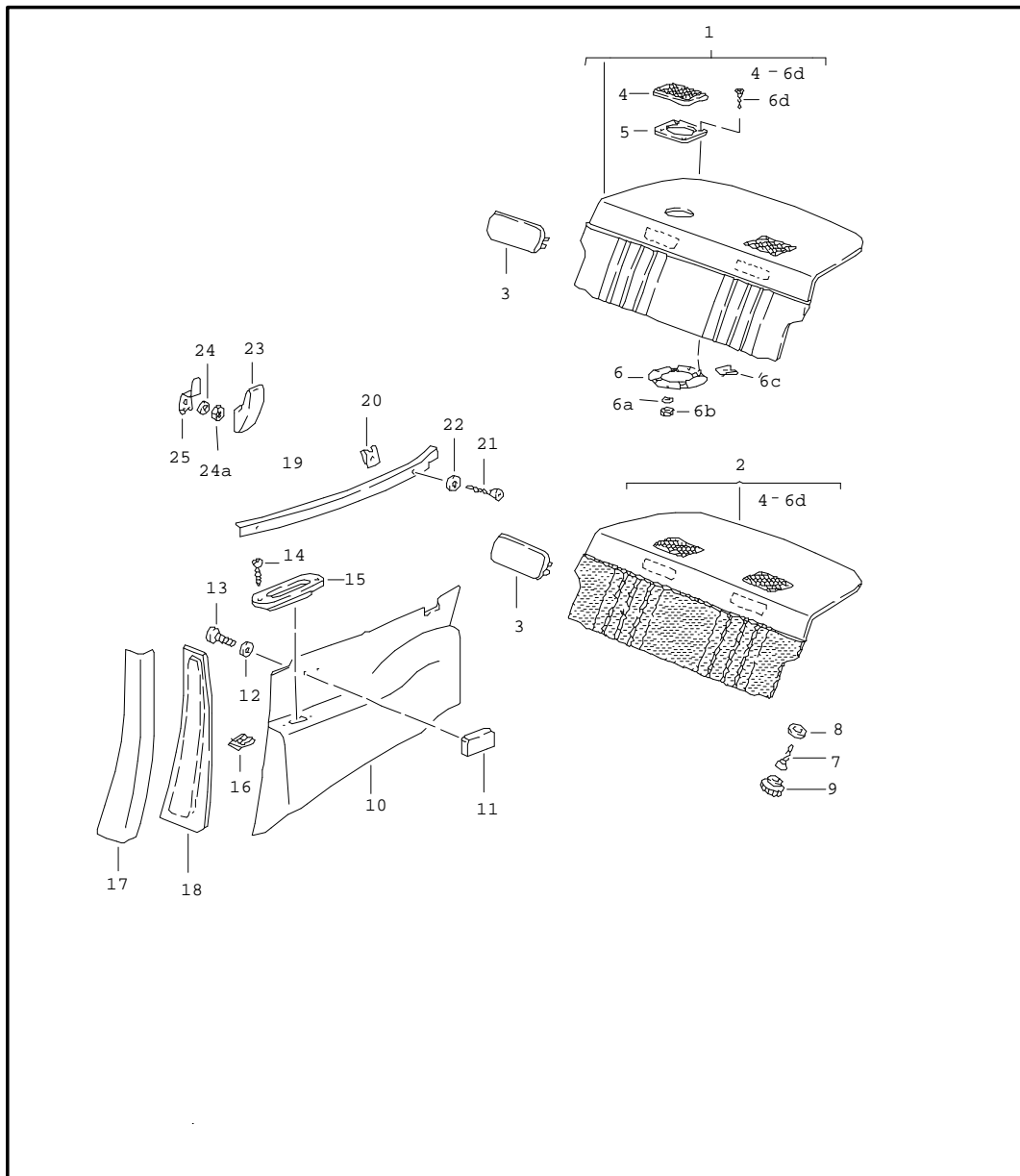
Model	Year	MG	SG	Illustration	Restrictions	Update	8:55	17.08.2004	PORSCHE	PET	PORSCHE
911	89	8	07	807-02		179					

Pos	Part Number	Name	Remarks	Qty	Model	Pos	Part Number	Name	Remarks	Qty	Model
16	911 551 082 00	adhesive carpet back seat carpet	/R	1	M 637		5MF	mahogany			
	70E	black	-88				4KV	marine blue			
	5FV	black	89				8MD	burgundy			
	5MF	mahogany					2XF	linen			
	3KF	marine blue	-88				8UT	cashmere beige			
	4KV	marine blue	89				5UM	caramel			
	80E	burgundy	-88				7VT	silk grey			
	8MD	burgundy	89				3WT	slate grey			
	2XF	linen	89				3KM	venetian blue			
	8UT	cashmere beige	89			17	911 551 054 03	adhesive carpet seat well carpet	/H	1	CARRERA/ TURBO
	8JK	greyish green	-88				70E	black	-88		
15	911 551 081 00	adhesive carpet back seat carpet	/L 89	1	SPEEDSTER		5FV	black	89		
	5FV	black					5MF	mahogany			
	5MF	mahogany					3KF	marine blue	-88		
	4KV	marine blue					4KV	marine blue	89		
	8MD	burgundy					80E	burgundy	-88		
	2XF	linen					8MD	burgundy	89		
	8UT	cashmere beige					1VD	champagne	-88		
	5UM	caramel					2XF	linen			
	7VT	silk grey					8JK	greyish green	-88		
	3WT	slate grey					4MM	plum red	-88		
	3KM	venetian blue					5UM	caramel			
16	911 551 082 00	adhesive carpet back seat carpet	/R 89	1	SPEEDSTER		7VM	silver-grey	-88		
	5FV	black					7VT	silk grey	89		
							8UT	cashmere beige	89		
							9MT	velvet red	89		

Model	Year	MG	SG	Illustration	Restrictions	Update	8:55	17.08.2004	PORSCHE	PET	PORSCHE
911	89	8	07	807-02		179					

Pos	Part Number	Name	Remarks	Qty	Model	Pos	Part Number	Name	Remarks	Qty	Model
	3WT	slate grey	89				3WT	slate grey			
	3KM	venetian blue					3KM	venetian blue			
	6HM	silver-blue	88		JUBI	18	911 551 037 00	adhesive carpet rear wall carpet		1	COUPE:M 637
	6HM	silver-blue	89		M 099						
	1XV	pearl grey	89		M 097		70E	black	-88		
(17)	911 551 054 04	adhesive carpet seat well carpet	/H	1	COUPE:M 637		5FV	black	89		
	70E	black	-88				5MF	mahogany			
	5FV	black	89				3KF	marine blue	-88		
	5MF	mahogany					4KV	marine blue	89		
	3KF	marine blue	-88				80E	burgundy	-88		
	4KV	marine blue	89				8MD	burgundy	89		
	80E	burgundy	-88				2XF	linen	89		
	8MD	burgundy	89				8UT	cashmere beige	89		
	2XF	linen	89			18	911 551 037 01	adhesive carpet rear wall carpet	89	1	SPEEDSTER
	8UT	cashmere beige	89				8JK	greyish green	-88		
(17)	911 551 054 04	adhesive carpet seat well carpet	/H	89	1 SPEEDSTER		5FV	black			
	8JK	greyish green	-88				5MF	mahogany			
	5FV	black					4KV	marine blue			
	5MF	mahogany					8MD	burgundy			
	4KV	marine blue					2XF	linen			
	8MD	burgundy					8UT	cashmere beige			
	2XF	linen					5UM	caramel			
	8UT	cashmere beige					7VT	silk grey			
	5UM	caramel					3WT	slate grey			
	7VT	silk grey					3KM	venetian blue			
								- - - E N D - - -			

Model	Year	MG	SG	Illustration	Restrictions	Update	8:55	17.08.2004	PORSCHE	PET	PORSCHE
911	89	8	07	807-05		179					



Pos	Part Number	Name	Remarks	Qty	Model
1	911 555 111 10	interior equipment rear back wall lining leatherette upper part/lower part		1	COUPE/TARGA COUPE
	05T	black/black			
	1MX	mahogany/mahogany			
	1KX	marine blue/marine blue			
	3MK	burgundy/burgundy			
	4JX	greyish green/grey-green	-88		
	TT3	black/linen			
	TT5	mahogany/linen			
	TT4	marine blue/linen			
	TT6	burgundy/linen			
	TT7	greyish green/linen	-88		
	XN8	black/cashmere beige	89		
	XP2	marine blue/cashmere beige	89		
(1)	911 555 111 12	back wall lining leatherette upper part/lower part		1	COUPE:M 335
	05T	black/black			
	1MX	mahogany/mahogany			
	1KX	marine blue/marine blue			
	3MK	burgundy/burgundy			
	4JX	greyish green/grey-green	-88		
	TT3	black/linen			
	TT5	mahogany/linen			
	TT4	marine blue/linen			
	TT6	burgundy/linen			
	TT7	greyish green/linen	-88		

Model	Year	MG	SG	Illustration	Restrictions	Update	8:55	17.08.2004	PORSCHE	PET	PORSCHE
911	89	8	07	807-05		179					

Pos	Part Number	Name	Remarks	Qty	Model	Pos	Part Number	Name	Remarks	Qty	Model
	XN8	black/cashmere beige	89				TT7	greyish green/linen	-88		
	XP2	marine blue/cashmere beige	89				XN8	black/cashmere beige	89		
1	911 555 112 00	back wall lining leatherette upper part/lower part		1	TARGA	1	911 555 111 11	back wall lining whole-leather upper part/lower part		1	COUPE
	05T	black/black					KZ2	black/black			
	1MX	mahogany/mahogany					TV1	mahogany/mahogany			
	1KX	marine blue/marine blue					TS1	marine blue/marine blue			
	3MK	burgundy/burgundy					LG7	burgundy/burgundy			
	4JX	greyish green/grey-green	-88				TV6	black/linen			
	TT3	black/linen					QC2	greyish green/grey-green	-88		
	TT5	mahogany/linen					TV8	mahogany/linen			
	TT4	marine blue/linen					TV7	marine blue/linen			
	TT6	burgundy/linen					TV9	burgundy/linen			
	TT7	greyish green/linen	-88				TV8	greyish green/linen	-88		
	XN8	black/cashmere beige	89				UB7	black/lipstick red	-88		
	XP2	marine blue/cashmere beige	89				LL9	black/champagne	-88		
(1)	911 555 112 02	back wall lining leatherette upper part/lower part		1	TARGA:M 335		UC1	marine blue/lipstick red	-88		
	05T	black/black					UB8	black/silver grey	-88		
	1MX	mahogany/mahogany					UB9	marine blue/silver-grey	-88		
	1KX	marine blue/marine blue					UC2	marine blue/champagne	-88		
	3MK	burgundy/burgundy					UD5	caramel/caramel			
	4JX	greyish green/grey-green	-88				UD6	venetian bl./venetian blue			
	TT3	black/linen					XP1	black/cashmere beige	89		
	TT5	mahogany/linen					XP4	marine blue/cashmere beige	89		
	TT4	marine blue/linen					XP6	black/silk grey	89		
	TT6	burgundy/linen					XP8	marine blue/silk grey	89		

Model	Year	MG	SG	Illustration	Restrictions	Update	8:55	17.08.2004	PORSCHE	PET	PORSCHE
911	89	8	07	807-05		179					

Pos	Part Number	Name	Remarks	Qty	Model	Pos	Part Number	Name	Remarks	Qty	Model
	XN6	velvet red/velvet red	89				XN7	slate grey/slate grey	89		
	XN7	slate grey/slate grey	89			1	911 555 112 01	back wall lining whole-leather upper part/lower part		1	TARGA
(1)	911 555 111 13	back wall lining whole-leather upper part/lower part		1	COUPE:M 335						
	KZ2	black/black					KZ2	black/black			
	TV1	mahogany/mahogany					TV1	mahogany/mahogany			
	TS1	marine blue/marine blue					TS1	marine blue/marine blue			
	LG7	burgundy/burgundy					LG7	burgundy/burgundy			
	TV6	black/linen					TV6	black/linen			
	QC2	greyish green/grey-green	-88				QC2	greyish green/grey-green	-88		
	TV8	mahogany/linen					TV8	mahogany/linen			
	TV7	marine blue/linen					TV7	marine blue/linen			
	TV9	burgundy/linen					TV9	burgundy/linen			
	TW8	greyish green/linen	-88				TW8	greyish green/linen	-88		
	UB7	black/lipstick red	-88				UB7	black/lipstick red	-88		
	LL9	black/champagne	-88				LL9	black/champagne	-88		
	UC1	marine blue/lipstick red	-88				UC1	marine blue/lipstick red	-88		
	UB8	black/silver grey	-88				UB8	black/silver grey	-88		
	UB9	marine blue/silver-grey	-88				UB9	marine blue/silver-grey	-88		
	UC2	marine blue/champagne	-88				UC2	marine blue/champagne	-88		
	UD5	caramel/caramel					UD5	caramel/caramel			
	UD6	venetian bl./venetian blue					UD6	venetian bl./venetian blue			
	XP1	black/cashmere beige	89				XP1	black/cashmere beige	89		
	XP4	marine blue/cashmere beige	89				XP4	marine blue/cashmere beige	89		
	XP6	black/silk grey	89				XP6	black/silk grey	89		
	XP8	marine blue/silk grey	89				XP8	marine blue/silk grey	89		
	XN6	velvet red/velvet red	89				XN6	velvet red/velvet red	89		
	XN7	slate grey/slate grey	89				XN7	slate grey/slate grey	89		

Model	Year	MG	SG	Illustration	Restrictions	Update	8:55	17.08.2004	PORSCHE	PET	PORSCHE
911	89	8	07	807-05		179					

Pos	Part Number	Name	Remarks	Qty	Model	Pos	Part Number	Name	Remarks	Qty	Model
(1)	911 555 112 03	back wall lining whole-leather upper part/lower part		1	TARGA:M 335	1	911 555 111 11	back wall lining whole-leather upper part/lower part	89	1	COUPE:M 099
	KZ2	black/black					SR8	blue/ blue metallic			
	TV1	mahogany/mahogany				(1)	911 555 111 13	back wall lining whole-leather upper part/lower part	89	1	COUPE:M 099/ M 335
	TS1	marine blue/marine blue					SR8	blue/ blue metallic			
	LG7	burgundy/burgundy				1	911 555 111 18	back wall lining leatherette/leather upper part/lower part		1	COUPE
	TV6	black/linen					QX4	black/black			
	QC2	greyish green/grey-green	-88				TZ9	mahogany/mahogany			
	TV8	mahogany/linen					TZ3	marine blue/marine blue			
	TV7	marine blue/linen					QX7	burgundy/burgundy			
	TV9	burgundy/linen					QX8	greyish green/grey-green	-88		
	TW8	greyish green/linen	-88				TW3	black/linen			
	UB7	black/lipstick red	-88				TW5	mahogany/linen			
	LL9	black/champagne	-88				QY2	black/champagne	-88		
	UC1	marine blue/lipstick red	-88				TW4	marine blue/linen			
	UB8	black/silver grey	-88				TW6	burgundy/linen			
	UB9	marine blue/silver-grey	-88				TW7	greyish green/linen	-88		
	UC2	marine blue/champagne	-88				UD7	black/lipstick red	-88		
	UD5	caramel/caramel					UR1	marine blue/lipstick red	-88		
	UD6	venetian bl./venetian blue					UD8	black/silver grey	-88		
	XP1	black/cashmere beige	89				UD9	marine blue/silver-grey	-88		
	XP4	marine blue/cashmere beige	89				UR2	marine blue/champagne	-88		
	XP6	black/silk grey	89				XN9	black/cashmere beige	89		
	XP8	marine blue/silk grey	89				XP3	marine blue/cashmere beige	89		
	XN6	velvet red/velvet red	89								
	XN7	slate grey/slate grey	89								

Model	Year	MG	SG	Illustration	Restrictions	Update	8:55	17.08.2004	PORSCHE	PET	PORSCHE
911	89	8	07	807-05		179					

Pos	Part Number	Name	Remarks	Qty	Model	Pos	Part Number	Name	Remarks	Qty	Model	
(1)	911 555 111 19	XP5	black/silk grey	89	COUPE:M 335	(1)	911 555 112 09	TZ9	mahogany/mahogany		TARGA:M 335	
		XP7	marine blue/silk grey	89				TZ3	marine blue/marine blue			
			back wall lining leatherette/leather upper part/lower part					1	QX7	burgundy/burgundy		
		QX4	black/black					QX8	greyish green/grey-green	-88		
		TZ9	mahogany/mahogany					TW3	black/linen			
		TZ3	marine blue/marine blue					TW5	mahogany/linen			
		QX7	burgundy/burgundy					QY2	black/champagne	-88		
		QX8	greyish green/grey-green	-88				TW4	marine blue/linen			
		TW3	black/linen					TW6	burgundy/linen			
		TW5	mahogany/linen					TW7	greyish green/linen	-88		
		QY2	black/champagne	-88				UD7	black/lipstick red	-88		
		TW4	marine blue/linen					UR1	marine blue/lipstick red	-88		
		TW6	burgundy/linen					UD8	black/silver grey	-88		
		TW7	greyish green/linen	-88				UD9	marine blue/silver-grey	-88		
		UD7	black/lipstick red	-88				UR2	marine blue/champagne	-88		
		UR1	marine blue/lipstick red	-88				XN9	black/cashmere beige	89		
		UD8	black/silver grey	-88				XP3	marine blue/cashmere beige	89		
		UD9	marine blue/silver-grey	-88				XP5	black/silk grey	89		
		UR2	marine blue/champagne	-88				XP7	marine blue/silk grey	89		
		1	911 555 112 08					back wall lining leatherette/leather upper part/lower part		TARGA		1
QX4	black/black				QX4	black/black						
					TZ9	mahogany/mahogany						
					TZ3	marine blue/marine blue						
								QX7	burgundy/burgundy			
								QX8	greyish green/grey-green	-88		
								TW3	black/linen			

Model	Year	MG	SG	Illustration	Restrictions	Update	8:55	17.08.2004	PORSCHE	PET	PORSCHE
911	89	8	07	807-05		179					

Pos	Part Number	Name	Remarks	Qty	Model	Pos	Part Number	Name	Remarks	Qty	Model
	TW5	mahogany/linen					WR3	black/ blue metallic	88		JUBI
	QY2	black/champagne	-88			(1)	911 555 112 08	back wall lining leatherette/leather upper part/lower part	88	1	TARGA
	TW4	marine blue/linen					WR3	black/ blue metallic	88		JUBI
	TW6	burgundy/linen				(1)	911 555 112 09	back wall lining leatherette/leather upper part/lower part	88	1	TARGA:M 335
	TW7	greyish green/linen	-88				WR3	black/ blue metallic	88		JUBI
	UD7	black/lipstick red	-88			2	911 555 111 14	back wall lining upper part/lower part leatherette/ cloth pin stripe velour		1	COUPE
	UR1	marine blue/lipstick red	-88				7BN	black/ black-white			
	UD8	black/silver grey	-88				6LN	mahogany/ mahogany-white			
	UD9	marine blue/silver-grey	-88				TS6	blue/ blue-white			
	UR2	marine blue/champagne	-88				1MJ	burgundy/ burgundy-white			
	XN9	black/cashmere beige	89				3JV	greyish green/ greyish green-white	-88		
	XP3	marine blue/cashmere beige	89				XU2	black/ linen white	89		
	XP5	black/silk grey	89				SJ8	black/ cashmere beige-white	89		
	XP7	marine blue/silk grey	89				XU8	mahogany/ linen white	89		
1	911 555 111 18	back wall lining leatherette/leather upper part/lower part	89	1	COUPE:M 099		XY5	blue/ linen white	89		
	SR6	blue/ blue metallic					SK5	blue/ cashmere beige-white	89		
(1)	911 555 111 19	back wall lining leatherette/leather upper part/lower part		1	COUPE:M 099/ M 335						
	SR6	blue/ blue metallic									
1	911 555 111 18	back wall lining leatherette/leather upper part/lower part	88	1	COUPE						
	WR3	black/ blue metallic	88		JUBI						
1	911 555 111 19	back wall lining leatherette/leather upper part/lower part	88	1	COUPE:M 335						

Model	Year	MG	SG	Illustration	Restrictions	Update	8:55	17.08.2004	PORSCHE	PET	PORSCHE
911	89	8	07	807-05		179					

Pos	Part Number	Name	Remarks	Qty	Model	Pos	Part Number	Name	Remarks	Qty	Model
(2)	911 555 111 15	SJ2	burgundy/ linen white	89	COUPE:M 335	(2)	911 555 112 05	TS6	blue/ blue-white		TARGA:M 335
		back wall lining upper part/lower part leatherette/ cloth pin stripe velour	1	1MJ				burgundy/ burgundy-white			
		7BN	black/ black-white					3JV	greyish green/ greyish green-white	-88	
		6LN	mahogany/ mahogany-white					XU2	black/ linen white	89	
		TS6	blue/ blue-white					SJ8	black/ cashmere beige-white	89	
		1MJ	burgundy/ burgundy-white					XU8	mahogany/ linen white	89	
		3JV	greyish green/ greyish green-white	-88				XY5	blue/ linen white	89	
		XU2	black/ linen white	89				SK5	blue/ cashmere beige-white	89	
		SJ8	black/ cashmere beige-white	89				SJ2	burgundy/ linen white	89	
		XU8	mahogany/ linen white	89				back wall lining upper part/lower part leatherette/ cloth pin stripe velour	1		
		XY5	blue/ linen white	89				7BN	black/ black-white		
		SK5	blue/ cashmere beige-white	89				6LN	mahogany/ mahogany-white		
		SJ2	burgundy/ linen white	89				TS6	blue/ blue-white		
2	911 555 112 04	back wall lining upper part/lower part leatherette/ cloth pin stripe velour	1	TARGA	(2)	911 555 112 05	1MJ	burgundy/ burgundy-white			
		7BN	black/ black-white				3JV	greyish green/ greyish green-white	-88		
		6LN	mahogany/ mahogany-white				XU2	black/ linen white	89		
							SJ8	black/ cashmere beige-white	89		

Model	Year	MG	SG	Illustration	Restrictions	Update	8:55	17.08.2004	PORSCHE	PET	PORSCHE
911	89	8	07	807-05		179					

Pos	Part Number	Name	Remarks	Qty	Model	Pos	Part Number	Name	Remarks	Qty	Model
	XU8	mahogany/ linen white	89				TS7	marine blue/blue	-88		
	XY5	blue/ linen white	89				1MF	burgundy/burgundy	-88		
	SK5	blue/ cashmere beige-white	89			(2)	9JF	greyish green/grey-green	-88		
	SJ2	burgundy/ linen white	89				911 555 112 05	back wall lining upper part/lower part leatherette/ cloth pin stripe flannel	-88	1	TARGA:M 335
2	911 555 111 14	back wall lining upper part/lower part leatherette/ cloth pin stripe flannel	-88	1	COUPE		8BF	black/anthracite	-88		
	8BF	black/anthracite	-88				9LF	mahogany/mahogany	-88		
	9LF	mahogany/mahogany	-88				TS7	marine blue/blue	-88		
	TS7	marine blue/blue	-88				1MF	burgundy/burgundy	-88		
	1MF	burgundy/burgundy	-88				9JF	greyish green/grey-green	-88		
	9JF	greyish green/grey-green	-88			2	911 555 111 14	back wall lining upper part/lower part leatherette/ cloth multicolour	89	1	COUPE
(2)	911 555 111 15	back wall lining upper part/lower part leatherette/ cloth pin stripe flannel	-88	1	COUPE:M 335		2VV	black/black	89		
	8BF	black/anthracite	-88				8XV	mahogany/mahogany	89		
	9LF	mahogany/mahogany	-88				9JV	marine blue/marine blue	89		
	TS7	marine blue/blue	-88				1MV	burgundy/burgundy	89		
	1MF	burgundy/burgundy	-88				XU4	black/linen	89		
	9JF	greyish green/grey-green	-88				SK1	black/cashmere beige	89		
2	911 555 112 04	back wall lining upper part/lower part leatherette/ cloth pin stripe flannel	-88	1	TARGA		XY1	mahogany/linen	89		
	8BF	black/anthracite	-88				XY7	marine blue/linen	89		
	9LF	mahogany/mahogany	-88				SK7	marine blue/cashmere beige	89		
							SJ4	burgundy/linen	89		
						(2)	911 555 111 15	back wall lining upper part/lower part leatherette/ cloth multicolour	89	1	COUPE:M 335

Model	Year	MG	SG	Illustration	Restrictions	Update	8:55	17.08.2004	PORSCHE	PET	PORSCHE
911	89	8	07	807-05		179					

Pos	Part Number	Name	Remarks	Qty	Model	Pos	Part Number	Name	Remarks	Qty	Model
	2VV	black/black	89				8XV	mahogany/mahogany	89		
	8XV	mahogany/mahogany	89				9JV	marine blue/marine blue	89		
	9JV	marine blue/marine blue	89				1MV	burgundy/burgundy	89		
	1MV	burgundy/burgundy	89				XU4	black/linen	89		
	XU4	black/linen	89				SK1	black/cashmere beige	89		
	SK1	black/cashmere beige	89				XY1	mahogany/linen	89		
	XY1	mahogany/linen	89				XY7	marine blue/linen	89		
	XY7	marine blue/linen	89				SK7	marine blue/cashmere beige	89		
	SK7	marine blue/cashmere beige	89				SJ4	burgundy/linen	89		
	SJ4	burgundy/linen	89			2	911 555 111 14	back wall lining upper part/lower part leatherette/ porsche lettering cloth		1	COUPE
2	911 555 112 04	back wall lining upper part/lower part leatherette/ cloth multicolour	89	1	TARGA		2CZ	black/black			
	2VV	black/black	89				4MR	mahogany/mahogany			
	8XV	mahogany/mahogany	89				TS8	marine blue/blue			
	9JV	marine blue/marine blue	89				5LZ	burgundy/burgundy			
	1MV	burgundy/burgundy	89				1JK	greyish green/grey-green	-88		
	XU4	black/linen	89				XU3	black/linen	89		
	SK1	black/cashmere beige	89				SJ9	black/cashmere beige	89		
	XY1	mahogany/linen	89				XU9	mahogany/linen	89		
	XY7	marine blue/linen	89				XY6	marine blue/linen	89		
	SK7	marine blue/cashmere beige	89				SK6	marine blue/cashmere beige	89		
	SJ4	burgundy/linen	89				SJ3	burgundy/linen	89		
(2)	911 555 112 05	back wall lining upper part/lower part leatherette/ cloth multicolour	89	1	TARGA:M 335	(2)	911 555 111 15	back wall lining upper part/lower part leatherette/ porsche lettering cloth		1	COUPE:M 335
	2VV	black/black	89				2CZ	black/black			
							4MR	mahogany/mahogany			

Model	Year	MG	SG	Illustration	Restrictions	Update	8:55	17.08.2004	PORSCHE	PET	PORSCHE
911	89	8	07	807-05		179					

Pos	Part Number	Name	Remarks	Qty	Model	Pos	Part Number	Name	Remarks	Qty	Model
	TS8	marine blue/blue					TS8	marine blue/blue			
	5LZ	burgundy/burgundy					5LZ	burgundy/burgundy			
	1JK	greyish green/grey-green	-88				1JK	greyish green/grey-green	-88		
	XU3	black/linen	89				XU3	black/linen	89		
	SJ9	black/cashmere beige	89				SJ9	black/cashmere beige	89		
	XU9	mahogany/linen	89				XU9	mahogany/linen	89		
	XY6	marine blue/linen	89				XY6	marine blue/linen	89		
	SK6	marine blue/cashmere beige	89				SK6	marine blue/cashmere beige	89		
	SJ3	burgundy/linen	89				SJ3	burgundy/linen	89		
2	911 555 112 04	back wall lining upper part/lower part leatherette/ porsche lettering cloth		1	TARGA	2	911 555 111 16	back wall lining upper part/lower part leather/ cloth pin stripe velour		1	COUPE
	2CZ	black/black					7BN	black/ black-white			
	4MR	mahogany/mahogany					6LN	mahogany/ mahogany-white			
	TS8	marine blue/blue					TS9	blue/ blue-white			
	5LZ	burgundy/burgundy					1MJ	burgundy/ burgundy-white			
	1JK	greyish green/grey-green	-88				3JV	greyish green/ greyish green-white	-88		
	XU3	black/linen	89				XU5	black/ linen white	89		
	SJ9	black/cashmere beige	89				SK2	black/ cashmere beige-white	89		
	XU9	mahogany/linen	89				XY2	mahogany/ linen white	89		
	XY6	marine blue/linen	89				XY8	blue/ linen white	89		
	SK6	marine blue/cashmere beige	89				SK8	blue/ cashmere beige-white	89		
	SJ3	burgundy/linen	89								
(2)	911 555 112 05	back wall lining upper part/lower part leatherette/ porsche lettering cloth		1	TARGA:M 335						
	2CZ	black/black									
	4MR	mahogany/mahogany									

Model	Year	MG	SG	Illustration	Restrictions	Update	8:55	17.08.2004	PORSCHE	PET	PORSCHE
911	89	8	07	807-05		179					

Pos	Part Number	Name	Remarks	Qty	Model	Pos	Part Number	Name	Remarks	Qty	Model
(2)	911 555 111 17	SJ5	burgundy/ linen white	89	COUPE:M 335	(2)	911 555 112 07	TS9	blue/ blue-white		TARGA:M 335
		back wall lining upper part/lower part leather/ cloth pin stripe velour	1	1MJ				burgundy/ burgundy-white			
		7BN	black/ black-white					3JV	greyish green/ greyish green-white	-88	
		6LN	mahogany/ mahogany-white					XU5	black/ linen white	89	
		TS9	blue/ blue-white					SK2	black/ cashmere beige-white	89	
		1MJ	burgundy/ burgundy-white					XY2	mahogany/ linen white	89	
		3JV	greyish green/ greyish green-white	-88				XY8	blue/ linen white	89	
		XU5	black/ linen white	89				SK8	blue/ cashmere beige-white	89	
		SK2	black/ cashmere beige-white	89				SJ5	burgundy/ linen white	89	
		XY2	mahogany/ linen white	89				back wall lining upper part/lower part leather/ cloth pin stripe velour			
		XY8	blue/ linen white	89				7BN	black/ black-white		
		SK8	blue/ cashmere beige-white	89				6LN	mahogany/ mahogany-white		
		SJ5	burgundy/ linen white	89				TS9	blue/ blue-white		
		2	911 555 112 06	back wall lining upper part/lower part leather/ cloth pin stripe velour				1	TARGA	1MJ	
7BN	black/ black-white				3JV	greyish green/ greyish green-white	-88				
6LN	mahogany/ mahogany-white				XU5	black/ linen white	89				
					SK2	black/ cashmere beige-white	89				

Model	Year	MG	SG	Illustration	Restrictions	Update	8:55	17.08.2004	PORSCHE	PET	PORSCHE
911	89	8	07	807-05		179					

Pos	Part Number	Name	Remarks	Qty	Model	Pos	Part Number	Name	Remarks	Qty	Model
	XY2	mahogany/ linen white	89				TT1	marine blue/blue	-88		
	XY8	blue/ linen white	89				1MF	burgundy/burgundy	-88		
	SK8	blue/ cashmere beige-white	89			(2)	9JF	greyish green/grey-green	-88		
	SJ5	burgundy/ linen white	89				911 555 112 07	back wall lining upper part/lower part leather/ cloth pin stripe flannel	-88	1	TARGA:M 335
2	911 555 111 16	back wall lining upper part/lower part leather/ cloth pin stripe flannel	-88	1	COUPE		8BF	black/anthracite	-88		
	8BF	black/anthracite	-88				9LF	mahogany/mahogany	-88		
	9LF	mahogany/mahogany	-88				TT1	marine blue/blue	-88		
	TT1	marine blue/blue	-88				1MF	burgundy/burgundy	-88		
	1MF	burgundy/burgundy	-88				9JF	greyish green/grey-green	-88		
	9JF	greyish green/grey-green	-88			2	911 555 111 16	back wall lining upper part/lower part leather/ cloth multicolour	89	1	COUPE
(2)	911 555 111 17	back wall lining upper part/lower part leather/ cloth pin stripe flannel	-88	1	COUPE:M 335		2VV	black/black	89		
	8BF	black/anthracite	-88				8XV	mahogany/mahogany	89		
	9LF	mahogany/mahogany	-88				9JV	marine blue/marine blue	89		
	TT1	marine blue/blue	-88				1MV	burgundy/burgundy	89		
	1MF	burgundy/burgundy	-88				XU7	black/linen	89		
	9JF	greyish green/grey-green	-88				SK4	black/cashmere beige	89		
2	911 555 112 06	back wall lining upper part/lower part leather/ cloth pin stripe flannel	-88	1	TARGA		XY4	mahogany/linen	89		
	8BF	black/anthracite	-88				SJ1	marine blue/linen	89		
	9LF	mahogany/mahogany	-88				SL1	marine blue/cashmere beige	89		
							SJ7	burgundy/linen	89		
						(2)	911 555 111 17	back wall lining upper part/lower part leather/ cloth multicolour	89	1	COUPE:M 335
	8BF	black/anthracite	-88								
	9LF	mahogany/mahogany	-88								

Model	Year	MG	SG	Illustration	Restrictions	Update	8:55	17.08.2004	PORSCHE	PET	PORSCHE
911	89	8	07	807-05		179					

Pos	Part Number	Name	Remarks	Qty	Model	Pos	Part Number	Name	Remarks	Qty	Model
	2VV	black/black	89				8XV	mahogany/mahogany	89		
	8XV	mahogany/mahogany	89				9JV	marine blue/marine blue	89		
	9JV	marine blue/marine blue	89				1MV	burgundy/burgundy	89		
	1MV	burgundy/burgundy	89				XU7	black/linen	89		
	XU7	black/linen	89				SK4	black/cashmere beige	89		
	SK4	black/cashmere beige	89				XY4	mahogany/linen	89		
	XY4	mahogany/linen	89				SJ1	marine blue/linen	89		
	SJ1	marine blue/linen	89				SL1	marine blue/cashmere beige	89		
	SL1	marine blue/cashmere beige	89				SJ7	burgundy/linen	89		
	SJ7	burgundy/linen	89			2	911 555 111 16	back wall lining upper part/lower part leather/ porsche lettering cloth		1	COUPE
2	911 555 112 06	back wall lining upper part/lower part leather/ cloth multicolour	89	1	TARGA		2CZ	black/black			
	2VV	black/black	89				4MR	mahogany/mahogany			
	8XV	mahogany/mahogany	89				TT2	marine blue/blue			
	9JV	marine blue/marine blue	89				5LZ	burgundy/burgundy			
	1MV	burgundy/burgundy	89				1JK	greyish green/grey-green	-88		
	XU7	black/linen	89				XU6	black/linen	89		
	SK4	black/cashmere beige	89				SK3	black/cashmere beige	89		
	XY4	mahogany/linen	89				XY3	mahogany/linen	89		
	SJ1	marine blue/linen	89				XY9	marine blue/linen	89		
	SL1	marine blue/cashmere beige	89				SK9	marine blue/cashmere beige	89		
	SJ7	burgundy/linen	89				SJ6	burgundy/linen	89		
(2)	911 555 112 07	back wall lining upper part/lower part leather/ cloth multicolour	89	1	TARGA:M 335	(2)	911 555 111 17	back wall lining upper part/lower part leather/ porsche lettering cloth		1	COUPE:M 335
	2VV	black/black	89				2CZ	black/black			
							4MR	mahogany/mahogany			

Model	Year	MG	SG	Illustration	Restrictions	Update	8:55	17.08.2004	PORSCHE	PET	PORSCHE
911	89	8	07	807-05		179					

Pos	Part Number	Name	Remarks	Qty	Model	Pos	Part Number	Name	Remarks	Qty	Model
	TT2	marine blue/blue					TT2	marine blue/blue			
	5LZ	burgundy/burgundy					5LZ	burgundy/burgundy			
	1JK	greyish green/grey-green	-88				1JK	greyish green/grey-green	-88		
	XU6	black/linen	89				XU6	black/linen	89		
	SK3	black/cashmere beige	89				SK3	black/cashmere beige	89		
	XY3	mahogany/linen	89				XY3	mahogany/linen	89		
	XY9	marine blue/linen	89				XY9	marine blue/linen	89		
	SK9	marine blue/cashmere beige	89				SK9	marine blue/cashmere beige	89		
	SJ6	burgundy/linen	89				SJ6	burgundy/linen	89		
2	911 555 112 06	back wall lining upper part/lower part leather/ porsche lettering cloth		1	TARGA	3	911 555 627 00	trim		2	M 335
	2CZ	black/black				(4)	911 555 019 00	loudspeaker grille	87	2	
	4MR	mahogany/mahogany				4	944 555 149 00	loudspeaker grille	88-	2	
	TT2	marine blue/blue					01C	black			
	5LZ	burgundy/burgundy					01C	satin black			
	1JK	greyish green/grey-green	-88			5	944 555 159 00	frame for loudspeaker	88-	2	
	XU6	black/linen	89			6	911 555 215 00	support	88-	2	
	SK3	black/cashmere beige	89			6A	900 025 002 02	washer A 4,3	88-	8	
	XY3	mahogany/linen	89			6B	N 011 004 6	hexagon nut M 4	88-	8	
	XY9	marine blue/linen	89			6C	999 591 575 02	speed nut B 4,2	87	8	
	SK9	marine blue/cashmere beige	89			6C	999 507 032 02	speed nut B 3,9	88-	8	
	SJ6	burgundy/linen	89			6D	900 145 084 07	tapping screw B 4,2 X 19	87	8	
(2)	911 555 112 07	back wall lining upper part/lower part leather/ porsche lettering cloth		1	TARGA:M 335	6D	900 143 178 07	oval-head sheetmetal screw B 3,9 X 22	88-	8	
	2CZ	black/black				7	900 145 072 07	tapping screw B 3,5 X 22		2	
	4MR	mahogany/mahogany									

Model	Year	MG	SG	Illustration	Restrictions	Update	8:55	17.08.2004	PORSCHE	PET	PORSCHE
911	89	8	07	807-05		179					

Pos	Part Number	Name	Remarks	Qty	Model	Pos	Part Number	Name	Remarks	Qty	Model
(7)	900 145 008 07	tapping screw B 3,5 X 32		2	M 335		4WX	linen			
8	999 591 102 17	washer		2			4JX	greyish green	-88		
8	900 151 024 40	washer A 4,3		4	M 335		7RT	cashmere beige	89		
9	911 803 521 00	knurled head		4	M 335	(10)	911 555 072 47	side trim panel leatherette	/R	1	TARGA
(10)	911 555 071 05	side trim panel leatherette	/L	1	COUPE		3MK	burgundy			
	3MK	burgundy					1MX	mahogany			
	1MX	mahogany					05T	black			
	05T	black					1KV	marine blue			
	1KV	marine blue					4WX	linen			
	4WX	linen					4JX	greyish green	-88		
	4JX	greyish green	-88			(10)	911 555 071 74	side trim panel leather	/L	1	COUPE
	7RT	cashmere beige	89				7RT	cashmere beige	89		
(10)	911 555 071 47	side trim panel leatherette	/L	1	TARGA		LG7	burgundy			
	3MK	burgundy					TV1	mahogany			
	1MX	mahogany					LG5	champagne	-88		
	05T	black					TS1	marine blue			
	1KV	marine blue					KZ2	black			
	4WX	linen					TW1	linen			
	4JX	greyish green	-88				UD3	plum red	-88		
	7RT	cashmere beige	89				UD4	silver-grey	-88		
10	911 555 072 05	side trim panel leatherette	/R	1	COUPE		UD5	caramel			
	3MK	burgundy					UD6	venetian blue			
	1MX	mahogany					QC2	greyish green	-88		
	05T	black					8HF	blue metallic	88		JUBI
	1KV	marine blue					XN4	cashmere beige	89		
							XN5	silk grey	89		

Model	Year	MG	SG	Illustration	Restrictions	Update	8:55	17.08.2004	PORSCHE	PET	PORSCHE
911	89	8	07	807-05		179					

Pos	Part Number	Name	Remarks	Qty	Model	Pos	Part Number	Name	Remarks	Qty	Model
	XN6	velvet red	89				UD3	plum red	-88		
	XN7	slate grey	89				UD4	silver-grey	-88		
10	911 555 072 74	side trim panel leather	/R	1	COUPE		UD5	caramel			
	LG7	burgundy					UD6	venetian blue			
	TV1	mahogany					QC2	greyish green	-88		
	LG5	champagne	-88				8HF	blue metallic	88		JUBI
	TS1	marine blue					XN4	cashmere beige	89		
	KZ2	black					XN5	silk grey	89		
	TW1	linen					XN6	velvet red	89		
	UD3	plum red	-88			(10)	911 555 072 78	side trim panel leather	/R	1	TARGA
	UD4	silver-grey	-88				UD5	caramel			
	UD5	caramel					LG7	burgundy			
	UD6	venetian blue					TV1	mahogany			
	QC2	greyish green	-88				LG5	champagne	-88		
	8HF	blue metallic	88		JUBI		TS1	marine blue			
	XN4	cashmere beige	89				KZ2	black			
	XN5	silk grey	89				TW1	linen			
	XN6	velvet red	89				UD3	plum red	-88		
	XN7	slate grey	89				UD4	silver-grey	-88		
(10)	911 555 071 78	side trim panel leather	/L	1	TARGA		UD5	caramel			
	LG7	burgundy					UD6	venetian blue			
	TV1	mahogany					QC2	greyish green	-88		
	LG5	champagne	-88				8HF	blue metallic	88		JUBI
	TS1	marine blue					XN4	cashmere beige	89		
	KZ2	black					XN5	silk grey	89		
	TW1	linen					XN6	velvet red	89		
							XN7	slate grey	89		

Model	Year	MG	SG	Illustration	Restrictions	Update	8:55	17.08.2004	PORSCHE	PET	PORSCHE
911	89	8	07	807-05		179					

Pos	Part Number	Name	Remarks	Qty	Model	Pos	Part Number	Name	Remarks	Qty	Model
(10)	911 555 071 09	side trim panel all-cloth pin stripe velour	/L	1	COUPE:M 526	(10)	911 555 072 50	side trim panel all-cloth pin stripe velour	/R	1	TARGA:M 526
	7BN	black-white					7BN	black-white			
	6LN	mahogany-white					6LN	mahogany-white			
	8GJ	blue-white					8GJ	blue-white			
	1MJ	burgundy-white					1MJ	burgundy-white			
	3JV	greyish green-white	-88				3JV	greyish green-white	-88		
	4WJ	linen white	89				4WJ	linen white	89		
	4TN	cashmere beige-white	89				4TN	cashmere beige-white	89		
(10)	911 555 071 50	side trim panel all-cloth pin stripe velour	/L	1	TARGA:M 526	(10)	911 555 071 09	side trim panel pin stripe flannel	/L	1	COUPE:M 526
	7BN	black-white					8BF	anthracite	-88		
	6LN	mahogany-white					9LF	mahogany	-88		
	8GJ	blue-white					6GF	blue	-88		
	1MJ	burgundy-white					1MF	burgundy	-88		
	3JV	greyish green-white	-88				9JF	greyish green	-88		
	4WJ	linen white	89			(10)	911 555 071 50	side trim panel pin stripe flannel	/L	1	TARGA:M 526
	4TN	cashmere beige-white	89				8BF	anthracite	-88		
10	911 555 072 09	side trim panel all-cloth pin stripe velour	/R	1	COUPE:M 526		9LF	mahogany	-88		
	7BN	black-white					6GF	blue	-88		
	6LN	mahogany-white					1MF	burgundy	-88		
	8GJ	blue-white					9JF	greyish green	-88		
	1MJ	burgundy-white				10	911 555 072 09	side trim panel pin stripe flannel	/R	1	COUPE:M 526
	3JV	greyish green-white	-88				8BF	anthracite	-88		
	4WJ	linen white	89				9LF	mahogany	-88		
	4TN	cashmere beige-white	89				6GF	blue	-88		
							1MF	burgundy	-88		

Model	Year	MG	SG	Illustration	Restrictions	Update	8:55	17.08.2004	PORSCHE	PET	PORSCHE
911	89	8	07	807-05		179					

Pos	Part Number	Name	Remarks	Qty	Model	Pos	Part Number	Name	Remarks	Qty	Model
	9JF	greyish green	-88				1MV	burgundy	89		
(10)	911 555 072 50	side trim panel pin stripe flannel	/R -88	1	TARGA:M 526		6UV	linen	89		
	8BF	anthracite	-88				5TC	cashmere beige	89		
	9LF	mahogany	-88			(10)	911 555 072 50	side trim panel multicolour	/R 89	1	TARGA:M 526
	6GF	blue	-88				2VV	black	89		
	1MF	burgundy	-88				8XV	mahogany	89		
	9JF	greyish green	-88				9JV	marine blue	89		
(10)	911 555 071 09	side trim panel multicolour	/L 89	1	COUPE:M 526		1MV	burgundy	89		
	2VV	black	89				6UV	linen	89		
	8XV	mahogany	89				5TC	cashmere beige	89		
	9JV	marine blue	89			(10)	911 555 071 09	side trim panel porsche lettering cloth	/L 89	1	COUPE:M 526
	1MV	burgundy	89				2CZ	black	89		
	6UV	linen	89				4MR	mahogany	89		
	5TC	cashmere beige	89				6HZ	blue	89		
(10)	911 555 071 50	side trim panel multicolour	/L 89	1	TARGA:M 526		5LZ	burgundy	89		
	2VV	black	89				1JK	greyish green	-88		
	8XV	mahogany	89				5WZ	linen	89		
	9JV	marine blue	89				7TH	cashmere beige	89		
	1MV	burgundy	89			(10)	911 555 071 50	side trim panel porsche lettering cloth	/L 89	1	TARGA:M 526
	6UV	linen	89				2CZ	black	89		
	5TC	cashmere beige	89				4MR	mahogany	89		
10	911 555 072 09	side trim panel multicolour	/R 89	1	COUPE:M 526		6HZ	blue	89		
	2VV	black	89				5LZ	burgundy	89		
	8XV	mahogany	89				1JK	greyish green	-88		
	9JV	marine blue	89				5WZ	linen	89		
							7TH	cashmere beige	89		

Model	Year	MG	SG	Illustration	Restrictions	Update	8:55	17.08.2004	PORSCHE	PET	PORSCHE
911	89	8	07	807-05		179					

Pos	Part Number	Name	Remarks	Qty	Model	Pos	Part Number	Name	Remarks	Qty	Model
10	911 555 072 09	side trim panel porsche lettering cloth	/R	1	COUPE:M 526	(17)	911 555 757 00	cover lock pillar leatherette	/L	1	COUPE
	2CZ	black					3MK	burgundy			
	4MR	mahogany					1MX	mahogany			
	6HZ	blue					05T	black			
	5LZ	burgundy					1KX	marine blue			
	1JK	greyish green	-88				4WX	linen			
	5WZ	linen	89				4JX	greyish green	-88		
	7TH	cashmere beige	89				7RT	cashmere beige	89		
(10)	911 555 072 50	side trim panel porsche lettering cloth	/R	1	TARGA:M 526	17	911 555 758 00	cover lock pillar leatherette	/R	1	COUPE
	2CZ	black					3MK	burgundy			
	4MR	mahogany					1MX	mahogany			
	6HZ	blue					05T	black			
	5LZ	burgundy					1KX	marine blue			
	1JK	greyish green	-88				4WX	linen			
	5WZ	linen	89				4JX	greyish green	-88		
	7TH	cashmere beige	89				7RT	cashmere beige	89		
11	477 857 375 A	tray		2	M 186	(17)	911 555 757 40	cover lock pillar leatherette	/L	1	TARGA
	01C	black					3MK	burgundy			
12	N 011 665 3	washer B 5,3		4	M 186		1MX	mahogany			
13	900 146 003 02	oval-head screw M 5 X 10		4	M 186		05T	black			
14	N 014 093 3	tapping screw BZ 4,2 X 13		4	COUPE		1KX	marine blue			
15	911 555 615 01	rose		2	COUPE		4WX	linen			
16	999 507 020 02	speed nut 4,2		4	COUPE		4JX	greyish green	-88		
							7RT	cashmere beige	89		

Model	Year	MG	SG	Illustration	Restrictions	Update	8:55	17.08.2004	PORSCHE	PET	PORSCHE
911	89	8	07	807-05		179					

Pos	Part Number	Name	Remarks	Qty	Model	Pos	Part Number	Name	Remarks	Qty	Model
(17)	911 555 758 40	cover lock pillar leatherette	/R	1	TARGA	17	911 555 758 70	cover lock pillar leather	/R	1	COUPE
	3MK	burgundy					2LX	mahogany			
	1MX	mahogany					7LD	burgundy			
	05T	black					7JX	marine blue			
	1KX	marine blue					7VX	linen			
	4WX	linen					1VD	champagne	-88		
	4JX	greyish green	-88				1AJ	black			
	7RT	cashmere beige	89				1MC	plum red	-88		
(17)	911 555 757 70	cover lock pillar leather	/L	1	COUPE		3VC	silver-grey	-88		
	2LX	mahogany					5JX	greyish green	-88		
	7LD	burgundy					4UC	caramel			
	7JX	marine blue					7KC	venetian blue			
	7VX	linen					8HF	blue metallic	88		JUBI
	1VD	champagne	-88				2WH	cashmere beige	89		
	1AJ	black					5VT	silk grey	89		
	1MC	plum red	-88				4MT	velvet red	89		
	3VC	silver-grey	-88				2WT	slate grey	89		
	5JX	greyish green	-88			(17)	911 555 757 75	cover lock pillar leather	/L	1	TARGA
	4UC	caramel					2LX	mahogany			
	7KC	venetian blue					7LD	burgundy			
	8HF	blue metallic	88		JUBI		7JX	marine blue			
	2WH	cashmere beige	89				7VX	linen			
	5VT	silk grey	89				1VD	champagne	-88		
	4MT	velvet red	89				1AJ	black			
	2WT	slate grey	89				1MC	plum red	-88		

Model	Year	MG	SG	Illustration	Restrictions	Update	8:55	17.08.2004	PORSCHE	PET	PORSCHE
911	89	8	07	807-05		179					

Pos	Part Number	Name	Remarks	Qty	Model	Pos	Part Number	Name	Remarks	Qty	Model
	3VC	silver-grey	-88			(18)	901 555 023 01	filler piece	/L	1	TARGA
	5JX	greyish green	-88			18	901 555 024 01	filler piece	/R	1	TARGA
	4UC	caramel				(19)	911 555 091 00	rear covering leatherette	/L	1	COUPE
	7KC	venetian blue					3MK	burgundy			
	8HF	blue metallic	88		JUBI		05T	black			
	2WH	cashmere beige	89				1MX	mahogany			
	5VT	silk grey	89				1KX	marine blue			
	4MT	velvet red	89				4JX	greyish green	-88		
	2WT	slate grey	89			19	911 555 092 00	rear covering leatherette	/R	1	COUPE
(17)	911 555 758 75	cover lock pillar leather	/R	1	TARGA		3MK	burgundy			
	2LX	mahogany					05T	black			
	7LD	burgundy					1MX	mahogany			
	7JX	marine blue					1KX	marine blue			
	7VX	linen					4JX	greyish green	-88		
	1VD	champagne	-88			(19)	911 555 091 40	rear covering leatherette	/L	1	TARGA
	1AJ	black					3MK	burgundy			
	1MC	plum red	-88				05T	black			
	3VC	silver-grey	-88				1MX	mahogany			
	5JX	greyish green	-88				1KX	marine blue			
	4UC	caramel					4JX	greyish green	-88		
	7KC	venetian blue				(19)	911 555 092 40	rear covering leatherette	/R	1	TARGA
	8HF	blue metallic	88		JUBI		3MK	burgundy			
	2WH	cashmere beige	89				05T	black			
	5VT	silk grey	89				1MX	mahogany			
	4MT	velvet red	89				1KX	marine blue			
	2WT	slate grey	89								

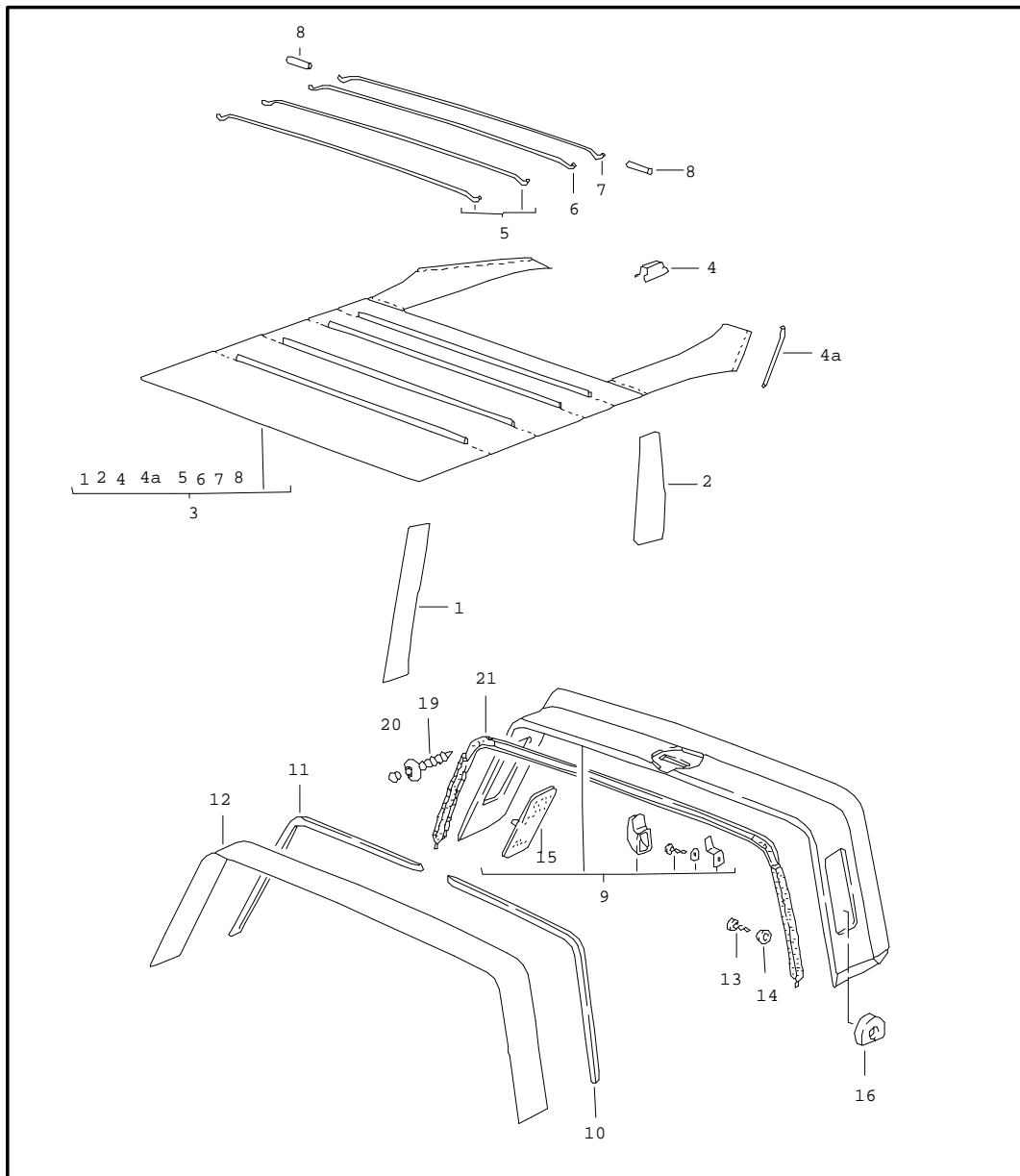
Model	Year	MG	SG	Illustration	Restrictions	Update	8:55	17.08.2004	PORSCHE	PET	PORSCHE
911	89	8	07	807-05		179					

Pos	Part Number	Name	Remarks	Qty	Model	Pos	Part Number	Name	Remarks	Qty	Model
	4JX	greyish green	-88				QC2	greyish green	-88		
(19)	911 555 091 70	rear covering leather	/L	1	COUPE		UD5	caramel			
	LG7	burgundy					UD6	venetian blue			
	TV1	mahogany					XN6	velvet red	89		
	KZ2	black					XN7	slate grey	89		
	TS1	marine blue				(19)	911 555 092 75	rear covering leather	/R	1	TARGA
	QC2	greyish green	-88				LG7	burgundy			
	UD5	caramel					TV1	mahogany			
	UD6	venetian blue					KZ2	black			
	XN6	velvet red	89				TS1	marine blue			
	XN7	slate grey	89				QC2	greyish green	-88		
19	911 555 092 70	rear covering leather	/R	1	COUPE		UD5	caramel			
	LG7	burgundy					UD6	venetian blue			
	TV1	mahogany					XN6	velvet red	89		
	KZ2	black					XN7	slate grey	89		
	TS1	marine blue				20	999 591 338 02	speed nut B 3,5		4	
	QC2	greyish green	-88			21	900 145 071 07	tapping screw B 3,5 X 13		6	COUPE
	UD5	caramel				21	900 145 071 07	tapping screw B 3,5 X 13		4	TARGA
	UD6	venetian blue				22	999 591 102 17	washer 3,5		6	COUPE
	XN6	velvet red	89			22	999 591 102 17	washer 3,5		4	TARGA
	XN7	slate grey	89			23	901 552 871 40	cover		2	
(19)	911 555 091 75	rear covering leather	/L	1	TARGA	24	900 025 003 02	washer A 5,3		2	
	LG7	burgundy				24A	N 011 005 14	hexagon nut M 5		2	
	TV1	mahogany									
	KZ2	black									
	TS1	marine blue									

Model	Year	MG	SG	Illustration	Restrictions	Update	8:55	17.08.2004	PORSCHE	PET	PORSCHE
911	89	8	07	807-05		179					

Pos	Part Number	Name	Remarks	Qty	Model	Pos	Part Number	Name	Remarks	Qty	Model
25	901 552 872 20	coat hook		2							
		- - - E N D - - -									

Model	Year	MG	SG	Illustration	Restrictions	Update	8:55	17.08.2004	PORSCHE	PET	PORSCHE
911	89	8	07	807-06		179					

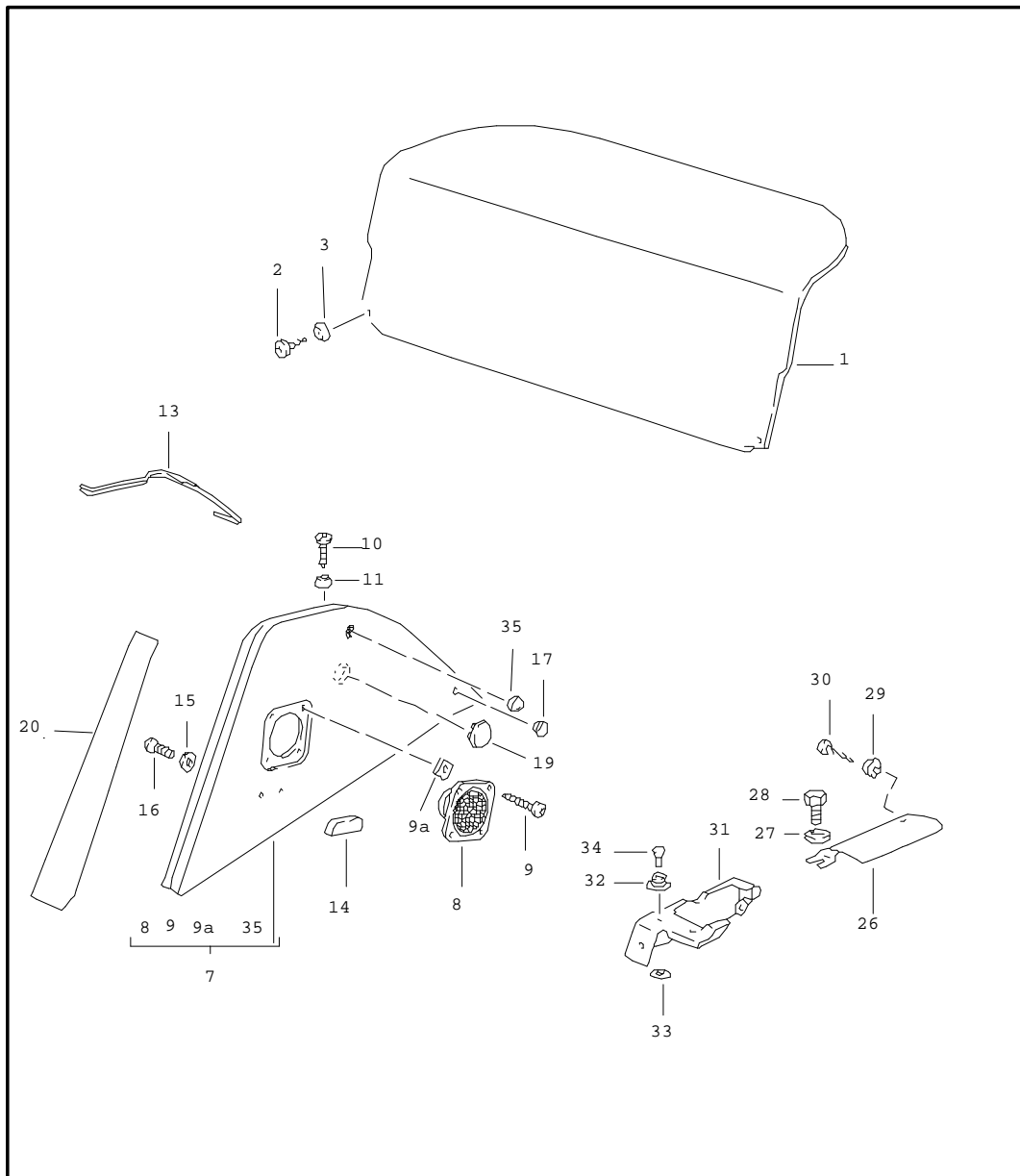


Pos	Part Number	Name	Remarks	Qty	Model
1	911 555 507 00	interior equipment roof roll bar			COUPE TARGA
		lining windscreen frame part	/L	1	COUPE
		702 black			
		1MX mahogany			
		3MX burgundy			
		1KX marine blue			
(1)	911 555 508 00	4JX greyish green	-88		
		lining windscreen frame part	/R	1	COUPE
		702 black			
		1MX mahogany			
		3MX burgundy			
		1KX marine blue			
2	911 555 505 01	4JX greyish green	-88		
		lining door pillar	/L	1	COUPE
		702 black			
		1MX mahogany			
		3MX burgundy			
		1KX marine blue			
(2)	911 555 506 01	4JX greyish green	-88		
		lining door pillar	/R	1	COUPE
		702 black			
		1MX mahogany			
		3MX burgundy			
		1KX marine blue			

Model	Year	MG	SG	Illustration	Restrictions	Update	8:55	17.08.2004	PORSCHE	PET	PORSCHE
911	89	8	07	807-06		179					

Pos	Part Number	Name	Remarks	Qty	Model	Pos	Part Number	Name	Remarks	Qty	Model
	4JX	greyish green	-88			12	901 565 511 40	cover padding		1	TARGA
3	911 555 055 05	roof lining for cars without sunroof		1	COUPE	(12)	901 565 128 43	cover		1	TARGA
	700	black					702	black for interior lining			
	8LC	burgundy				13	900 145 038 07	oval-head sheetmetal screw B 3,5 X 16		4	TARGA
	1MX	mahogany				14	999 591 102 17	washer 3,5		4	TARGA
	1KX	marine blue				15	911 565 157 40	bleeding	/L	1	TARGA
(3)	911 555 055 15	roof lining	-88	1	COUPE:M 650	15	911 565 158 40	bleeding	/R	1	TARGA
	700	black				16	911 565 132 00	filler piece		2	TARGA
	8LC	burgundy				19	999 703 186 40	plastic plug		4	TARGA
	1MX	mahogany				20	999 591 384 40	cap		4	TARGA
	1KX	marine blue				21	911 565 091 47	seal		1	TARGA
	4JX	greyish green	-88				8VB	black roll bar			
4	999 591 336 01	clamp	/H	5	COUPE						
(4)	999 591 342 02	u-clamp	/V	5	COUPE			- - - E N D - - -			
4A	911 555 561 00	tension wire		2	COUPE						
5	901 555 511 20	transverse strut 1 + 2		2	COUPE						
6	901 555 512 20	transverse strut 3		1	COUPE						
7	901 555 513 20	transverse strut 4		1	COUPE						
8	644 555 515 00	rubber profile		8	COUPE						
9	911 565 019 41	interior lining		1	TARGA						
	702	black									
10	911 565 513 40	padding	/L	1	TARGA						
11	911 565 514 40	padding	/R	1	TARGA						

Model	Year	MG	SG	Illustration	Restrictions	Update	8:55	17.08.2004	PORSCHE	PET	PORSCHE
911	89	8	07	807-07		179					



Pos	Part Number	Name	Remarks	Qty	Model
		interior equipment rear	STER		CABRIO/SPEED
1	911 555 075 61	back wall lining for manual folding top carpet		1	CABRIO
	70E	black	-88		
	5FV	black	89		
	5MF	mahogany			
	3KF	marine blue	-88		
	4KV	marine blue	89		
	80E	burgundy	-88		
	8MD	burgundy	89		
	2XF	linen			
	8JK	greyish green	-88		
	4MM	plum red	-88		
	7VM	silver-grey	-88		
	7VT	silk grey	89		
	8UT	cashmere beige	89		
	9MT	velvet red	89		
	3WT	slate grey	89		
	1VD	champagne	-88		
	5UM	caramel			
	3KM	venetian blue			
	6HM	silver-blue	88		JUBI
	6HM	silver-blue	89		M 099
(1)	911 555 075 66	back wall lining carpet		1	CABRIO:M 439
	70E	black	-88		
	5FV	black	89		

Model	Year	MG	SG	Illustration	Restrictions	Update	8:55	17.08.2004	PORSCHE	PET	PORSCHE
911	89	8	07	807-07		179					

Pos	Part Number	Name	Remarks	Qty	Model	Pos	Part Number	Name	Remarks	Qty	Model
	5MF	mahogany					3KF	marine blue	-88		
	3KF	marine blue	-88				4KV	marine blue	89		
	4KV	marine blue	89				80E	burgundy	-88		
	80E	burgundy	-88				8MD	burgundy	89		
	8MD	burgundy	89				2XF	linen			
	2XF	linen					8JK	greyish green	-88		
	8JK	greyish green	-88				4MM	plum red	-88		
	4MM	plum red	-88				1VD	champagne	-88		
	7VM	silver-grey	-88				7VM	silver-grey	-88		
	7VT	silk grey	89				7VT	silk grey	89		
	8UT	cashmere beige	89				8UT	cashmere beige	89		
	9MT	velvet red	89				9MT	velvet red	89		
	3WT	slate grey	89				3WT	slate grey	89		
	1VD	champagne	-88				5UM	caramel			
	5UM	caramel					3KM	venetian blue			
	3KM	venetian blue					6HM	silver-blue	88		JUBI
	6HM	silver-blue	88		JUBI	(7)	911 555 071 91	side trim panel carpet	/L	1	CABRIO:M 439
	6HM	silver-blue	89		M 099		70E	black	-88		
(1)	911 555 075 66	back wall lining carpet	89	1	CABRIO:M 097		5FV	black	89		
	1XV	pearl grey					5MF	mahogany			
2	900 145 072 07	tapping screw B 3,5 X 22		2			3KF	marine blue	-88		
3	999 591 102 17	washer		2			4KV	marine blue	89		
(7)	911 555 071 93	side trim panel carpet	/L	1	CABRIO		80E	burgundy	-88		
	70E	black	-88				8MD	burgundy	89		
	5FV	black	89				2XF	linen			
	5MF	mahogany					8JK	greyish green	-88		
							4MM	plum red	-88		

Model	Year	MG	SG	Illustration	Restrictions	Update	8:55	17.08.2004	PORSCHE	PET	PORSCHE
911	89	8	07	807-07		179					

Pos	Part Number	Name	Remarks	Qty	Model	Pos	Part Number	Name	Remarks	Qty	Model
	1VD	champagne	-88				4KV	marine blue	89		
	7VM	silver-grey	-88				80E	burgundy	-88		
	7VT	silk grey	89				8MD	burgundy	89		
	8UT	cashmere beige	89				2XF	linen			
	9MT	velvet red	89				8JK	greyish green	-88		
	3WT	slate grey	89				4MM	plum red	-88		
	5UM	caramel					1VD	champagne	-88		
	3KM	venetian blue					7VM	silver-grey	-88		
	6HM	silver-blue	88		JUBI		7VT	silk grey	89		
(7)	911 555 071 67	side trim panel carpet	/L 89	1	SPEEDSTER		8UT	cashmere beige	89		
	5FV	black	89				9MT	velvet red	89		
	5MF	mahogany					3WT	slate grey	89		
	4KV	marine blue	89				5UM	caramel			
	8MD	burgundy	89				3KM	venetian blue			
	2XF	linen					6HM	silver-blue	88		JUBI
	7VT	silk grey	89			(7)	911 555 072 91	side trim panel carpet	/R	1	CABRIO:M 439
	8UT	cashmere beige	89				70E	black	-88		
	9MT	velvet red	89				5FV	black	89		
	3WT	slate grey	89				5MF	mahogany			
	5UM	caramel					3KF	marine blue	-88		
	3KM	venetian blue					4KV	marine blue	89		
7	911 555 072 93	side trim panel carpet	/R	1	CABRIO		80E	burgundy	-88		
	70E	black	-88				8MD	burgundy	89		
	5FV	black	89				2XF	linen			
	5MF	mahogany					8JK	greyish green	-88		
	3KF	marine blue	-88				4MM	plum red	-88		
							1VD	champagne	-88		

Model	Year	MG	SG	Illustration	Restrictions	Update	8:55	17.08.2004	PORSCHE	PET	PORSCHE
911	89	8	07	807-07		179					

Pos	Part Number	Name	Remarks	Qty	Model	Pos	Part Number	Name	Remarks	Qty	Model
	7VM	silver-grey	-88			8	928 645 423 00	loudspeaker grille		2	
	7VT	silk grey	89			9	900 143 132 07	tapping screw B 3,9 X 16		8	
	8UT	cashmere beige	89			9A	999 507 071 00	speed nut B 3,9		8	
	9MT	velvet red	89			10	N 014 093 3	tapping screw 4,2 X 13		4	
	3WT	slate grey	89			11	999 591 116 07	cone washer		4	
	5UM	caramel				(13)	911 555 417 00	rose	/L	1	CABRIO
	3KM	venetian blue					70B	black			
7	911 555 072 67	side trim panel carpet	/R 89	1	JUBI SPEEDSTER	(13)	911 555 417 66	rose	/L	1	CABRIO:M 439
	5FV	black	89				70B	black			
	5MF	mahogany				13	911 555 418 00	rose	/R	1	CABRIO
	4KV	marine blue	89				70B	black			
	8MD	burgundy	89			(13)	911 555 418 66	rose	/R	1	CABRIO:M 439
	2XF	linen					70B	black			
	7VT	silk grey	89			14	477 857 375 A	support for seatbelt		2	
	8UT	cashmere beige	89				01C	black			
	9MT	velvet red	89			15	900 151 027 02	washer B 5,3		4	
	3WT	slate grey	89			16	900 146 003 02	oval-head screw M 5 X 10		4	
	5UM	caramel				17	N 900 685 01	push button		2	
(7)	911 555 071 91	side trim panel carpet	/L	1	CABRIO	19	911 555 523 66	cap		2	CABRIO:M 439
	6HM	silver-blue	89		M 099		70B	black for emergency control			
	1XV	pearl grey	89		M 097	(20)	911 555 757 40	cover lock pillar leatherette	/L	1	
(7)	911 555 072 91	side trim panel carpet	/R	1	CABRIO		05T	black			
	6HM	silver-blue	89		M 099		1MX	mahogany			
	1XV	pearl grey	89		M 097						

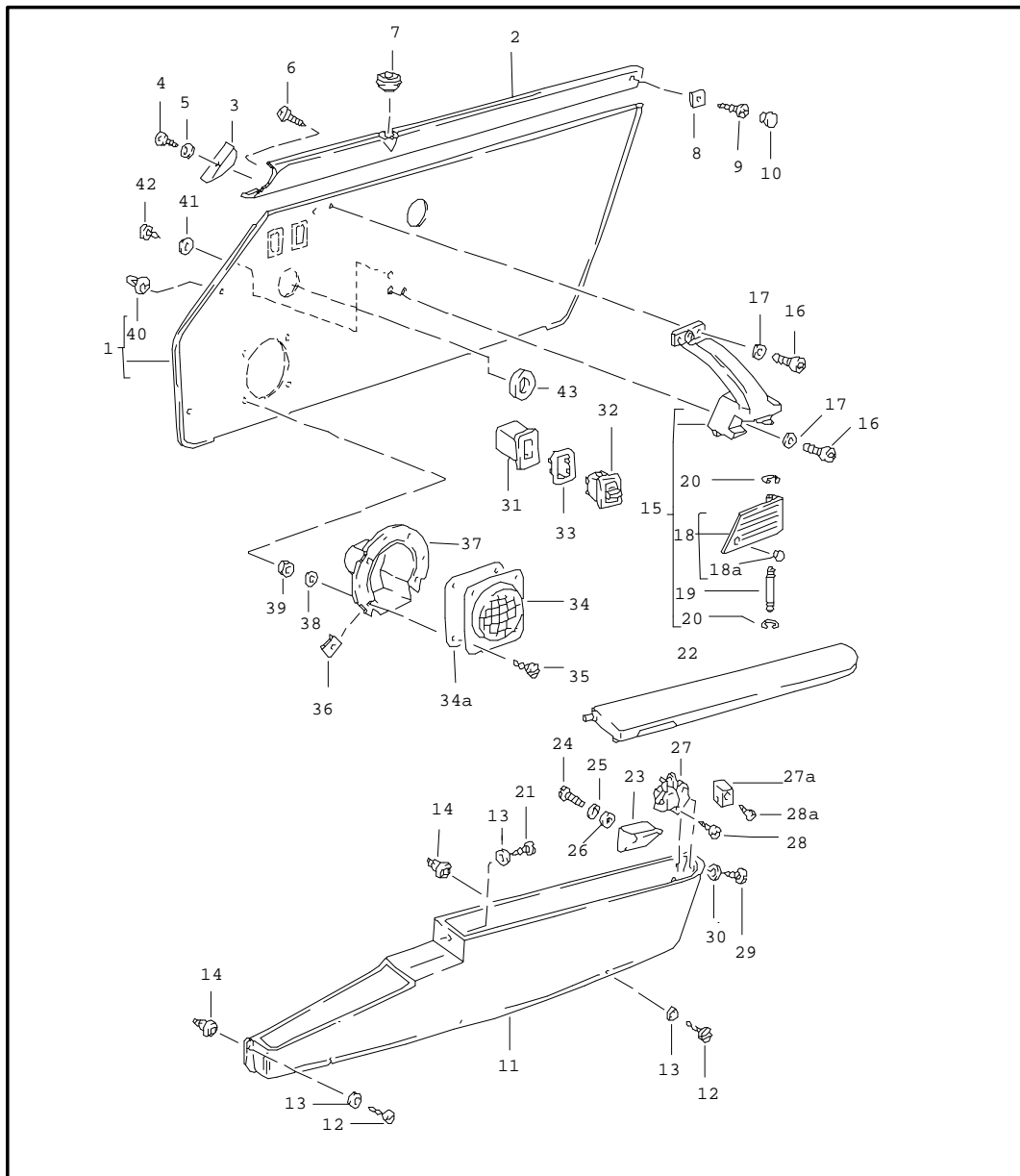
Model	Year	MG	SG	Illustration	Restrictions	Update	8:55	17.08.2004	PORSCHE	PET	PORSCHE
911	89	8	07	807-07		179					

Pos	Part Number	Name	Remarks	Qty	Model	Pos	Part Number	Name	Remarks	Qty	Model
	1KX	marine blue					8HF	blue metallic	88		JUBI
	3MK	burgundy					2XR	pearl grey	89		M 097
	4WX	linen					2WH	cashmere beige	89		
	4JX	greyish green	-88				5VT	silk grey	89		
	7RT	cashmere beige	89				4MT	velvet red	89		
20	911 555 758 40	cover lock pillar leatherette	/R	1		20	911 555 758 75	cover lock pillar leather	/R	1	
	05T	black					1AJ	black			
	1MX	mahogany					2LX	mahogany			
	1KX	marine blue					7JX	marine blue			
	3MK	burgundy					7VX	linen			
	4WX	linen					7LD	burgundy			
	4JX	greyish green	-88				1MC	plum red	-88		
	7RT	cashmere beige	89				3VC	silver-grey	-88		
(20)	911 555 757 75	cover lock pillar leather	/L	1			1VD	champagne	-88		
	1AJ	black					5JX	greyish green	-88		
	2LX	mahogany					4UC	caramel			
	7JX	marine blue					7KC	venetian blue			
	7VX	linen					8HF	blue metallic	88		JUBI
	7LD	burgundy					2XR	pearl grey	89		M 097
	1MC	plum red	-88				2WH	cashmere beige	89		
	3VC	silver-grey	-88				5VT	silk grey	89		
	1VD	champagne	-88				4MT	velvet red	89		
	5JX	greyish green	-88				2WT	slate grey	89		
	4UC	caramel				26	911 555 077 60	rear covering leatherette	/L	1	
	7KC	venetian blue					700	black			

Model	Year	MG	SG	Illustration	Restrictions	Update	8:55	17.08.2004	PORSCHE	PET	PORSCHE
911	89	8	07	807-07		179					

Pos	Part Number	Name	Remarks	Qty	Model	Pos	Part Number	Name	Remarks	Qty	Model
(26)	911 555 078 60	rear covering leatherette	/R	1							
	700	black									
27	900 025 007 02	washer 8,4		6							
(28)	900 067 057 02	pan-head screw M 8 X 20		6							
29	999 591 116 07	cone washer		2							
30	N 014 093 3	tapping screw 4,2 X 13		2							
(31)	911 555 763 62	cover	/L	1	CABRIO						
	70B	black									
(31)	911 555 763 64	cover	/L 89	1	SPEEDSTER						
	70B	black									
(31)	911 555 764 62	cover	/R	1	CABRIO						
	70B	black									
(31)	911 555 764 64	cover	/R 89	1	SPEEDSTER						
	70B	black									
32	999 591 835 17	snap fastener lower part		2							
33	900 025 001 02	washer A 3,2		2							
34	999 190 162 37	blind rivet		2							
35	911 561 434 00	cap		2							
	70B	black									
		- - - E N D - - -									

Model	Year	MG	SG	Illustration	Restrictions	Update	8:56	17.08.2004	PORSCHE	PET	PORSCHE
911	89	8	07	807-10		179					



Pos	Part Number	Name	Remarks	Qty	Model
(1)	911 555 931 40	interior equipment doors door trim panel leatherette	/L 87	1	CARRERA
	3MK	burgundy			
	4WX	linen			
	05T	black			
	1MX	mahogany			
	1KX	marine blue			
	4JX	greyish green	-88		
(1)	911 555 031 45	door trim panel leatherette	/L 88-	1	CARRERA
	3MK	burgundy			
	4WX	linen			
	05T	black			
	1MX	mahogany			
	1KX	marine blue			
	4JX	greyish green	-88		
	7RT	cashmere beige	89		
(1)	911 555 031 57	door trim panel leatherette	/L 88-	1	COUPE:M 637
	3MK	burgundy			
	4WX	linen			
	05T	black			
	1MX	mahogany			
	1KX	marine blue			
	4JX	greyish green	-88		
	7RT	cashmere beige	89		
(1)	911 555 031 88	door trim panel leatherette	/L 89	1	SPEEDSTER

Model	Year	MG	SG	Illustration	Restrictions	Update	8:56	17.08.2004	PORSCHE	PET	PORSCHE
911	89	8	07	807-10		179					

Pos	Part Number	Name	Remarks	Qty	Model	Pos	Part Number	Name	Remarks	Qty	Model
	3MK	burgundy					1KX	marine blue			
	4WX	linen					4JX	greyish green	-88		
	05T	black					7RT	cashmere beige	89		
	1MX	mahogany				1	911 555 032 88	door trim panel leatherette	/R 89	1	SPEEDSTER
	1KX	marine blue					3MK	burgundy			
	7RT	cashmere beige	89				4WX	linen			
1	911 555 932 40	door trim panel leatherette	/R 87	1	CARRERA		05T	black			
	3MK	burgundy					1MX	mahogany			
	4WX	linen					1KX	marine blue			
	05T	black					7RT	cashmere beige	89		
	1MX	mahogany				(1)	911 555 031 56	door trim panel leather	/L	1	CARRERA
	1KX	marine blue					2XR	pearl grey	89		M 097
(1)	911 555 032 44	door trim panel leatherette	/R 88-	1	CARRERA	(1)	911 555 032 55	door trim panel leather	/R	1	CARRERA
	4JX	greyish green	-88				2XR	pearl grey	89		M 097
	3MK	burgundy				(1)	911 555 931 50	door trim panel leather	/L 87	1	TURBO/ CARRERA: M 981
	4WX	linen					LG7	burgundy			
	05T	black					TW1	linen			
	1MX	mahogany					UD3	plum red	-88		
	1KX	marine blue					KZ2	black			
	4JX	greyish green	-88				TV1	mahogany			
	7RT	cashmere beige	89				TS1	marine blue			
1	911 555 032 57	door trim panel leatherette	/R 88-	1	COUPE:M 637		UD4	silver-grey	-88		
	3MK	burgundy					UD5	caramel			
	4WX	linen					LG5	champagne	-88		
	05T	black									
	1MX	mahogany									

Model	Year	MG	SG	Illustration	Restrictions	Update	8:56	17.08.2004	PORSCHE	PET	PORSCHE
911	89	8	07	807-10		179					

Pos	Part Number	Name	Remarks	Qty	Model	Pos	Part Number	Name	Remarks	Qty	Model
		QC2 greyish green	-88					UD5 caramel			
		UD6 venetian blue						UD6 venetian blue			
(1)	911 555 031 56	door trim panel	/L 88-	1	TURBO/ CARRERA: M 981			XN4 cashmere beige	89		
		leather						XN5 silk grey	89		
		LG7 burgundy						XN6 velvet red	89		
		TW1 linen						XN7 slate grey	89		
		UD3 plum red	-88			1	911 555 932 50	door trim panel	/R 87	1	TURBO/ CARRERA: M 981
		KZ2 black						leather			
		TV1 mahogany						LG7 burgundy			
		TS1 marine blue						TW1 linen			
		UD4 silver-grey	-88					UD3 plum red	-88		
		UD5 caramel						KZ2 black			
		LG5 champagne	-88					TV1 mahogany			
		QC2 greyish green	-88					TS1 marine blue			
		UD6 venetian blue						UD4 silver-grey	-88		
		8HF blue metallic	88		JUBI 88			UD5 caramel			
		XN4 cashmere beige	89					LG5 champagne	-88		
		XN5 silk grey	89					QC2 greyish green	-88		
		XN6 velvet red	89					UD6 venetian blue			
		XN7 slate grey	89			1	911 555 032 90	door trim panel	/R 89	1	SPEEDSTER: M 981
(1)	911 555 031 90	door trim panel	/L 89	1	SPEEDSTER: M 981			leather			
		leather						LG7 burgundy			
		LG7 burgundy						TW1 linen			
		TW1 linen						KZ2 black			
		KZ2 black						TV1 mahogany			
		TV1 mahogany						TS1 marine blue			
		TS1 marine blue						UD5 caramel			

Model	Year	MG	SG	Illustration	Restrictions	Update	8:56	17.08.2004	PORSCHE	PET	PORSCHE
911	89	8	07	807-10		179					

Pos	Part Number	Name	Remarks	Qty	Model	Pos	Part Number	Name	Remarks	Qty	Model
	UD6	venetian blue					8GJ	blue-white			
	XN4	cashmere beige	89				1MJ	burgundy-white			
	XN5	silk grey	89				3JV	greyish green-white	-88		
	XN6	velvet red	89			(1)	911 555 031 47	door trim panel all-cloth pin stripe velour	/L 88-	1	M 526
(1)	911 555 032 55	door trim panel	/R 88-	1	TURBO/ CARRERA: M 981		7BN	black-white			
		leather					6LN	mahogany-white			
	LG7	burgundy					8GJ	blue-white			
	TW1	linen					1MJ	burgundy-white			
	UD3	plum red	-88				3JV	greyish green-white	-88		
	KZ2	black					4WJ	linen white	89		
	TV1	mahogany					4TN	cashmere beige-white	89		
	TS1	marine blue				(1)	911 555 031 89	door trim panel	/L 89	1	SPEDSTER: M 526
	UD4	silver-grey	-88					all-cloth pin stripe velour			
	UD5	caramel					7BN	black-white			
	LG5	champagne	-88				6LN	mahogany-white			
	QC2	greyish green	-88				8GJ	blue-white			
	UD6	venetian blue					1MJ	burgundy-white			
	8HF	blue metallic	88		JUBI 88		4WJ	linen white	89		
	XN4	cashmere beige	89				4TN	cashmere beige-white	89		
	XN5	silk grey	89			(1)	911 555 932 42	door trim panel	/R 87	1	M 526
	XN6	velvet red	89					all-cloth pin stripe velour			
	XN7	slate grey	89				7BN	black-white			
(1)	911 555 931 42	door trim panel	/L 87	1	M 526		6LN	mahogany-white			
		all-cloth pin stripe velour					8GJ	blue-white			
	7BN	black-white					1MJ	burgundy-white			
	6LN	mahogany-white					3JV	greyish green-white	-88		

Model	Year	MG	SG	Illustration	Restrictions	Update	8:56	17.08.2004	PORSCHE	PET	PORSCHE
911	89	8	07	807-10		179					

Pos	Part Number	Name	Remarks	Qty	Model	Pos	Part Number	Name	Remarks	Qty	Model
(1)	911 555 032 46	door trim panel all-cloth pin stripe velour	/R 88-	1	M 526		6GF	blue	-88		
							1MF	burgundy	-88		
	7BN	black-white					9JF	greyish green	-88		
	6LN	mahogany-white				(1)	911 555 031 89	door trim panel	/L 89	1	SPEEDSTER: M 526
	8GJ	blue-white						pin stripe flannel	-88		
	1MJ	burgundy-white				(1)	911 555 932 42	door trim panel	/R 87	1	M 526
	3JV	greyish green-white	-88					pin stripe flannel	-88		
	4WJ	linen white	89				8BF	anthracite	-88		
	4TN	cashmere beige-white	89				9LF	mahogany	-88		
(1)	911 555 032 89	door trim panel	/R 89	1	SPEEDSTER: M 526		6GF	blue	-88		
		all-cloth pin stripe velour					1MF	burgundy	-88		
	7BN	black-white					9JF	greyish green	-88		
	6LN	mahogany-white				(1)	911 555 032 46	door trim panel	/R 88-	1	M 526
	8GJ	blue-white						pin stripe flannel	-88		
	1MJ	burgundy-white					8BF	anthracite	-88		
	4WJ	linen white	89				9LF	mahogany	-88		
	4TN	cashmere beige-white	89				6GF	blue	-88		
(1)	911 555 931 42	door trim panel pin stripe flannel	/L 87 -88	1	M 526		1MF	burgundy	-88		
							9JF	greyish green	-88		
	8BF	anthracite	-88			(1)	911 555 032 89	door trim panel	/R 89	1	SPEEDSTER: M 526
	9LF	mahogany	-88					pin stripe flannel	-88		
	6GF	blue	-88			(1)	911 555 931 42	door trim panel	/L 87 89	1	M 526
	1MF	burgundy	-88					multicolour			
	9JF	greyish green	-88			(1)	911 555 031 47	door trim panel	/L 88- 89	1	M 526
								multicolour			
(1)	911 555 031 47	door trim panel pin stripe flannel	/L 88- -88	1	M 526		2VV	black	89		
							8XV	mahogany	89		
	8BF	anthracite	-88				9JV	marine blue	89		
	9LF	mahogany	-88				1MV	burgundy	89		

Model	Year	MG	SG	Illustration	Restrictions	Update	8:56	17.08.2004	PORSCHE	PET	PORSCHE
911	89	8	07	807-10		179					

Pos	Part Number	Name	Remarks	Qty	Model	Pos	Part Number	Name	Remarks	Qty	Model
	6UV	linen	89			(1)	911 555 931 42	door trim panel	/L 87	1	M 526
	5TC	cashmere beige	89				2CZ	black			
(1)	911 555 031 89	door trim panel	/L 89	1	SPEEDSTER: M 526		4MR	mahogany			
		multicolour	89				6HZ	blue			
	2VV	black	89				5LZ	burgundy			
	8XV	mahogany	89				1JK	greyish green	-88		
	9JV	marine blue	89			(1)	911 555 031 47	door trim panel	/L 88-	1	M 526
	1MV	burgundy	89					porsche lettering cloth			
	6UV	linen	89				2CZ	black			
	5TC	cashmere beige	89				4MR	mahogany			
(1)	911 555 932 42	door trim panel	/R 87	1	M 526		6HZ	blue			
		multicolour	89				5LZ	burgundy			
(1)	911 555 032 46	door trim panel	/R 88-	1	M 526		1JK	greyish green	-88		
		multicolour	89				5WZ	linen	89		
	2VV	black	89				7TH	cashmere beige	89		
	8XV	mahogany	89								
	9JV	marine blue	89			(1)	911 555 031 89	door trim panel	/L 89	1	SPEEDSTER: M 526
	1MV	burgundy	89					porsche lettering cloth			
	6UV	linen	89				2CZ	black			
	5TC	cashmere beige	89				4MR	mahogany			
(1)	911 555 032 89	door trim panel	/R 89	1	SPEEDSTER: M 526		6HZ	blue			
		multicolour	89				5LZ	burgundy			
	2VV	black	89				5WZ	linen	89		
	8XV	mahogany	89				7TH	cashmere beige	89		
	9JV	marine blue	89			(1)	911 555 932 42	door trim panel	/R 87	1	M 526
	1MV	burgundy	89					porsche lettering cloth			
	6UV	linen	89				2CZ	black			
	5TC	cashmere beige	89				4MR	mahogany			
							6HZ	blue			

Model	Year	MG	SG	Illustration	Restrictions	Update	8:56	17.08.2004	PORSCHE	PET	PORSCHE
911	89	8	07	807-10		179					

Pos	Part Number	Name	Remarks	Qty	Model	Pos	Part Number	Name	Remarks	Qty	Model
	5LZ	burgundy					1MX	mahogany			
	1JK	greyish green	-88				1KX	marine blue			
(1)	911 555 032 46	door trim panel porsche lettering cloth	/R 88-	1	M 526		3MX	burgundy			
	2CZ	black				2	911 555 084 07	cover strip leatherette	/R	1	
	4MR	mahogany					7AE	black			
	6HZ	blue					1MX	mahogany			
	5LZ	burgundy					1KX	marine blue			
	1JK	greyish green	-88				3MX	burgundy			
	5WZ	linen	89				4JX	greyish green	-88		
	7TH	cashmere beige	89			2	911 555 084 59	cover strip leatherette	/R 89	1	SPEEDSTER
(1)	911 555 032 89	door trim panel porsche lettering cloth	/R 89	1	SPEEDSTER: M 526		7AE	black			
	2CZ	black					1MX	mahogany			
	4MR	mahogany					1KX	marine blue			
	6HZ	blue					3MX	burgundy			
	5LZ	burgundy				(2)	911 555 083 62	cover strip leather	/L	1	
	5WZ	linen	89				KZ2	black			
	7TH	cashmere beige	89				TV1	mahogany			
(2)	911 555 083 08	cover strip leatherette	/L	1			TS1	marine blue			
	7AE	black					LG7	burgundy			
	1MX	mahogany					QC2	greyish green	-88		
	1KX	marine blue					UD5	caramel			
	3MX	burgundy					UD6	venetian blue			
	4JX	greyish green	-88				XN6	velvet red	89		
(2)	911 555 083 60	cover strip leatherette	/L 89	1	SPEEDSTER		XN7	slate grey	89		
	7AE	black				(2)	911 555 083 90	cover strip leather	/L 89	1	SPEEDSTER

Model	Year	MG	SG	Illustration	Restrictions	Update	8:56	17.08.2004	PORSCHE	PET	PORSCHE
911	89	8	07	807-10		179					

Pos	Part Number	Name	Remarks	Qty	Model	Pos	Part Number	Name	Remarks	Qty	Model
	KZ2	black					XN7	slate grey	89		
	TV1	mahogany				(3)	911 555 421 00	cap	/L	1	
	TS1	marine blue					01C	black			
	LG7	burgundy					4MJ	mahogany			
	UD5	caramel					9JJ	marine blue			
	UD6	venetian blue					9MM	burgundy			
	XN6	velvet red	89				1DJ	greyish green	-88		
	XN7	slate grey	89			3	911 555 422 00	cap	/R	1	
2	911 555 084 61	cover strip leather	/R	1			01C	black			
	KZ2	black					4MJ	mahogany			
	TV1	mahogany					9JJ	marine blue			
	TS1	marine blue					9MM	burgundy			
	LG7	burgundy					1DJ	greyish green	-88		
	QC2	greyish green	-88			(3)	911 555 291 50	cap leather	/L	1	M 981
	UD5	caramel					1AJ	black			
	UD6	venetian blue					2LX	mahogany			
	XN6	velvet red	89				7JX	marine blue			
	XN7	slate grey	89				7LD	burgundy			
2	911 555 084 89	cover strip leather	/R 89	1	SPEEDSTER		5JX	greyish green	-88		
	KZ2	black					1MC	velvet red	89		
	TV1	mahogany					2WT	slate grey	89		
	TS1	marine blue					4UC	caramel			
	LG7	burgundy					7KC	venetian blue			
	UD5	caramel				3	911 555 292 50	cap leather	/R	1	M 981
	UD6	venetian blue					1AJ	black			
	XN6	velvet red	89				2LX	mahogany			

Model	Year	MG	SG	Illustration	Restrictions	Update	8:56	17.08.2004	PORSCHE	PET	PORSCHE
911	89	8	07	807-10		179					

Pos	Part Number	Name	Remarks	Qty	Model	Pos	Part Number	Name	Remarks	Qty	Model
	7JX	marine blue					4JX	greyish green/grey-green	-88		
	7LD	burgundy				11	911 555 038 04	package box carpet/ strap leatherette	/R	1	CARRERA
	5JX	greyish green	-88				70E	black/black	-88		
	1MC	velvet red	89				5FV	black/black	89		
	2WT	slate grey	89				5MF	mahogany/mahogany			
	4UC	caramel					3KF	marine blue/marine blue	-88		
	7KC	venetian blue					4KV	marine blue/marine blue	89		
4	900 145 035 02	counters. head tapp. screw B 4,2 X 16		2			80E	burgundy/burgundy	-88		
5	N 100 401 02	cone washer		2	M 981		8MD	burgundy/burgundy	89		
6	900 143 177 02	combination tapping screw B 4,2 X 13		4			8UT	cashmere beige/cash. beige	89		
7	928 555 569 02	guide bush		2			2XF	linen/linen			
8	N 100 665 01	speed nut B 3,5		2			4JX	greyish green/grey-green	-88		
9	N 013 958 7	tapping screw B 3,5 X 13		4		(11)	911 555 037 06	package box carpet/ strap leatherette	/L 88-	1	M 490
10	999 703 077 40	cap		2			70E	black/black	-88		
(11)	911 555 037 04	package box carpet/ strap leatherette	/L	1	CARRERA		5FV	black/black	89		
	70E	black/black	-88				5MF	mahogany/mahogany			
	5FV	black/black	89				3KF	marine blue/marine blue	-88		
	5MF	mahogany/mahogany					4KV	marine blue/marine blue	89		
	3KF	marine blue/marine blue	-88				80E	burgundy/burgundy	-88		
	4KV	marine blue/marine blue	89				8MD	burgundy/burgundy	89		
	80E	burgundy/burgundy	-88				8UT	cashmere beige/cash. beige	89		
	8MD	burgundy/burgundy	89				2XF	linen/linen			
	8UT	cashmere beige/cash. beige	89				4JX	greyish green/grey-green	-88		
	2XF	linen/linen									

Model	Year	MG	SG	Illustration	Restrictions	Update	8:56	17.08.2004	PORSCHE	PET	PORSCHE
911	89	8	07	807-10		179					

Pos	Part Number	Name	Remarks	Qty	Model	Pos	Part Number	Name	Remarks	Qty	Model
11	911 555 038 06	package box carpet/ strap leatherette	/R 88-	1	M 490		9MT	velvet red/velvet red	89		
	70E	black/black	-88				8UT	cashmere beige/cash. beige	89		
	5FV	black/black	89				3WT	slate grey/slate grey	89		
	5MF	mahogany/mahogany					2XF	linen/linen			
	3KF	marine blue/marine blue	-88				5UM	caramel/caramel			
	4KV	marine blue/marine blue	89				3KM	venetian bl./venetian blue			
	80E	burgundy/burgundy	-88				6HM	silver-blue/blue metallic	88		JUBI
	8MD	burgundy/burgundy	89			11	930 555 038 03	package box carpet/ strap leather	/R	1	M 981
	8UT	cashmere beige/cash. beige	89				70E	black/black	-88		
	2XF	linen/linen					5FV	black/black	89		
	4JX	greyish green/grey-green	-88				3KF	marine blue/marine blue	-88		
(11)	930 555 037 03	package box carpet/ strap leather	/L	1	M 981		4KV	marine blue/marine blue	89		
	70E	black/black	-88				5MF	mahogany/mahogany			
	5FV	black/black	89				8JK	greyish green/grey-green	-88		
	3KF	marine blue/marine blue	-88				80E	burgundy/burgundy	-88		
	4KV	marine blue/marine blue	89				8MD	burgundy/burgundy	89		
	5MF	mahogany/mahogany					1VD	champagne/champagne	-88		
	8JK	greyish green/grey-green	-88				4MM	plum red/plum red	-88		
	80E	burgundy/burgundy	-88				7VM	silver-grey/silver-grey	-88		
	8MD	burgundy/burgundy	89				7VT	silk grey/silk grey	89		
	1VD	champagne/champagne	-88				9MT	velvet red/velvet red	89		
	4MM	plum red/plum red	-88				8UT	cashmere beige/cash. beige	89		
	7VM	silver-grey/silver-grey	-88				3WT	slate grey/slate grey	89		
	7VT	silk grey/silk grey	89				2XF	linen/linen			
							5UM	caramel/caramel			
							3KM	venetian bl./venetian blue			

Model	Year	MG	SG	Illustration	Restrictions	Update	8:56	17.08.2004	PORSCHE	PET	PORSCHE
911	89	8	07	807-10		179					

Pos	Part Number	Name	Remarks	Qty	Model	Pos	Part Number	Name	Remarks	Qty	Model
	6HM	silver-blue/blue metallic	88		JUBI		3KF	marine blue/marine blue	-88		
(11)	911 555 037 05	package box carpet/ strap leather	/L 88-	1	M 490/981		4KV	marine blue/marine blue	89		
	70E	black/black	-88				5MF	mahogany/mahogany			
	5FV	black/black	89				8JK	greyish green/grey-green	-88		
	3KF	marine blue/marine blue	-88				80E	burgundy/burgundy	-88		
	4KV	marine blue/marine blue	89				8MD	burgundy/burgundy	89		
	5MF	mahogany/mahogany					1VD	champagne/champagne	-88		
	8JK	greyish green/grey-green	-88				4MM	plum red/plum red	-88		
	80E	burgundy/burgundy	-88				7VM	silver-grey/silver-grey	-88		
	8MD	burgundy/burgundy	89				7VT	silk grey/silk grey	89		
	1VD	champagne/champagne	-88				9MT	velvet red/velvet red	89		
	4MM	plum red/plum red	-88				8UT	cashmere beige/cash. beige	89		
	7VM	silver-grey/silver-grey	-88				3WT	slate grey/slate grey	89		
	7VT	silk grey/silk grey	89				2XF	linen/linen			
	9MT	velvet red/velvet red	89				5UM	caramel/caramel			
	8UT	cashmere beige/cash. beige	89				3KM	venetian bl./venetian blue			
	3WT	slate grey/slate grey	89				6HM	silver-blue/blue metallic	88		JUBI
	2XF	linen/linen				(11)	911 555 037 05	package box carpet/ strap leather	/L 89	1	M 097
	5UM	caramel/caramel					1XV	pearl grey/pearl grey			
	3KM	venetian bl./venetian blue				11	911 555 038 05	package box carpet/ strap leather	/R 89	1	M 097
	6HM	silver-blue/blue metallic	88		JUBI		1XV	pearl grey/pearl grey			
11	911 555 038 05	package box carpet/ strap leather	/R 88-	1	M 490/981						
	70E	black/black	-88			12	900 145 026 07	tapping screw B 4,2 X 22		8	
	5FV	black/black	89			13	999 591 103 17	protection washer		12	

Model	Year	MG	SG	Illustration	Restrictions	Update	8:56	17.08.2004	PORSCHE	PET	PORSCHE
911	89	8	07	807-10		179					

Pos	Part Number	Name	Remarks	Qty	Model	Pos	Part Number	Name	Remarks	Qty	Model
14	999 591 717 40	expander nut B 4,2		10			3VC	silver-grey	-88		
(15)	911 555 097 01	handle leatherette	/L	1			2WH	cashmere beige	89		
	041	black					5VT	silk grey	89		
	3LN	mahogany					4MT	velvet red	89		
	6JN	marine blue					2WT	slate grey	89		
	3MK	burgundy					4UC	caramel			
	8XN	linen					7VX	linen			
	9JN	greyish green	-88				7KC	venetian blue			
	2UU	cashmere beige	89				8HF	blue metallic	88		JUBI
15	911 555 098 01	handle leatherette	/R	1			8HF	blue metallic	89		M 099
	041	black					2XR	pearl grey	89		M 097
	3LN	mahogany				15	911 555 098 51	handle leather	/R	1	
	6JN	marine blue					1AJ	black			
	3MK	burgundy					2LX	mahogany			
	8XN	linen					7JX	marine blue			
	9JN	greyish green	-88				7LD	burgundy			
	2UU	cashmere beige	89				5JX	greyish green	-88		
(15)	911 555 097 51	handle leather	/L	1			1VD	champagne	-88		
	1AJ	black					1MC	plum red	-88		
	2LX	mahogany					3VC	silver-grey	-88		
	7JX	marine blue					2WH	cashmere beige	89		
	7LD	burgundy					5VT	silk grey	89		
	5JX	greyish green	-88				4MT	velvet red	89		
	1VD	champagne	-88				2WT	slate grey	89		
	1MC	plum red	-88				4UC	caramel			
							7VX	linen			
							7KC	venetian blue			

Model	Year	MG	SG	Illustration	Restrictions	Update	8:56	17.08.2004	PORSCHE	PET	PORSCHE
911	89	8	07	807-10		179					

Pos	Part Number	Name	Remarks	Qty	Model	Pos	Part Number	Name	Remarks	Qty	Model
	8HF	blue metallic	88		JUBI		3MK	burgundy			
	8HF	blue metallic	89		M 099		8XN	linen			
	2XR	pearl grey	89		M 097		9JN	greyish green	-88		
16	N 014 761 2	pan-head screw M 6 X 12		8			2UU	cashmere beige	89		
17	N 011 524 7	washer A 6,4		8		(22)	911 555 039 52	cover leather	/L	1	
(18)	911 531 251 00	door opener	/L	1			1AJ	black			
	70B	black					2LX	mahogany			
18	911 531 252 00	door opener	/R	1			7JX	marine blue			
	70B	black					7LD	burgundy			
18A	928 537 747 00	luminous point		2			5JX	greyish green	-88		
19	911 555 583 00	bolt		2			1VD	champagne	-88		
20	900 116 002 01	lock washer		2			1MC	plum red	-88		
21	900 145 075 07	tapping screw B 4,2 X 16	87	2			3VC	silver-grey	-88		
(22)	911 555 039 03	cover lacquered	/L	1			2WH	cashmere beige	89		
	041	black					5VT	silk grey	89		
	3LN	mahogany					4MT	velvet red	89		
	6JN	marine blue					2WT	slate grey	89		
	3MK	burgundy					4UC	caramel			
	8XN	linen					7VX	linen			
	9JN	greyish green	-88				7KC	venetian blue			
	2UU	cashmere beige	89				8HF	blue metallic	88		JUBI
22	911 555 040 03	cover lacquered	/R	1			8HF	blue metallic	89		M 099
	041	black				22	911 555 040 52	cover leather	/R	1	
	3LN	mahogany					2XR	pearl grey	89		M 097
	6JN	marine blue					1AJ	black			
							2LX	mahogany			

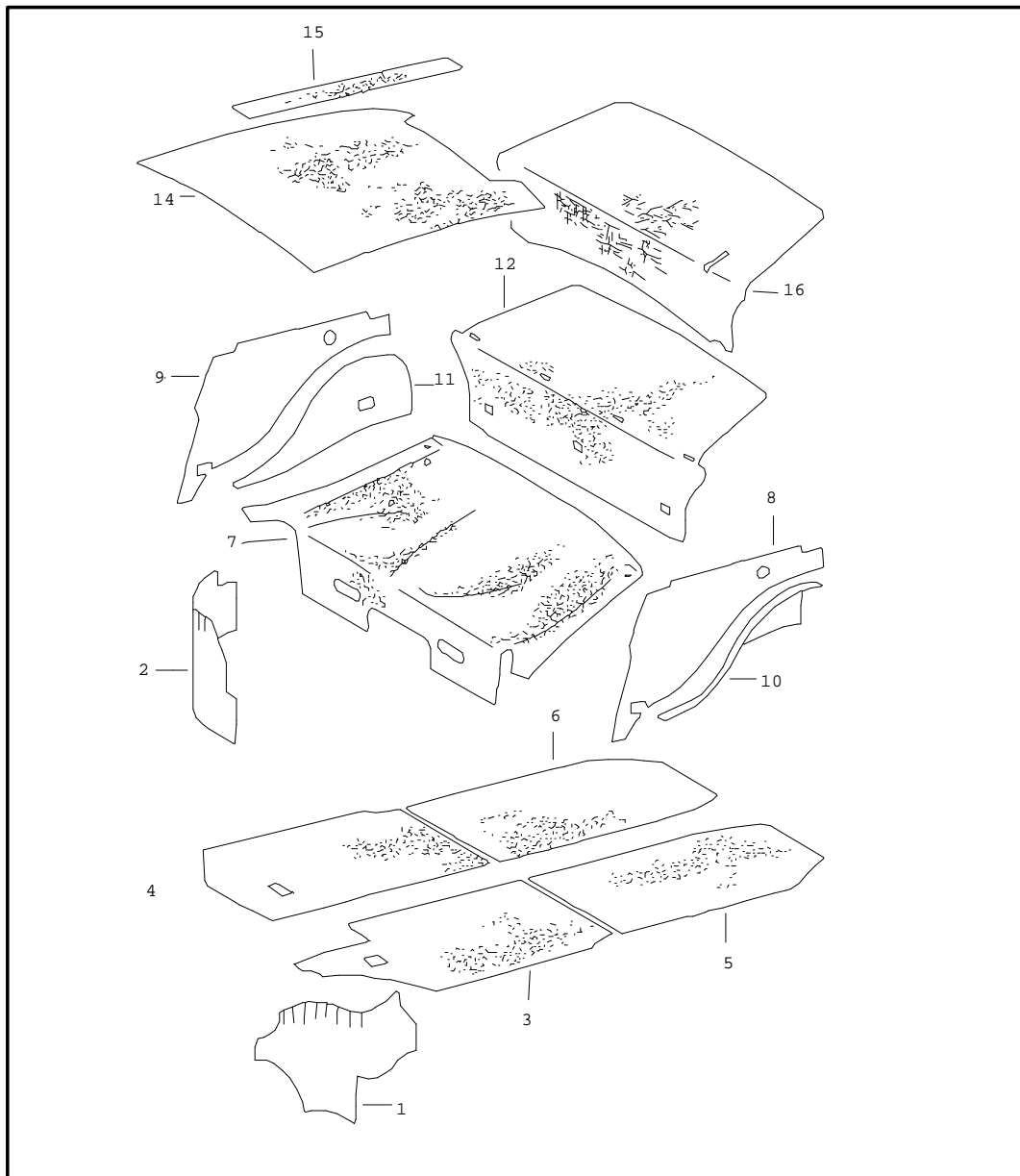
Model	Year	MG	SG	Illustration	Restrictions	Update	8:56	17.08.2004	PORSCHE	PET	PORSCHE
911	89	8	07	807-10		179					

Pos	Part Number	Name	Remarks	Qty	Model	Pos	Part Number	Name	Remarks	Qty	Model
	7JX	marine blue				29	900 145 075 07	tapping screw B 4,2 X 16		2	
	7LD	burgundy				30	999 704 605 07	cone washer		2	
	5JX	greyish green	-88			31	911 613 623 01	grommet		3	
	1VD	champagne	-88			32	911 613 621 03	switch		3	
	1MC	plum red	-88			33	911 613 635 20	wiper frame		3	
	3VC	silver-grey	-88			34	911 555 013 01	loudspeaker grille		2	M 637
	2WH	cashmere beige	89			34	911 555 013 01	loudspeaker grille	87	2	
	5VT	silk grey	89			(34)	911 555 451 00	loudspeaker grille	88-	2	
	4MT	velvet red	89				01C	black woofer			
	2WT	slate grey	89			(34)	911 555 453 00	loudspeaker grille	88-	2	
	4UC	caramel					01C	black tweeter			
	7VX	linen				(34)	911 555 671 00	bracket woofer	88-	2	
	7KC	venetian blue				(34)	911 555 673 00	bracket tweeter	88-	2	
	8HF	blue metallic	88		JUBI						
	8HF	blue metallic	89		M 099	(34)	911 555 673 00	bracket tweeter	88-	2	
	2XR	pearl grey	89		M 097	34A	911 555 645 01	cover loudspeaker grille leatherette		2	M 637
23	914 555 059 10	support		2			05T	black			
24	900 146 011 02	oval-head screw AM 4 X 10		2			1MX	mahogany	-88		
25	N 012 224 3	spring washer B 4		2			1KX	marine blue	-88		
26	900 151 028 02	washer B 4,3		2			2MX	burgundy	-88		
27	911 555 045 03	bearing	/L	1			4JX	greyish green	-88		
(27)	911 555 046 03	bearing	/R	1		35	N 013 967 9	tapping screw	87	8	
27A	911 555 391 00	mounting		2	M 637	35	N 013 967 9	tapping screw B 4,2 X 19		8	M 637
28	900 143 047 07	tapping screw B 4,2 X 19		4		35	900 143 124 07	tapping screw BZ 3,5 X 13 tweeter	88-	6	
28A	N 014 098 6	tapping screw B 4,8 X 16		2	M 637						

Model	Year	MG	SG	Illustration	Restrictions	Update	8:56	17.08.2004	PORSCHE	PET	PORSCHE
911	89	8	07	807-10		179					

Pos	Part Number	Name	Remarks	Qty	Model	Pos	Part Number	Name	Remarks	Qty	Model
35	N 013 967 9	tapping screw B 4,2 X 19 woofer	88-	8							
36	999 591 575 02	speed nut B 4,2		8							
37	911 555 217 00	housing		2	CARRERA/ TURBO						
(37)	911 555 217 01	housing	89	2	SPEEDSTER						
38	900 025 002 02	washer A 4,3		6							
39	N 011 004 6	hexagon nut M 4		6							
40	823 867 299	clip		8							
41	900 151 028 02	washer A 4,3		2							
42	N 013 958 7	tapping screw B 3,5 X 13		2							
43	901 555 341 20	shim window crank		2	M 637/ SPEEDSTER						
		- - - E N D - - -									

Model	Year	MG	SG	Illustration	Restrictions	Update	8:56	17.08.2004	PORSCHE	PET	PORSCHE
911	89	8	07	807-15		179					

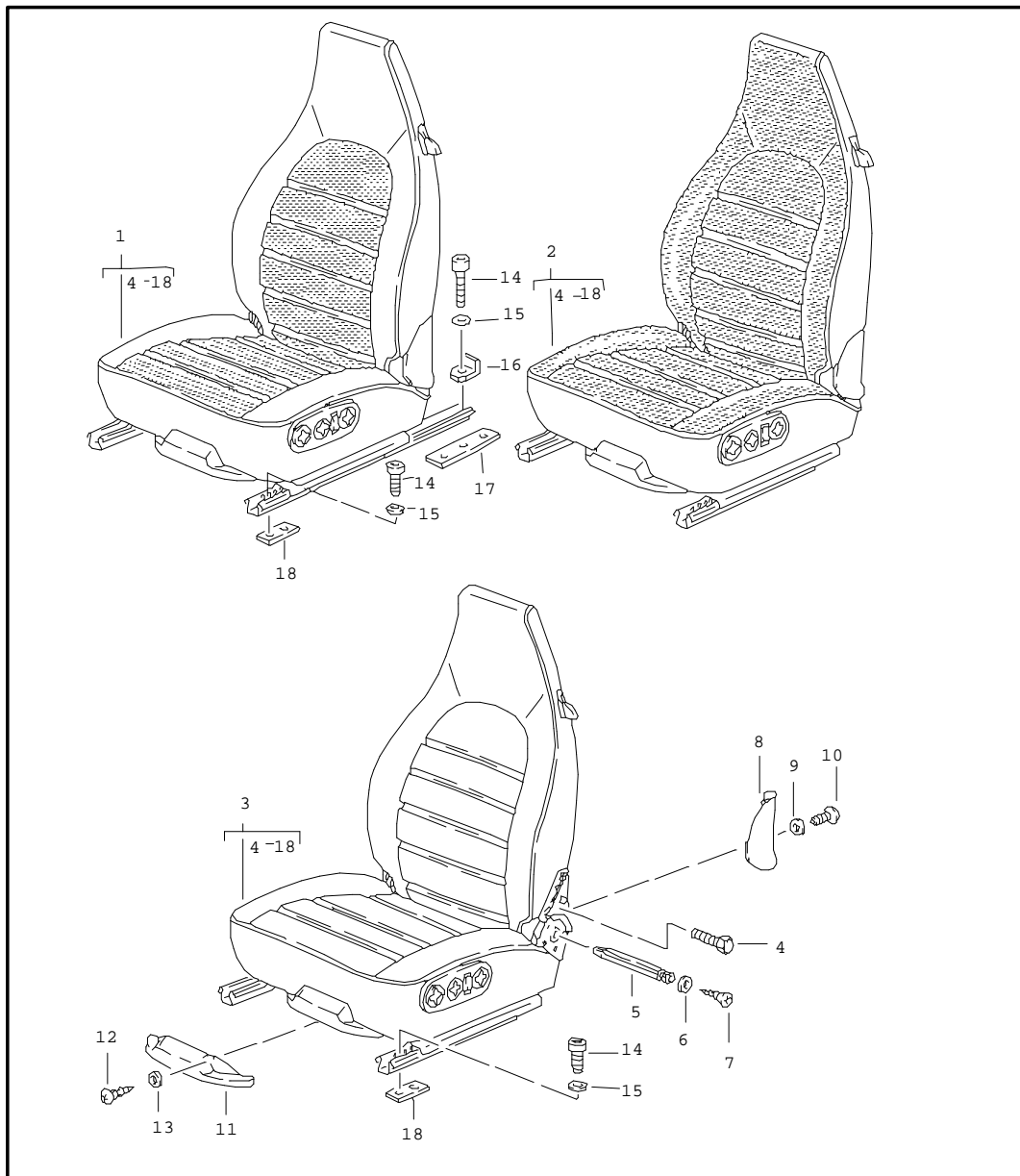


Pos	Part Number	Name	Remarks	Qty	Model
		body sound proofing 1			
(1)	A 911 556 902 00	damping mat	/L	1	TARGA/CABRIO
1	A 911 556 902 00	damping mat wheel housing	/L	1	COUPE
(2)	A 911 556 902 00	damping mat	/R	1	COUPE
2	A 911 556 902 00	damping mat wheel housing	/R	1	TARGA/CABRIO
(1-6)	911 556 902 00	damping mat 1000 X 500		*	
3	A 911 556 902 00	damping mat	/LL/L	1	COUPE
(3)	A 911 556 902 00	damping mat	/LL/L	1	TARGA/CABRIO
(3)	A 911 556 902 00	damping mat floor	/RL/L	1	
4	A 911 556 902 00	damping mat	/LL/R	1	COUPE
(4)	A 911 556 902 00	damping mat	/LL/R	1	TARGA/CABRIO
(4)	A 911 556 902 00	damping mat floor	/RL/R	1	
5	A 911 556 902 00	damping mat floor	/L	1	
6	A 911 556 902 00	damping mat floor	/R	1	
(7)	930 556 233 02	damping mat seat well		1	
8-11	999 913 006 00	sound absorber		*	
8	A 999 913 006 00	sound absorber	/L	1	COUPE
(8)	A 999 913 006 00	sound absorber wheel housing panel upper	/L	1	TARGA/CABRIO
9	A 999 913 006 00	sound absorber	/R	1	COUPE
(9)	A 999 913 006 00	sound absorber wheel housing panel upper	/R	1	TARGA/CABRIO
10	A 999 913 006 00	sound absorber	/L	1	COUPE

Model	Year	MG	SG	Illustration	Restrictions	Update	8:56	17.08.2004	PORSCHE	PET	PORSCHE
911	89	8	07	807-15		179					

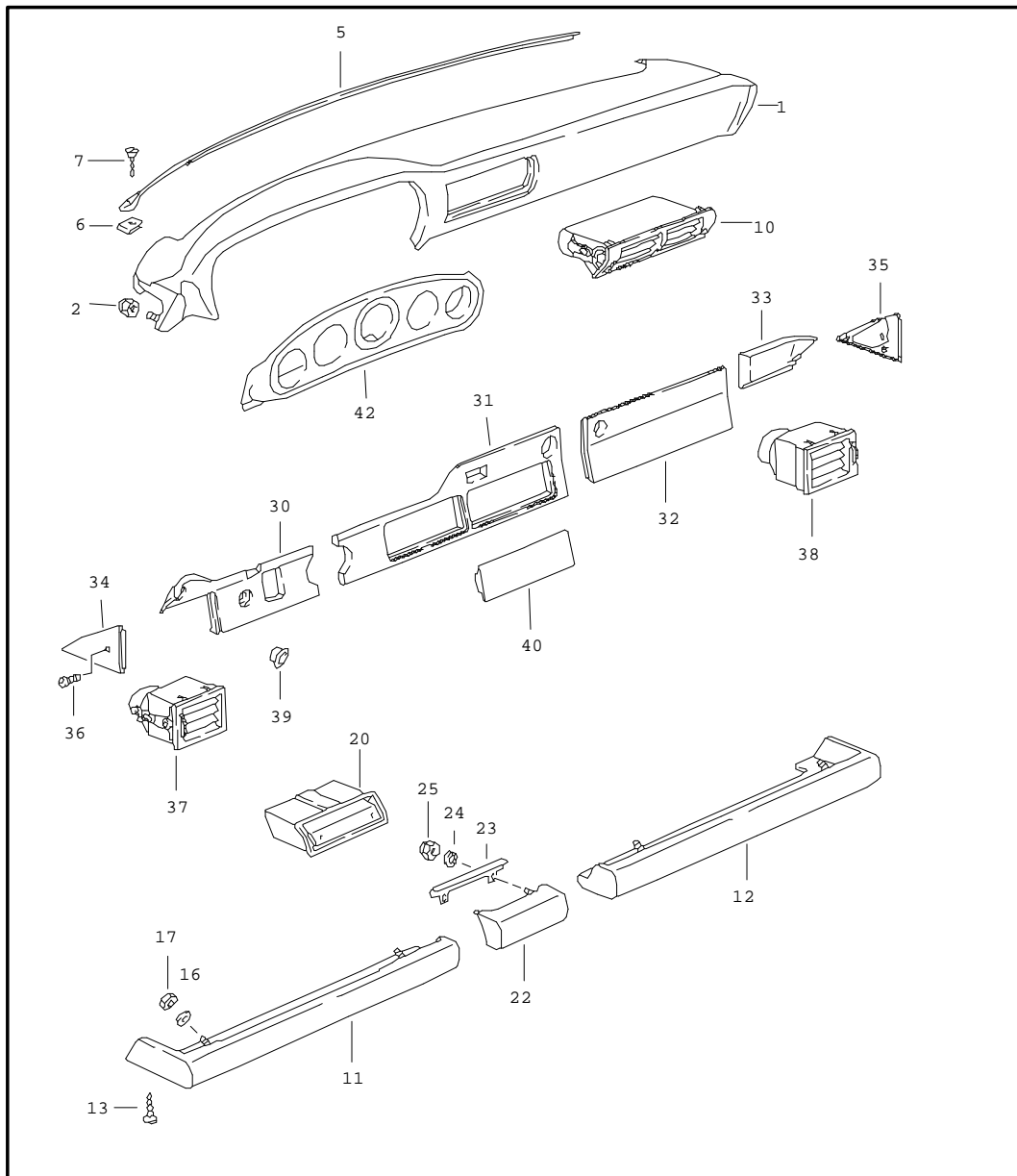
Pos	Part Number	Name	Remarks	Qty	Model	Pos	Part Number	Name	Remarks	Qty	Model
(10)	A 999 913 006 00	sound absorber wheel housing panel lower	/L	1	TARGA/CABRIO						
11	A 999 913 006 00	sound absorber	/R	1	COUPE						
(11)	A 999 913 006 00	sound absorber wheel housing panel lower	/R	1	TARGA/CABRIO						
12	911 556 239 06	damping mat		1	COUPE/TARGA						
(12)	911 556 239 61	damping mat for rear panel it is necessary to rework	89	1	CABRIO SPEEDSTER						
14	911 556 023 01	damping mat roof		1							
15	911 556 248 00	damping strip		4							
(16)	911 556 891 01	damping mat		1	CARRERA						
(16)	930 556 891 02	damping mat pour engine compartment		1	TURBO						
		- - - E N D - - -									

Model	Year	MG	SG	Illustration	Restrictions	Update	8:56	17.08.2004	PORSCHE	PET	PORSCHE
911	89	8	08	808-00		179					



Pos	Part Number	Name	Remarks	Qty	Model
		seat complete			
		group			
		8/08/00 - 8/08/60			
		see group			
		8/06/00 - 8/06/54			
		catalogue			
		STZ.18			
		- - - E N D - - -			

Model	Year	MG	SG	Illustration	Restrictions	Update	8:56	17.08.2004	PORSCHE	PET	PORSCHE
911	89	8	09	809-00		179					



Pos	Part Number	Name	Remarks	Qty	Model
1	911 552 055 05	dashboard with installation parts		1	
	7AE	black	/LL		
	1MX	mahogany			
	3MX	burgundy			
	1KX	marine blue			
	4JX	greyish green	-88		
(1)	911 552 056 05	dashboard trim leatherette	/RL	1	
	7AE	black			
	1MX	mahogany			
	3MX	burgundy			
	1KX	marine blue			
	4JX	greyish green	-88		
1	911 552 055 73	dashboard trim leather	/LL	1	
	LG7	burgundy			
	TV1	mahogany			
	KZ2	black			
	TS1	marine blue			
	QC2	greyish green	-88		
	4MT	velvet red	89		
	UD5	caramel			
	2WT	slate grey	89		
	UD6	venetian blue			
(1)	911 552 056 73	dashboard trim leather	/RL	1	

Model	Year	MG	SG	Illustration	Restrictions	Update	8:56	17.08.2004	PORSCHE	PET	PORSCHE
911	89	8	09	809-00		179					

Pos	Part Number	Name	Remarks	Qty	Model	Pos	Part Number	Name	Remarks	Qty	Model
	LG7	burgundy				7	900 145 084 07	tapping screw B 4,2 X 19		5	
	TV1	mahogany				10	911 572 051 01	centre nozzle	/LL	1	
	KZ2	black					01C	black			
	TS1	marine blue				(10)	911 572 052 01	centre nozzle	/RL	1	
	QC2	greyish green	-88				01C	black			
	4MT	velvet red	89			11	911 552 069 00	knee protection strip leatherette	/LL/L	1	
	UD5	caramel					7AE	black			
	2WT	slate grey	89				3MX	burgundy			
	UD6	venetian blue					1MX	mahogany			
1	911 552 055 73	dashboard trim leather	/LL	1			1KX	marine blue			
	2XR	pearl grey	89		M 097		4JX	greyish green	-88		
2	999 090 003 02	lock nut M 6		7		11	911 552 069 01	knee protection strip leatherette	/RL/L	1	
5 A	911 552 241 01	defroster vent	87	1			7AE	black			
	1DB	black					3MX	burgundy			
	8MT	mahogany					1MX	mahogany			
	5KT	marine blue					1KX	marine blue			
	3MC	burgundy					4JX	greyish green	-88		
	2DL	greyish green				11	911 552 151 50	knee protection strip leather	/LL/L	1	
5	911 552 241 01	defroster vent		1			LG7	burgundy			
	9CW	black					KZ2	black			
	4KW	marine blue					TV1	mahogany			
	5MW	mahogany					TS1	marine blue			
	6LW	burgundy					QC2	greyish green	-88		
	3JW	greyish green	88				4MT	velvet red	89		
6	999 591 713 02	speed nut B 4,2		5			2WT	slate grey	89		

Model	Year	MG	SG	Illustration	Restrictions	Update	8:56	17.08.2004	PORSCHE	PET	PORSCHE
911	89	8	09	809-00		179					

Pos	Part Number	Name	Remarks	Qty	Model	Pos	Part Number	Name	Remarks	Qty	Model
	UD5	caramel					1MX	mahogany			
	UD6	venetian blue					1KX	marine blue			
	8HF	blue metallic	89		M 099		4JX	greyish green	-88		
(11)	911 552 151 51	knee protection strip leather	/RL/L	1		12	911 552 152 50	knee protection strip leather	/LL/R	1	
	LG7	burgundy					LG7	burgundy			
	KZ2	black					KZ2	black			
	TV1	mahogany					TV1	mahogany			
	TS1	marine blue					TS1	marine blue			
	QC2	greyish green	-88				QC2	greyish green	-88		
	4MT	velvet red	89				4MT	velvet red	89		
	2WT	slate grey	89				2WT	slate grey	89		
	UD5	caramel					UD5	caramel			
	UD6	venetian blue					UD6	venetian blue			
	8HF	blue metallic	89		M 099		8HF	blue metallic	89		M 099
11	911 552 151 50	knee protection strip leather	/LL/L	1		(12)	911 552 152 51	knee protection strip leather	/RL/R	1	
	2XR	pearl grey	89		M 097		LG7	burgundy			
12	911 552 070 00	knee protection strip leatherette	/LL/R	1			KZ2	black			
	7AE	black					TV1	mahogany			
	3MX	burgundy					TS1	marine blue			
	1MX	mahogany					QC2	greyish green	-88		
	1KX	marine blue					4MT	velvet red	89		
	4JX	greyish green	-88				2WT	slate grey	89		
12	911 552 070 01	knee protection strip leatherette	/RL/R	1			UD5	caramel			
	7AE	black					UD6	venetian blue			
	3MX	burgundy					8HF	blue metallic	89		M 099
						12	911 552 152 50	knee protection strip leather	/LL/R	1	

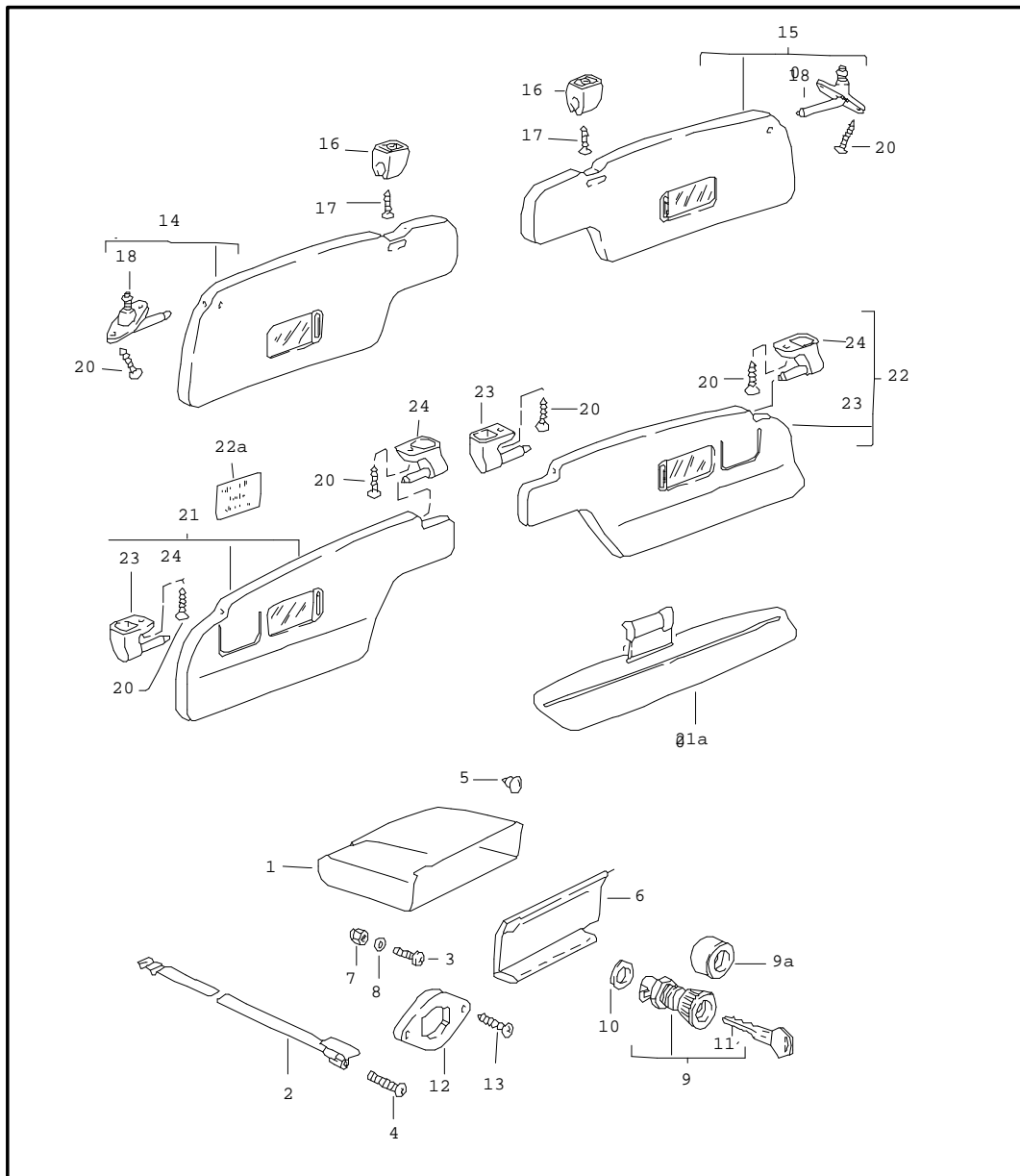
Model	Year	MG	SG	Illustration	Restrictions	Update	8:56	17.08.2004	PORSCHE	PET	PORSCHE
911	89	8	09	809-00		179					

Pos	Part Number	Name	Remarks	Qty	Model	Pos	Part Number	Name	Remarks	Qty	Model
	2XR	pearl grey	89		M 097		70B	black			CARRERA: M 981
13	999 073 062 02	tapping screw B 4,8 X 19		2		(23)	911 552 607 50	fireproof plate		1	TURBO/
16	N 011 665 3	washer B 5,3		4			70B	black			CARRERA: M 981
17	N 011 005 14	hexagon nut M 5		4		24	N 012 224 3	spring washer B 4		2	
20	911 552 101 00	ashtray		1		25	900 070 001 02	cap nut M 4		2	
22	911 552 050 01	ashtray handle leatherette		1		(25)	900 075 408 07	hexagon-head bolt M 4 X 14		2	
	7AE	black				30	911 552 477 09	cover	/LL/L	1	
	1MX	mahogany					7AE	black			
	3MX	burgundy				(30)	911 552 478 10	cover	/RL/R	1	
	1KX	marine blue					7AE	black			
	4JX	greyish green	-88			31	911 552 479 60	cover	/LL	1	
22	911 552 049 50	ashtray handle leather		1			7AE	black			
	LG7	burgundy				(31)	911 552 480 13	cover	/RL	1	
	KZ2	black					7AE	black			
	TV1	mahogany				-	911 552 467 00	cap for POS.31		1	COUPE:M 637
	TS1	marine blue									
	QC2	greyish green	-88			32	911 552 488 04	cover		1	
	4MT	velvet red	89				7AE	black			
	2WT	slate grey	89			33	911 552 594 06	cover	/LL/R	1	
	UD5	caramel					7AE	black			
	UD6	venetian blue				(33)	911 552 593 07	cover	/RL/L	1	
	8HF	blue metallic	89		M 099		7AE	black			
	2XR	pearl grey	89		M 097	34	911 552 113 00	cover	/L	1	
23	911 552 607 00	fireproof plate		1			01C	black			
						35	911 552 114 00	cover	/R	1	

Model	Year	MG	SG	Illustration	Restrictions	Update	8:56	17.08.2004	PORSCHE	PET	PORSCHE
911	89	8	09	809-00		179					

Pos	Part Number	Name	Remarks	Qty	Model	Pos	Part Number	Name	Remarks	Qty	Model
	01C	black									
36	900 145 003 07	tapping screw BZ 3,5 X 9,5		2							
37	911 572 041 00	side vent	/LL/L	1							
	01C	black									
(37)	911 572 075 00	side vent	/RL/L	1							
	01C	black									
38	911 572 042 00	side vent	/LL/R	1							
	01C	black									
(38)	911 572 076 00	side vent	/RL/R	1							
	01C	black									
39	911 552 217 00	rose		1							
	70B	black lid-release cable									
40	911 552 463 02	trim		1							
42	911 552 549 00	cover	/LL	1							
	700	black covering for instruments									
(42)	911 552 550 00	cover	/RL	1							
	700	black covering for instruments									
		- - - E N D - - -									

Model	Year	MG	SG	Illustration	Restrictions	Update	8:56	17.08.2004	PORSCHE	PET	PORSCHE
911	89	8	09	809-05		179					



Pos	Part Number	Name	Remarks	Qty	Model
		glove compartment sun visors			
1	A 911 552 501 00	glove compartment	-88	1	
(1)	964 552 501 00	glove compartment		1	
2	A 911 552 176 01	restraining strap	/LL -88	1	
(2)	911 552 176 01	restraining strap	/LL	1	
2	911 552 175 01	restraining strap	/RL -88	1	
(2)	911 552 175 01	restraining strap	/RL 89	1	
3	A N 014 129 6	oval-head screw		2	
3	900 146 003 02	oval-head screw M 5 X 10		2	
4	900 146 010 02	oval-head screw AM 5 X 30		1	
5	999 703 064 50	rubber buffer 14 X 12		1	
(5)	999 703 330 50	buffer 14 X 17,5		1	
(5)	999 703 230 40	buffer \$=14		2	
6	911 552 010 05	glove box cover		1	
7	N 021 196 1	lock nut M 5		4	
8	900 025 003 02	washer 5,3		4	
9	911 552 902 07	glove compartment lock w/o stipulated lock number order also: POS.9A		1	
9	911 552 902 08	glove compartment lock state lock number order also: POS.9A		1	
9A	911 538 561 00	knob		1	
10	911 552 103 01	washer		1	

Model	Year	MG	SG	Illustration	Restrictions	Update	8:56	17.08.2004	PORSCHE	PET	PORSCHE
911	89	8	09	809-05		179					

Pos	Part Number	Name	Remarks	Qty	Model	Pos	Part Number	Name	Remarks	Qty	Model
11	911 538 902 00	replacement key state lock number		2			RS8	burgundy			
12	911 552 513 02	door lock striker		1		15	911 731 032 35	sun visor with mirror	/R -88	1	COUPE
13	900 143 065 07	tapping screw 2,9 X 9,5		2			CA9	black			
(14)	911 731 031 36	sun visor with mirror	/L -88	1	COUPE:		TV3	mahogany			
	CA9	black					TS3	marine blue			
	TV3	mahogany					RS8	burgundy			
	TS3	marine blue					RS9	greyish green	-88		
	RS8	burgundy				(15)	964 731 032 00	sun visor with mirror	/R 89	1	COUPE
	RS9	greyish green	-88				CA9	black			
(14)	964 731 031 01	sun visor with mirror	/L 89-	1	COUPE: (AUS)(S)		TV3	mahogany			
	CA9	black					TS3	marine blue			
	TV3	mahogany					RS8	burgundy			
	TS3	marine blue				(15)	911 731 032 36	sun visor with mirror	/R -88	1	COUPE:
	RS8	burgundy					CA9	black			
14	911 731 031 35	sun visor with mirror	/L -88	1	COUPE		TV3	mahogany			
	CA9	black					TS3	marine blue			
	TV3	mahogany					RS8	burgundy			
	TS3	marine blue					RS9	greyish green	-88		
	RS8	burgundy				(15)	964 731 032 01	sun visor with mirror	/R 89	1	COUPE: (AUS)(S)
	RS9	greyish green	-88				CA9	black			
(14)	964 731 031 00	sun visor with mirror	/L 89	1	COUPE		TV3	mahogany			
	CA9	black					TS3	marine blue			
	TV3	mahogany					RS8	burgundy			
	TS3	marine blue				16	911 731 331 00	support		2	COUPE:(AUS)
						(16)	911 731 331 00	support		2	COUPE

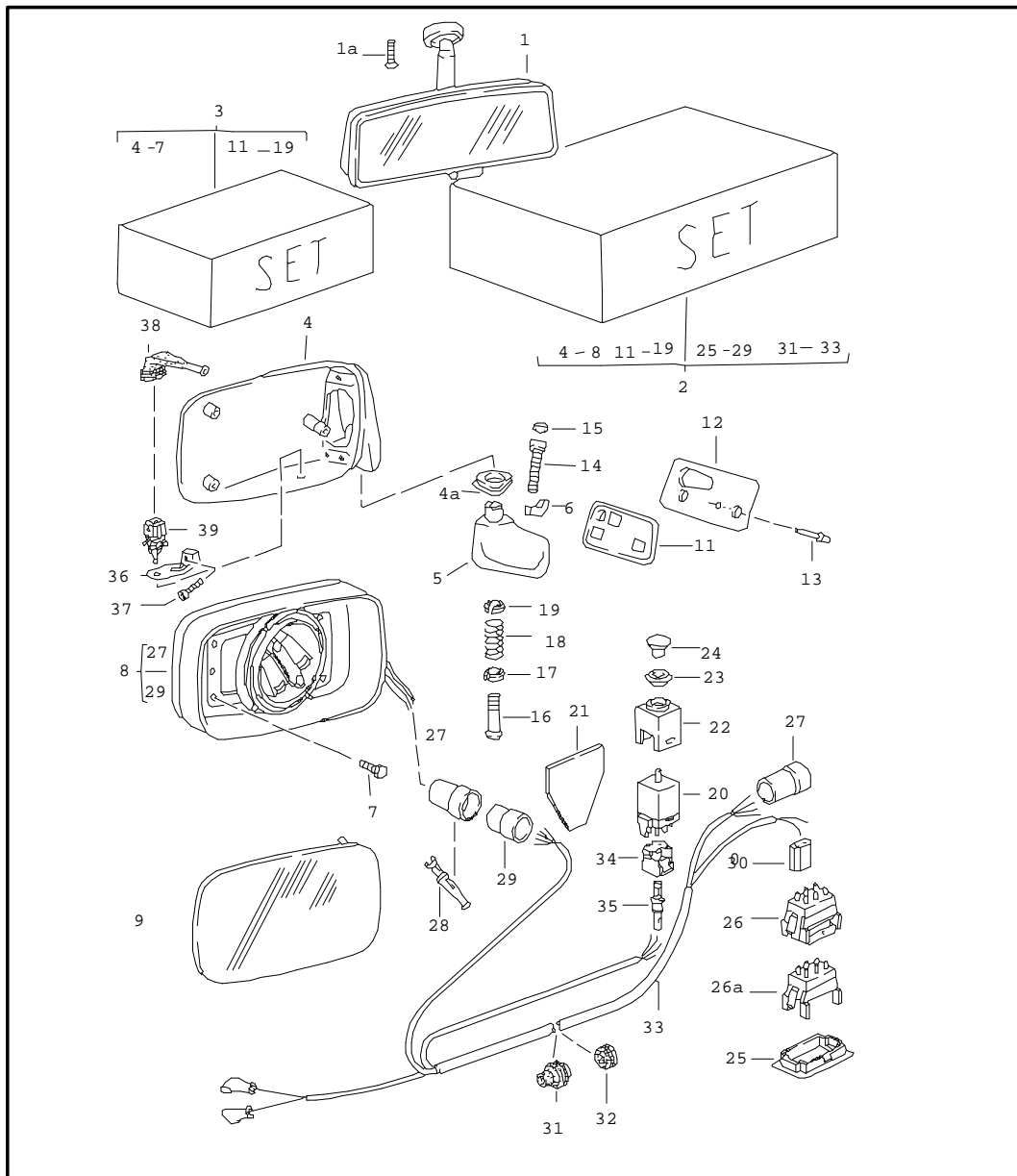
Model	Year	MG	SG	Illustration	Restrictions	Update	8:56	17.08.2004	PORSCHE	PET	PORSCHE
911	89	8	09	809-05		179					

Pos	Part Number	Name	Remarks	Qty	Model	Pos	Part Number	Name	Remarks	Qty	Model
17	900 143 111 07	oval-head sheetmetal screw B 3,9 X 13		2	COUPE		RS8	burgundy			
18	964 731 319 00	bearing	/L -88	1	COUPE	22 A	911 731 032 63	sun visor with mirror	/R -88	1	TARGA/CABRIO
(18)	964 731 319 00	bearing	/L 89	1	COUPE		CA9	black			
(18)	964 731 320 00	bearing	/R -88	1	COUPE	22	964 731 032 40	sun visor with mirror	/R	1	TARGA/CABRIO
(18)	964 731 320 00	bearing	/R 89	1	COUPE		CA9	black			
20	900 145 075 07	tapping screw B 4,2 X 16		4		22	911 731 032 64	sun visor with mirror	/R -88	1	TARGA/CABRIO (AUS) (S)
21	A 911 731 031 63	sun visor with mirror	/L -88	1	TARGA/CABRIO		CA9	black			
	CA9	black				22	964 731 032 41	sun visor with mirror	/R 89	1	TARGA/CABRIO (AUS) (S)
21	964 731 031 40	sun visor with mirror	/L	1	TARGA/CABRIO		CA9	black			
	CA9	black				22A	911 731 401 10	sticker		1	CABRIO
21	A 911 731 031 64	sun visor with mirror	/L -88	1	TARGA/CABRIO (AUS) (S)	22A	911 731 401 20	sticker german		1	CABRIO:M 439
	CA9	black				22A	911 731 401 11	sticker		1	CABRIO
21	964 731 031 41	sun visor with mirror	/L	1	TARGA/CABRIO (AUS) (S)	22A	911 731 401 21	sticker spanish		1	CABRIO:M 439
	CA9	black				22A	911 731 401 12	sticker		1	CABRIO
(21A)	911 731 031 37	sun visor without mirror	/L 89	1	SPEEDSTER	22A	911 731 401 22	sticker french		1	CABRIO:M 439
	CA9	black				22A	911 731 401 13	sticker		1	CABRIO
	TV3	mahogany				22A	911 731 401 23	sticker english		1	CABRIO:M 439
	TS3	marine blue				22A	911 731 401 14	sticker		1	CABRIO
	RS8	burgundy				22A	911 731 401 24	sticker italian		1	CABRIO:M 439
21A	911 731 032 37	sun visor without mirror	/R 89	1	SPEEDSTER	22A	911 731 401 15	sticker		1	CABRIO
	CA9	black				22A	911 731 401 25	sticker japanese		1	CABRIO:M 439
	TV3	mahogany				23 A	964 731 319 40	bearing bracket	/L -88	2	TARGA/CABRIO
	TS3	marine blue									

Model	Year	MG	SG	Illustration	Restrictions	Update	8:56	17.08.2004	PORSCHE	PET	PORSCHE
911	89	8	09	809-05		179					

Pos	Part Number	Name	Remarks	Qty	Model	Pos	Part Number	Name	Remarks	Qty	Model
(23)	964 731 319 40	bearing bracket	/L	2	TARGA/CABRIO						
24	964 731 320 40	bearing	/R -88	2	TARGA/CABRIO						
(24)	964 731 320 40	bearing bracket	89	2	TARGA/CABRIO						
		- - - E N D - - -									

Model	Year	MG	SG	Illustration	Restrictions	Update	8:57	17.08.2004	PORSCHE	PET	PORSCHE
911	89	8	09	809-10		179					

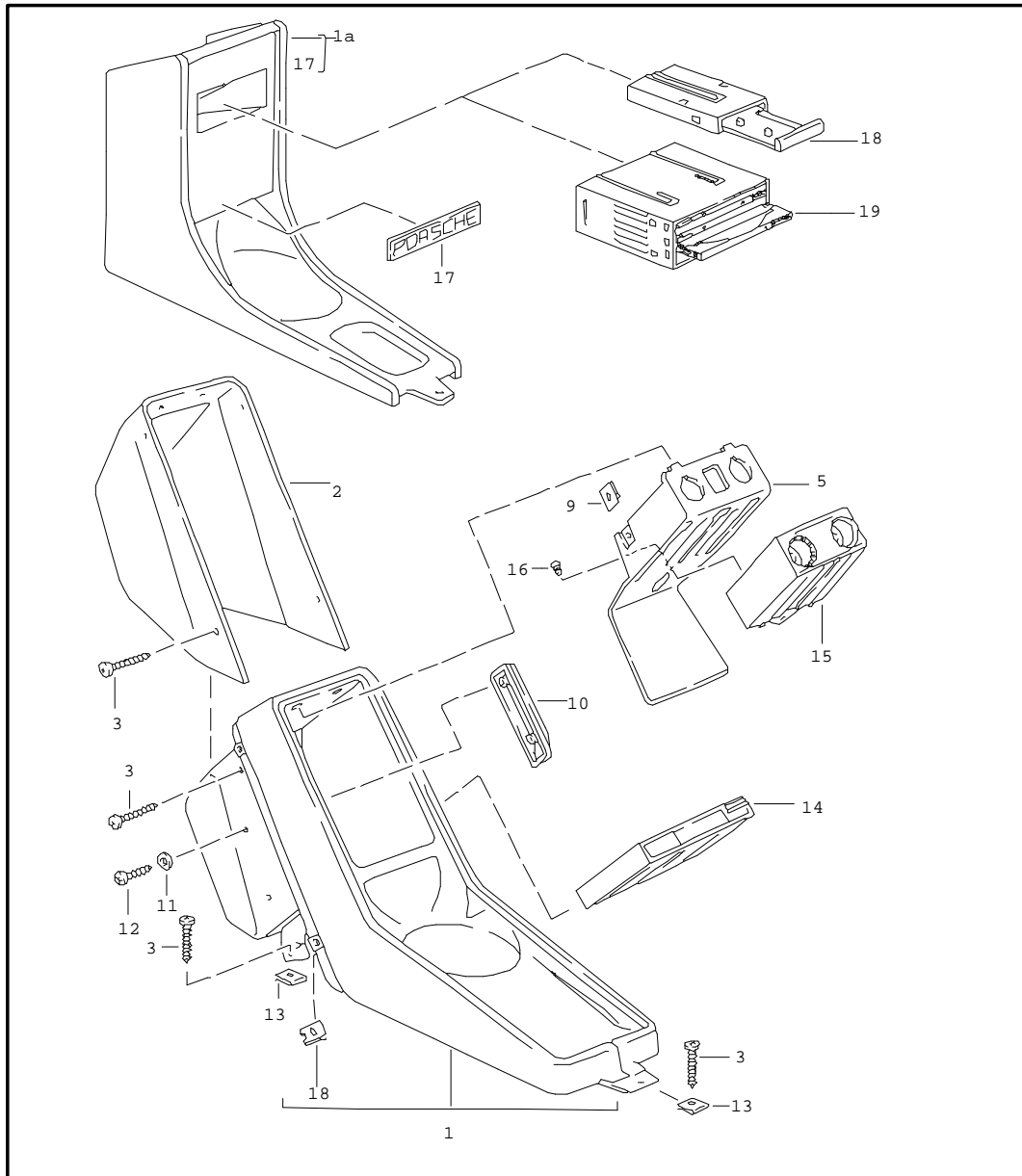


Pos	Part Number	Name	Remarks	Qty	Model
1	477 857 511 A	interior mirror		1	CARRERA/ TURBO
	01C	black			
(1)	911 731 101 00	interior mirror	89	1	SPEEDSTER
	01C	black			
1A	999 219 032 02	countersunk-head screw micro-self-locking M 5 X 12	89	2	SPEEDSTER
2	911 731 901 02	installation set door mirror without mirror glass for subsequent installat.	/LL/R	1	
3	911 731 927 01	repair kit driver's door	/LL/L	1	
(3)	911 731 928 01	repair kit passenger's door	/LL/R	1	
3	911 731 931 01	repair kit passenger's door	/RL/L	1	
(3)	911 731 932 01	repair kit driver's door	/RL/R	1	
4	911 731 043 03	mirror housing	/L	1	
(4)	911 731 044 03	mirror housing	/R	1	
4A	944 731 143 00	seal		2	
5	911 731 241 02	mirror base	/LL/L	1	
(5)	911 731 287 02	mirror base	/RL/L	1	
(5)	911 731 288 02	mirror base	/LL/R	1	
(5)	911 731 242 02	mirror base	/RL/R	1	
6	911 731 263 00	mounting piece		2	
7	999 143 003 02	hexagon-head bolt M 5 X 10		3	
8	944 731 027 01	electric installation set		2	

Model	Year	MG	SG	Illustration	Restrictions	Update	8:57	17.08.2004	PORSCHE	PET	PORSCHE
911	89	8	09	809-10		179					

Pos	Part Number	Name	Remarks	Qty	Model	Pos	Part Number	Name	Remarks	Qty	Model
9	944 731 035 02	mirror glass		1		26	928 613 240 00	rocker switch		1	M 261/528
9	944 731 035 04	mirror glass plan		1	(S)		01C	satin black			
(9)	944 731 035 03	mirror glass convex		1		26A	928 612 325 00	adapter plug		1	
							01C	satin black			
9	944 731 035 05	mirror glass convex		1	(S)	27	803 971 980	connector 7-pole		1	
11	911 731 247 00	desk pad	/L	1		28	N 017 564 1	round connector 1,6 - 1		X	
(11)	911 731 248 00	desk pad	/R	1		29	803 971 979	plug socket 7-pole		1	
12	911 531 197 00	reinforcement	/L	1		30	171 971 999 A	terminal sleeve housing 2-pole		1	
(12)	911 531 198 00	reinforcement	/R	1		31	477 957 861	rubber sleeve		1	
13	999 190 123 02	blind rivet 3,2 X 7,37		2		32	999 702 136 40	rubber sleeve 8 X 31 X 7		1	
14	999 218 021 02	pan-head screw AM 5 X 35		1		(33)	911 612 165 04	wiring harness driver's door		1	
15	999 703 137 40	cap		1		33	911 612 165 05	wiring harness driver's door with alarm system	/LL	1	
16	911 731 257 02	guide tube		1		(33)	911 612 166 04	wiring harness passenger's door		1	
17	911 731 345 02	adjusting washer lower		1		34	928 612 542 00	clutch housing 5-pole		1	
18	911 731 029 01	compression spring		1		35	944 612 548 00	contact bush		4	
19	911 731 347 00	adjusting washer upper		1		(36)	927 641 342 00	support	/RL	1	M 099
20	928 613 241 00	switch		1		36	928 641 342 00	support	/LL	1	M 097/099
21	911 731 343 03	gasket		1		37	N 014 760 3	pan-head screw M 5 X 12		1	M 097/099
22	911 613 423 00	wiper frame		1		38	911 612 817 00	protection cap		1	M 097/099
23	911 613 425 00	rose		1		39	928 641 142 00	temperature sensor		1	M 097/099
		01C black									
24	911 613 082 00	knob		1							
		01C black									
25	911 613 615 01	support		1							
		1DB black									
								- - - E N D - - -			

Model	Year	MG	SG	Illustration	Restrictions	Update	8:57	17.08.2004	PORSCHE	PET	PORSCHE
911	89	8	09	809-15		179					

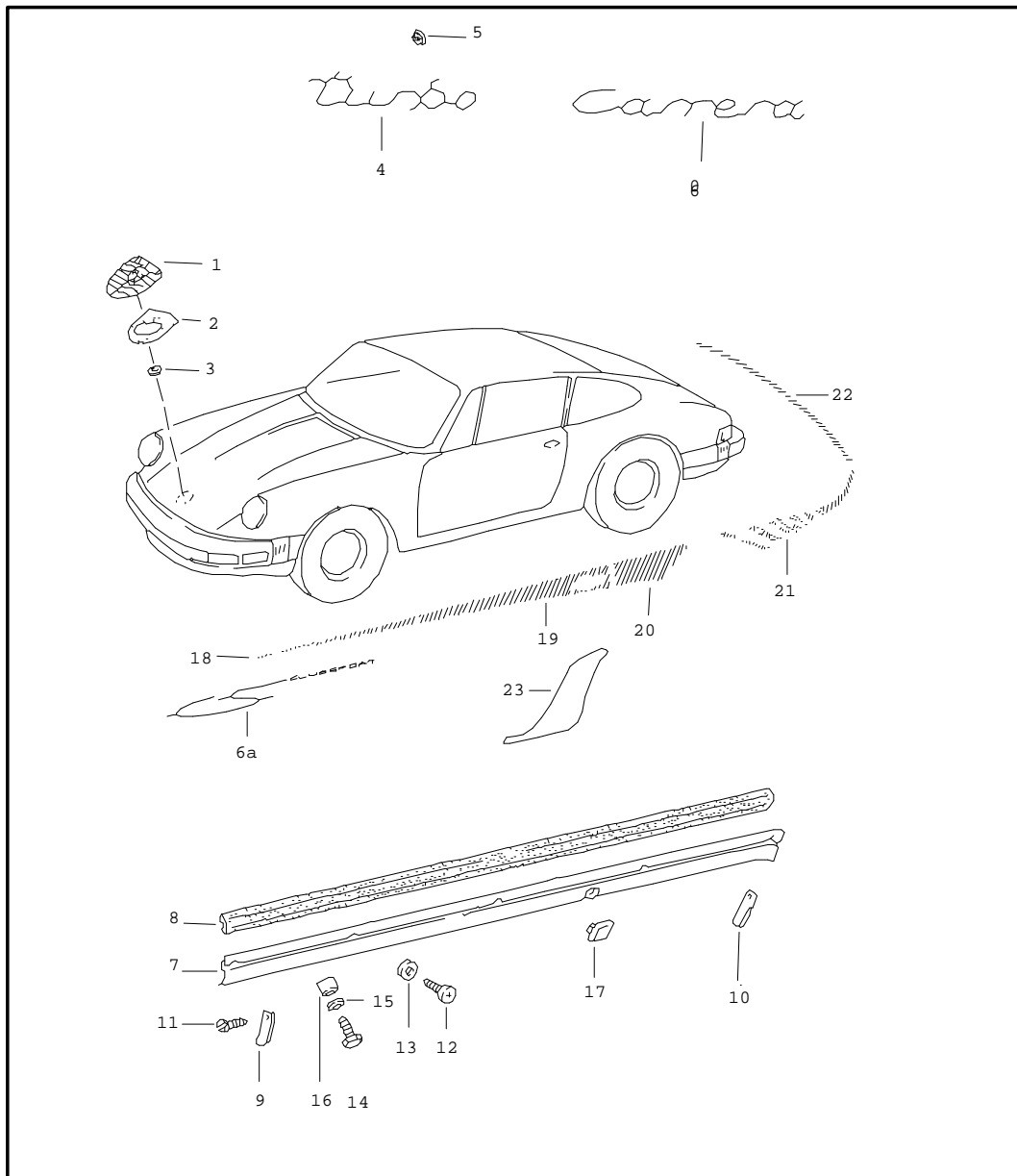


Pos	Part Number	Name	Remarks	Qty	Model
1	911 552 030 03	centre console centre console leatherette		1	
	05T	black			
	1MX	mahogany			
	1KX	marine blue			
	3MK	burgundy			
	4JX	greyish green	-88		
	4WX	linen			
	7RT	cashmere beige	89		
1	911 552 030 50	centre console leather		1	
	KZ2	black			
	TV1	mahogany			
	TS1	marine blue			
	UD3	plum red	-88		
	UD4	silver-grey	-88		
	LG5	champagne	-88		
	UD5	caramel			
	LG7	burgundy			
	QC2	greyish green	-88		
	TW1	linen			
	XN4	cashmere beige	89		
	XN5	silk grey	89		
	XN6	velvet red	89		
	XN7	slate grey	89		
	UD6	venetian blue			
	8HF	blue metallic	88		JUBI:88

Model	Year	MG	SG	Illustration	Restrictions	Update	8:57	17.08.2004	PORSCHE	PET	PORSCHE
911	89	8	09	809-15		179					

Pos	Part Number	Name	Remarks	Qty	Model	Pos	Part Number	Name	Remarks	Qty	Model
1A	911 552 921 01	centre console whole-leather	89	1	M 097/099		8HF	blue metallic	89		M 099
	2XR	pearl grey	89		M 097	18	928 552 932 02	cassette box	89	2	M 097/099
	8HF	blue metallic	89		M 099	19	928 552 933 02	box for cds	89	1	M 097/099
								- - - E N D - - -			
1B	999 507 018 02	speed nut B 4,2		4							
2	911 552 231 00	cap		1							
3	900 143 121 07	tapping screw B 4,2 X 16		4							
(5)	911 613 069 01	cassette carrier		1							
	70B	black									
9	999 507 018 02	speed nut B 4,2		4							
10	911 552 177 01	stop		1	CARRERA						
(10)	911 552 519 00	stop		1	TURBO/ CARRERA: M 559						
11	900 025 003 02	washer A 5,3		2							
12	N 013 961 2	tapping screw B 3,9 X 13		2							
13	999 507 240 00	speed nut B 4,2		3							
14	911 645 226 02	cassette box		X							
15	911 613 611 01	switch housing		1	TURBO/ CARRERA: M 559						
	01C	black									
16	999 190 363 40	plug 4,1 X 8		1	TURBO/ CARRERA: M 559						
17	911 552 923 00	logo whole-leather	89	1							
	2XR	pearl grey	89		M 097						

Model	Year	MG	SG	Illustration	Restrictions	Update	8:57	17.08.2004	PORSCHE	PET	PORSCHE
911	89	8	10	810-00		179					

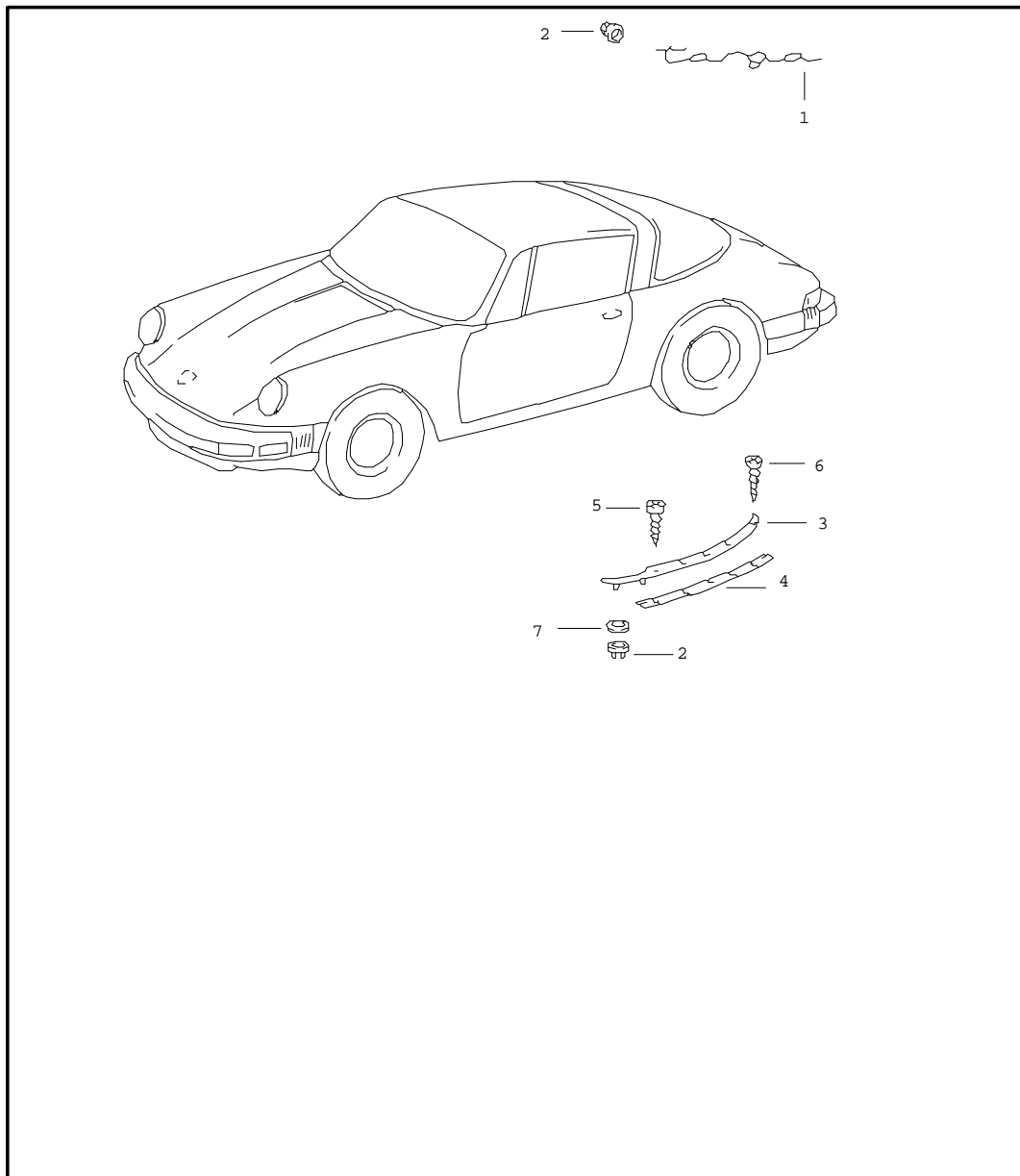


Pos	Part Number	Name	Remarks	Qty	Model
		decorative fittings			
1	A 901 559 210 20	lid emblem		1	
1	993 559 211 00	lid emblem		1	
2	901 559 215 20	desk pad		1	
3	999 591 423 03	tapping nut		2	
4	930 559 317 00	logo F >>93JS0 00375 F >>93JS0 20135 F >>93JS0 10096		1	TURBO TURBO COUPE TURBO CABRIO TURBO TARGA
4	930 559 317 02	logo 70C black F 93JS0 00376>> F 93JS0 20136>> F 93JS0 10097>>		1	TURBO TURBO COUPE TURBO CABRIO TURBO TARGA
5	999 591 423 03	tapping nut		2	
6	911 559 037 00	logo 70C black		1	CARRERA
6A	911 559 339 00	logo black for wing	/L	1	CARRERA: M 637
6A	911 559 339 01	logo silver for wing	/L	1	CARRERA: M 637
7	911 559 047 01	trim	/L	1	CARRERA
(7)	930 559 047 01	trim	/L	1	TURBO/ CARRERA: M 491
(7)	911 559 048 01	trim	/R	1	CARRERA
(7)	930 559 048 01	trim	/R	1	TURBO/ CARRERA: M 491
8	930 559 103 01	rubber moulding it is necessary to rework		2	CARRERA

Model	Year	MG	SG	Illustration	Restrictions	Update	8:57	17.08.2004	PORSCHE	PET	PORSCHE
911	89	8	10	810-00		179					

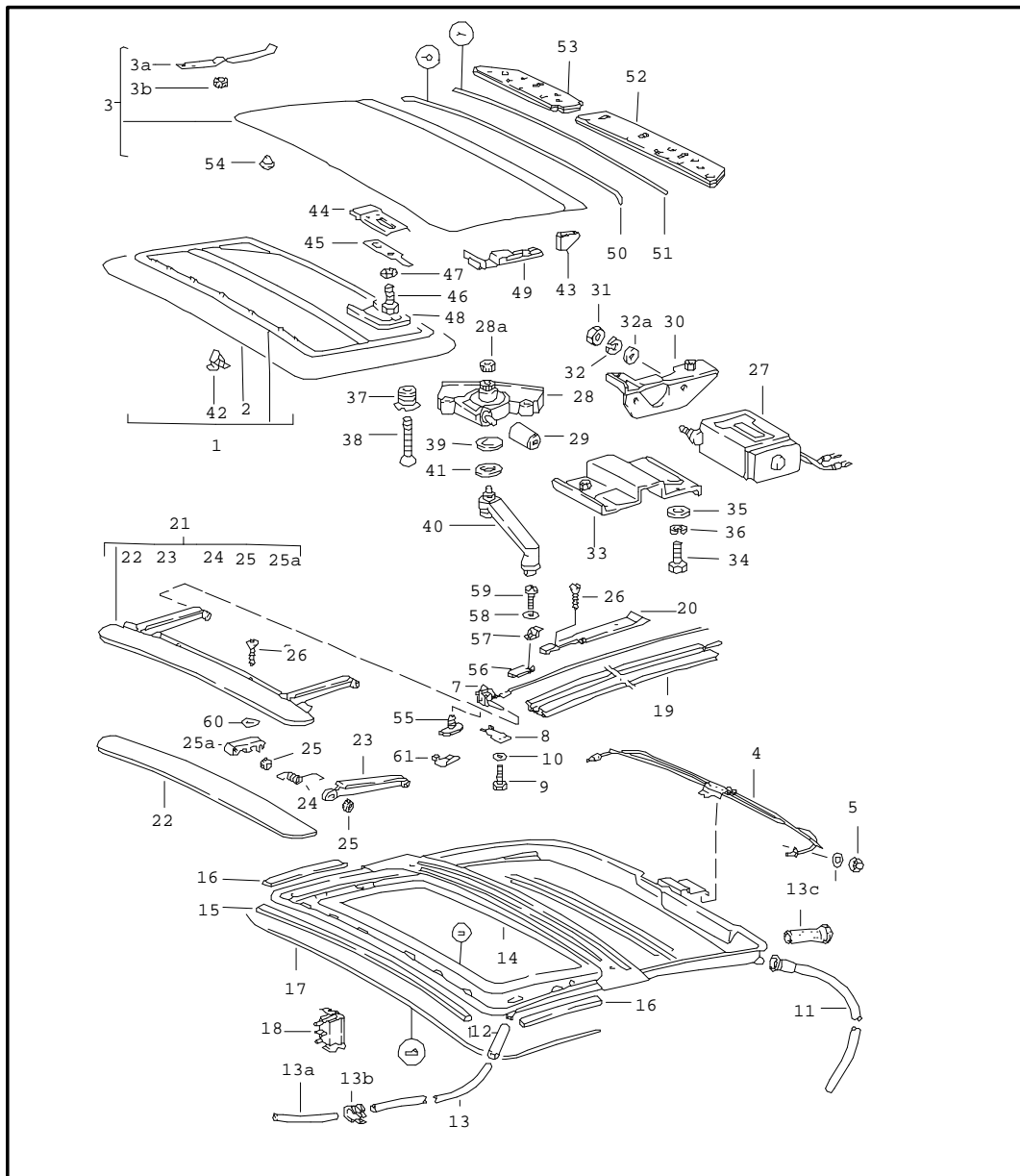
Pos	Part Number	Name	Remarks	Qty	Model	Pos	Part Number	Name	Remarks	Qty	Model
9	PCG 559 941 04	end piece	/V/R /H/L	2		(21)	930 559 308 00	adhesive film black	/R	1	
10	PCG 559 941 04	end piece	/V/L /H/R	2		22	930 559 309 00	adhesive film black	/H	1	
11	900 143 049 07	tapping screw BZ 3,5 X 9,5		8		(18)	930 559 301 01	adhesive film white	/L	1	
12	900 143 031 02	oval-head sheetmetal screw B 4,2 X 9,5		10		(18)	930 559 302 01	adhesive film white	/R	1	
13	900 025 002 02	washer 4,3		10		(19)	930 559 303 01	adhesive film white	/L	1	
14	900 187 032 02	tapping screw B 6,3 X 32	/L	3		(19)	930 559 304 01	adhesive film white	/R	1	
14	900 187 129 02	tapping screw B 6,3 X 38	/R	3		(20)	930 559 305 01	adhesive film white	/L	1	
15	900 151 007 02	washer B 7,4		6		(20)	930 559 306 01	adhesive film white	/R	1	
16	911 559 145 01	spacer sleeve 5 MM		X		(21)	930 559 307 01	adhesive film white	/L	1	
16	911 559 145 00	spacer sleeve 10 MM		X		(21)	930 559 308 01	adhesive film white	/R	1	
17	911 559 149 01	plug		2		(22)	930 559 309 01	adhesive film white	/H	1	
18	930 559 301 00	adhesive film black	/L	1		23	930 559 321 00	stone guard film	/L	1	TURBO
(18)	930 559 302 00	adhesive film black	/R	1		(23)	930 559 322 00	stone guard film	/R	1	TURBO
19	930 559 303 00	adhesive film black	/L	1				- - - E N D - - -			
(19)	930 559 304 00	adhesive film black	/R	1							
20	930 559 305 00	adhesive film black	/L	1							
(20)	930 559 306 00	adhesive film black	/R	1							
21	930 559 307 00	adhesive film black	/L	1							

Model	Year	MG	SG	Illustration	Restrictions	Update	8:57	17.08.2004	PORSCHE	PET	PORSCHE
911	89	8	10	810-05		179					



Pos	Part Number	Name	Remarks	Qty	Model
		decorative fittings			TARGA
1	911 559 307 41	logo		2	
2	999 591 423 03	tapping nut \$=3		6	
(3)	911 565 049 40	moulding 70K black	/L	1	
(3)	911 565 050 40	moulding 70K black	/R	1	
4	901 565 557 40	pipng		2	
5	A N 013 957 5	tapping screw		8	
5	N 013 957 5	tapping screw B 3,5 X 9,5		8	
6	900 144 009 00	counters. head tapp. screw 2,9 X 13		2	
7	900 151 006 40	washer B 6,4		4	
- - - E N D - - -					

Model	Year	MG	SG	Illustration	Restrictions	Update	8:58	17.08.2004	PORSCHE	PET	PORSCHE
911	89	8	11	811-00		179					



Pos	Part Number	Name	Remarks	Qty	Model
1	911 564 020 00	sunroof roof frame F >>91KS1 01754 F >>93KS0 00306 700 black 1MX mahogany 1KX marine blue 8LC burgundy 4JX greyish green	-88	1	COUPE M 650
1	964 564 020 00	roof frame F 91KS1 01755>> F 93KS0 00307>> 700 black 1MX mahogany 1KX marine blue 8LC burgundy 4JX greyish green	-88	1	
2	A 901 564 291 07	cover F >>91KS1 01754 F >>93KS0 00306 700 black 8LC burgundy 1MX mahogany 1KX marine blue 4JX greyish green	87	1	
2	911 564 201 00	cover F >>91KS1 01754 F >>93KS0 00306 700 black 8LC burgundy 1MX mahogany	-88	1	

Model	Year	MG	SG	Illustration	Restrictions	Update	8:58	17.08.2004	PORSCHE	PET	PORSCHE
911	89	8	11	811-00		179					

Pos	Part Number	Name	Remarks	Qty	Model	Pos	Part Number	Name	Remarks	Qty	Model
	1KX	marine blue				10	N 012 116 1	serrated lock washer A 4,3		4	
	4JX	greyish green	-88								
2	964 564 201 00	cover F 91KS1 01755>> F 93KS0 00307>>		1		(11)	911 564 825 00	water drain hose F >>91JS1 01686 F >>91JS1 09839 F >>91JS1 05093 F >>93JS0 00314	/H	2	COUPE COUPE (J) COUPE M637 COUPE TURBO
	700	black				11	944 564 235 04	water drain hose F 91JS1 01687>> F 91JS1 09840>> F 91JS1 05094>> F 93JS0 00315>>	/H	2	COUPE COUPE (J) COUPE M 637 COUPE TURBO
	1MX	mahogany									
	1KX	marine blue									
	8LC	burgundy									
3	A 930 564 051 01	cover F >>91KS1 01754 F >>93KS0 00306		1		(13)	A 911 503 821 01	water drain hose F >>91JS1 01686 F >>91JS1 09839 F >>91JS1 05093 F >>93JS0 00314	/V	2	
3	964 564 051 01	cover until vehicle identification no. use also: POS.1 + 49 from vehicle identification no. F >>91KS1 01754 F 91KS1 01755>> F >>93KS0 00306 F 93KS0 00307>>		1		(13)	A 911 503 581 01	water drain tube F >>91JS1 01686 F >>91JS1 09839 F >>91JS1 05093 F >>93JS0 00314	/L	1	COUPE COUPE (J) COUPE M637 COUPE TURBO
						13	911 503 581 02	water drain tube	/L	1	
						(13)	A 911 503 582 01	water drain tube F >>91JS1 01686 F >>91JS1 09839 F >>91JS1 05093 F >>93JS0 00314	/R	1	COUPE COUPE (J) COUPE M637 COUPE TURBO
3A	911 564 417 00	leaf spring		2		(13)	911 503 582 02	water drain tube	/R	1	
3B	911 564 420 00	knurled nut		4		-	999 181 122 40	hose 7 X 10 290 MM	/V	*	
(4)	964 564 231 00	pipeline		1				F 91JS1 01687>> F 91JS1 09840>> F 91JS1 05094>> F 93JS0 00315>>		2	COUPE COUPE (J) COUPE M 637 COUPE TURBO
5	N 011 005 14	hexagon nut M 5		2							
6	900 025 003 02	washer A 5,3		2		13B	N 020 621 1	clamp B 12/8 F 91JS1 01687>> F 91JS1 09840>> F 91JS1 05094>> F 93JS0 00315>>	/V	2	COUPE COUPE (J) COUPE M 637 COUPE TURBO
(7)	964 564 143 00	guide	/L	1							
7	964 564 144 00	guide	/R	1							
8	901 564 451 05	reinforcement		2		13C	911 564 297 00	grommet F 91JS1 01687>> F 91JS1 09840>> F 91JS1 05094>> F 93JS0 00315>>	/H	2	COUPE COUPE (J) COUPE M 637 COUPE TURBO
9	900 075 106 02	hexagon-head bolt M 4 X 6		4							

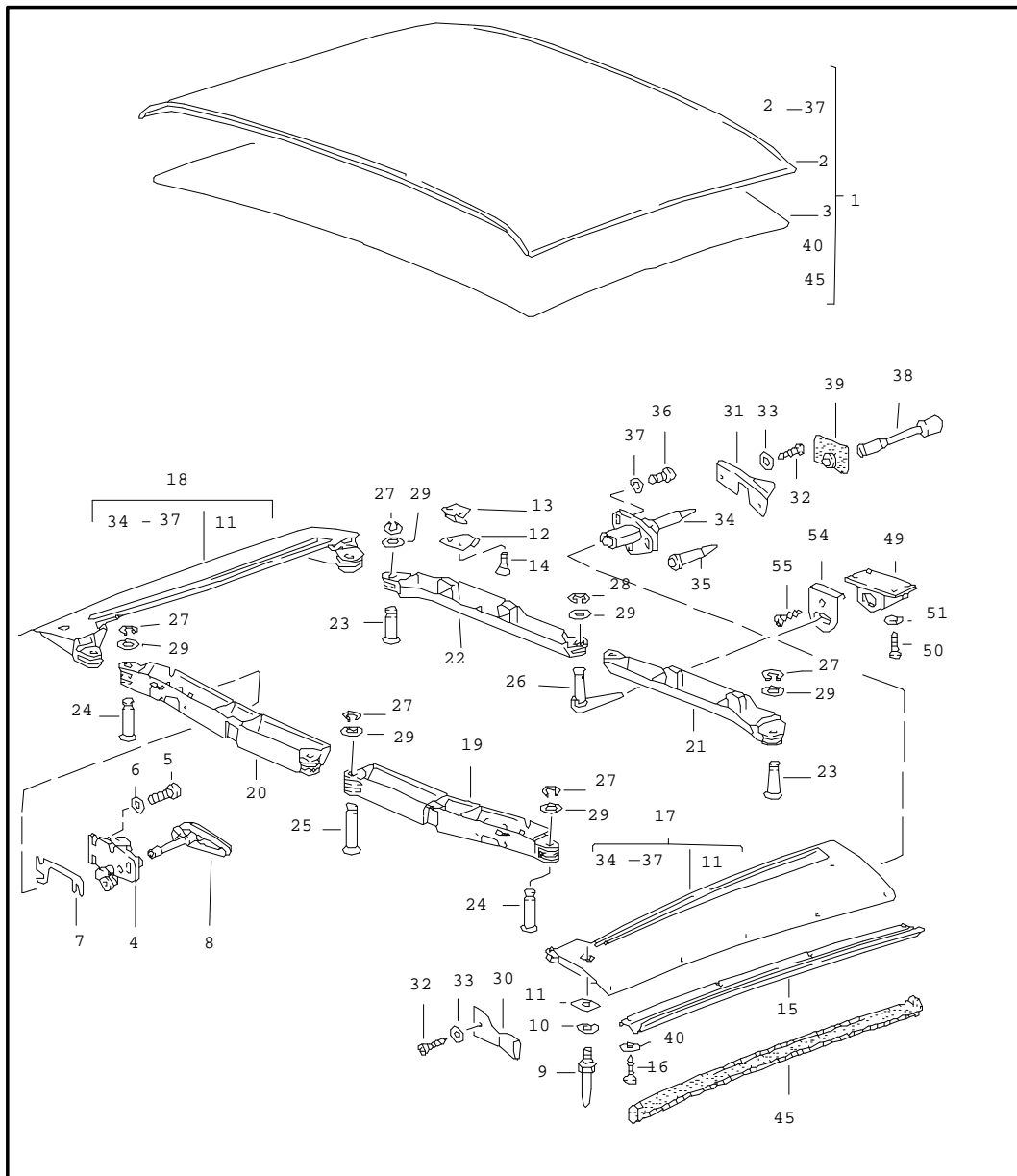
Model	Year	MG	SG	Illustration	Restrictions	Update	8:58	17.08.2004	PORSCHE	PET	PORSCHE
911	89	8	11	811-00		179					

Pos	Part Number	Name	Remarks	Qty	Model	Pos	Part Number	Name	Remarks	Qty	Model
14	911 564 465 00	beading		1		(21) A	911 564 005 01	air deflector with spoiler F 91KS1 01755>> F 93KS0 00307>>		1	
15	911 564 409 00	sealing strip		1							
16	911 564 409 01	sealing strip lateral		2							
17	911 564 191 00	velvet strip		1		(21)	964 564 005 01	air deflector F 91KS1 01755>> F 93KS0 00307>>		1	
18	911 613 622 00	tip switch for electric adjustment		1			70K	black			
19	911 564 041 01	guide rail F >>91HS1 00682 F >>91HS1 09587 F >>93HS0 00218	/L	1		22 A	911 564 015 00	wind deflector plate F >>91KS1 01754 F >>93KS0 00306		1	
(19)	911 564 041 02	guide rail F 91HS1 00683>>91KS1 01170 F 91HS1 09588>>93KS0 00223	/L	1		23	911 564 127 00	hinge		2	
(19)	964 564 341 00	guide rail F 91KS1 01171>> F 93KS0 00224>>	/L	1		24	911 564 125 00	spring F >>91KS1 01754 F >>93KS0 00306	/L	1	
19	911 564 042 01	guide rail F >>91HS1 00682 F >>91HS1 09587 F >>93HS0 00218	/R	1		(24)	911 564 126 00	spring F >>91KS1 01754 F >>93KS0 00306	/R	1	
(19)	911 564 042 02	guide rail F 91HS1 00683>>91KS1 01170 F 93HS0 00219>>93KS0 00223	/R	1		25	911 564 423 00	rubber stop		4	
(19)	964 564 342 00	guide rail F 91KS1 01171>> F 93KS0 00224>>	/R	1		25A	911 564 123 00	clip		2	
20	911 564 047 00	intermediate piece F >>91HS1 00682 F >>91HS1 09587 F >>93HS0 00218		2	(J)	26	900 145 009 02	tapping screw B 3,9 X 9,5 F >>91HS1 00682 F >>91HS1 09587 F >>93HS0 00218		2	(J)
(20)	911 564 047 01	intermediate piece F 91HS1 00683>> F 91HS1 09588>> F 93HS0 00219>>		2	(J)	(26)	900 145 028 02	tapping screw B 3,9 X 13 F >>91HS1 00682 F >>91HS1 09587 F >>93HS0 00218		2	(J)
21	911 564 005 01	air deflector without spoiler F >>91KS1 01754 F >>93KS0 00306		1		(26)	900 270 060 07	countersunk-head screw M 4 X 10 F 91HS1 00683>> F 91HS1 09588>> F 93HS0 00219>>		4	(J)
						27	911 624 016 03	motor		1	
						28	911 564 601 01	transmission		1	
						28A	928 564 125 02	drive pinion		1	

Model	Year	MG	SG	Illustration	Restrictions	Update	8:58	17.08.2004	PORSCHE	PET	PORSCHE
911	89	8	11	811-00		179					

Pos	Part Number	Name	Remarks	Qty	Model	Pos	Part Number	Name	Remarks	Qty	Model
29	911 624 103 00	clutch		1		(49)	964 564 435 00	support F 91KS1 01755>> F 93KS0 00307>>		1	
30	911 624 007 01	engine support		1							
31	N 011 005 14	hexagon nut M 5		2		50	911 564 193 00	velvet strip		1	
32	N 012 005 3	lock ring B 5		2		51	901 564 905 05	sealing rubber rear		1	
32A	900 025 003 02	washer A 5,3		2		(52)	911 564 025 01	cover	/L	1	
33	964 564 035 00	support		1		53	911 564 026 00	cover	/R	1	
34	N 010 225 4	hexagon-head bolt M 5 X 8		1		54	999 703 013 50	plug		2	
35	900 025 003 02	washer A 5,3		2		55	999 591 774 40	plug		2	
36	N 012 005 3	lock ring B 5		2		56	911 564 425 00	threaded plate F 91HS1 00683>> F 91HS1 09588>> F 93HS0 00219>>		2	(J)
37	901 564 661 05	screw		2		57	911 564 165 00	terminal piece F 91HS1 00683>> F 91HS1 09588>> F 93HS0 00219>>		2	(J)
38	900 269 012 02	countersunk-head screw M 4 X 25		2		58	900 025 053 07	washer A 5,3 F 91HS1 00683>> F 91HS1 09588>> F 93HS0 00219>>		2	(J)
39	901 564 663 05	cap		1		59	900 146 106 07	oval-head screw M 5 X 12 F 91HS1 00683>> F 91HS1 09588>> F 93HS0 00219>>		2	(J)
40	901 564 085 05	crank		1							
41	911 564 643 00	washer		3							
42	901 564 299 05	clamp		7							
43	901 564 431 05	guide shoe		2							
44	911 564 045 00	guide		2		60	911 564 521 00	protection cap		2	
45	911 564 451 00	tab washer		2		61	964 564 241 00	slide		2	
46	911 564 459 00	screw AM 5 X 12		4					- - - E N D - - -		
47	900 025 003 02	washer A 5,3		4							
48	911 564 401 00	cap/protective strip		2							
49	911 564 433 00	support		4							

Model	Year	MG	SG	Illustration	Restrictions	Update	8:58	17.08.2004	PORSCHE	PET	PORSCHE
911	89	8	11	811-05		179					

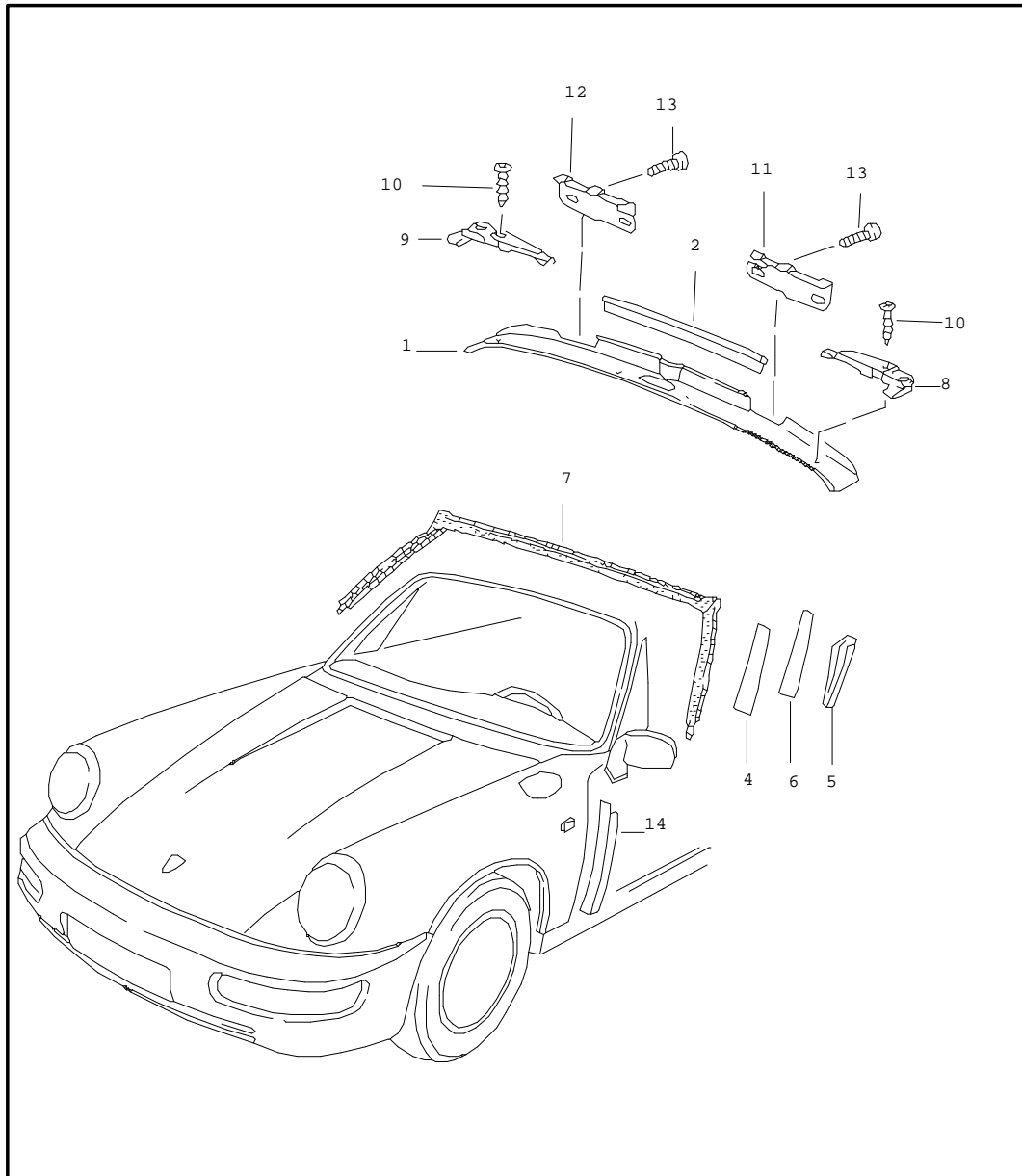


Pos	Part Number	Name	Remarks	Qty	Model
		soft top			TARGA
1	911 565 002 46	soft top		1	
2	901 565 035 41	outer lining		1	
3	901 565 036 43	inner lining		1	
4	A 911 565 031 63	catch	/L	1	
(4)	A 911 565 032 63	catch	/R	1	
4	911 565 031 64	catch	/R	1	
	70C	black			
(4)	911 565 032 64	catch	/R	1	
	70C	black			
5	N 014 740 2	pan-head screw M 6 X 16		6	
6	N 011 524 7	washer A 6,4		6	
7	911 565 707 01	shim		X	
(8)	A 911 565 075 61	handle	-88	2	
	70B	black			
(8)	911 565 075 62	handle		2	
	70B	black			
9	911 565 074 40	locating peg		2	
10	N 012 241 8	spring washer		2	
11	901 565 203 40	threaded plate		2	
12	964 565 265 00	latch		8	
13	911 565 263 00	clamp		4	
14	999 219 006 02	countersunk-head screw M 4 X 8		16	
15	901 565 303 45	rain channel	/L	1	
(15)	901 565 304 45	rain channel	/R	1	

Model	Year	MG	SG	Illustration	Restrictions	Update	8:58	17.08.2004	PORSCHE	PET	PORSCHE
911	89	8	11	811-05		179					

Pos	Part Number	Name	Remarks	Qty	Model	Pos	Part Number	Name	Remarks	Qty	Model
16	N 013 957 5	tapping screw B 3,5 X 9,5		18		31	901 565 273 45	cover	/H/L	1	
17	911 565 029 45	roof frame lateral	/L	1		(31)	901 565 274 45	cover	/H/R	1	
(18)	911 565 030 45	roof frame lateral	/R	1		32	N 013 953 2	tapping screw B 2,9 X 9,5		12	
(19)	911 565 207 46	roof frame front	/L	1		33	900 025 001 02	washer A 3,2		8	
20	911 565 208 46	roof frame front	/R	1		34	911 565 037 42	silentbloc	/L	1	
21	911 565 211 45	roof frame rear	/L	1		(34)	911 565 038 42	silentbloc	/R	1	
22	911 565 212 45	roof frame rear	/R	1		35	911 565 217 40	covering		2	
23	901 565 328 45	bolt	-88	2		36	N 014 765 2	pan-head screw M 6 X 10		6	
23	911 565 328 01	bolt	89-	2		37	N 012 226 5	spring washer B 6		6	
	01C	black				38	911 565 220 41	silentbloc		2	
24	911 565 328 45	bolt	-88	2		39	901 565 361 40	seal		2	
24	911 565 328 02	bolt	89-	2		40	900 025 002 02	washer A 4,3		10	
	01C	black				45	911 565 259 40	roof frame seal	/L	1	
25	901 565 209 40	bolt	-88	1		(45)	911 565 260 40	roof frame seal	/R	1	
25	911 565 328 00	bolt	89-	1		49	911 565 187 40	mounting locking bolt		1	
	01C	black				50	A N 013 957 5	tapping screw		4	
26	964 565 145 00	locking bolt		1		50	N 013 957 5	tapping screw B 3,5 X 9,5		4	
27	900 041 004 01	circlip		5		51	900 025 002 02	washer 4,3		14	
28	A 900 116 007 01	lock washer		1		54	911 565 189 41	cover plate		1	
28	N 012 439 2	lock washer		1		55	900 145 003 07	tapping screw B 3,5 X 9,5		1	
29	999 234 003 40	washer 10,5 X 16		5							
30	911 565 283 00	cover	/V/L	1							
(30)	911 565 284 00	cover	/V/R	1							
									- - - E N D - - -		

Model	Year	MG	SG	Illustration	Restrictions	Update	8:58	17.08.2004	PORSCHE	PET	PORSCHE
911	89	8	11	811-06		179					



Pos	Part Number	Name	Remarks	Qty	Model
		windscreen frame accessories			TARGA/CABRIO
1	911 555 059 61	lining		1	
	702	black			
2	911 561 499 00	pipng		1	
	70B	black			
(2)	911 799 565 25	pipng		1	TARGA
4	911 555 563 40	felt strip		2	
5	911 555 419 00	filler piece	/L	1	
(5)	911 555 420 00	filler piece	/R	1	
6	911 555 553 00	cover	/L	1	
	702	black			
(6)	911 555 554 00	cover	/R	1	
	702	black			
7	911 799 565 80	gasket		1	
8	911 555 519 42	guide rose	/L	1	TARGA
	70B	black			
(8)	911 555 519 60	guide rose	/L	1	CABRIO
	70B	black			
9	911 555 520 42	guide rose	/R	1	TARGA
(9)	911 555 520 60	guide rose	/R	1	CABRIO
	70B	black			
10	900 143 084 07	oval-head sheetmetal screw B 3,5 X 16		4	
11	911 561 729 03	guide	/L	1	
	F	>>91JS1 50370			CABRIO
	F	>>91JS1 59568			CABRIO (J)
	F	>>93JS0 20080			TURBO CABRIO

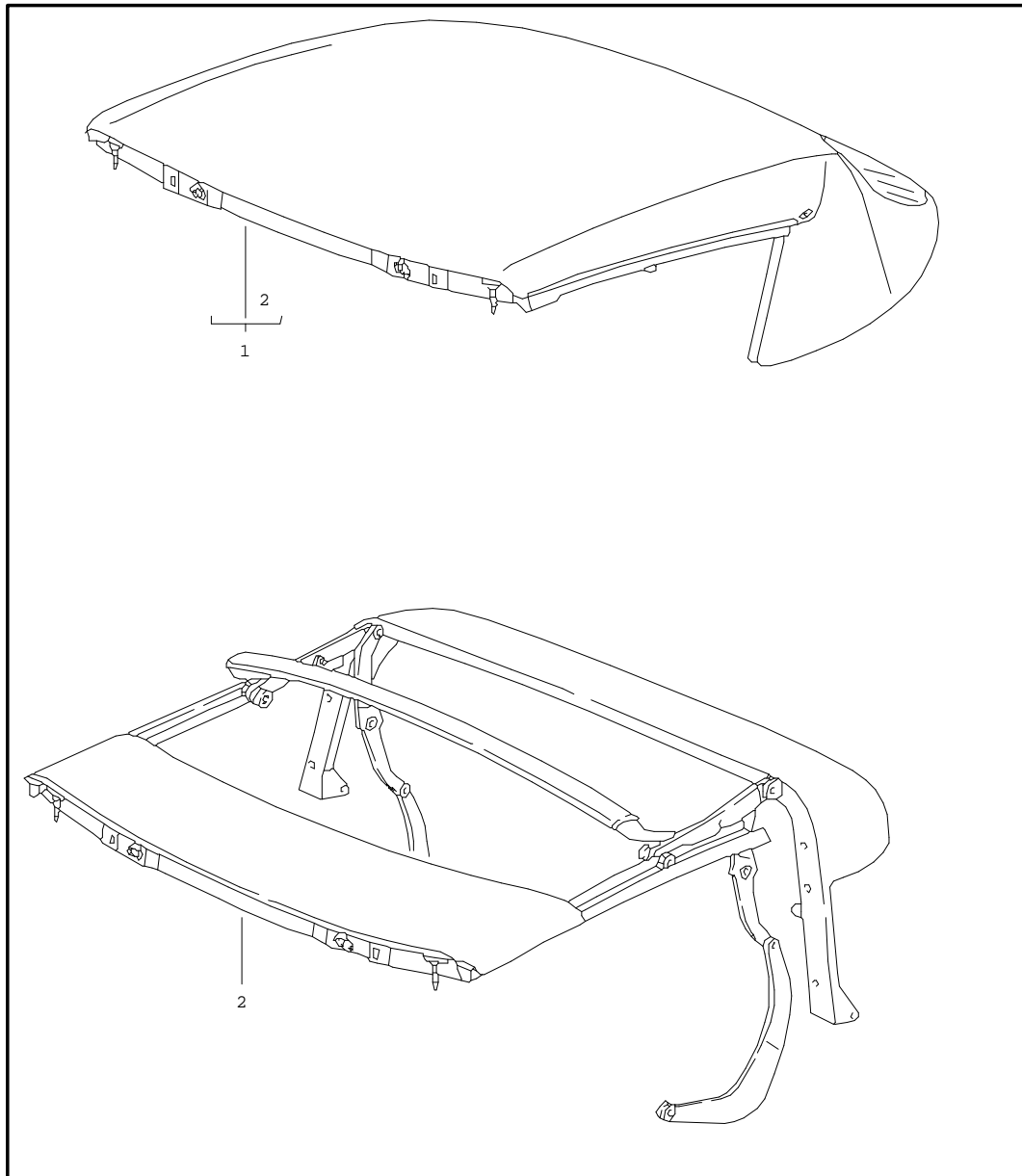
Model	Year	MG	SG	Illustration	Restrictions	Update	8:58	17.08.2004	PORSCHE	PET	PORSCHE
911	89	8	11	811-06		179					

Pos	Part Number	Name	Remarks	Qty	Model	Pos	Part Number	Name	Remarks	Qty	Model
11	911 561 729 03	guide F 91JS1 50371>> F 91JS1 59569>> F 93JS0 20081>>	/L	1	CABRIO CABRIO (J) TURBO CABRIO		7LD	burgundy			
	03C	black					5JX	greyish green	-88		
(11)	911 561 739 03	guide F >>91JS1 50370 F >>91JS1 59568 F >>93JS0 20080	/L	1	CABRIO M 439 CABRIO CABRIO (J) TURBO CABRIO		7VX	linen			
							1MC	plum red	-88		
(11)	911 561 739 03	guide F 91JS1 50371>> F 91JS1 59569>> F 93JS0 20081>>	/L	1	CABRIO M 439 CABRIO CABRIO (J) TURBO CABRIO		3VC	silver-grey	-88		
	03C	black					1VD	champagne	-88		
12	911 561 730 03	guide F >>91JS1 50370 F >>91JS1 59568 F >>93JS0 20080	/R	1	CABRIO CABRIO (J) TURBO CABRIO		8UT	cashmere beige	89		
12	911 561 730 03	guide F 91JS1 50371>> F 91JS1 59569>> F 93JS0 20081>>	/R	1	CABRIO CABRIO (J) TURBO CABRIO	(14)	7VT	silk grey	89		JUBI.
	03C	black					4MT	velvet red	89		
(12)	911 561 740 03	guide F >>91JS1 50370 F >>91JS1 59568 F >>93JS0 20080	/R	1	CABRIO M 439 CABRIO CABRIO (J) TURBO CABRIO		2WT	slate grey	89		
(12)	911 561 740 03	guide F 91JS1 50371>> F 91JS1 59569>> F 93JS0 20081>>	/R	1	CABRIO M 439 CABRIO CABRIO (J) TURBO CABRIO		4UC	caramel			
	03C	black					7KC	venetian blue			
13	999 119 013 07	pan-head screw M 6 X 12		4			8HF	blue metallic	88		
14	911 551 157 51	lining strap leather	/L	1			911 551 158 51	lining strap leather	/R	1	
	1AJ	black					1AJ	black			
	2LX	mahogany					2LX	mahogany			
	7JX	marine blue					7JX	marine blue			
							7LD	burgundy			
							5JX	greyish green	-88		
							7VX	linen			
							1MC	plum red	-88		
							3VC	silver-grey	-88		
							1VD	champagne	-88		
							8UT	cashmere beige	89		
							7VT	silk grey	89		
							4MT	velvet red	89		
							2WT	slate grey	89		

Model	Year	MG	SG	Illustration	Restrictions	Update	8:58	17.08.2004	PORSCHE	PET	PORSCHE
911	89	8	11	811-06		179					

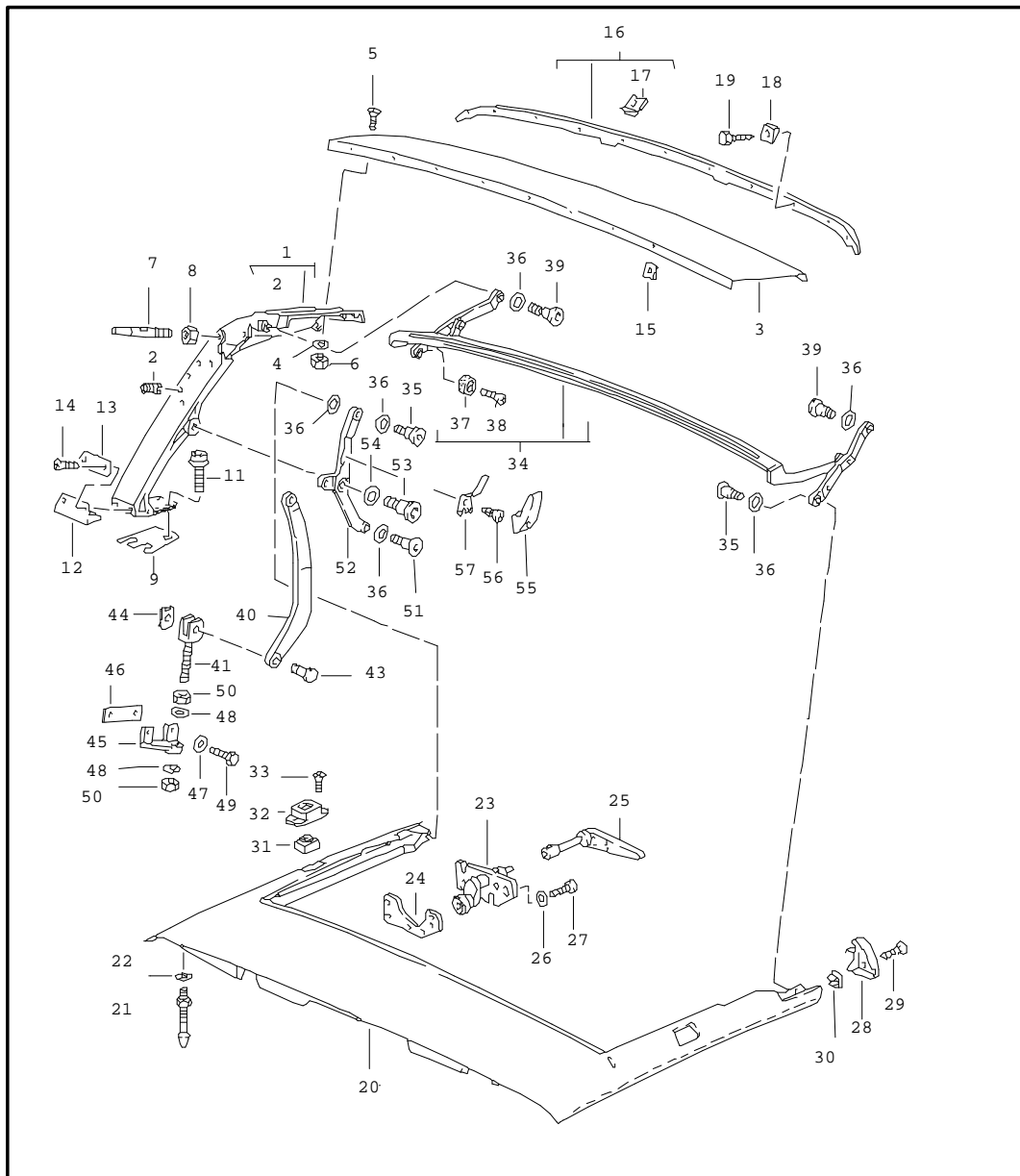
Pos	Part Number	Name	Remarks	Qty	Model	Pos	Part Number	Name	Remarks	Qty	Model
	4UC	caramel									
	7KC	venetian blue									
	8HF	blue metallic	88		JUBI.						
		- - - E N D - - -									

Model	Year	MG	SG	Illustration	Restrictions	Update	8:58	17.08.2004	PORSCHE	PET	PORSCHE
911	89	8	11	811-10		179					



Pos	Part Number	Name	Remarks	Qty	Model
		convertible top convertible top frame manually adjustable			CABRIO
1	911 561 005 05	convertible top		1	
	3AV	black			
	6HA	dark blue			
	7MH	mahogany			
	4JK	greyish green	-88		
	7MK	burgundy			
(2)	911 561 011 05	convertible top frame		1	
	70B	black			
		- - - E N D - - -			

Model	Year	MG	SG	Illustration	Restrictions	Update	8:58	17.08.2004	PORSCHE	PET	PORSCHE
911	89	8	11	811-12		179					



Pos	Part Number	Name	Remarks	Qty	Model
		main folding top bow roof frame single parts			CABRIO
(1)	911 561 927 00	main folding top bow	/L	1	
	70B	black			
1	911 561 928 00	main folding top bow	/R	1	
	70B	black			
2	999 504 069 02	threaded insert M 6		4	
3	911 561 215 00	bow plate		1	
4	900 025 003 02	washer A 5,3		10	
5	900 269 017 02	countersunk-head screw M 5 X 12		10	
6	900 910 007 02	lock nut M 5		10	
7	911 561 449 65	retaining pivot		2	
8	900 076 062 07	hexagon nut M 8		2	
9	911 561 423 00	plate 2 MM		X	
9	911 561 423 01	plate 1 MM		X	
(11)	900 067 271 09	screw M 8 X 20		6	
12	911 561 471 00	gasket		2	
13	911 561 475 00	plate		2	
14	900 269 056 07	countersunk-head screw M 4 X 10		4	
15	999 507 020 02	speed nut B 4,2		4	
16	911 561 035 00	rail		1	
17	999 507 018 02	speed nut B 4,2		11	

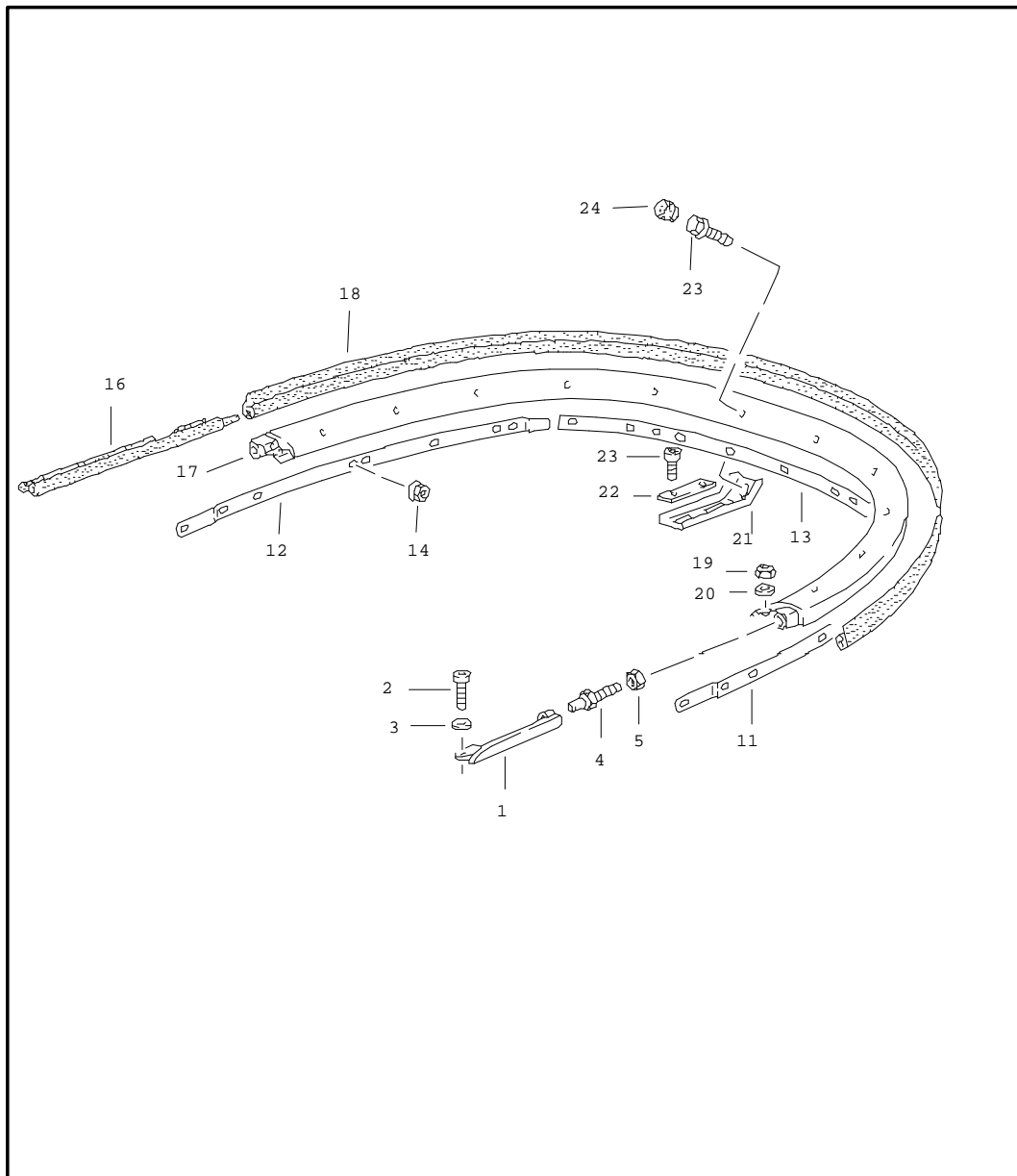
Model	Year	MG	SG	Illustration	Restrictions	Update	8:58	17.08.2004	PORSCHE	PET	PORSCHE
911	89	8	11	811-12		179					

Pos	Part Number	Name	Remarks	Qty	Model	Pos	Part Number	Name	Remarks	Qty	Model
18	911 561 527 00	wedge		11		32	911 561 451 00	housing		2	
19	900 187 014 02	hexagon-head tapping screw BZ 4,2 X 16		11			70B	black			
20	911 561 027 01	roof frame		1		33	900 269 043 02	countersunk-head screw M 4 X 12		4	
	700	black				34	911 561 019 65	intermed. folding top bow		1	
21	911 565 214 60	locating peg		2			70B	black			
22	900 025 007 02	washer A 8,4 X 16 X 1,6		2		35	911 561 461 00	screw M 8 X 20		4	
(23) A	911 565 031 63	catch	/L -88	1		36	911 561 428 00	washer 10,5		16	
23 A	911 565 032 63	catch	/R -88	1		37	911 561 402 00	eccentric washer		2	
(23)	911 565 031 64	catch	/R	1		38	N 033 185 1	countersunk-head screw M 4 X 16		2	
	70C	black				39	911 561 421 00	screw micro-self-locking M 8 X 24		2	
23	911 565 032 64	catch	/R	1		(40)	911 561 157 00	lever	/L	1	
	70C	black					70B	black			
24	911 561 547 01	threaded plate		1		40	911 561 158 00	lever	/R	1	
25 A	911 565 075 61	handle	-88	2			70B	black			
	70B	black				(25)	911 565 075 62	handle		2	
	70B	black					70B	black			
26	N 015 404 1	washer A 6,4		8		41	911 561 595 65	joint fork		2	
27	N 014 740 2	pan-head screw M 6 X 16		8		43	911 561 761 65	bolt		2	
28	911 561 139 65	end piece	/L	1		44	999 166 034 02	sl-lock 8		2	
(28)	911 561 140 65	end piece	/R	1		45	911 561 431 65	bearing bracket		2	
29	N 014 086 12	tapping screw 3,5 X 13		2		46	911 561 585 65	threaded plate		2	
30	999 591 762 40	special nut B 3,5		2		47	900 025 007 02	washer A 8,4		4	
31	911 561 453 00	buffer		2		48	900 025 008 09	washer A 10,5		4	
						49	900 075 087 02	hexagon-head bolt M 8 X 16		4	

Model	Year	MG	SG	Illustration	Restrictions	Update	8:58	17.08.2004	PORSCHE	PET	PORSCHE
911	89	8	11	811-12		179					

Pos	Part Number	Name	Remarks	Qty	Model	Pos	Part Number	Name	Remarks	Qty	Model
50	N 011 010 13	hexagon nut M 10		4							
51	911 561 418 00	screw M 8 X 20		2							
(52)	911 561 119 00	lever	/L	1							
	70B	black									
(52)	911 561 120 00	lever	/R	1							
	70B	black									
(52)	911 561 119 65	lever	/L	1	M 439						
	70B	black									
52	911 561 120 65	lever	/R	1	M 439						
	70B	black									
53	911 561 420 00	screw micro-self-locking M 10 X 28		2							
54	911 561 430 00	washer 13,5		2							
55	901 552 871 40	cover		2							
56	900 250 006 02	tapping screw AM 5 X 10		2							
57	901 552 872 20	coat hook		2							
		- - - E N D - - -									

Model	Year	MG	SG	Illustration	Restrictions	Update	8:59	17.08.2004	PORSCHE	PET	PORSCHE
911	89	8	11	811-13		179					

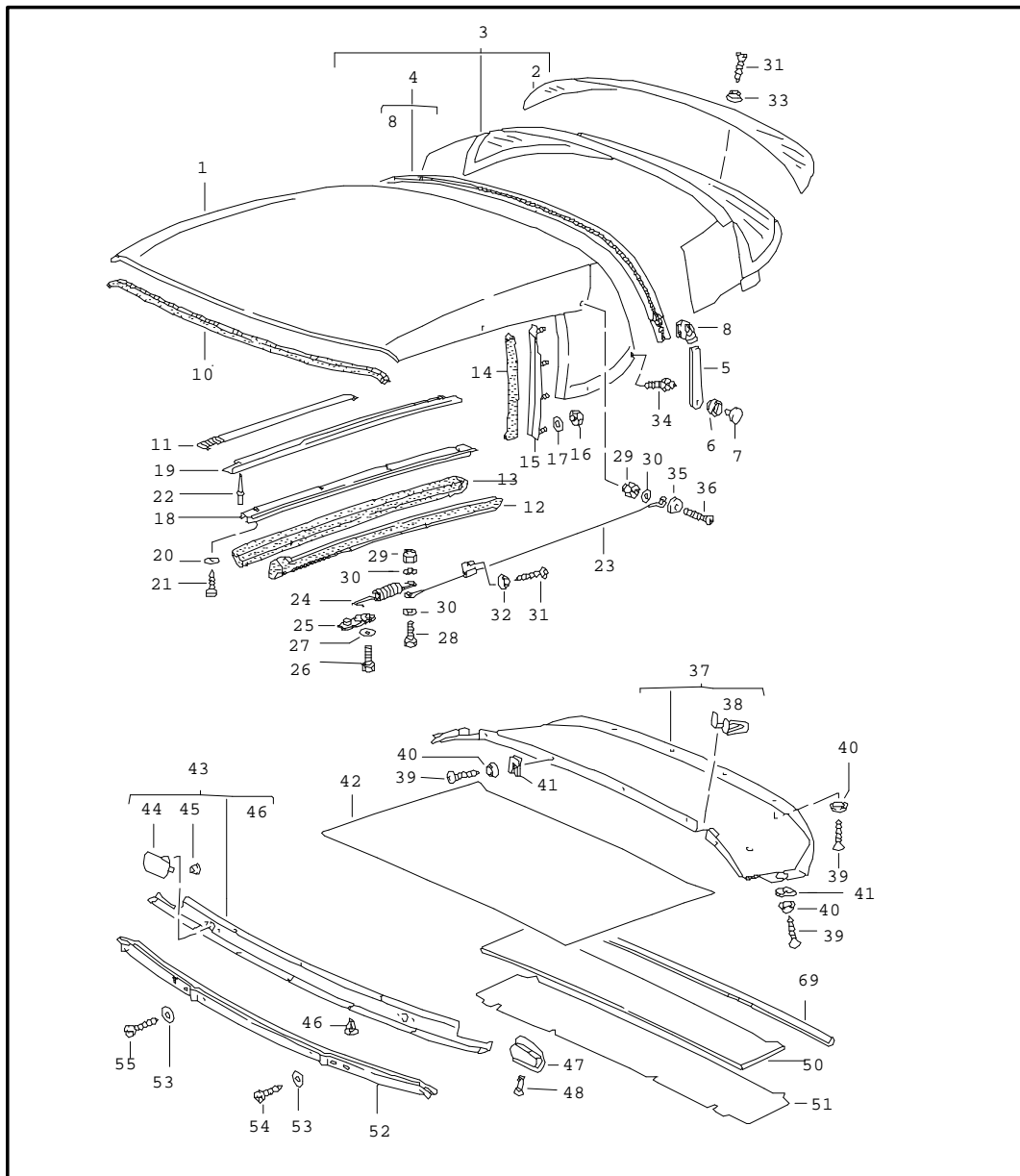


Pos	Part Number	Name	Remarks	Qty	Model
		convertible top clamp single parts			CABRIO
1	911 561 341 01	tensioner blade	/L	1	
(1)	911 561 342 01	tensioner blade	/R	1	
2	N 014 765 2	pan-head screw M 6 X 10		2	
3	N 011 524 7	washer A 6,4		2	
4	911 561 331 00	locating peg		2	
5	900 076 062 07	hexagon nut M 8		2	
11	911 561 283 00	rail	/L	1	
12	911 561 284 00	rail	/R	1	
13	911 561 281 00	rail centre		1	
14	900 377 009 02	hexagon nut M 5		18	
(16)	911 561 463 00	gasket	/L	1	
16	911 561 464 00	gasket	/R	1	
17 A	911 561 083 01	clamp	-88	1	
17	911 561 083 01	clamp		1	
	700	black			
18	911 561 371 00	sealing rubber		1	
19	900 076 010 02	hexagon nut M 6		2	
20	N 011 524 7	washer A 6,4		2	
21	911 561 379 00	support		3	
21	911 561 379 00	support		2	TURBO
(21)	911 561 379 01	support		1	TURBO
22	911 561 387 00	desk pad		3	

Model	Year	MG	SG	Illustration	Restrictions	Update	8:59	17.08.2004	PORSCHE	PET	PORSCHE
911	89	8	11	811-13		179					

Pos	Part Number	Name	Remarks	Qty	Model	Pos	Part Number	Name	Remarks	Qty	Model
23	900 075 357 02	screw M 6 X 12		3							
24	999 703 169 40	cap		3							
- - - E N D - - -											

Model	Year	MG	SG	Illustration	Restrictions	Update	8:59	17.08.2004	PORSCHE	PET	PORSCHE
911	89	8	11	811-15		179					



Pos	Part Number	Name	Remarks	Qty	Model
1	911 561 051 01	convertible top covering seal single parts		1	CABRIO
	3AV	black			
	6HA	dark blue			
	7MH	mahogany			
	4JK	greyish green	-88		
	7MK	burgundy			
	8XK	pearl grey	89		M 097
2	911 561 359 65	rear window		1	
3	911 561 053 65	rear window with cover	/H	1	
	3AV	black			
	6HA	dark blue			
	7MH	mahogany			
	4JK	greyish green	-88		
	7MK	burgundy			
	8XK	pearl grey	89		M 097
4	911 561 405 02	zip		1	
	3AV	black			
5	911 561 523 02	loop		1	
	1AJ	black			
6	999 591 836 17	push button		1	
7	999 591 838 17	cap		1	
8	000 043 022 00	zip repair kit		X	
	3AV	black			

Model	Year	MG	SG	Illustration	Restrictions	Update	8:59	17.08.2004	PORSCHE	PET	PORSCHE
911	89	8	11	811-15		179					

Pos	Part Number	Name	Remarks	Qty	Model	Pos	Part Number	Name	Remarks	Qty	Model
10	911 561 244 01	roof frame seal		1		18	911 561 793 00	rail	/L	1	
11	911 561 153 65	restraining strap		2		(18)	911 561 794 00	rail	/R	1	
12	A 911 561 189 65	roof frame seal	/L	1		19	911 561 301 00	rain channel	/L	1	
(12)	A 911 561 190 65	roof frame seal outer	/R	1			70K	black			
12	911 561 189 66	roof frame seal	/L	1		(19)	911 561 302 00	rain channel	/R	1	
	8VB	black outer					70K	black			
(12)	911 561 190 66	roof frame seal	/R	1		20	900 151 028 02	washer B 4,3		8	
	8VB	black outer				21	N 013 957 5	tapping screw B 3,5 X 9,5		8	
13	911 561 187 00	roof frame seal	/L	1		22	999 190 162 37	blind rivet B 3,2 X 12,6		12	
(13)	911 561 188 00	roof frame seal inner	/R	1		23	911 561 239 00	tension rope	/L	1	
14	911 561 681 00	gasket	/L	1		(23)	911 561 240 00	tension rope	/R	1	
(14)	911 561 682 00	gasket	/R	1		24	911 561 403 01	tension spring		2	
15	911 561 025 04	rail F >>91HS1 59577 F >>91HS1 50774	/L	1	(J)	25	911 561 407 00	support		2	
(15)	911 561 026 04	rail F >>91HS1 59577 F >>91HS1 50774	/R	1	(J)	26	N 010 211 4	hexagon-head bolt M 6 X 12		2	
15	911 561 025 04	rail F 91HS1 59578>> F 91HS1 50775>>	/L	1	(J)	27	N 011 524 7	washer A 6,4		4	
	70B	black				28	900 075 100 02	hexagon-head bolt M 4 X 12		2	
(15)	911 561 026 04	rail F 91HS1 59578>> F 91HS1 50775>>	/R	1	(J)	29	900 910 006 02	lock nut M 4		4	
	70B	black				30	900 025 002 02	washer A 4,3		4	
16	900 076 063 07	hexagon nut M 5		8		31	900 144 028 07	tapping screw B 3,5 X 13		4	
17	900 151 038 07	washer A 5,3		8		32	999 591 102 17	washer \$=3,5		2	
						33	999 591 835 17	snap fastener lower part		2	
						34	999 591 598 02	tenax lower part B 4,2 X 16		2	

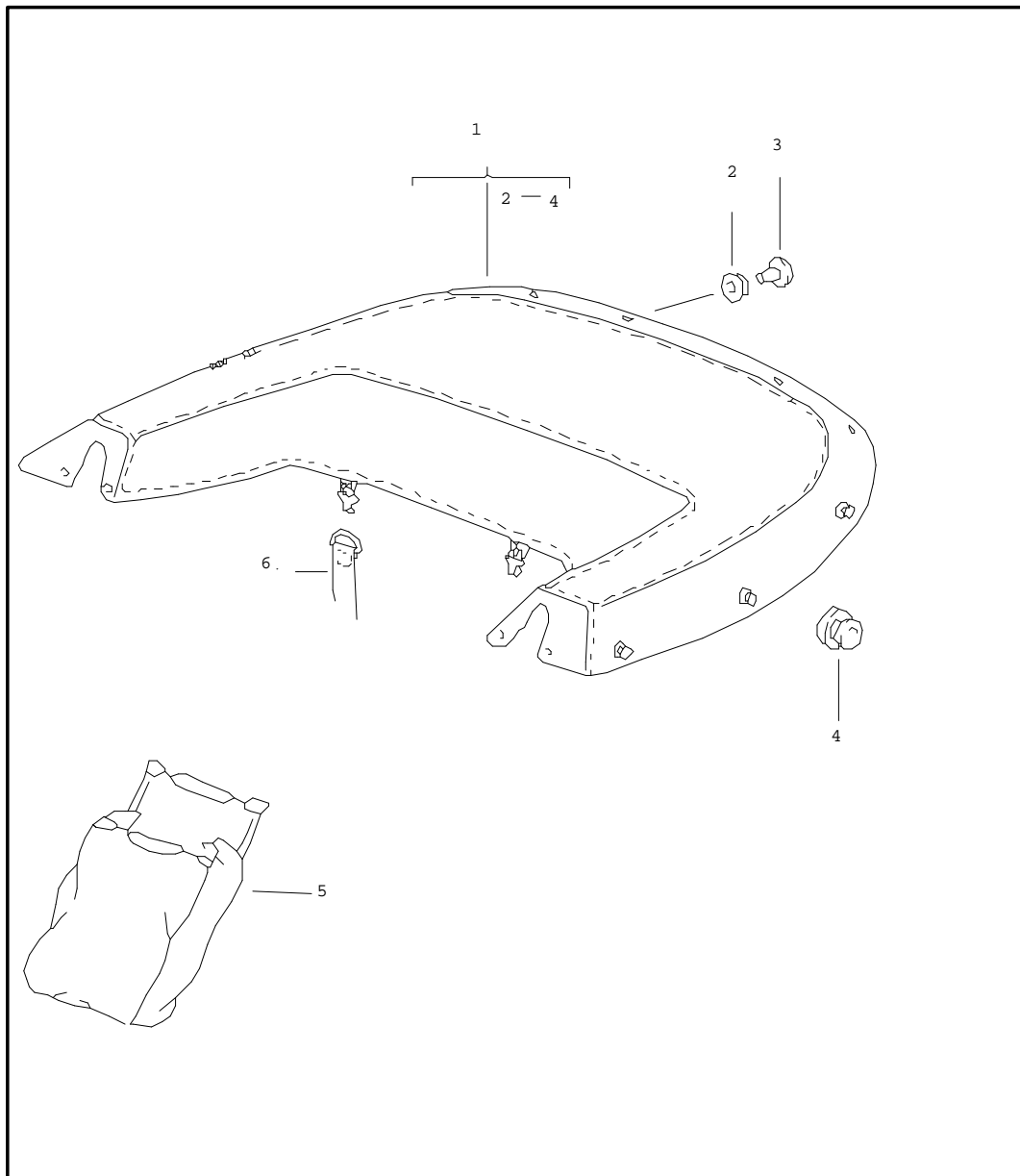
Model	Year	MG	SG	Illustration	Restrictions	Update	8:59	17.08.2004	PORSCHE	PET	PORSCHE
911	89	8	11	811-15		179					

Pos	Part Number	Name	Remarks	Qty	Model	Pos	Part Number	Name	Remarks	Qty	Model
34	999 591 597 02	tenax lower part B 4,2 X 10		6		(43) A	911 565 093 65	padded cover	-88	1	M 439/TURBO
35	911 561 455 01	end piece	/L	1			700	black			
	70B	black				43	911 565 093 66	padded cover		1	M 439/TURBO
(35)	911 561 456 01	end piece	/R	1			700	black			
	70B	black				(44)	911 565 279 61	rose	/L	1	
36	N 033 203 2	countersunk-head screw M 4 X 20		2			70B	black			
37	911 561 059 62	lining		1		44	911 565 280 61	rose	/R	1	
	700	black main folding top bow					70B	black			
(37)	911 561 059 66	lining		1	M 439	(44)	911 561 781 65	rose for emergency control		2	M 439
	700	black main folding top bow				45	999 591 676 02	clamping washer \$=7,0		4	
38	911 561 597 00	rose	/L	1		46	823 867 299	clip		8	
	70B	black				47	911 565 271 65	handle	/L	1	
(38)	911 561 598 00	rose	/R	1			70B	black			
	70B	black				(47)	911 565 272 65	handle	/R	1	
(38)	911 561 598 66	rose	/R	1	M 439		70B	black			
	70B	black				48	999 591 587 40	expansion rivet		2	
39	900 145 096 07	tapping screw 4,2 X 16		12		49 A	911 555 593 61	edge protection		1	
40	999 591 116 07	cone washer		12		49	911 555 593 61	edge protection		1	
41	999 507 020 02	speed nut B 4,2		4		50	911 565 299 60	moltoprene shim		2	
42	911 561 050 00	roof lining		1		51	911 565 297 60	cover roof frame		1	
43 A	911 565 093 61	padded cover	-88	1		(52) A	911 561 295 01	cover	-88	1	
	700	black					700	black			
(43)	911 565 093 62	padded cover		1		(52)	911 561 295 02	cover		1	
	700	black					700	black			
						(52) A	911 561 295 00	cover	-88	1	M 439/TURBO
							700	black			

Model	Year	MG	SG	Illustration	Restrictions	Update	8:59	17.08.2004	PORSCHE	PET	PORSCHE
911	89	8	11	811-15		179					

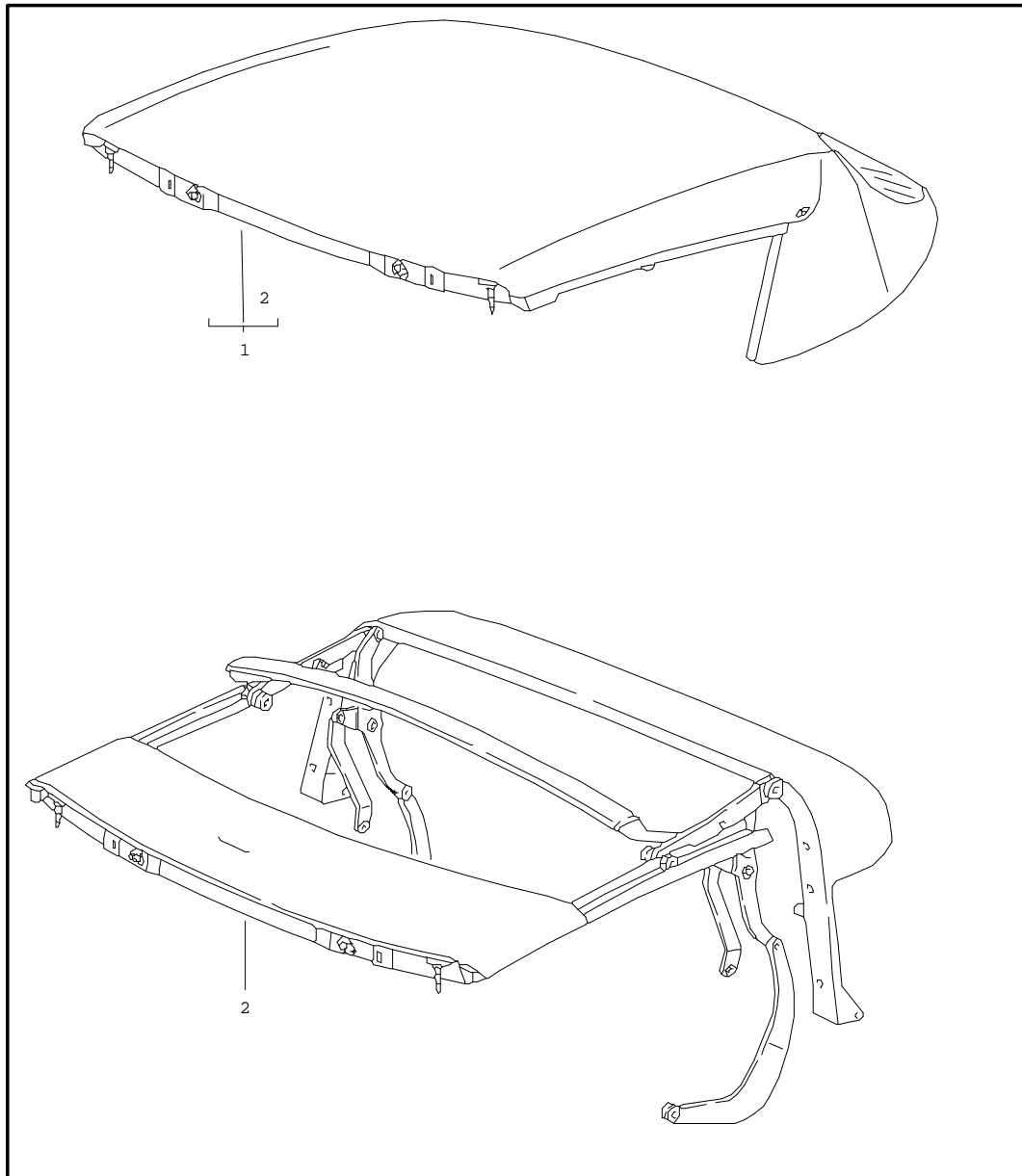
Pos	Part Number	Name	Remarks	Qty	Model	Pos	Part Number	Name	Remarks	Qty	Model
52	911 561 295 03	cover		1	M 439/TURBO						
	700	black									
53	900 025 013 07	washer A 3,7		7							
54	900 143 133 07	tapping screw BZ 3,5 X 6,5		5							
55	900 143 124 07	tapping screw BZ 3,5 X 13		2							
		- - - E N D - - -									

Model	Year	MG	SG	Illustration	Restrictions	Update	8:59	17.08.2004	PORSCHE	PET	PORSCHE
911	89	8	11	811-16		179					



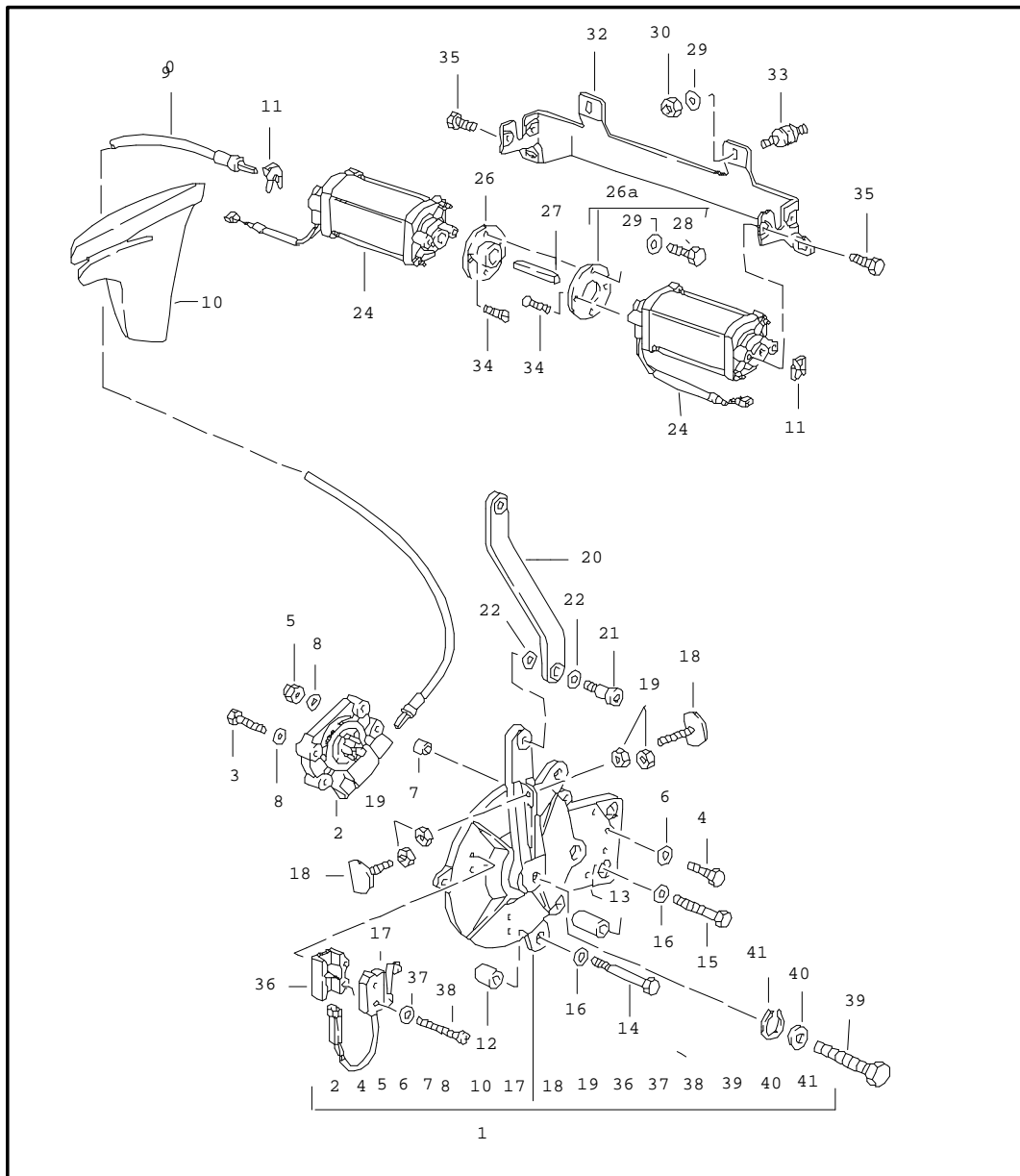
Pos	Part Number	Name	Remarks	Qty	Model
		convertible top cover			CABRIO
1	911 561 023 60	convertible top cover		1	
	3AV	black			
	6HA	dark blue			
	7MH	mahogany			
	4JK	greyish green	-88		
	7MK	burgundy			
2	999 591 836 17	push button		6	
3	999 591 838 17	cap		6	
4	999 591 983 12	tenax upper part		6	
5	911 561 087 00	bag for convertible top cover		1	
6	911 561 493 00	leather loop		2	
		- - - E N D - - -			

Model	Year	MG	SG	Illustration	Restrictions	Update	8:59	17.08.2004	PORSCHE	PET	PORSCHE
911	89	8	11	811-20		179					



Pos	Part Number	Name	Remarks	Qty	Model
		convertible top convertible top frame electrically adjustable			CABRIO M 439
1	911 561 005 65	folding top complete		1	
	3AV	black			
	6HA	dark blue			
	7MH	mahogany			
	4JK	greyish green	-88		
	7MK	burgundy			
	8XK	pearl grey	89		M 097
2	911 561 011 65	convertible top frame		1	
	70B	black complete			
		- - - E N D - - -			

Model	Year	MG	SG	Illustration	Restrictions	Update	8:59	17.08.2004	PORSCHE	PET	PORSCHE
911	89	8	11	811-21		179					

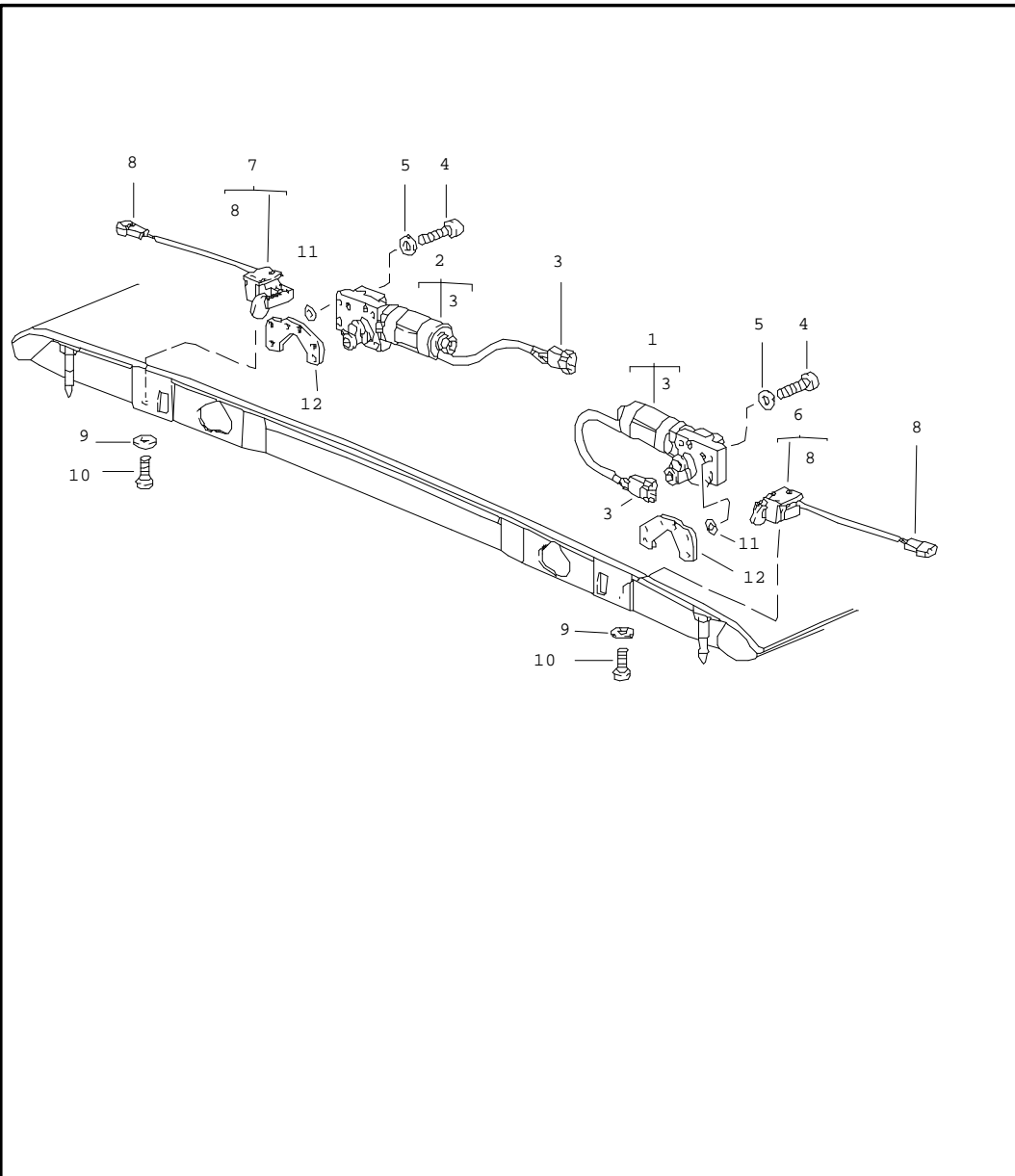


Pos	Part Number	Name	Remarks	Qty	Model
		convertible top driving mechanism			CABRIO M 439
(1)	911 561 045 66	transmission	/L	1	
	70B	black			
1	911 561 046 66	transmission	/R	1	
	70B	black			
(2)	911 561 103 65	planetary transmission	/L	1	
(2)	911 561 104 65	planetary transmission	/R	1	
3	N 010 262 2	hexagon-head bolt M 4 X 20		2	
4	N 010 301 1	hexagon-head bolt M 4 X 35		2	
5	900 910 004 02	lock nut M 4		2	
6	900 025 002 02	washer A 4,3		2	
7	911 561 629 65	spacer		2	
8	911 561 518 00	spacer		4	
(9)	993 561 921 03	shaft	/L	1	
9	993 561 922 03	shaft	/R	1	
(10)	911 561 655 65	filler piece	/L	1	
10	911 561 656 65	filler piece for shaft	/R	1	
11	911 561 643 65	spring clamp		2	
12	911 561 746 65	bush		4	
13	911 561 745 65	bush		2	
14	N 010 347 5	hexagon-head bolt M 6 X 35		4	
15	N 040 303 1	hexagon-head bolt M 6 X 50		2	

Model	Year	MG	SG	Illustration	Restrictions	Update	8:59	17.08.2004	PORSCHE	PET	PORSCHE
911	89	8	11	811-21		179					

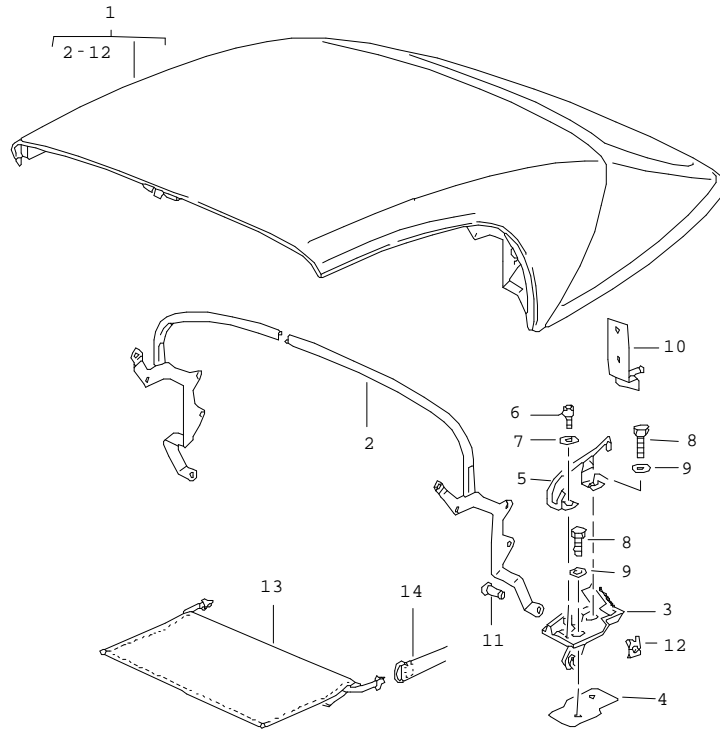
Pos	Part Number	Name	Remarks	Qty	Model	Pos	Part Number	Name	Remarks	Qty	Model
16	900 151 003 02	washer A 6,4		6		37	900 025 001 02	washer A 3,2		4	
17	911 613 071 00	microswitch	/R	2		38	900 146 072 02	oval-head screw M 3 X 25		4	
18	911 561 645 00	adjusting screw	/R	2		39	911 561 756 66	screw for emergency operation		2	
19	N 011 002 2	hexagon nut M 3	/R	4		40	N 011 524 7	washer A 6,4		2	
20	911 561 169 65	push rod	/L	1		41	N 012 406 2	circlip 6 X 0,7		2	
	70B	black									
(20)	911 561 170 65	push rod	/R	1							
	70B	black									
21	911 561 418 00	screw M 8 X 20		4							
22	911 561 428 00	washer 10,5		8							
24	911 624 117 00	electric motor		2							
26	911 624 269 01	washer \$=50		1							
26A	911 624 171 01	washer		1							
27	911 624 273 00	connecting piece		1							
28	N 010 205 6	hexagon-head bolt M 5 X 10		4							
29	900 025 003 02	washer A 5,3		4							
30	N 011 005 14	hexagon nut M 5		4							
32	911 561 185 65	clip		2							
33	999 703 308 00	bonded rubber mounting		4							
34	999 919 045 02	countersunk-head screw M 5 X 16		4							
35	999 919 046 02	hexagon-head bolt M 5 X 16		4							
36	911 613 413 00	support		2							
								- - - E N D - - -			

Model	Year	MG	SG	Illustration	Restrictions	Update	8:59	17.08.2004	PORSCHE	PET	PORSCHE
911	89	8	11	811-22		179					



Pos	Part Number	Name	Remarks	Qty	Model
		convertible top catch electrically adjustable			CABRIO M 439
1	911 624 055 02	electric motor	/L	1	
2	911 624 056 02	electric motor	/R	1	
3	171 971 998 C	connector housing		2	
4	N 014 743 2	pan-head screw M 6 X 30		8	
5	N 011 524 7	washer A 6,4		8	
6	911 613 015 00	microswitch	/L	1	
7	911 613 016 00	microswitch	/R	1	
8	171 971 998 A	connector housing		2	
9	900 151 028 02	washer B 4,3		4	
10	900 146 011 02	oval-head screw M 4 X 10		4	
11	N 027 401 1	shim 6 X 12 X 1,0		8	
12	911 561 547 01	threaded plate		2	
		- - - E N D - - -			

Model	Year	MG	SG	Illustration	Restrictions	Update	9:00	17.08.2004	PORSCHE	PET	PORSCHE
911	89	8	11	811-30		179					

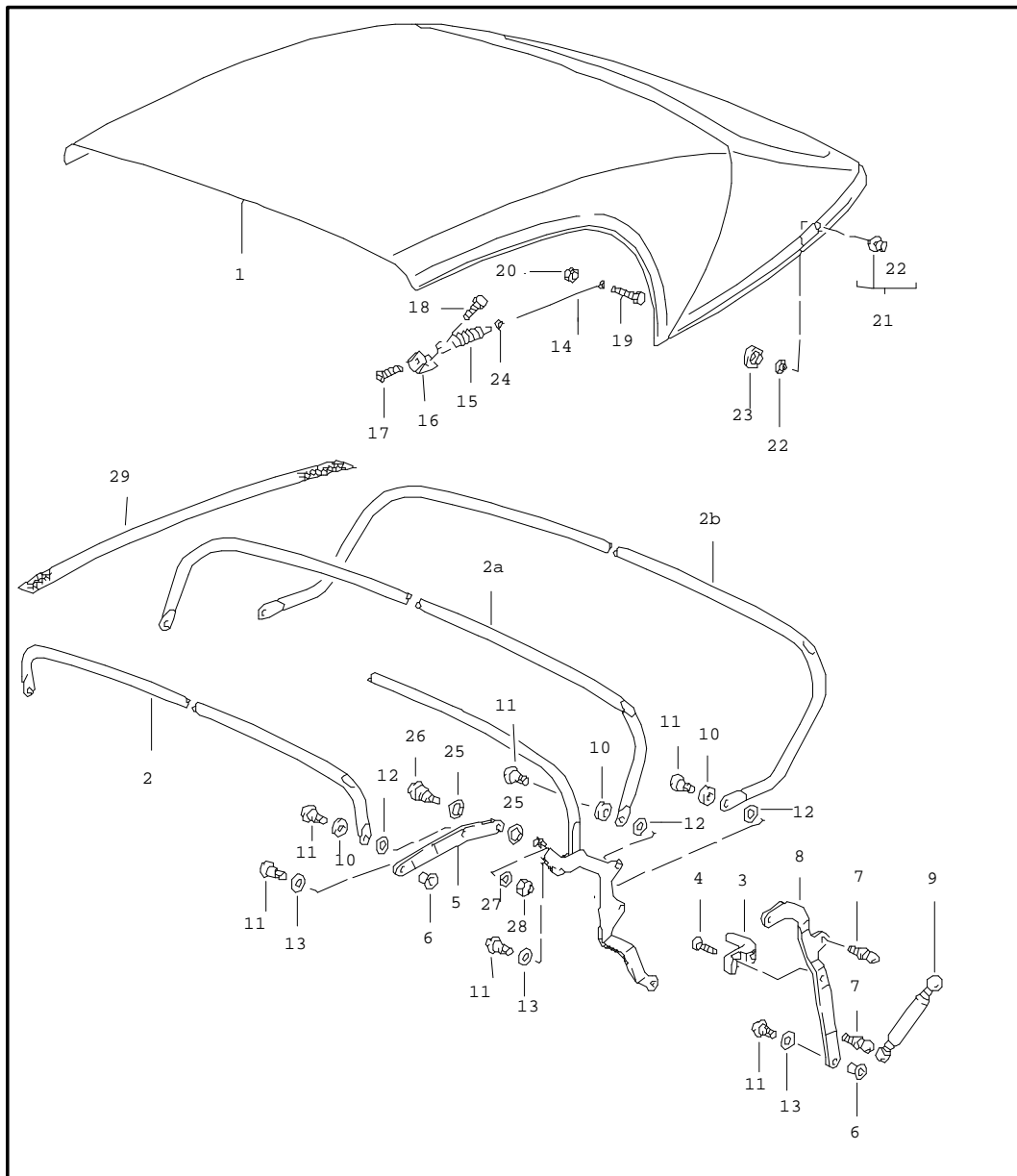


Pos	Part Number	Name	Remarks	Qty	Model
		emergency folding top complete main folding top bow single parts	89		SPEEDSTER
1	911 563 005 00	emergency folding top ready for installation		1	
	2XW	black			
	3WW	mahogany			
	7JW	dark blue			
	9LW	burgundy			
2	911 563 071 00	main folding top bow		1	
	70K	black			
3	911 563 343 00	bearing	/L	1	
(3)	911 563 344 00	bearing	/R	1	
4	911 563 453 00	desk pad		4	
(5)	911 563 567 01	clip	/L	1	
(5)	911 563 568 01	clip	/R	1	
6	900 067 006 07	pan-head screw M 6 X 10		2	
7	900 025 004 07	washer A 6,4		2	
8	900 067 057 02	pan-head screw M 8 X 20		4	
9	900 151 008 02	washer B 8,4		4	
10	911 563 413 00	support	/L	1	
(10)	911 563 414 00	support with locating peg	/R	1	
11	999 088 017 02	bolt 11 X 19,5		2	
12	999 166 044 01	sl-lock 8		2	

Model	Year	MG	SG	Illustration	Restrictions	Update	9:00	17.08.2004	PORSCHE	PET	PORSCHE
911	89	8	11	811-30		179					

Pos	Part Number	Name	Remarks	Qty	Model	Pos	Part Number	Name	Remarks	Qty	Model
13	911 563 755 00	protective cloth		1							
	2FX	black									
14	911 561 493 00	leather loop		2							
		- - - E N D - - -									

Model	Year	MG	SG	Illustration	Restrictions	Update	9:00	17.08.2004	PORSCHE	PET	PORSCHE
911	89	8	11	811-31		179					

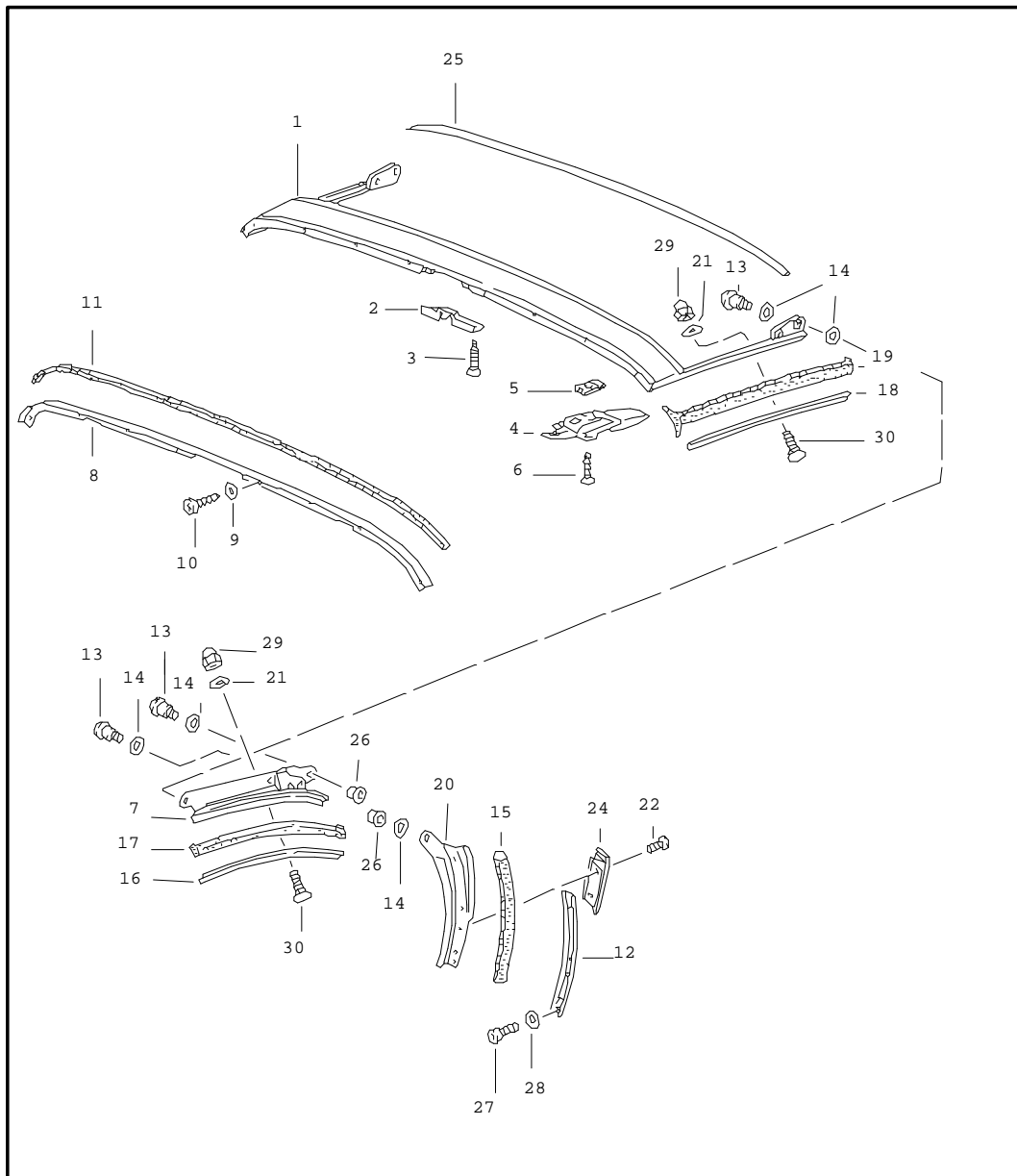


Pos	Part Number	Name	Remarks	Qty	Model
		convertible top covering convertible top frame single parts	89		SPEDSTER
1	911 563 051 00	convertible top covering with rear window		1	
	2XW	black			
	3WW	mahogany			
	7JW	dark blue			
	9LW	burgundy			
2	911 563 181 00	bow		1	
	70K	black			
2A	911 563 115 00	bow		1	
	70K	black			
2B	911 563 333 00	bow		1	
	70K	black			
3	911 563 733 00	stop		1	
	01C	black			
4	900 249 001 07	countersunk-head screw M 6 X 15		1	
5	911 563 179 00	lever	/L	1	
	70K	black			
(5)	911 563 180 00	lever	/R	1	
	70K	black			
6	999 209 027 40	bush 10 X 11,5 X 7		4	
7	999 167 043 09	ball pin A 10		4	
8	911 563 173 00	lever	/H/L	1	
	70K	black			
(8)	911 563 174 00	lever	/H/R	1	

Model	Year	MG	SG	Illustration	Restrictions	Update	9:00	17.08.2004	PORSCHE	PET	PORSCHE
911	89	8	11	811-31		179					

Pos	Part Number	Name	Remarks	Qty	Model	Pos	Part Number	Name	Remarks	Qty	Model
	70K	black				29	A 000 043 204 84	restraining strap		X	
9	911 563 195 00	connecting rod		2		29	000 043 204 84	restraining strap 25 X 1		X	
10	999 025 210 40	washer 10,5 X 18 X 4		6				- - - E N D - - -			
11	999 218 052 07	screw M 8 X 9,2 micro-self-locking		12							
12	911 561 428 00	washer 10,5		6							
13	999 025 217 40	washer 10,5 X 18 X 2		6							
14	911 563 105 00	tension rope		2							
15	911 561 403 02	tension spring		2							
16	911 563 397 00	angle		2							
17	900 249 035 02	countersunk-head screw M 5 X 10		2							
18	N 010 225 4	hexagon-head bolt M 5 X 8		2							
19	900 075 408 07	hexagon-head bolt M 4 X 16		2							
20	900 076 061 07	hexagon nut M 4		2							
21	999 591 983 12	tenax upper part		10							
22	999 591 982 17	washer		10							
23	911 563 625 00	rubber base		10							
24	999 591 966 12	eye 4,5		1							
25	911 561 430 00	washer		4							
26	999 218 055 07	screw M 6 X 28		2							
27	N 011 524 7	washer A 6,4		2							
28	900 910 012 02	lock nut M 6		2							

Model	Year	MG	SG	Illustration	Restrictions	Update	9:00	17.08.2004	PORSCHE	PET	PORSCHE
911	89	8	11	811-32		179					

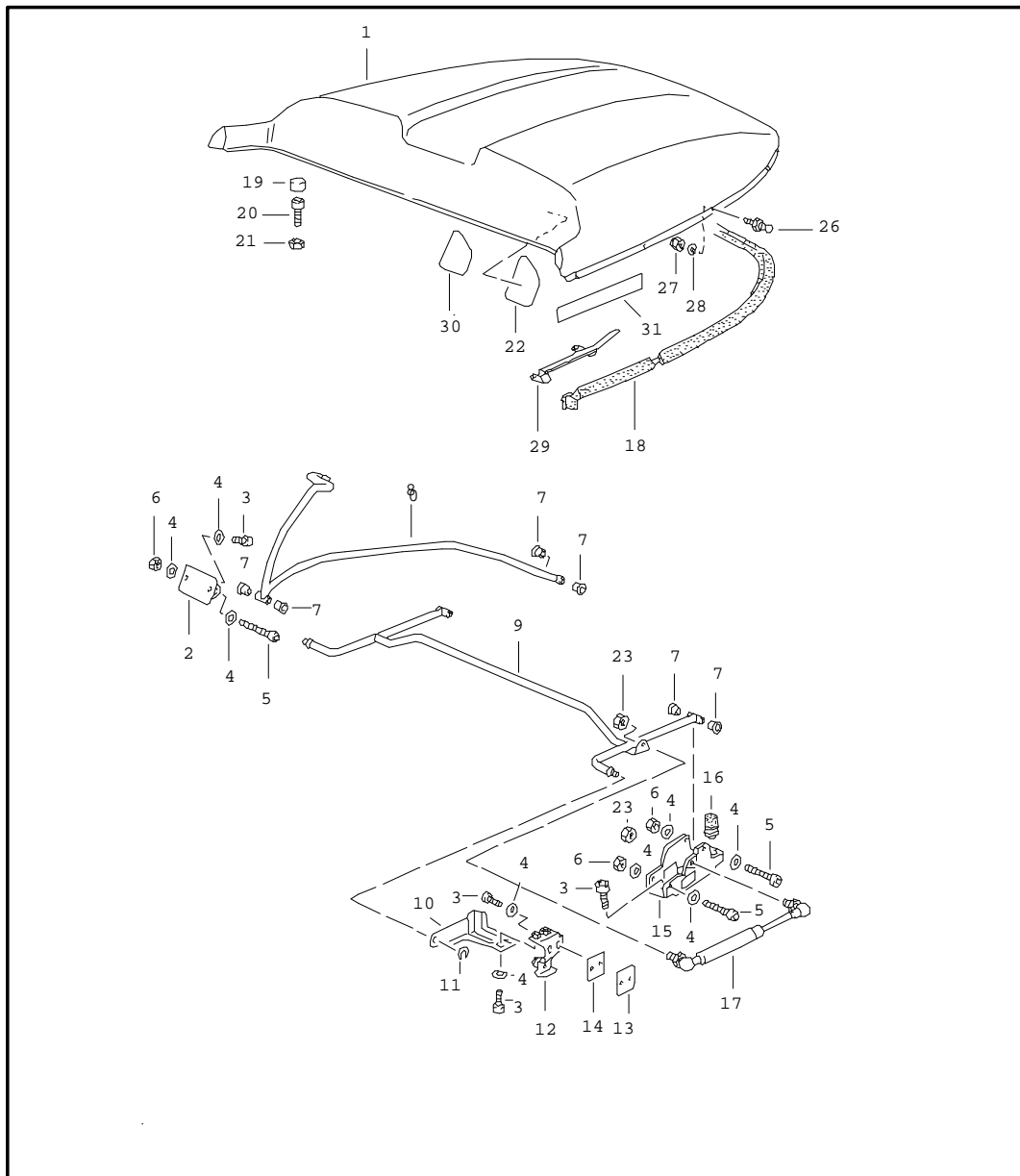


Pos	Part Number	Name	Remarks	Qty	Model
		emergency folding top seal	89		SPEEDSTER
		roof frame			
1	911 563 027 00	roof frame	/V	1	
2	911 563 633 00	handle		1	
	01C	black			
3	900 270 063 07	countersunk-head screw M 5 X 10		2	
4	911 563 081 00	catch		2	
5	999 507 023 02	speed nut B 4,8		6	
6	N 014 098 6	tapping screw B 4,8 X 16		6	
7	911 563 089 00	roof frame	/L	1	
	70K	black centre			
(7)	911 563 090 00	roof frame	/R	1	
	70K	black centre			
8	911 563 735 00	rail	/V	1	
9	900 025 013 07	washer A 3,7		8	
10	N 013 958 14	tapping screw B 3,5 X 13		8	
11	911 563 505 00	gasket	/V	1	
12	911 563 521 00	reinforcement strip	/H/L	1	
(12)	911 563 522 00	reinforcement strip	/H/R	1	
13	999 218 052 07	screw M 8 X 9,2		6	
14	999 025 217 40	washer 10,5 X 18 X 2		10	
15	911 563 245 00	gasket	/H/L	1	
(15)	911 563 246 00	gasket	/H/R	1	

Model	Year	MG	SG	Illustration	Restrictions	Update	9:00	17.08.2004	PORSCHE	PET	PORSCHE
911	89	8	11	811-32		179					

Pos	Part Number	Name	Remarks	Qty	Model	Pos	Part Number	Name	Remarks	Qty	Model
16	911 563 517 00	reinforcement strip	/L	1				- - - E N D - - -			
(16)	911 563 518 00	reinforcement strip centre	/R	1							
17	911 563 235 00	gasket	/L	1							
(17)	911 563 236 00	gasket centre	/R	1							
18	911 563 513 00	reinforcement strip	/V/L	1							
(18)	911 563 514 00	reinforcement strip	/V/R	1							
19	911 563 233 00	gasket	/V/L	1							
(19)	911 563 234 00	gasket	/V/R	1							
20	911 563 141 00	roof frame	/H/L	1							
(20)	911 563 142 00	roof frame	/H/R	1							
21	900 151 038 07	washer A 5,3		14							
22	A N 014 128 13	oval-head screw		4							
22	N 014 128 13	oval-head screw M 5 X 8		4							
24	911 563 363 00	cover	/L	1							
(24)	911 563 364 00	cover	/R	1							
25	911 555 593 61	edge protection 1155 MM for roof frame	/V	1							
26	999 209 027 40	bush 10 X 11,5 X 7		4							
27	900 119 059 02	pan-head screw M 4 X 10		6							
28	900 025 049 07	washer A 4,3		4							
29	900 096 008 01	cap nut M 5		14							
30	999 050 001 02	round head screw M 5 X 12		14							

Model	Year	MG	SG	Illustration	Restrictions	Update	9:00	17.08.2004	PORSCHE	PET	PORSCHE
911	89	8	11	811-35		179					

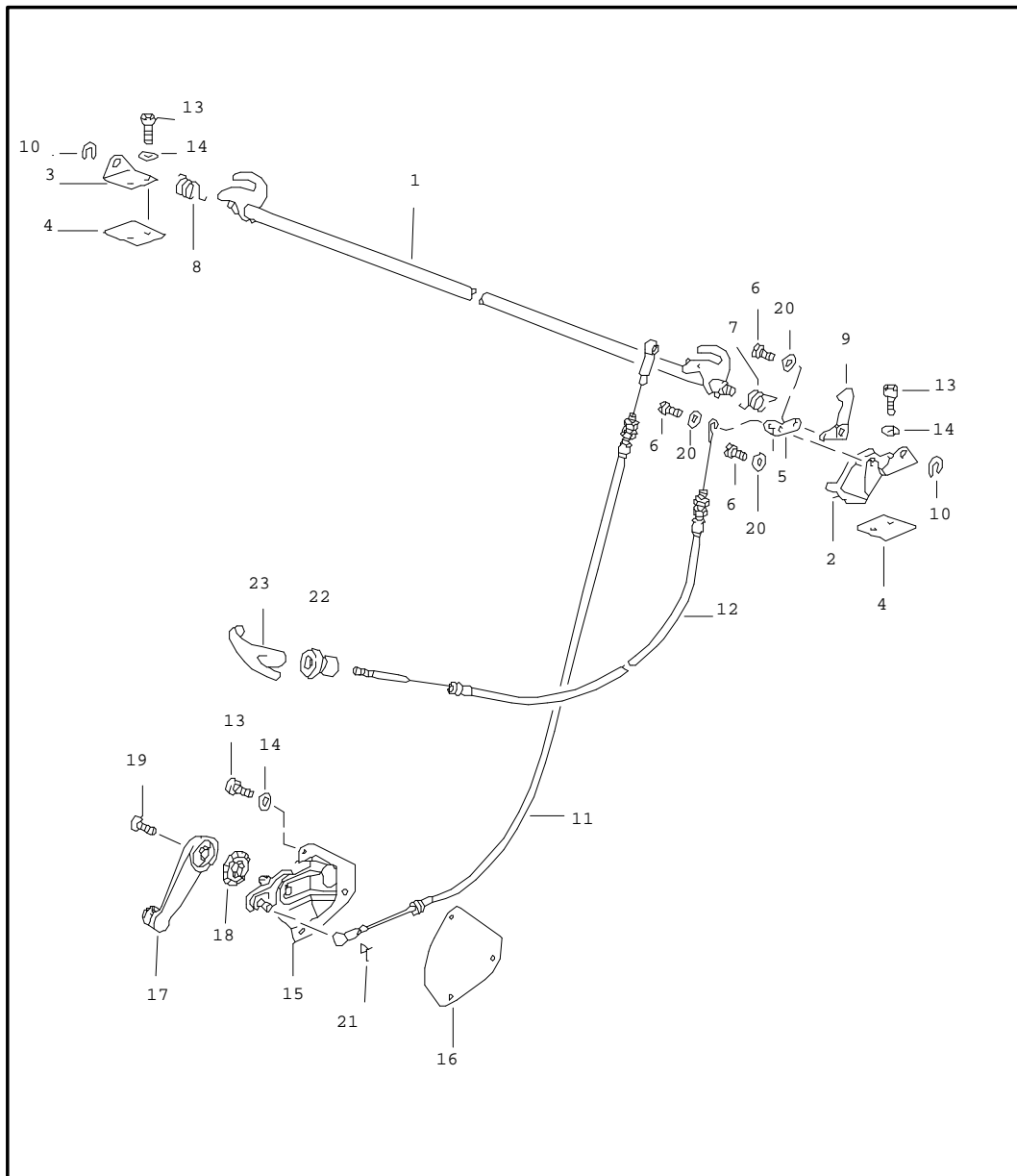


Pos	Part Number	Name	Remarks	Qty	Model
		rear covering	89		SPEDSTER
1	911 504 319 01	rear covering unvarnished		1	
2	911 504 661 00	bearing bracket centre		1	
3	900 067 117 07	pan-head screw M 6 X 16		10	
4	900 025 047 07	washer A 6,4		20	
5	N 044 703 5	pan-head screw M 6 X 45		5	
6	900 076 010 07	hexagon nut M 6		5	
7	999 924 053 40	bush 6,2 X 15 X 17		10	
8	911 504 453 00	control arm		1	
9	911 504 441 00	cross tube		1	
10	911 504 763 00	mounting	/L	1	
(10)	911 504 764 00	mounting for cross tube	/R	1	
11	A 900 116 007 01	lock washer		2	
11	N 012 439 2	lock washer 8		2	
12	911 504 525 01	support	/L	1	
(12)	911 504 526 01	support	/R	1	
13	911 504 825 00	spacer 40 X 32 X 1 POM		X	
14	911 504 827 00	plate 40 X 32		2	
15	911 504 675 00	bracket for control arm		2	
16	999 703 036 50	rubber stop 18 X 27		2	

Model	Year	MG	SG	Illustration	Restrictions	Update	9:00	17.08.2004	PORSCHE	PET	PORSCHE
911	89	8	11	811-35		179					

Pos	Part Number	Name	Remarks	Qty	Model	Pos	Part Number	Name	Remarks	Qty	Model
17	911 504 231 00	gas-filled strut		1				- - - E N D - - -			
18	911 504 337 00	gasket		1							
	70B	black									
19	911 504 733 00	cap		2							
	70B	black 15 X 11									
20	900 067 226 07	pan-head screw M 6 X 20		2							
21	900 034 032 07	hexagon nut BM 6		2							
22	911 504 715 00	protective film	/L	1							
(22)	911 504 716 00	protective film inner	/R	1							
23	900 076 062 07	hexagon nut M 8		2							
26	999 591 967 12	tenax lower part M 5 X 5		2							
26	999 591 967 12	tenax lower part M 5 X 10		8							
27	900 910 104 07	lock nut M 5		8							
28	N 011 523 13	washer A 5,3		8							
29	911 504 539 00	mount	/L	1							
(29)	911 504 540 00	mount for gasket	/R	1							
(30)	911 504 581 00	protective film	/L	1							
(30)	911 504 582 00	protective film outer black	/R	1							
31	A 911 504 805 00	protective film	/V	2							
(31)	000 043 204 92	adhesive tape roller 1 M		1							

Model	Year	MG	SG	Illustration	Restrictions	Update	9:00	17.08.2004	PORSCHE	PET	PORSCHE
911	89	8	11	811-36		179					

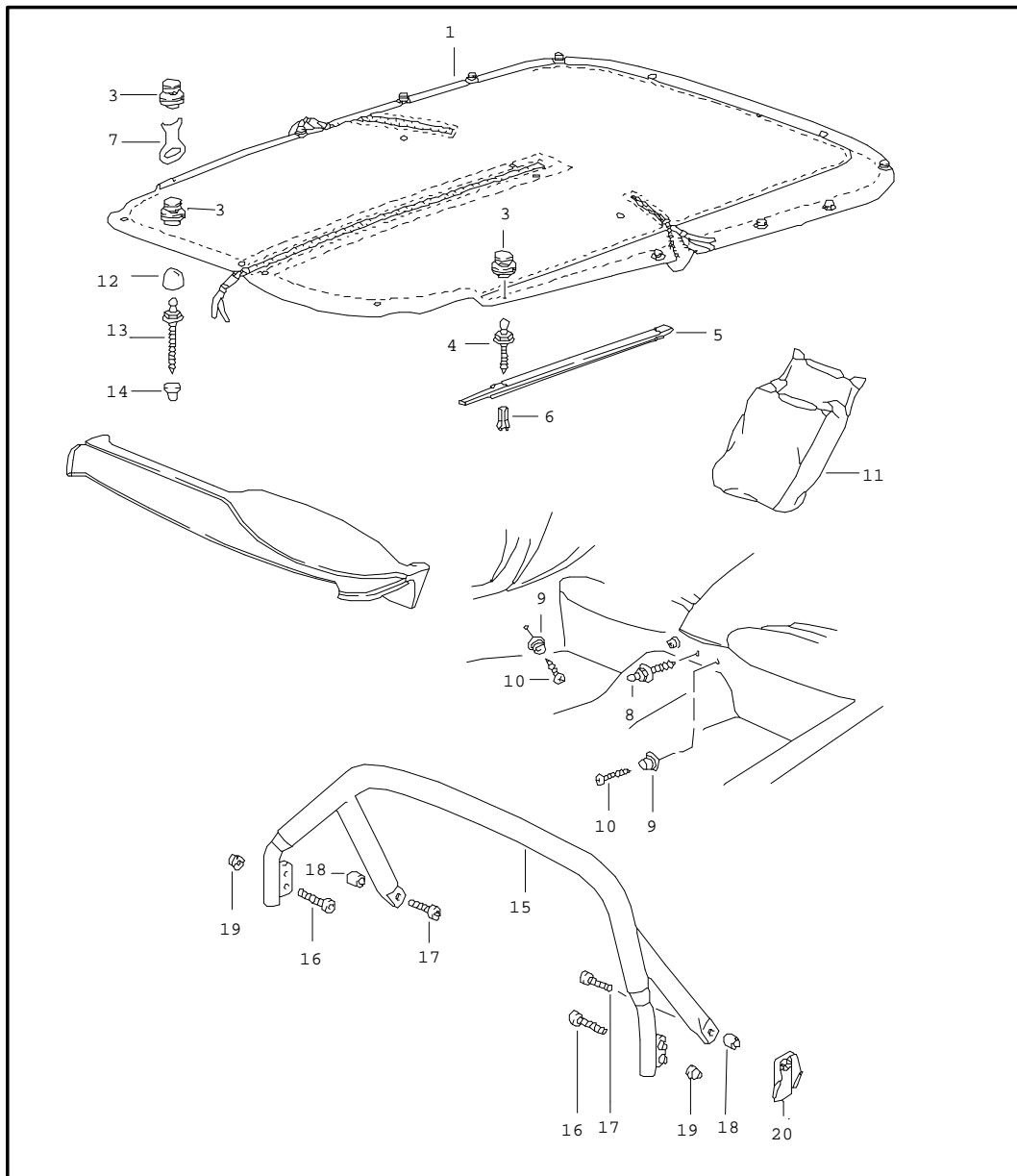


Pos	Part Number	Name	Remarks	Qty	Model
		rear covering control shaft single parts	89		SPEEDSTER
1	911 504 443 00	control shaft		1	
2	911 504 765 00	bearing bracket	/L	1	
3	911 504 766 00	bearing bracket	/R	1	
4	999 541 004 40	desk pad 20 X 40 X 1 POM		2	
5	911 504 767 00	rocker arm	/L	1	
6	900 236 017 07	screw M 3 X 3 X 3,5		3	
7	999 525 002 02	torsion spring 19,5 X 1,5	/L	1	
8	999 525 004 00	torsion spring 19,5 X 1,5	/R	1	
9	911 504 723 00	hook	/L	1	
10	N 012 439 2	lock washer 8		2	
11	911 504 055 00	bowden cable for cover		1	
12	911 504 057 01	bowden cable for hook		1	
13	900 067 117 07	pan-head screw M 6 X 16		7	
14	900 025 047 07	washer A 6,4		7	
15	911 504 321 01	support		1	
16	911 504 789 00	desk pad		1	
17	944 555 057 01	window crank		1	
		3DL black			
18	111 837 595	desk pad		1	

Model	Year	MG	SG	Illustration	Restrictions	Update	9:00	17.08.2004	PORSCHE	PET	PORSCHE
911	89	8	11	811-36		179					

Pos	Part Number	Name	Remarks	Qty	Model	Pos	Part Number	Name	Remarks	Qty	Model
19	900 249 034 02	countersunk-head screw M 5 X 12		1							
20	900 089 015 07	washer 3		3							
21	900 169 014 02	securing clip 8		1							
22	911 555 469 00	rose		1							
23	901 552 813 20	handle		1							
		- - - E N D - - -									

Model	Year	MG	SG	Illustration	Restrictions	Update	9:00	17.08.2004	PORSCHE	PET	PORSCHE
911	89	8	11	811-40		179					

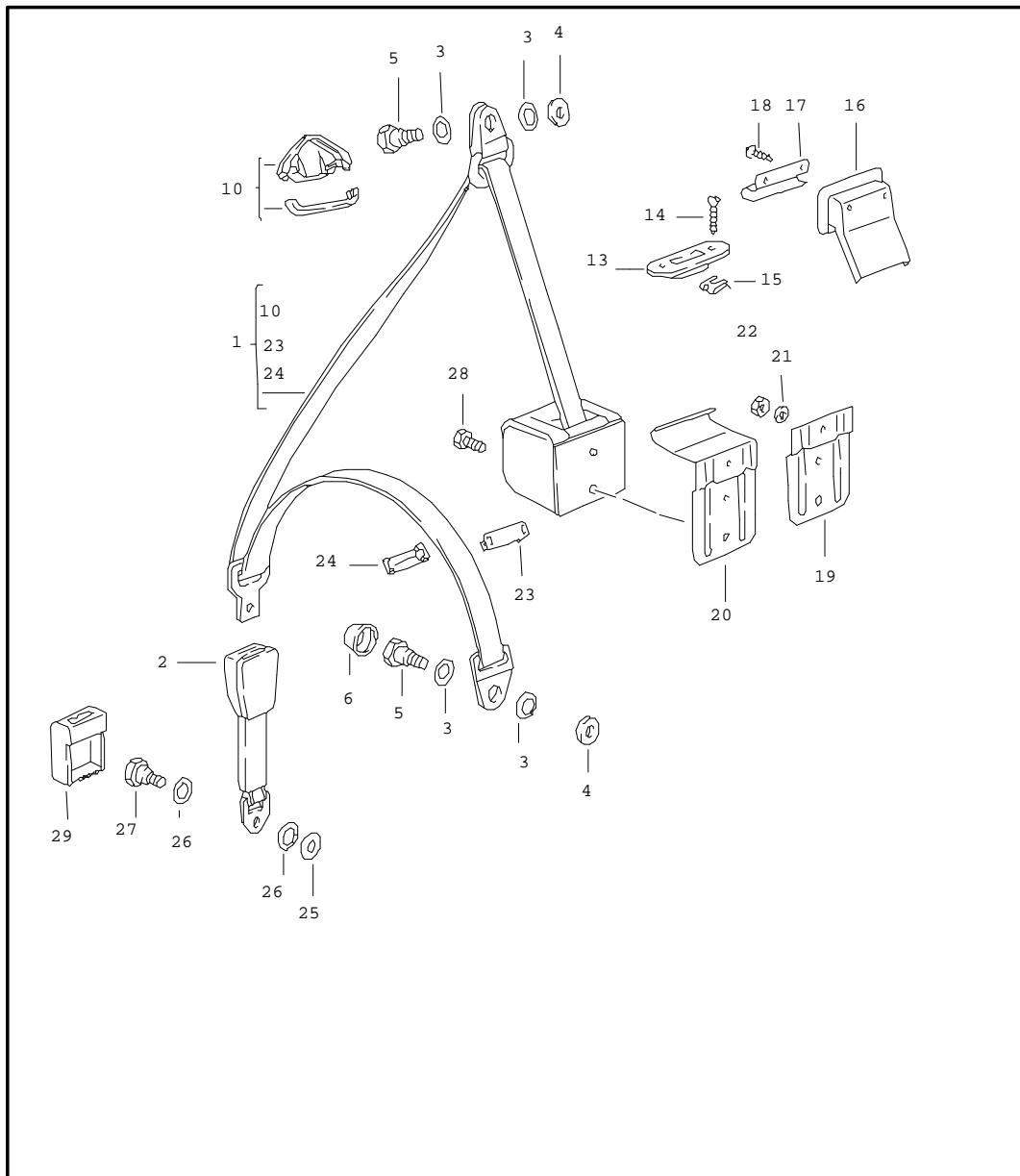


Pos	Part Number	Name	Remarks	Qty	Model
		tonneau cover protective bracket			CABRIO
1	911 561 089 60	tonneau cover	/LL	1	
	3AV	black			
	7MH	mahogany			
	6HA	dark blue			
	7MK	burgundy for subsequent installat. see technical information GR.X NR.3/84			
(1)	911 561 090 60	tonneau cover	/RL	1	
	3AV	black			
	7MH	mahogany			
	6HA	dark blue			
	7MK	burgundy for subsequent installat. see technical information GR.X NR.3/84			
3	999 591 983 12	tenax upper part		8	
4	999 591 598 02	tenax lower part		4	
5	911 531 041 60	moulding	/L	1	
	70K	black			
(5)	911 531 042 60	moulding	/R	1	
	70K	black			
6	999 591 708 02	prestole cage		4	
7	000 043 032 00	key		X	
8	999 591 597 02	tenax lower part		1	
9	999 591 835 17	snap fastener lower part		2	
10	900 144 028 07	tapping screw 3,5 X 13		2	
11	911 561 087 00	bag		1	

Model	Year	MG	SG	Illustration	Restrictions	Update	9:00	17.08.2004	PORSCHE	PET	PORSCHE
911	89	8	11	811-40		179					

Pos	Part Number	Name	Remarks	Qty	Model	Pos	Part Number	Name	Remarks	Qty	Model
12	911 561 529 00	cap		3							
13	999 591 608 17	tenax lower part B 4,2 X 22		3							
14	999 703 182 40	plug \$=4		3							
15	911 565 006 65	protective bracket leatherette black		1							
15	911 565 006 66	protective bracket leather black		1							
16	900 119 090 07	pan-head screw M 10 X 40		4							
17	900 119 006 07	pan-head screw M 10 X 35		2							
18	911 565 247 65	bush		2							
19	911 501 911 00	threaded bush M 10		4							
20	911 501 593 66	support	/L	1							
(20)	911 501 594 66	support	/R	1							
		- - - E N D - - -									

Model	Year	MG	SG	Illustration	Restrictions	Update	9:01	17.08.2004	PORSCHE	PET	PORSCHE
911	89	8	12	812-00		179					

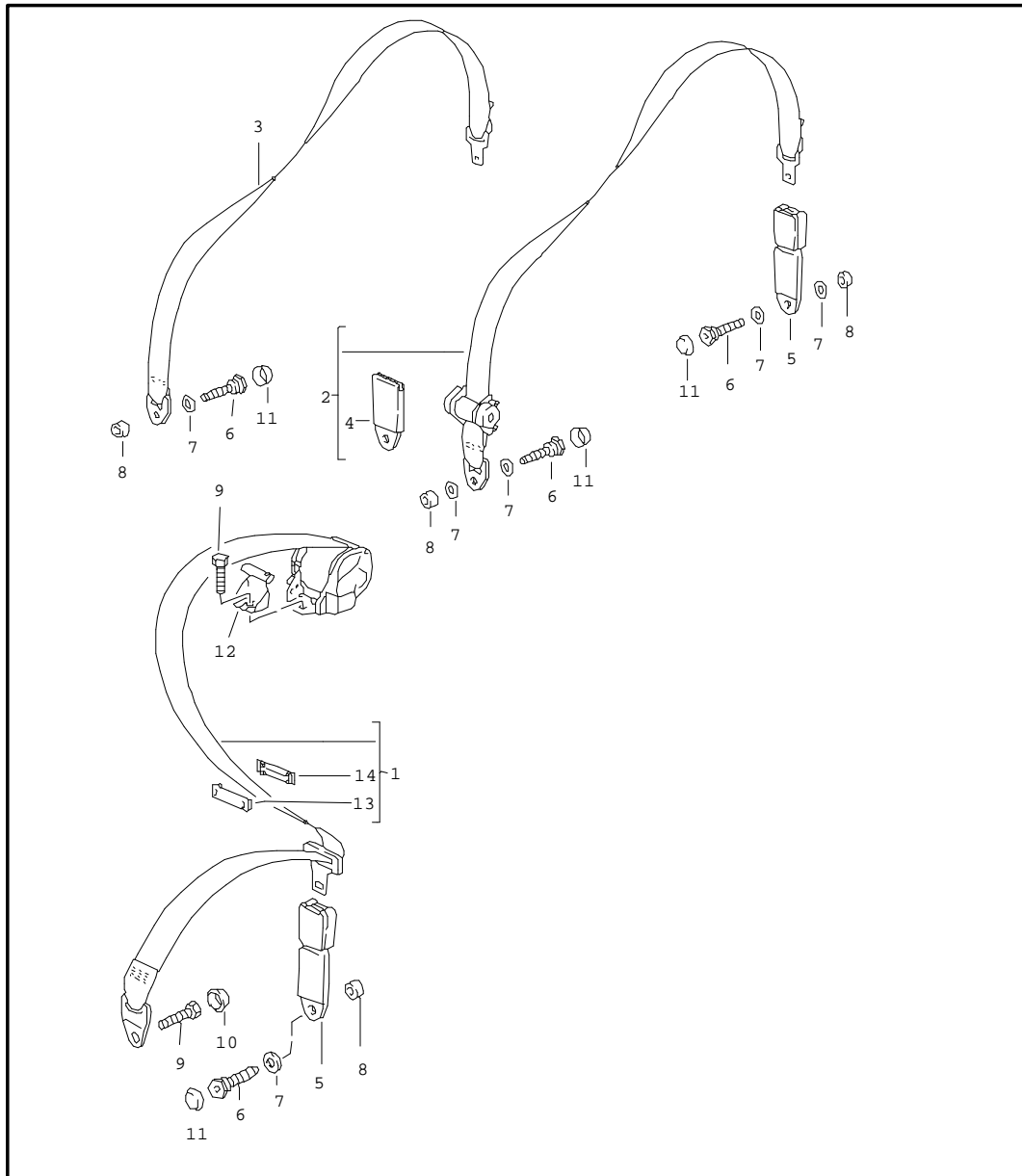


Pos	Part Number	Name	Remarks	Qty	Model
1	928 803 126 10	seat belt front		2	
	70B	black automatic			
2	928 803 183 08	seat-belt buckle		2	
	F	>>91KS1 02065	E		CARRERA COUP
	F	>>91KS1 40598	A		CARRERA TARG
	F	>>91KS1 50739	IO		CARRERA CABR
	F	>>93KS0 00342			TURBO COUPE
	F	>>93KS0 20120			TURBO CABRIO
	F	>>93KS0 10081			TURBO TARGA
	70B	black passenger's side			
(2)	928 803 183 09	seat-belt buckle		2	
	F	>>91KS1 02065	E		CARRERA COUP
	F	>>91KS1 40598	A		CARRERA TARG
	F	>>91KS1 50739	IO		CARRERA CABR
	F	>>93KS0 00342			TURBO COUPE
	F	>>93KS0 20120			TURBO CABRIO
	F	>>93KS0 10081			TURBO TARGA
	70B	black driver's side			
(2)	964 803 183 02	seat-belt buckle		1	
	F	91KS1 02066>>	E		CARRERA COUP
	F	91KS1 40599>>	A		CARRERA TARG
	F	91KS1 50740>>	IO		CARRERA CABR
	F	93KS0 00343>>			TURBO COUPE
	F	93KS0 20121>>			TURBO CABRIO
	F	93KS0 10082>>			TURBO TARGA
	70B	black passenger's side			
(2)	964 803 183 03	seat-belt buckle		1	
	F	91KS1 02066>>	E		CARRERA COUP
	F	91KS1 40599>>	A		CARRERA TARG
	F	91KS1 50740>>	IO		CARRERA CABR
	F	93KS0 00343>>			TURBO COUPE
	F	93KS0 20121>>			TURBO CABRIO
	F	93KS0 10082>>			TURBO TARGA
	70B	black driver's side			
3	211 857 771	washer		8	

Model	Year	MG	SG	Illustration	Restrictions	Update	9:01	17.08.2004	PORSCHE	PET	PORSCHE
911	89	8	12	812-00		179					

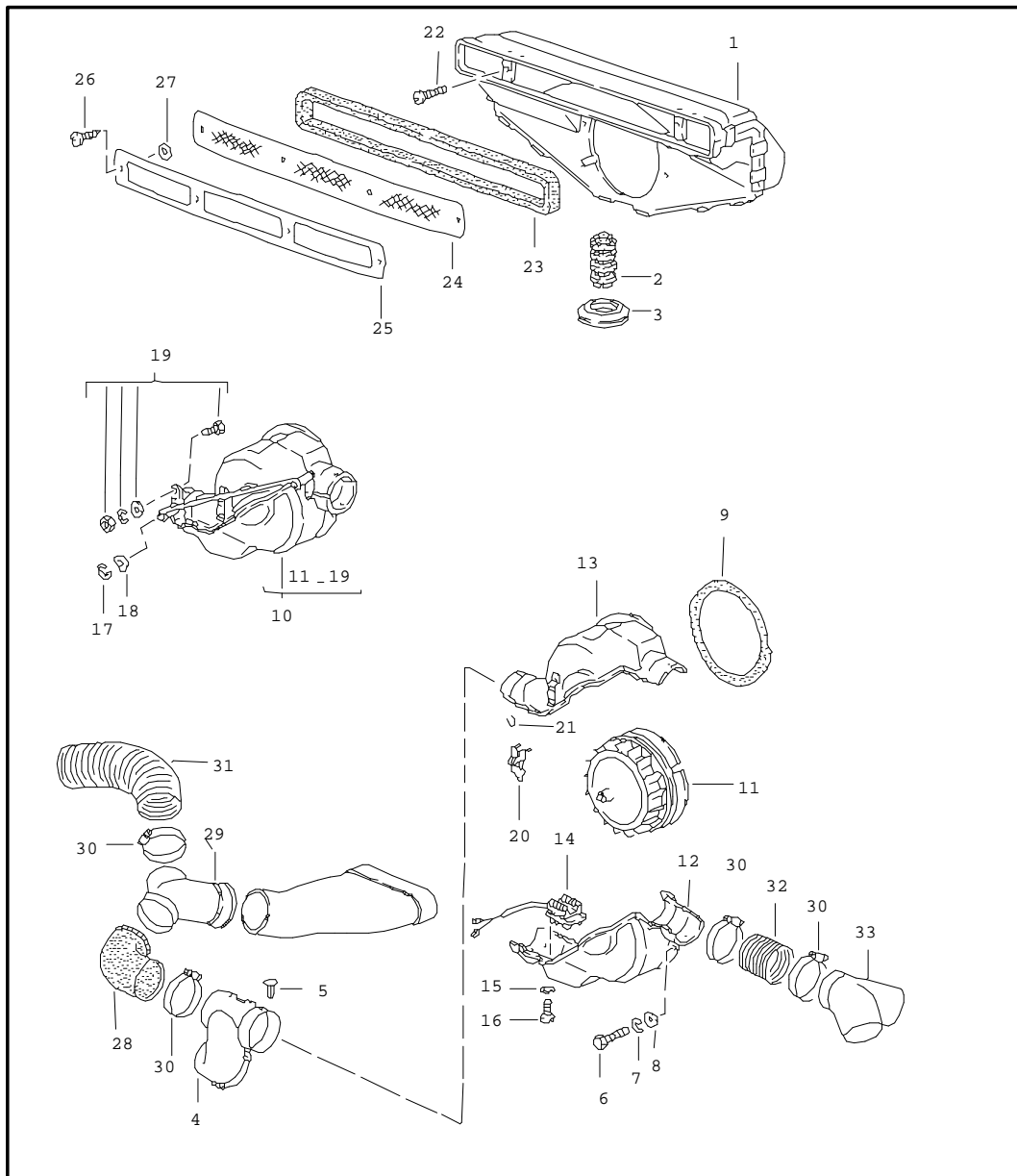
Pos	Part Number	Name	Remarks	Qty	Model	Pos	Part Number	Name	Remarks	Qty	Model
4	999 025 113 02	washer 11,5 X 21 X 2		2	COUPE	25	911 803 531 00	paper washer F >>91KS1 02065 F >>91KS1 40598 F >>91KS1 50739 F >>93KS0 00342 F >>93KS0 20120 F >>93KS0 10081	E A IO	2	CARRERA COUP CARRERA TARG CARRERA CABR TURBO COUPE TURBO CABRIO TURBO TARGA
(4)	810 019 829	guide sleeve		2							
5	111 857 793 E	fastening screw		6	COUPE						
5	111 857 793 E	fastening screw		4	TARGA/CABRIO						
(5)	111 857 793 E	fastening screw		2	TARGA/CABRIO	(25)	N 011 655 2	washer 11,5 X 21 X 1,8 F 91KS1 02066>> F 91KS1 40599>> F 91KS1 50740>> F 93KS0 00343>> F 93KS0 20121>> F 93KS0 10082>>	E A IO	2	CARRERA COUP CARRERA TARG CARRERA CABR TURBO COUPE TURBO CABRIO TURBO TARGA
6	811 857 845	cap		2							
(10)	944 803 141 00	cover		2							
	70B	black									
13	911 555 615 01	rose		2	COUPE	26	911 803 533 00	cup spring F >>91KS1 02065 F >>91KS1 40598 F >>91KS1 50739 F >>93KS0 00342 F >>93KS0 20120 F >>93KS0 10081	E A IO	4	CARRERA COUP CARRERA TARG CARRERA CABR TURBO COUPE TURBO CABRIO TURBO TARGA
14	N 014 093 3	tapping screw BZ 4,2 X 13		4	COUPE						
15	999 507 020 02	speed nut 4,2		4	COUPE						
16	901 803 139 00	rose		2	TARGA	27	914 803 468 10	screw F >>91KS1 02065 F >>91KS1 40598 F >>91KS1 50739 F >>93KS0 00342 F >>93KS0 20120 F >>93KS0 10081	E A IO	2	CARRERA COUP CARRERA TARG CARRERA CABR TURBO COUPE TURBO CABRIO TURBO TARGA
17	911 555 619 40	relay lever		2	TARGA						
18	900 145 071 07	tapping screw B 3,5 X 13		4	TARGA						
19	911 555 625 00	support for seatbelt		2	COUPE	(27)	959 803 701 00	hexagon-head bolt F 91KS1 02066>> F 91KS1 40599>> F 91KS1 50740>> F 93KS0 00343>> F 93KS0 20121>> F 93KS0 10082>>	E A IO	2	CARRERA COUP CARRERA TARG CARRERA CABR TURBO COUPE TURBO CABRIO TURBO TARGA
(19)	911 501 461 61	support for seatbelt		2	CABRIO						
20	911 555 613 41	support for seatbelt		2	TARGA						
20	911 555 613 41	support for seatbelt		2	COUPE M 637						
21	900 031 011 02	washer 6,4		2		28	911 803 150 00	screw		2	
22	900 076 010 02	hexagon nut M 6		2		29	911 803 453 00	cap		2	
23	928 803 151 02	clip upper part		2			70B	black			
24	928 803 153 02	clip lower part		2							

Model	Year	MG	SG	Illustration	Restrictions	Update	9:01	17.08.2004	PORSCHE	PET	PORSCHE
911	89	8	12	812-05		179					



Pos	Part Number	Name	Remarks	Qty	Model
1	911 803 049 07	seat belt rear		2	M 335
	70B	black automatic			
2	477 857 787 C	seat belt automatic		2	M 185, M215
3	477 857 795	seat belt manual		2	M 186
4	477 857 750 B	cap		2	M 185
5	477 857 739 A	seat-belt buckle		2	
6	911 803 451 00	fastening screw		2	M 335
6	911 803 451 00	fastening screw		4	M 185/186
7	211 857 771	washer		4	M 185/186
7	211 857 771	washer		2	M 335
8	901 803 116 40	spacer sleeve		4	M 185/186
8	901 803 116 40	spacer sleeve		2	M 335
9	111 857 799 A	fastening screw		4	M 335
10	811 857 845	cap		2	M 335
11	911 803 259 01	cap		2	M 335
11	911 803 259 01	cap		4	M 185/186
12	911 803 479 00	relay lever		2	M 335 COUPE/TARGA
13	928 803 151 02	clip upper part		2	
14	928 803 153 02	clip lower part		2	
		- - - E N D - - -			

Model	Year	MG	SG	Illustration	Restrictions	Update	9:01	17.08.2004	PORSCHE	PET	PORSCHE
911	89	8	13	813-00		179					

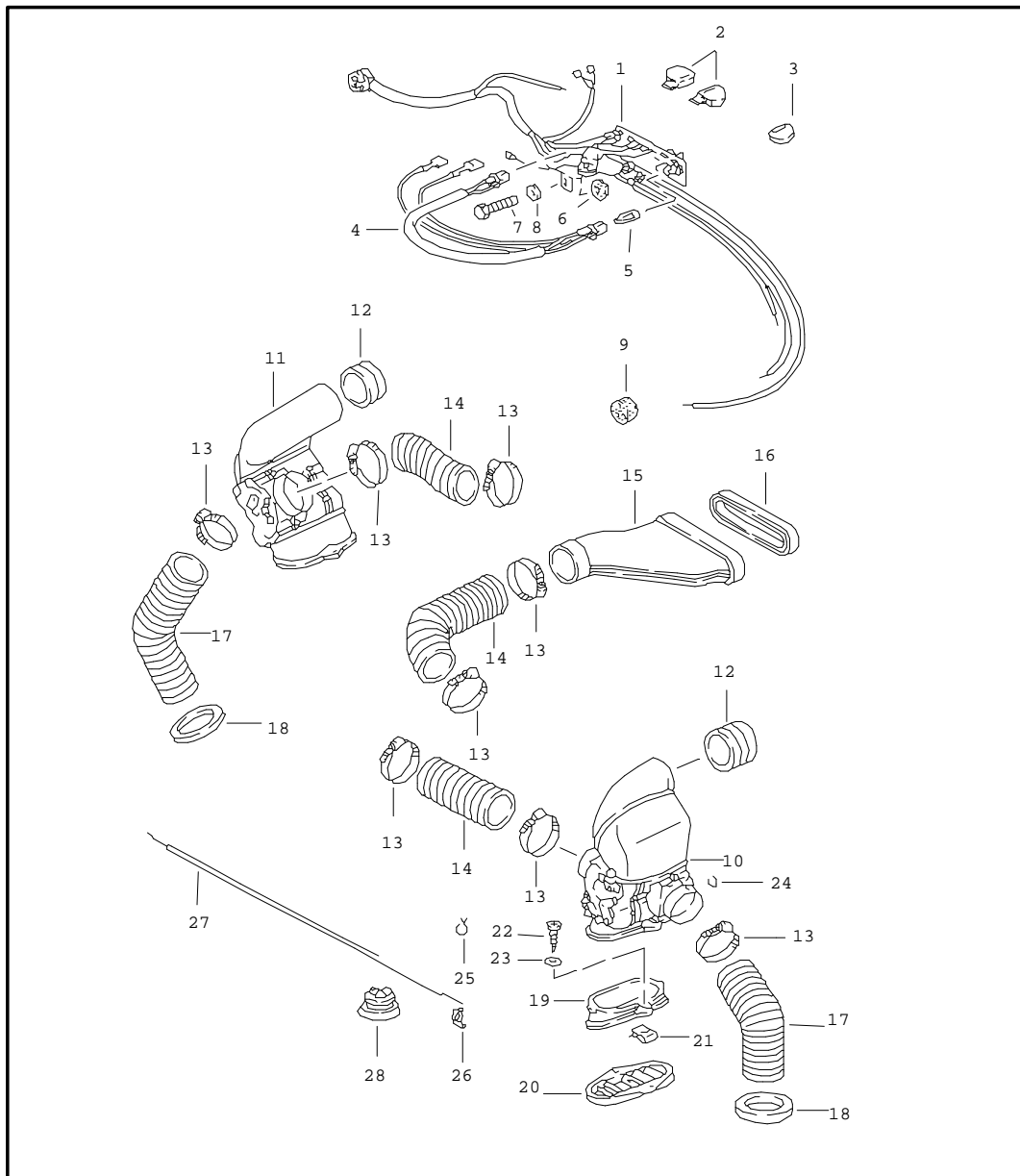


Pos	Part Number	Name	Remarks	Qty	Model
		ventilation heating system 1			
1	911 571 041 01	fresh air inlet box	/LL	1	
(1)	911 571 042 01	fresh air inlet box	/RL	1	
2	911 571 224 00	water drain hose 600 MM		1	
(2) A	911 571 224 00	water drain hose 480MM	/RL	1	
3	901 573 143 00	rubber sleeve	/RL	1	
4	911 571 039 01	distributing piece	/LL	1	CARRERA
(4)	911 571 040 01	distributing piece	/RL	1	CARRERA
5	999 591 565 40	clip 6,2		2	
6 A	900 075 264 02	hexagon-head bolt		2	
6	900 075 145 02	hexagon-head bolt M 5 X 15		2	
7	900 027 011 01	lock ring B5		2	
8	900 025 003 02	washer 5,3		2	
9	901 571 922 00	sealing ring		1	
10	911 571 018 00	blower		1	
11	911 571 320 32	blower motor		1	
12	911 571 905 00	housing		1	
13	911 571 907 00	housing		1	
14	911 618 051 00	thermo bi-metal switch		1	
15	N 012 004 2	lock ring B 4		2	
16	900 014 046 02	pan-head screw AM 4 X 10		2	
17	N 012 434 1	lock washer 4		2	

Model	Year	MG	SG	Illustration	Restrictions	Update	9:01	17.08.2004	PORSCHE	PET	PORSCHE
911	89	8	13	813-00		179					

Pos	Part Number	Name	Remarks	Qty	Model	Pos	Part Number	Name	Remarks	Qty	Model
18	N 012 221 3	spring washer A 4,3		2							
19	901 211 683 00	clamping screw M 4		1							
20	901 571 919 00	terminal		1							
21	901 571 921 00	retainer		6							
22	N 014 153 1	oval-head screw M 5 X 40		2							
23	901 571 325 32	sealing frame		1							
24	911 559 410 00	grille		1							
25	911 559 401 00	grille frame		1							
26	N 014 086 12	tapping screw B 3,5 X 13		4							
27	901 559 491 20	spacer		2							
28	A 911 572 325 00	heater hose	/LL 87	1							
(28)	A 911 572 325 00	heater hose	/RL 87	1							
(28)	911 572 325 00	heater hose		1							
29	911 573 254 00	branch piece	/LL	1							
(29)	911 573 253 00	branch piece	/RL	1							
(29)	911 573 253 00	branch piece	/LL 9	1	TURBO/ CARRERA M 55						
29	911 573 254 00	branch piece	/RL 9	1	TURBO/ CARRERA M 55						
30	999 512 349 02	hose clamp 50-70/9		3							
31	911 573 115 00	hose 60 X 420	9	1	TURBO/ CARRERA M 55						
31	911 573 115 01	hose 60 X 550		1	CARRERA						
32	911 571 239 00	air hose		2	CARRERA						
33	911 571 251 00	branch piece		1	CARRERA						
- - - E N D - - -											

Model	Year	MG	SG	Illustration	Restrictions	Update	9:01	17.08.2004	PORSCHE	PET	PORSCHE
911	89	8	13	813-01		179					

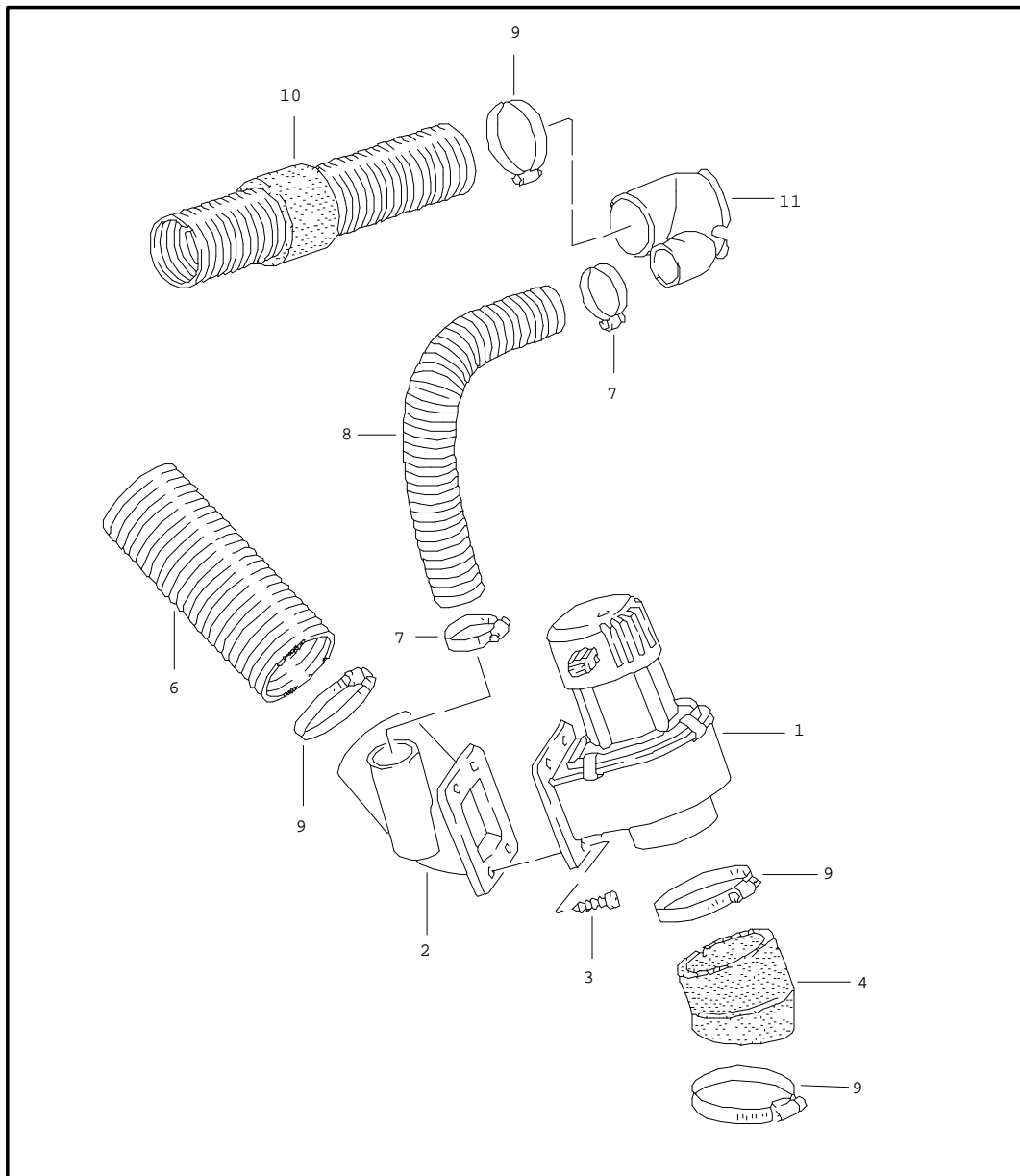


Pos	Part Number	Name	Remarks	Qty	Model
		ventilation heating system 2			
(1)	911 613 111 10	control switch	/LL	1	
(1)	911 613 112 07	control switch	/RL	1	
2	911 613 139 00	knob		2	
	01C	black			
3	911 613 135 00	knob		1	
	K51	red			
(3)	911 613 135 01	knob		1	
	01C	black			
4	911 612 172 01	wiring harness		1	
5	900 631 132 90	bulb		2	
		12V 1,2W			
6	914 571 903 10	sealing ring		1	
7	N 010 217 9	hexagon-head bolt		1	
		M 6 X 20			
8	N 011 524 7	washer		1	
		6,4			
9	914 571 151 10	rubber sleeve		1	
10	911 571 049 07	control box	/L	1	
11	911 571 050 07	control box	/R	1	
12	901 571 345 32	hose piece		2	
13	999 512 349 02	hose clamp		9	
14	911 571 239 00	air hose		3	CARRERA
14	473 261 233 A	air hose	/LL	3	M 559
14	911 571 243 00	air hose	/RL	1	M 559
14	473 261 233 A	air hose	/RL	1	M 559
15	911 571 085 01	air duct	/LL	1	
(15)	911 571 086 01	air duct	/RL	1	

Model	Year	MG	SG	Illustration	Restrictions	Update	9:01	17.08.2004	PORSCHE	PET	PORSCHE
911	89	8	13	813-01		179					

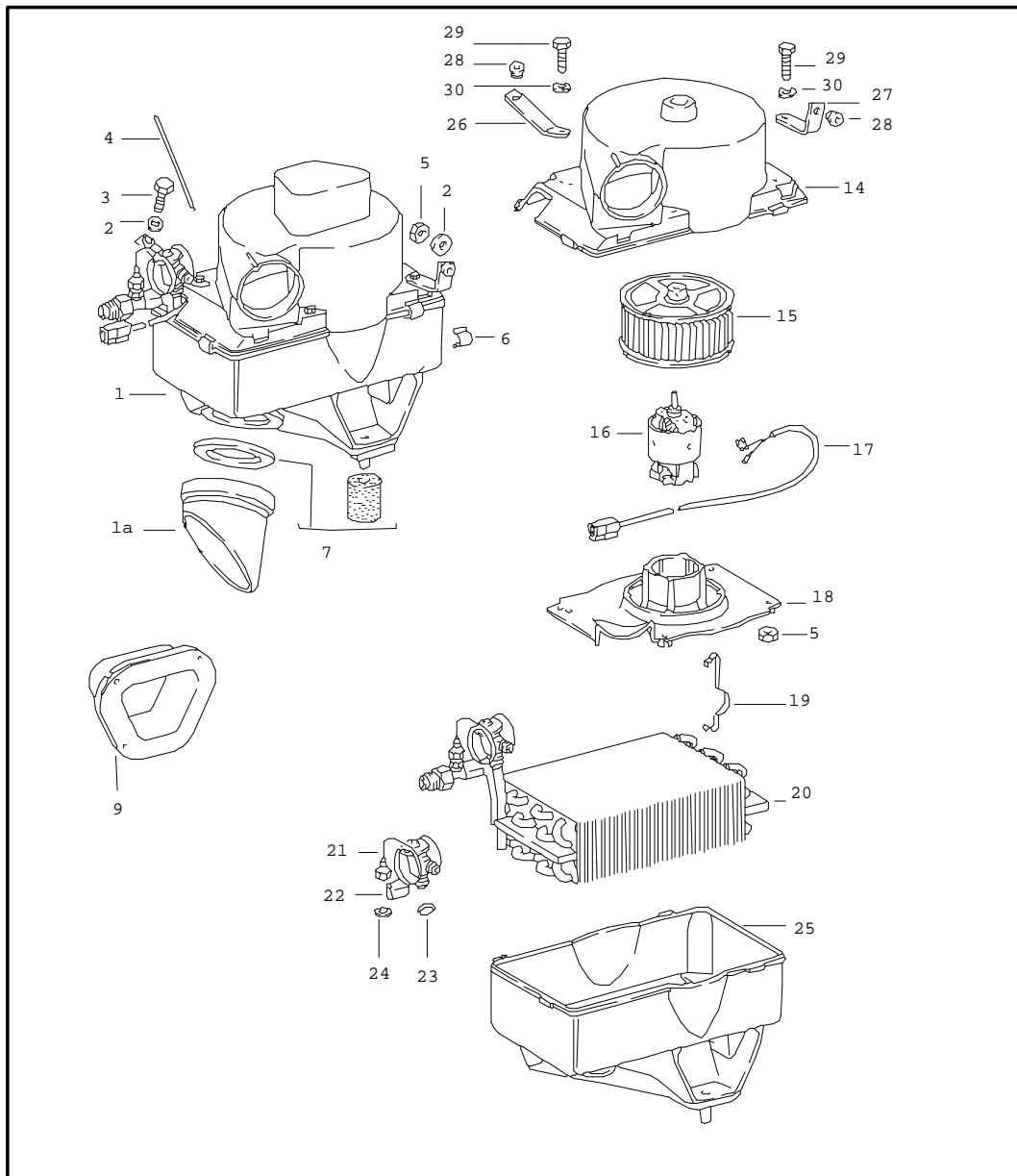
Pos	Part Number	Name	Remarks	Qty	Model	Pos	Part Number	Name	Remarks	Qty	Model
16	911 571 189 00	sealing ring		1							
17	914 572 123 10	air hose		2							
18	901 572 913 01	sealing ring		2							
19	911 571 051 00	connecting flange		2							
20	911 571 347 01	air distributor	/L	1							
(20)	911 571 348 01	air distributor	/R	1							
21	999 591 574 02	speed nut B 4,8		4							
22	900 143 039 02	tapping screw BZ 4,8 X 19		4							
22	N 013 969 8	tapping screw BZ 4,8 X 16	/RL	2	M 559						
22	900 143 039 02	tapping screw BZ 4,8 X 19	/RL	2	M 559						
23	N 011 523 5	washer A 5,3	/RL	5	M 559						
24	901 571 921 00	retainer		16							
25	999 512 162 02	clamping spring		8							
26	477 819 343	spring clamp		4							
27	911 572 114 00	bowden control		2							
28	911 612 863 00	grommet		1							
		- - - E N D - - -									

Model	Year	MG	SG	Illustration	Restrictions	Update	9:01	17.08.2004	PORSCHE	PET	PORSCHE
911	89	8	13	813-02		179					



Pos	Part Number	Name	Remarks	Qty	Model
		additional blower air duct	7		CARRERA M 63 SPEEDSTER
(1)	911 624 043 02	blower	/L	1	
1	911 624 044 02	blower	/R	1	
(2)	911 571 137 00	double socket	/L	1	
2	911 571 138 00	double socket	/R	1	
(2)	911 573 231 00	air distributor	/L	1	M 637/ SPEEDSTER
(2)	911 573 232 00	air distributor		1	M 637/ SPEEDSTER
3	999 919 018 00	screw 3,5 X 10		8	
4	930 571 101 01	hot air socket		2	
6	914 572 123 10	air hose		2	
7	999 512 356 02	hose clamp 25-40/9		4	
8 A	911 572 223 00	air hose 36 X 200	87	2	
8	911 572 223 00	air hose LW 38 X 240		2	
8 A	911 573 211 00	air hose	/L	1	M 637/
8	911 571 228 00	air hose 36 X 390	37	1	SPEEDSTER/M6
8 A	911 571 226 00	air hose 36 X 160	/R	1	M 637/ SPEEDSTER
9	999 512 349 02	hose clamp 50-70/9		X	
10	911 573 115 00	hose \$=60 X 420		1	
(11)	911 572 259 00	air distributor	/L	1	
11	911 572 260 00	air distributor side vent	/R	1	
- - - E N D - - -					

Model	Year	MG	SG	Illustration	Restrictions	Update	9:02	17.08.2004	PORSCHE	PET	PORSCHE
911	89	8	13	813-05		179					

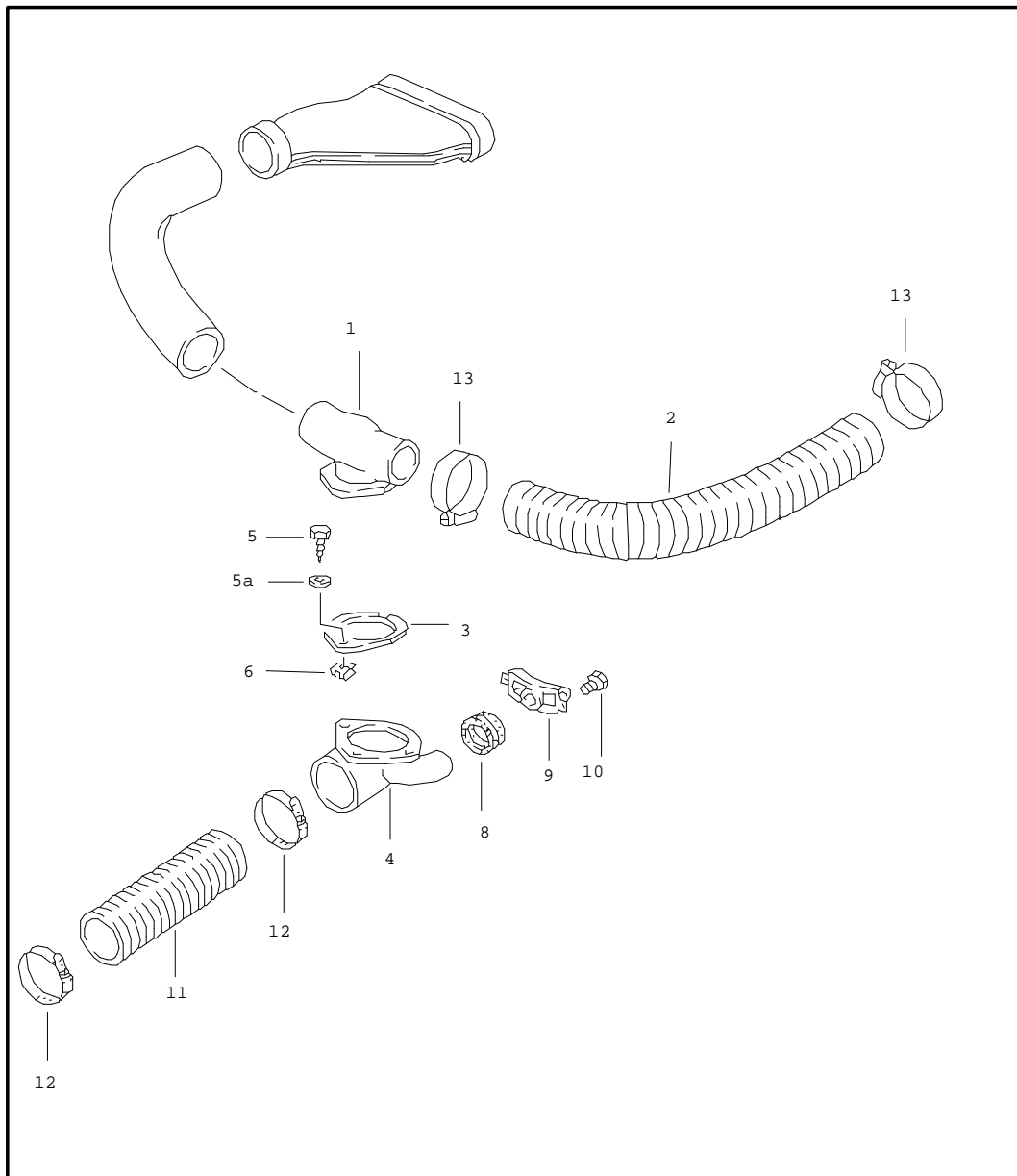


Pos	Part Number	Name	Remarks	Qty	Model
		air conditioner evaporator housing single parts			
- A	911 573 915 04	air conditioner for subsequent installat.	/LL	1	CARRERA
1	911 573 021 04	evaporator housing	/LL 9	1	TURBO CARRERA M 55
(1)	911 573 022 04	evaporator housing	/RL 9	1	TURBO CARRERA M 55
1A	901 501 631 30	connecting piece	/LL	1	
2	900 151 003 02	washer A 6,4	/LL	2	
(2)	N 042 121 1	shake-proof washer A 6,4	/RL	2	
3	900 075 057 02	hexagon-head bolt M 6 X 16		1	
4	901 573 903 00	guide tube		1	
5	900 076 010 02	hexagon nut M 6		5	
6	901 573 904 00	tensioning spring		4	
-	911 573 135 37	protection cap	/RL	1	
-	911 573 131 39	drain tube	/RL	1	
-	911 573 143 00	rubber sleeve	/RL	1	
7	901 573 901 00	parts kit comprising: sealing ring shim	/LL	1 2	
(9)	911 573 073 01	connection piece with support	/LL 9	1	TURBO/ CARRERA M 55
11	911 618 151 00	thermo bi-metal switch	/LL	1	
(14)	911 573 923 00	housing cover	/LL	1	
(14)	911 573 924 00	housing cover	/RL	1	
15	901 573 906 00	fan	/RL	1	

Model	Year	MG	SG	Illustration	Restrictions	Update	9:02	17.08.2004	PORSCHE	PET	PORSCHE
911	89	8	13	813-05		179					

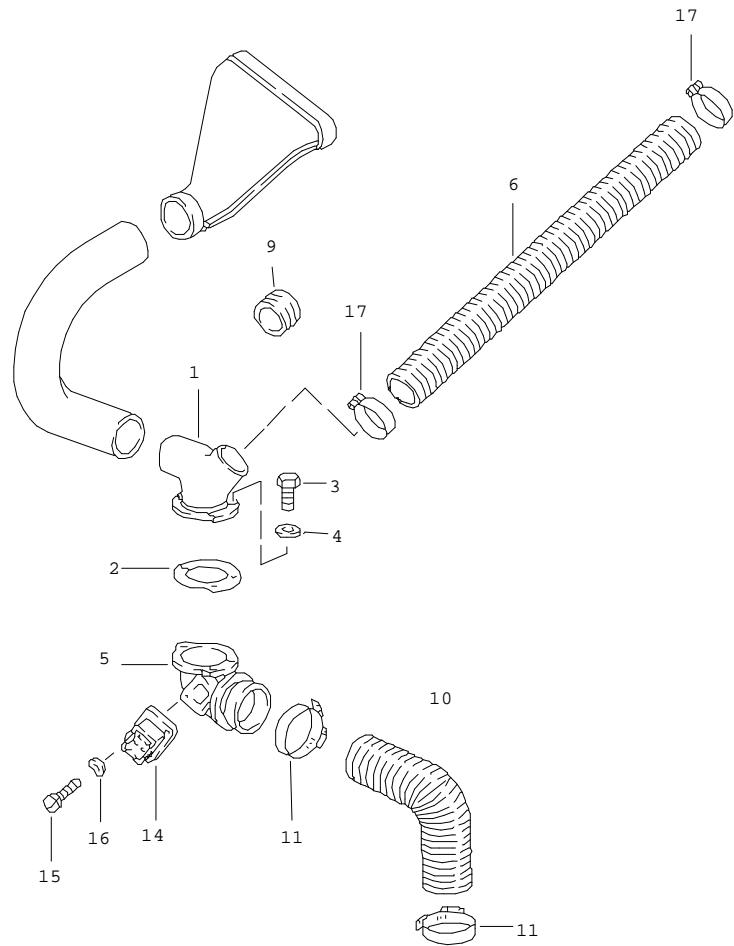
Pos	Part Number	Name	Remarks	Qty	Model	Pos	Part Number	Name	Remarks	Qty	Model
(15)	911 624 906 00	blower with POS.16	/LL	1							
16	911 624 899 00	electric motor	/RL	1							
17	901 612 084 00	wiring harness	/RL	1							
17	911 612 984 00	wiring harness	/LL	1							
18	911 573 323 00	engine support	/RL	1							
(18)	911 573 927 00	engine support	/LL	1							
19	901 624 903 00	clamp		4							
(20)	911 573 929 00	evaporator	/LL	1							
(20)	911 573 929 01	evaporator	/RL	1							
21	911 573 925 00	expansion valve		1							
22	901 573 914 00	clip		1							
23	999 707 250 40	o-ring 10,52 X 1,8		1							
24 W	901 573 916 00	gasket		1							
24	911 573 916 00	o-ring 7/16"		1							
25	901 573 908 00	housing lower part	/LL	1							
(25)	911 573 122 00	housing lower part	/RL	1							
26	911 572 473 00	angle	/LL	1							
27	911 572 471 00	angle	/LL	1							
28	901 573 133 00	rubber sleeve		2							
29	N 010 217 9	hexagon-head bolt M 6 X 20		4							
30	N 012 226 5	spring washer B 6		4							
(30)	N 042 131 1	shake-proof washer J 8,2		1							
- - - E N D - - -											

Model	Year	MG	SG	Illustration	Restrictions	Update	9:02	17.08.2004	PORSCHE	PET	PORSCHE
911	89	8	13	813-10		179					



Pos	Part Number	Name	Remarks	Qty	Model
		cooling air duct left-hand drive			
1	911 573 179 01	air distributor		1	
2	911 573 117 00	air hose 60 X 750		1	
3	911 573 173 00	gasket		1	
4	911 573 181 01	connecting piece		1	
5	900 143 007 02	tapping screw B 4,2 X 13		2	
(5)	900 143 047 07	tapping screw B 4,2 X 19		1	
5A	900 025 003 02	washer A 5,3		3	
6	999 591 457 02	speed nut B 4,2		3	
8	911 573 185 00	rubber sleeve		2	
9	911 573 183 00	footwell outlet vent		1	
10	N 010 207 6	hexagon-head bolt M 5 X 12	87	2	
10	900 143 007 02	tapping screw	87	2	
10	900 143 007 02	tapping screw B 4,2 X 13	88-	4	
11	911 571 240 01	air hose		1	
12 A	999 512 351 02	hose clamp 76-92 X 9		2	
12	999 512 351 02	hose clamp 70-90/9		1	
13	999 512 349 02	hose clamp 50-70/9		2	
- - - E N D - - -					

Model	Year	MG	SG	Illustration	Restrictions	Update	9:02	17.08.2004	PORSCHE	PET	PORSCHE
911	89	8	13	813-11		179					

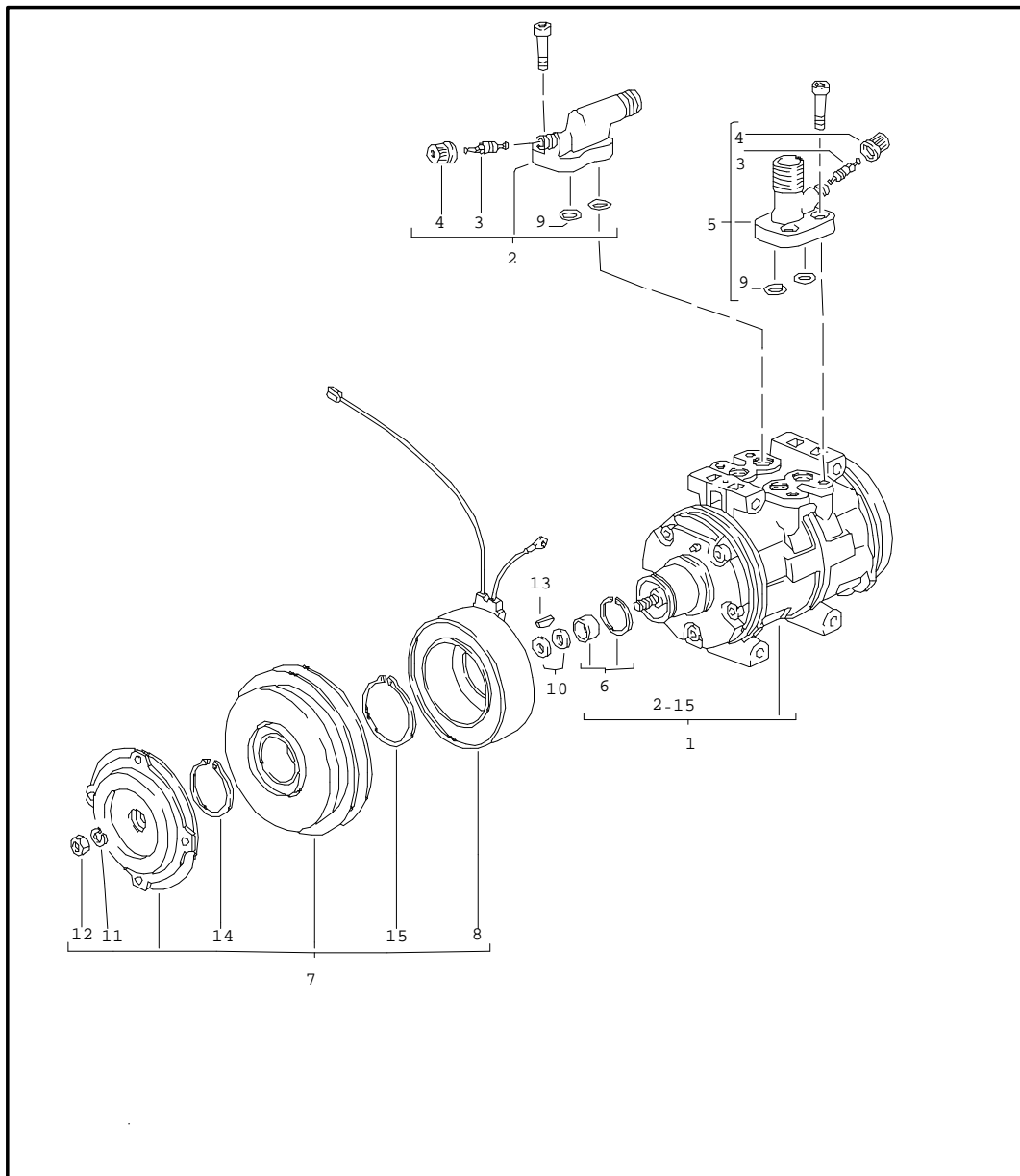


Pos	Part Number	Name	Remarks	Qty	Model
1	A 911 573 180 01	cooling air duct right-hand drive air distributor F >>91KS1 00092 F >>91KS1 40075 F >>91KS1 50079 F >>93KS0 00068 F >>93KS0 20062 F >>93KS0 10060		1	COUPE TARGA CABRIO TURBO COUPE TURBO CABRIO TURBO TARGA
(1)	911 573 032 01	air distributor use also: F >>91KS1 00092 F >>91KS1 40075 F >>91KS1 50079 F >>93KS0 00068 F >>93KS0 20062 F >>93KS0 10060		1	COUPE TARGA CABRIO TURBO COUPE TURBO CABRIO TURBO TARGA
-	911 573 088 02	connecting piece		1	
2	901 572 527 00	sealing washer F >>91KS1 00092 F >>91KS1 40075 F >>91KS1 50079 F >>93KS0 00068 F >>93KS0 20062 F >>93KS0 10060		2	COUPE TARGA CABRIO TURBO COUPE TURBO CABRIO TURBO TARGA
3	N 010 207 6	hexagon-head bolt M 5 X 12 F >>91KS1 00092 F >>91KS1 40075 F >>91KS1 50079 F >>93KS0 00068 F >>93KS0 20062 F >>93KS0 10060		3	COUPE TARGA CABRIO TURBO COUPE TURBO CABRIO TURBO TARGA
(3)	900 187 013 02	tapping screw B 4,2 X 13 F 91KS1 00093>> F 91KS1 40076>> F 91KS1 50080>> F 93KS0 00069>> F 93KS0 20063>> F 93KS0 10061>>		3	COUPE TARGA CABRIO TURBO COUPE TURBO CABRIO TURBO TARGA

Model	Year	MG	SG	Illustration	Restrictions	Update	9:02	17.08.2004	PORSCHE	PET	PORSCHE
911	89	8	13	813-11		179					

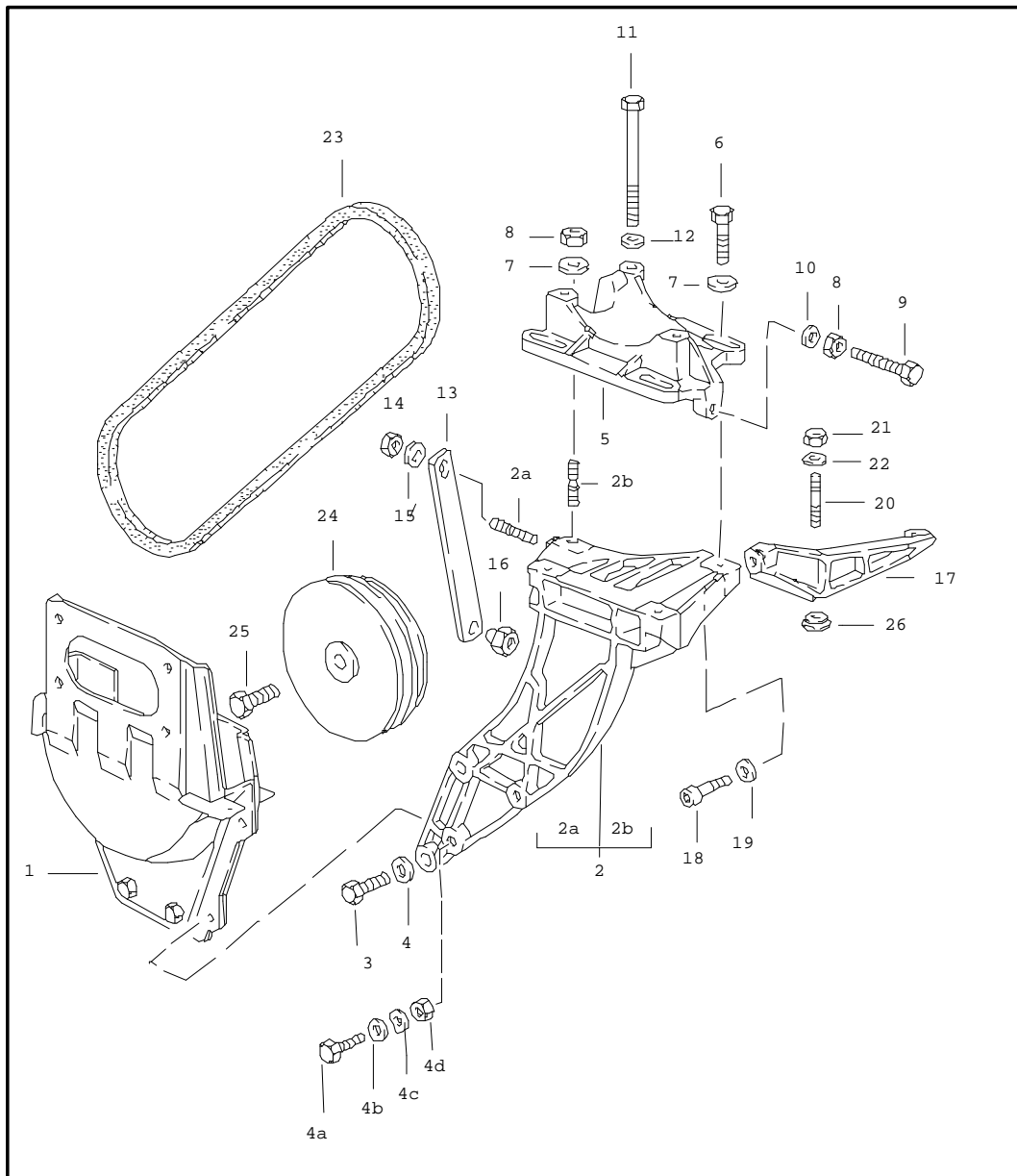
Pos	Part Number	Name	Remarks	Qty	Model	Pos	Part Number	Name	Remarks	Qty	Model
4	N 011 523 5	washer A 5,3 F >>91KS1 00092 F >>91KS1 40075 F >>91KS1 50079 F >>93KS0 00068 F >>93KS0 20062 F >>93KS0 10060		3	COUPE TARGA CABRIO TURBO COUPE TURBO CABRIO TURBO TARGA	11	A 999 512 351 02	hose clamp		2	
						11	999 512 351 02	hose clamp 70-92/9		2	
						14	911 618 151 00	thermo bi-metal switch		1	
						15	900 146 011 02	oval-head screw AM 4 X 10		2	
4	900 025 002 02	washer A 4,3 F 91KS1 00093>> F 91KS1 40076>> F 91KS1 50080>> F 93KS0 00069>> F 93KS0 20063>> F 93KS0 10061>>		3	COUPE TARGA CABRIO TURBO COUPE TURBO CABRIO TURBO TARGA	16	N 012 224 3	spring washer A 4		2	
						17	999 512 349 02	hose clamp 50-70/9		2	
								- - - E N D - - -			
5	A 911 573 088 01	connecting piece F >>91KS1 00092 F >>91KS1 40075 F >>91KS1 50079 F >>93KS0 00068 F >>93KS0 20062 F >>93KS0 10060		1	COUPE TARGA CABRIO TURBO COUPE TURBO CABRIO TURBO TARGA						
(5)	911 573 088 02	connecting piece use also: F >>91KS1 00092 F >>91KS1 40075 F >>91KS1 50079 F >>93KS0 00068 F >>93KS0 20062 F >>93KS0 10060		1	COUPE TARGA CABRIO TURBO COUPE TURBO CABRIO TURBO TARGA						
-	911 573 032 01	air distributor		1							
6	911 573 118 00	air hose \$=60 X 950		1							
7	999 591 457 02	speed nut B 4,2 F 91KS1 00093>> F 91KS1 40076>> F 91KS1 50080>> F 93KS0 00069>> F 93KS0 20063>> F 93KS0 10061>>		3	COUPE TARGA CABRIO TURBO COUPE TURBO CABRIO TURBO TARGA						
9	999 702 062 50	grommet		1							
10	A 911 573 523 02	air hose	87	1							
10	911 573 523 02	air hose		1							

Model	Year	MG	SG	Illustration	Restrictions	Update	9:02	17.08.2004	PORSCHE	PET	PORSCHE
911	89	8	13	813-15		179					



Pos	Part Number	Name	Remarks	Qty	Model
		compressor			
1	930 126 021 01	compressor complete		1	
2	930 126 925 00	pressure valve		1	
3	928 573 908 03	valve insert		2	
4	928 573 909 02	cap		2	
5	930 126 923 00	suction valve		1	
6	930 126 921 00	set of shaft seals		1	
7	930 126 903 00	clutch complete		1	
8	930 126 907 00	solenoid coil		1	
9	944 126 935 01	o-ring		4	
10	477 298 829	spacer 0,1 MM		X	
(10)	477 298 829 A	spacer 0,2 MM		X	
(10)	477 298 829 B	spacer 0,5 MM		X	
(10)	477 298 829 C	spacer 0,8 MM		X	
(10)	477 298 829 B	spacer 1,0 MM		X	
11	900 027 015 02	lock ring B 8		1	
12	N 011 008 8	hexagon nut M 8		1	
13	944 126 905 00	spring		1	
14	477 298 843	circlip \$ 37 MM		1	
15	477 298 841	circlip \$ 45,8 MM		1	
- - - E N D - - -					

Model	Year	MG	SG	Illustration	Restrictions	Update	9:02	17.08.2004	PORSCHE	PET	PORSCHE
911	89	8	13	813-20		179					

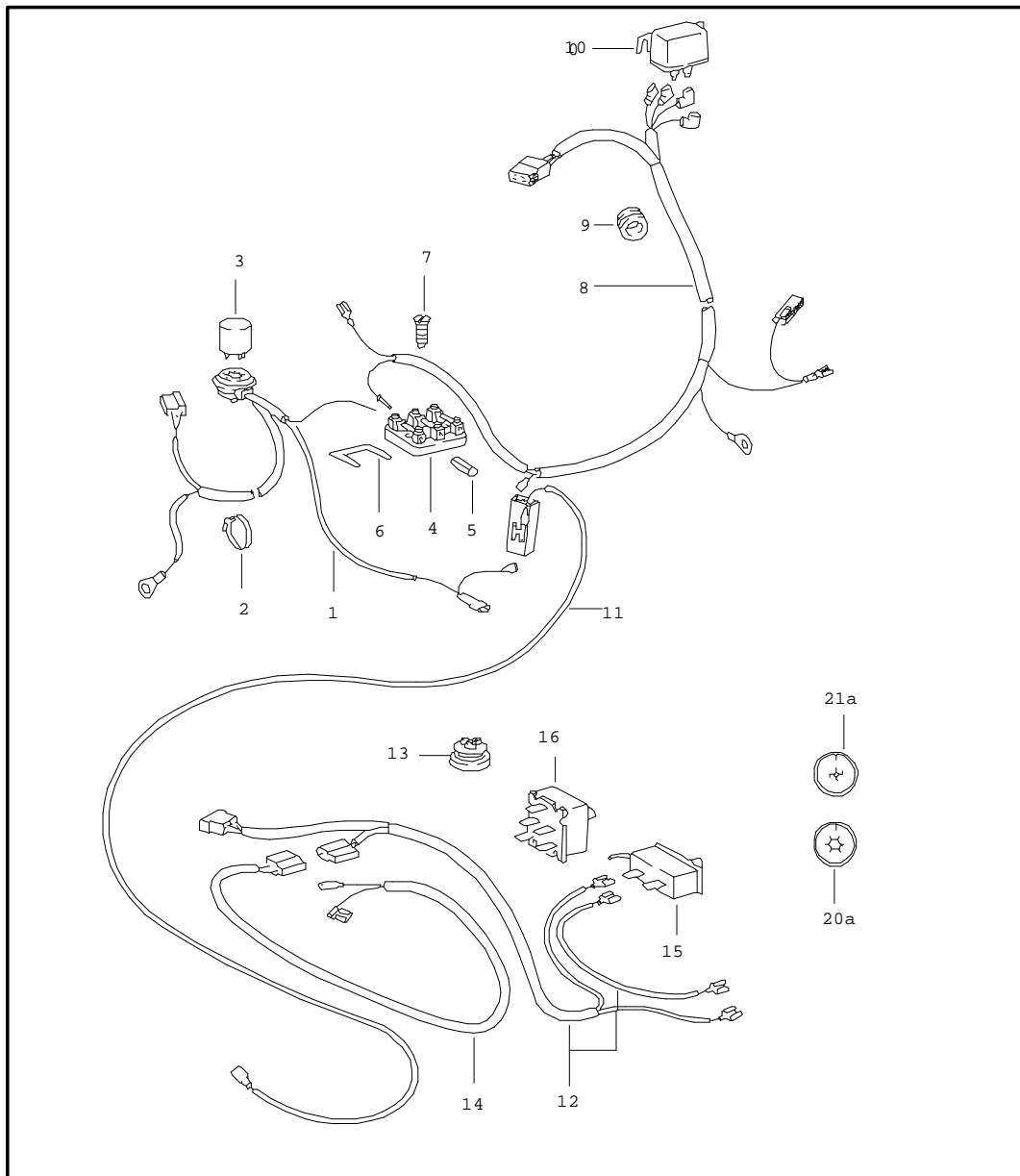


Pos	Part Number	Name	Remarks	Qty	Model
1	-	compressor mounting driving mechanism			
		see group 1/09/00			
2	930 126 015 00	bracket		1	
2A	999 062 073 02	stud M 8 X 16		1	
2B	900 081 019 02	stud M 8 X 25		1	
3	N 010 289 4	hexagon-head bolt M 10 X 32		2	
4	A 900 025 008 09	washer		2	
4	900 025 008 09	washer 10,5		2	
4A	900 075 085 02	hexagon-head bolt M 8 X 20		2	TURBO
4B	900 025 007 02	washer 8,4 X 16 X 1,6		2	
4C	N 012 229 3	spring washer A 8		2	
4D	900 910 097 02	lock nut M 8		2	
5	930 126 118 01	compressor plate		1	CARRERA
(5)	930 126 119 00	compressor plate		1	TURBO
6	N 010 335 5	hexagon-head bolt M 8 X 35		3	
7	900 223 001 02	washer 8,4		4	
8	900 076 025 02	hexagon nut M 8		2	
9	N 040 237 1	hexagon-head bolt M 8 X 55		1	
10	900 025 007 02	washer 8,4		1	

Model	Year	MG	SG	Illustration	Restrictions	Update	9:02	17.08.2004	PORSCHE	PET	PORSCHE
911	89	8	13	813-20		179					

Pos	Part Number	Name	Remarks	Qty	Model	Pos	Part Number	Name	Remarks	Qty	Model
11	N 010 388 3	hexagon-head bolt M 8 X 90		3							
12	900 025 007 02	washer 8,4		3							
13	911 126 124 02	strut		1							
14	900 076 025 02	hexagon nut M 8		1							
15	900 025 007 02	washer 8,4		1							
16	964 126 125 20	nut		1							
17	930 126 116 02	angle		1							
18	999 218 009 02	pan-head screw micro-self-locking M 8 X 40		1							
19	900 025 007 02	washer 8,4		1							
20	999 062 127 02	stud BM 6 X 25		2							
21	900 910 096 02	lock nut M 6		2							
22	N 011 666 7	washer 6,4		2							
23	999 192 254 50	v-belt		1	CARERA						
23	999 192 255 50	v-belt		1	TURBO						
24	-	see group 1/02/00									
25	-	see group 1/02/00									
26	930 126 135 01	washer 6,1		2							
		- - - E N D - - -									

Model	Year	MG	SG	Illustration	Restrictions	Update	9:03	17.08.2004	PORSCHE	PET	PORSCHE
911	89	8	13	813-40		179					

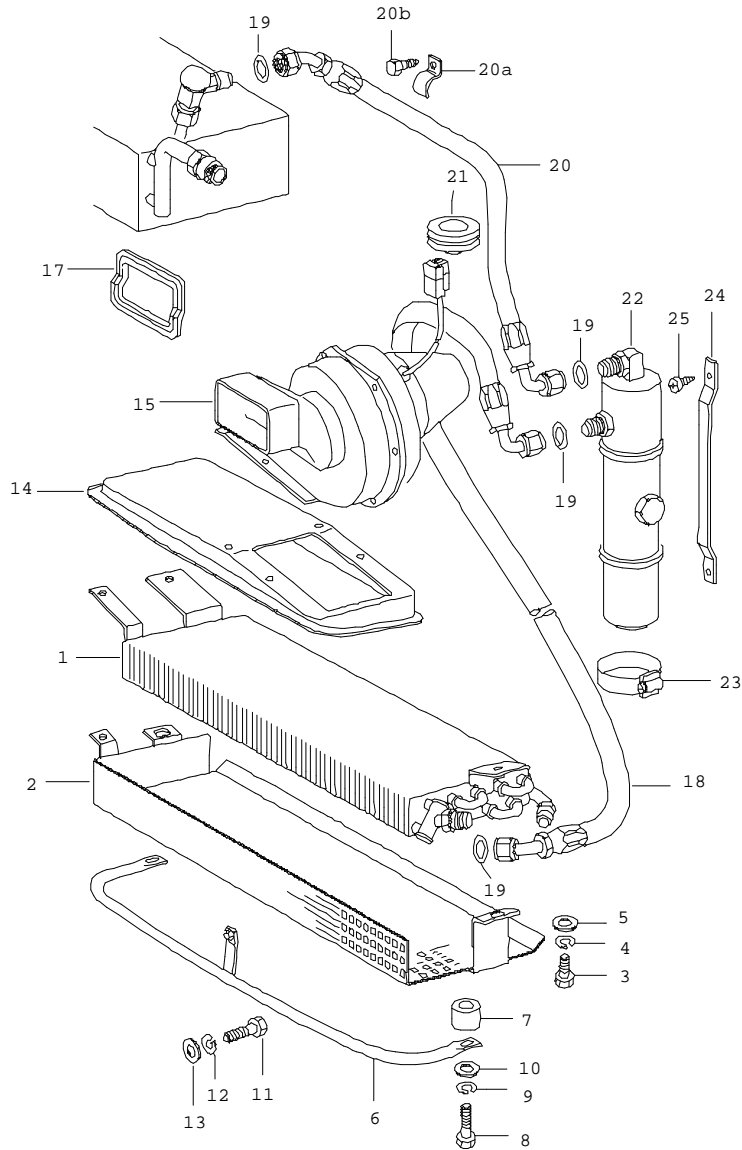


Pos	Part Number	Name	Remarks	Qty	Model
		electric equipment for air conditioner			
1	-	see group 9/02/12			
2	999 513 008 40	tie-wrap		1	
3	-	see group 9/02/00			
4	911 612 093 05	fuse box triple		1	
5	-	see group 9/02/00			
6	-	see group 9/02/00			
7	900 146 009 02	oval-head screw AM 4 X 12		2	
8	911 612 078 04	wiring harness NR.78		1	
9	999 702 119 50	rubber sleeve		1	
10	A 911 615 103 01	relay	-88	1	
(10)	911 615 103 01	relay with fuse		1	
12	-	see group 9/02/14			
13	-	see group 8/13/01			
14	-	see group 8/13/05			
15	-	see group 9/03/06			
16	-	see group 9/03/06			
20A	-	see group 9/03/06			

Model	Year	MG	SG	Illustration	Restrictions	Update	9:03	17.08.2004	PORSCHE	PET	PORSCHE
911	89	8	13	813-40		179					

Pos	Part Number	Name	Remarks	Qty	Model	Pos	Part Number	Name	Remarks	Qty	Model
21A	-	see group 9/03/06 - - - E N D - - -									

Model	Year	MG	SG	Illustration	Restrictions	Update	9:03	17.08.2004	PORSCHE	PET	PORSCHE
911	89	8	13	813-45		179					

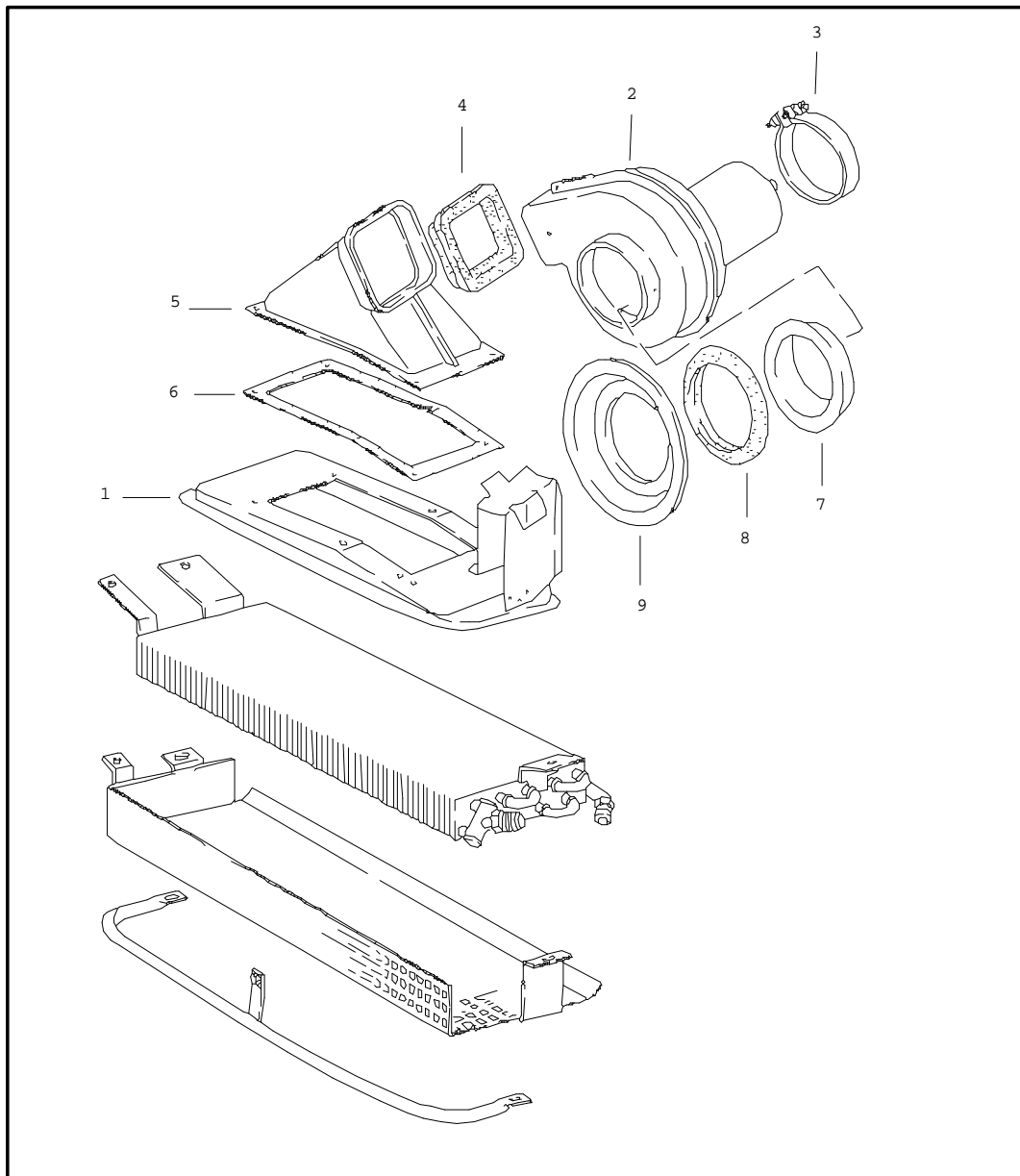


Pos	Part Number	Name	Remarks	Qty	Model
		condenser lines accessories and others	/V		
1	911 573 056 03	condenser		1	
2	911 573 058 01	stone guard		1	
3	900 075 057 02	hexagon-head bolt M 6 X 16		3	
4	N 012 007 2	lock ring B 6		3	
5	N 011 524 7	washer 6,4		3	
6	911 573 055 00	protection		1	
7	911 573 513 01	spacer		2	
8	N 040 281 1	hexagon-head bolt M 10 X 45		2	
9	900 027 016 02	lock ring B 10		2	
10	900 151 026 02	washer B 10,5		2	
11	900 075 085 02	hexagon-head bolt M 8 X 20		1	
12	900 027 015 02	lock ring B 8		1	
13	900 025 007 02	washer B 8,4		1	
14	911 501 581 01	air baffle		1	
(15)	911 624 013 01	blower		1	
16	911 573 161 00	intake manifold		1	
17	911 573 515 00	gasket		1	
18	911 573 154 03	hose line NW 8		1	
19	999 707 247 40	o-ring NW 8		4	

Model	Year	MG	SG	Illustration	Restrictions	Update	9:03	17.08.2004	PORSCHE	PET	PORSCHE
911	89	8	13	813-45		179					

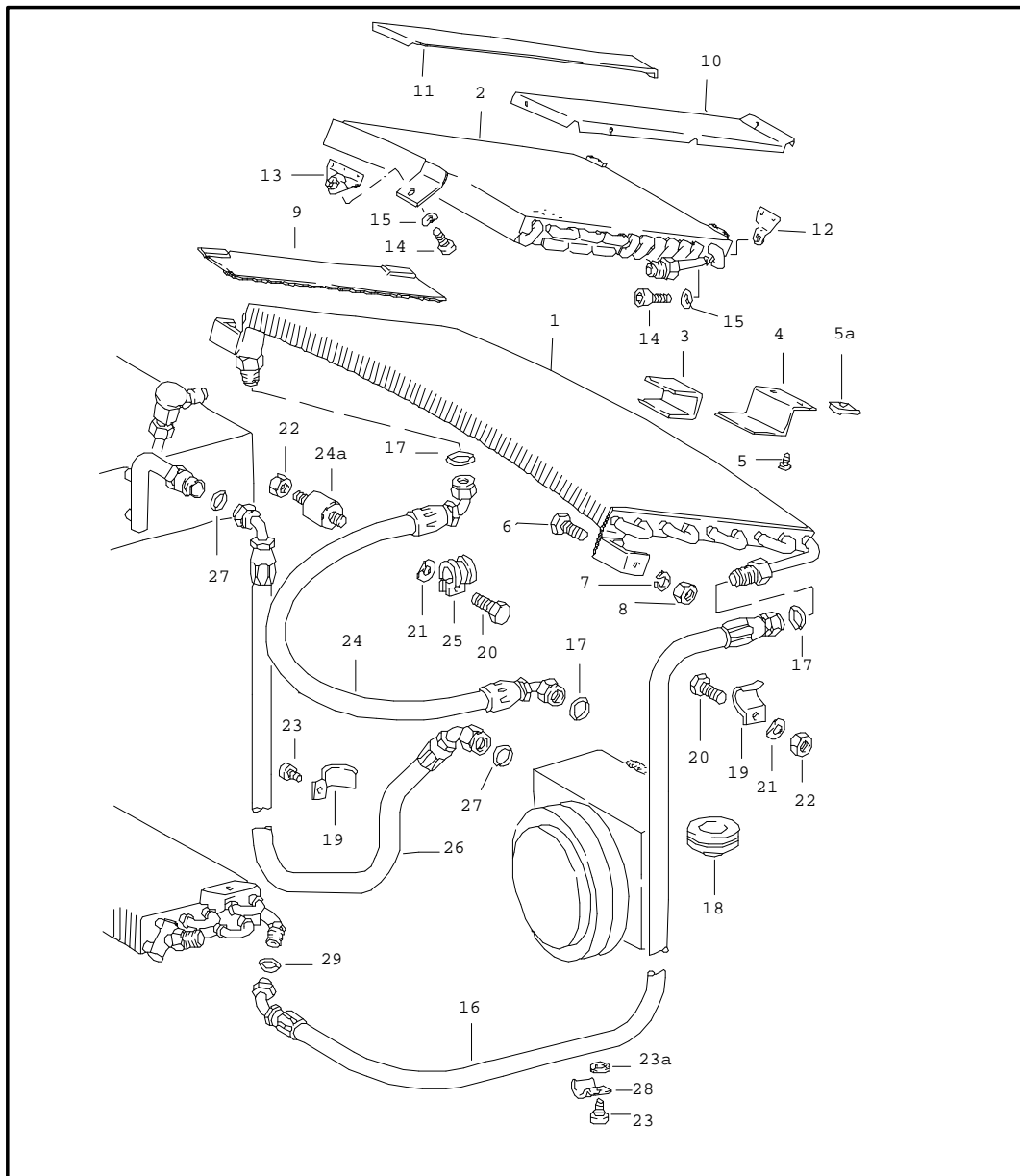
Pos	Part Number	Name	Remarks	Qty	Model	Pos	Part Number	Name	Remarks	Qty	Model
(20)	911 573 152 03	hose line NW 8	/LL	1							
(20)	911 573 159 01	hose line NW 10	/RL	1							
20A	999 511 061 02	clamp		4							
20B	900 187 025 02	hexagon-head tapping screw B 5,5 X 13		2							
20B	900 075 145 02	hexagon-head bolt M 5 X 16		2							
-	900 076 027 02	hexagon nut M 5		2							
21	901 573 143 00	rubber sleeve		1							
22	A 911 573 939 03	desiccator		1							
22	911 573 939 03	fluid tank		1							
23	901 573 141 00	hose clamp		2							
24	901 573 140 00	holder		1							
25	900 143 029 02	oval-head sheetmetal screw B 4,2 X 16		2							
		- - - E N D - - -									

Model	Year	MG	SG	Illustration	Restrictions	Update	9:03	17.08.2004	PORSCHE	PET	PORSCHE
911	89	8	13	813-50		179					



Pos	Part Number	Name	Remarks	Qty	Model
		fan front	/RL		M 573
1	930 501 057 00	air baffle		1	
2	911 624 151 05	fan		1	
3	999 512 244 02	clip		1	
4	930 573 171 01	gasket		1	
5	930 573 065 00	air duct		1	
6	930 573 173 00	gasket		1	
7	930 573 511 00	intake manifold		1	
8	930 573 517 01	gasket		1	
9	930 501 593 00	insert		1	
- - - E N D - - -					

Model	Year	MG	SG	Illustration	Restrictions	Update	9:03	17.08.2004	PORSCHE	PET	PORSCHE
911	89	8	13	813-55		179					

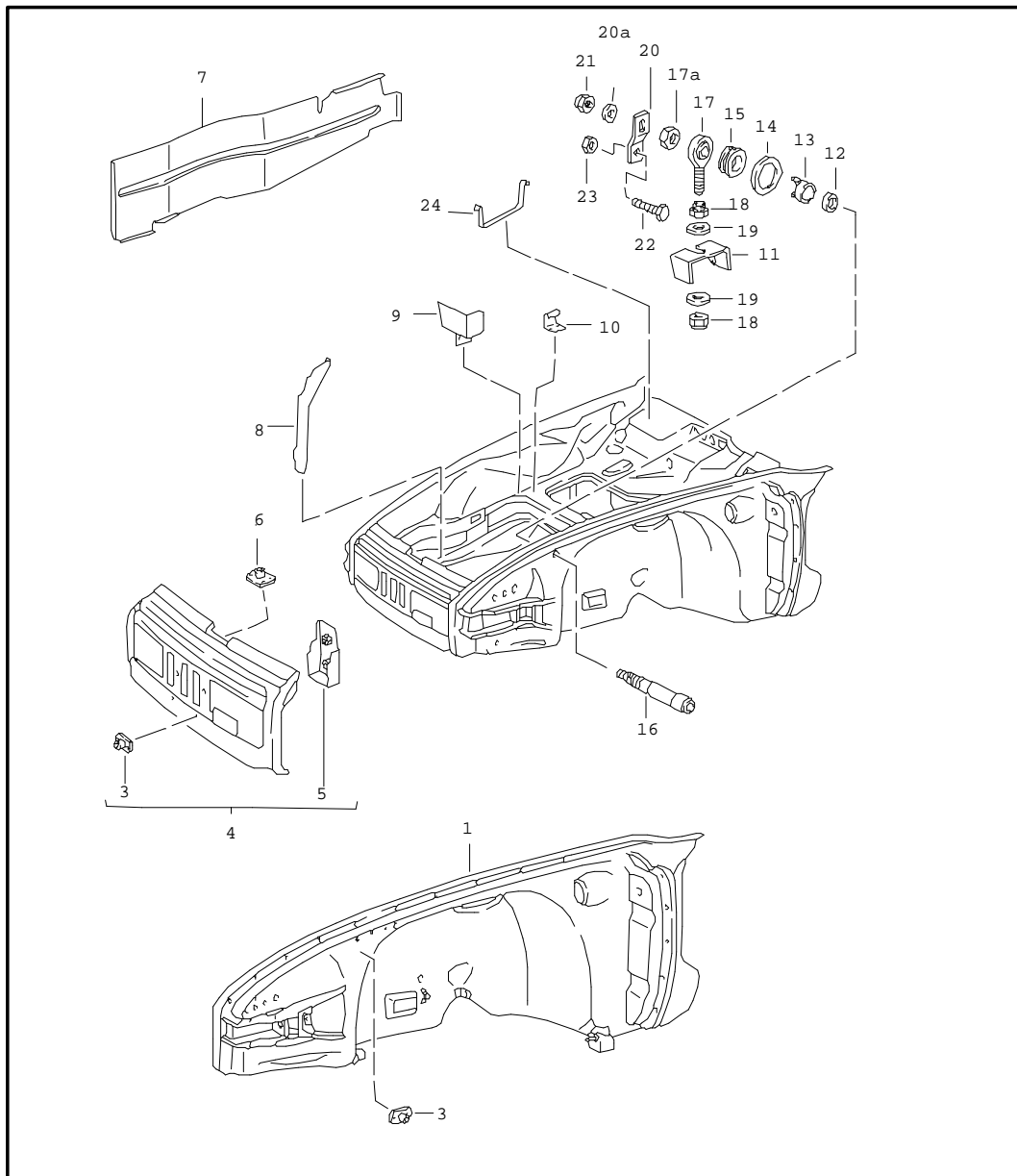


Pos	Part Number	Name	Remarks	Qty	Model
		condenser lines accessories and others	/H		
(1)	911 573 057 04	condenser use also: POS.3		1	CARRERA
2	930 573 053 01	condenser		1	TURBO
3	911 573 141 00	moltoprene shim 9 X 65 X 85		1	CARRERA
(4)	911 573 147 00	bracket		1	CARRERA
(4)	911 573 059 00	holder		1	
5	900 143 031 02	oval-head sheetmetal screw B 4,2 X 9,5		2	
5A	999 591 575 02	speed nut B 4,2		2	CARRERA
6	900 075 145 02	hexagon-head bolt M 5 X 15		2	
7	900 025 003 02	washer A 5,3		2	
8	999 507 248 02	speed nut M 5		2	
9	911 573 027 00	cover plate		2	
10	930 512 263 00	cover plate		1	TURBO
11	930 512 264 00	cover plate	/R	1	TURBO
12	930 512 047 01	support	1	2	TURBO/ CARRERA M 49
13	930 512 258 00	angle		1	TURBO
14	900 067 008 02	pan-head screw M 6 X 12		3	TURBO
15	N 012 226 5	spring washer A 6		3	TURBO
16	911 573 153 05	hose line NW 10		1	CARRERA
(16)	930 573 151 03	hose line NW 10		1	TURBO

Model	Year	MG	SG	Illustration	Restrictions	Update	9:03	17.08.2004	PORSCHE	PET	PORSCHE
911	89	8	13	813-55		179					

Pos	Part Number	Name	Remarks	Qty	Model	Pos	Part Number	Name	Remarks	Qty	Model
17	999 707 250 40	o-ring NW 10		3		24	911 573 150 03	hose line NW 10		1	CARRERA
18	901 573 143 00	rubber sleeve		1		(24)	930 573 150 04	hose line F >>93KS0 00117 F >>93KS0 20070 F >>93KS0 10063		1	TURBO TURBO COUPE TURBO CABRIO TURBO TARGA
18	901 573 143 00	rubber sleeve	/RL	3							
(19)	911 573 144 00	clamp		18		(24)	930 573 150 05	hose line NW 10 F 93KS0 00118>> F 93KS0 20071>> F 93KS0 10064>>		1	TURBO TURBO COUPE TURBO CABRIO TURBO TARGA
(19)	999 511 061 02	clamp		10							
20	N 010 207 6	hexagon-head bolt M 5 X 12		2							
20	N 010 209 5	hexagon-head bolt M 5 X 25 F >>93KS0 00117 F >>93KS0 20070 F >>93KS0 10063		1	TURBO	-	999 513 023 40	tie-wrap 12-27		1	
						24A	999 703 312 00	bonded rubber buffer 15 X 20		1	
20	900 075 145 02	hexagon-head bolt M 5 X 16 F 93KS0 00118>> F 93KS0 20071>> F 93KS0 10064>>		1	TURBO	25	999 511 080 02	clamp		2	
						25	N 020 601 1	clip		1	TURBO
-	911 573 517 00	spacer sleeve F >>93KS0 00117 F >>93KS0 20070 F >>93KS0 10063		2	TURBO TURBO COUPE TURBO CABRIO TURBO TARGA	-	911 635 093 00	retaining bracket	/LL	1	
						-	911 573 445 00	support	/LL	1	
						-	N 010 239 11	hexagon-head bolt M 8 X 18	/LL	2	
21	N 012 005 3	lock ring B 5		11		-	900 025 007 02	washer A 8,4	/LL	3	
22	N 011 005 14	hexagon nut M 5		11		(26)	911 573 149 03	hose line NW 13		1	
22	900 076 025 02	hexagon nut M 8		1		-	911 573 525 02	hose line	/RL	1	
23	900 187 115 02	screw B 5,5 X 16		16		27	999 707 251 40	o-ring NW 13		2	
(23)	900 075 145 02	hexagon-head bolt M 5 X 16		11		28	911 573 145 00	clamp		10	
						(28)	999 511 080 02	clamp		2	
23A	999 704 134 40	sealing washer		13		29	999 707 247 40	o-ring 5/8"		1	
-	901 543 423 00	protective edging F >>93KS0 00117 F >>93KS0 20070 F >>93KS0 10063		1	TURBO TURBO COUPE TURBO CABRIO TURBO TARGA				- - - E N D - - -		

Model	Year	MG	SG	Illustration	Restrictions	Update	9:03	17.08.2004	PORSCHE	PET	PORSCHE
911	89	8	80	880-00		179					

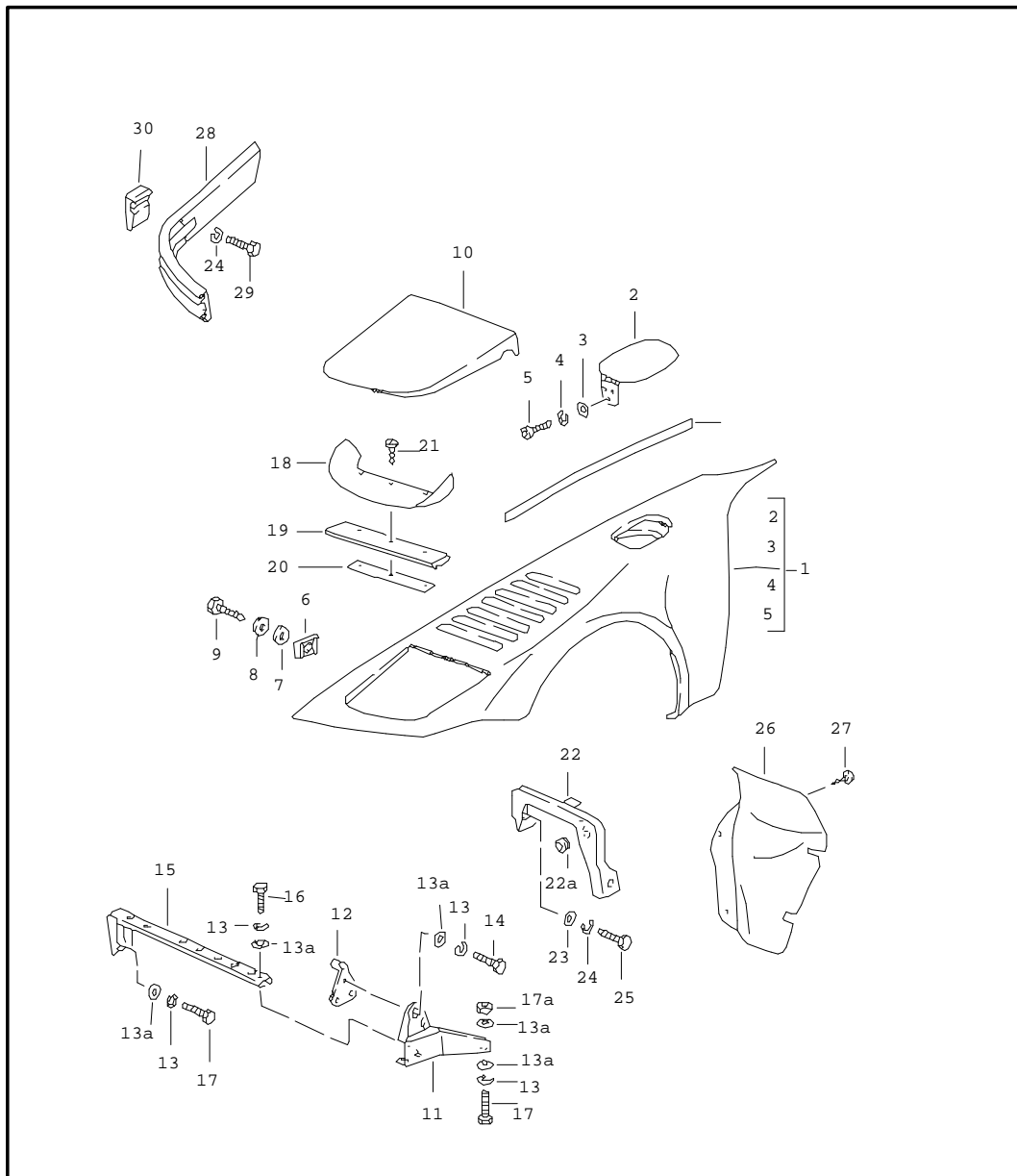


Pos	Part Number	Name	Remarks	Qty	Model
		special model special series-slant nose interior panelling front	88-		TURBO M506
1	911 599 501 91	wheel housing	/L	1	
(1)	911 599 501 96	wheel housing order also: POS. 3	/R	1	
				2	
3	999 505 003 02	speed nut M 6		X	
4	930 501 915 00	cross panel order also: POS. 6		1	
				2	
5	911 503 937 00	bearing bracket	/L	1	
(5)	911 503 938 00	bearing bracket FUER SCHEINWERFERWELLE	/R	1	
6	999 505 004 02	speed nut M 8		2	
8	911 503 947 00	reinforcement plate cross panel	/V	1	
9	911 722 921 00	support for jack		1	
10	911 722 921 01	support for rubber strap		1	
11	911 503 939 00	weldable piece		2	
12	928 303 120 01	shaft seal		2	
13	911 503 941 00	mounting sealing ring		2	
14	999 025 062 02	washer 15 X 40 X 2,5 AUF 25 MM AUFBOHREN		2	
15	999 702 031 50	rubber sleeve 16 X 25 X 8,5		2	
16	911 503 935 00	bolt		2	
17	939 347 301 00	swivel head		2	

Model	Year	MG	SG	Illustration	Restrictions	Update	9:03	17.08.2004	PORSCHE	PET	PORSCHE
911	89	8	80	880-00		179					

Pos	Part Number	Name	Remarks	Qty	Model	Pos	Part Number	Name	Remarks	Qty	Model
17A	999 084 012 02	lock nut		2							
18	999 084 013 02	lock nut M 12 X 1,5		4							
19	900 025 009 02	washer A 13		4							
20	911 503 949 00	driver		2							
20A	900 031 005 02	washer 10,5		2							
21	999 084 016 02	lock nut M 10		2							
22	900 075 029 09	hexagon-head bolt M 8 X 25		2							
23	999 084 020 02	lock nut M 8		2							
24	930 201 931 00	clip		1							
		- - - E N D - - -									

Model	Year	MG	SG	Illustration	Restrictions	Update	9:04	17.08.2004	PORSCHE	PET	PORSCHE
911	89	8	80	880-20		179					

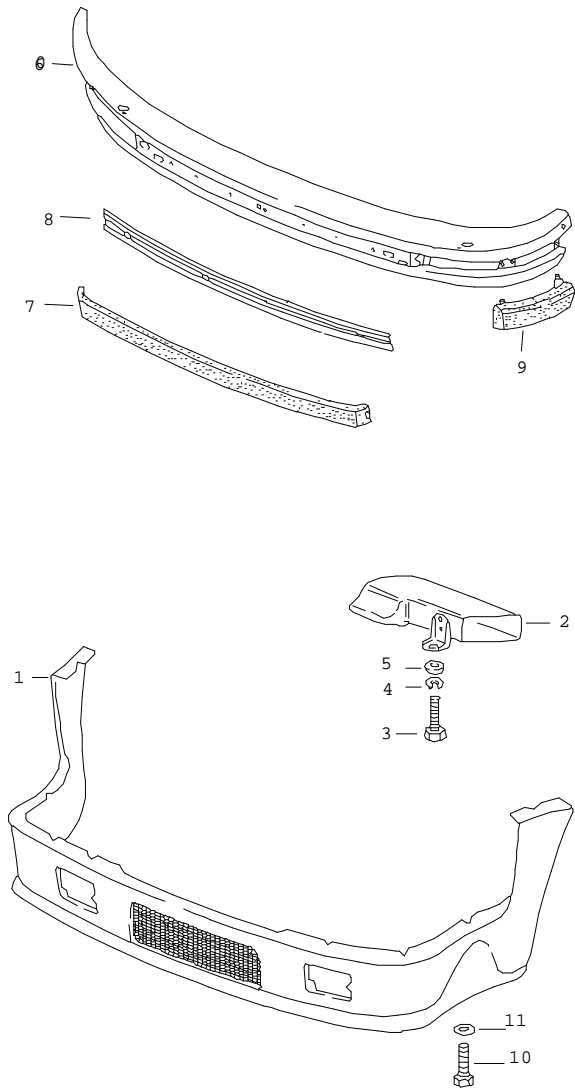


Pos	Part Number	Name	Remarks	Qty	Model
		special model special series-slant nose exterior panelling front wing	88-		TURBO M 506
1	930 503 031 05	front wing with ventilation	/L	1	
(1)	930 503 031 06	front wing without ventilation	/L	1	
(1)	930 503 032 05	front wing with ventilation	/R	1	
(1)	930 503 032 06	front wing without ventilation	/R	1	
2	911 504 931 00	cover		1	
3	900 025 003 02	washer A 5,3		3	
4	N 012 005 3	lock ring B 5		3	
5	900 067 051 02	pan-head screw M 5 X 10		3	
6	999 591 327 02	speed nut B 6,3		32	
7	999 704 157 40	washer		32	
7A	000 043 129 00	sealing strap		X	
8	900 151 003 02	washer A 6,4		32	
9	900 187 010 02	tapping screw BZ 6,3 X 19		32	
10	911 503 911 00	cover	/L	1	
(10)	911 503 912 00	cover	/R	1	
11	911 503 953 00	bearing bracket	/L	1	
(11)	911 503 954 00	bearing bracket	/R	1	
12	914 750 271 10	bearing bracket		2	
13	N 012 006 4	lock ring B 6		18	

Model	Year	MG	SG	Illustration	Restrictions	Update	9:04	17.08.2004	PORSCHE	PET	PORSCHE
911	89	8	80	880-20		179					

Pos	Part Number	Name	Remarks	Qty	Model	Pos	Part Number	Name	Remarks	Qty	Model
13A	N 011 666 7	washer B 6,4		22		27	900 143 007 02	tapping screw B 4,2 X 13		4	
14	N 010 210 13	hexagon-head bolt M 6 X 10		6		31	930 505 921 00	front embellisher with grille		1	
15	911 503 925 01	strut	/L	1		32	900 075 341 02	screw M 6 X 25		8	
(15)	911 503 926 00	strut	/R	1							
16	999 072 005 09	hexagon-head bolt M 6 X 12		2				- - - E N D - - -			
17	900 075 057 02	hexagon-head bolt M 6 X 16		10							
17A	900 910 012 02	lock nut M 6		8							
18	911 503 943 00	cover	/L	1							
(18)	911 503 944 00	cover	/R	1							
19	911 503 983 00	sealing rubber		2							
20	911 503 985 00	cover plate		2							
21	900 143 049 07	tapping screw BZ 3,5 X 9,5		10							
22	911 503 931 01	support for water reservoir	/L	1							
(22)	911 504 080 00	bracket for horn	/R	1							
22A	999 702 020 50	rubber sleeve		2							
23	900 025 007 02	washer A 8,4		4							
24	900 027 015 02	lock ring B 8		8							
25	900 075 087 02	hexagon-head bolt M 8 X 16		4							
26	911 503 965 00	cover	/L	1							
(26)	911 503 966 00	cover	/R	1							

Model	Year	MG	SG	Illustration	Restrictions	Update	9:04	17.08.2004	PORSCHE	PET	PORSCHE
911	89	8	80	880-25		179					

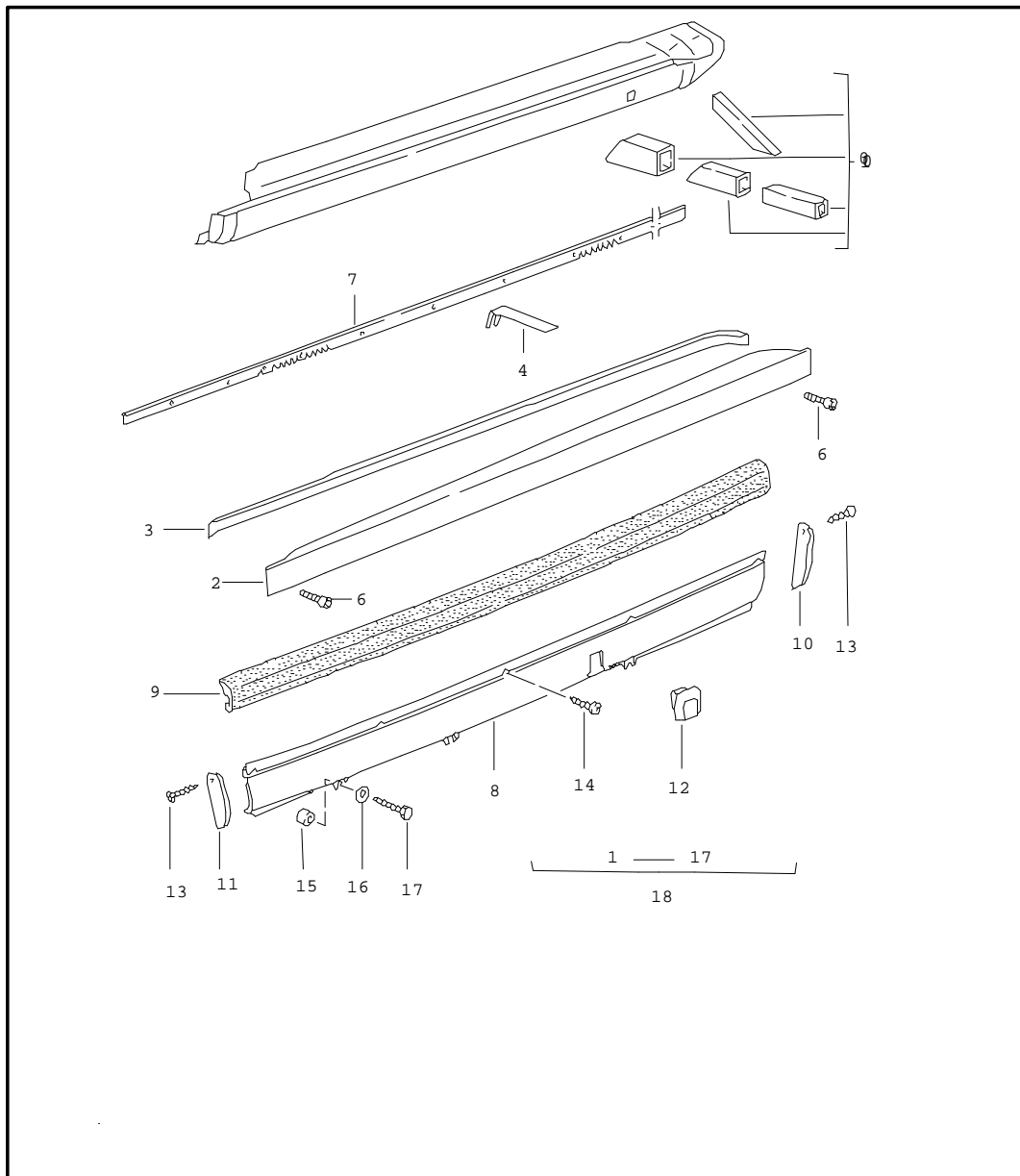


Pos	Part Number	Name	Remarks	Qty	Model
		special model special series-slant nose exterior panelling front bumper	88-		TURBO M 506
1	930 505 921 00	front embellisher with grille		1	
2	911 512 919 00	intake manifold		1	
3	900 075 057 02	hexagon-head bolt M 6 X 16		2	
4	N 012 006 4	lock ring B6		2	
5	N 011 666 7	washer B 6,4		2	
6	930 505 941 00	bumper without position light		1	
(6)	930 505 941 01	bumper with position light		1	
7	911 505 947 00	protection for bumper with position light		1	
8	911 505 149 02	insert for bumper with position light		1	
9	911 505 937 00	cover	/L	1	
(9)	911 505 938 00	cover for bumper with position light	/R	1	
10	900 075 341 02	screw M6 X 25		8	
11	900 151 008 02	washer B8,4		8	

Model	Year	MG	SG	Illustration	Restrictions	Update	9:04	17.08.2004	PORSCHE	PET	PORSCHE
911	89	8	80	880-25		179					

Pos	Part Number	Name	Remarks	Qty	Model	Pos	Part Number	Name	Remarks	Qty	Model
		- - - E N D - - -									

Model	Year	MG	SG	Illustration	Restrictions	Update	9:04	17.08.2004	PORSCHE	PET	PORSCHE
911	89	8	80	880-30		179					

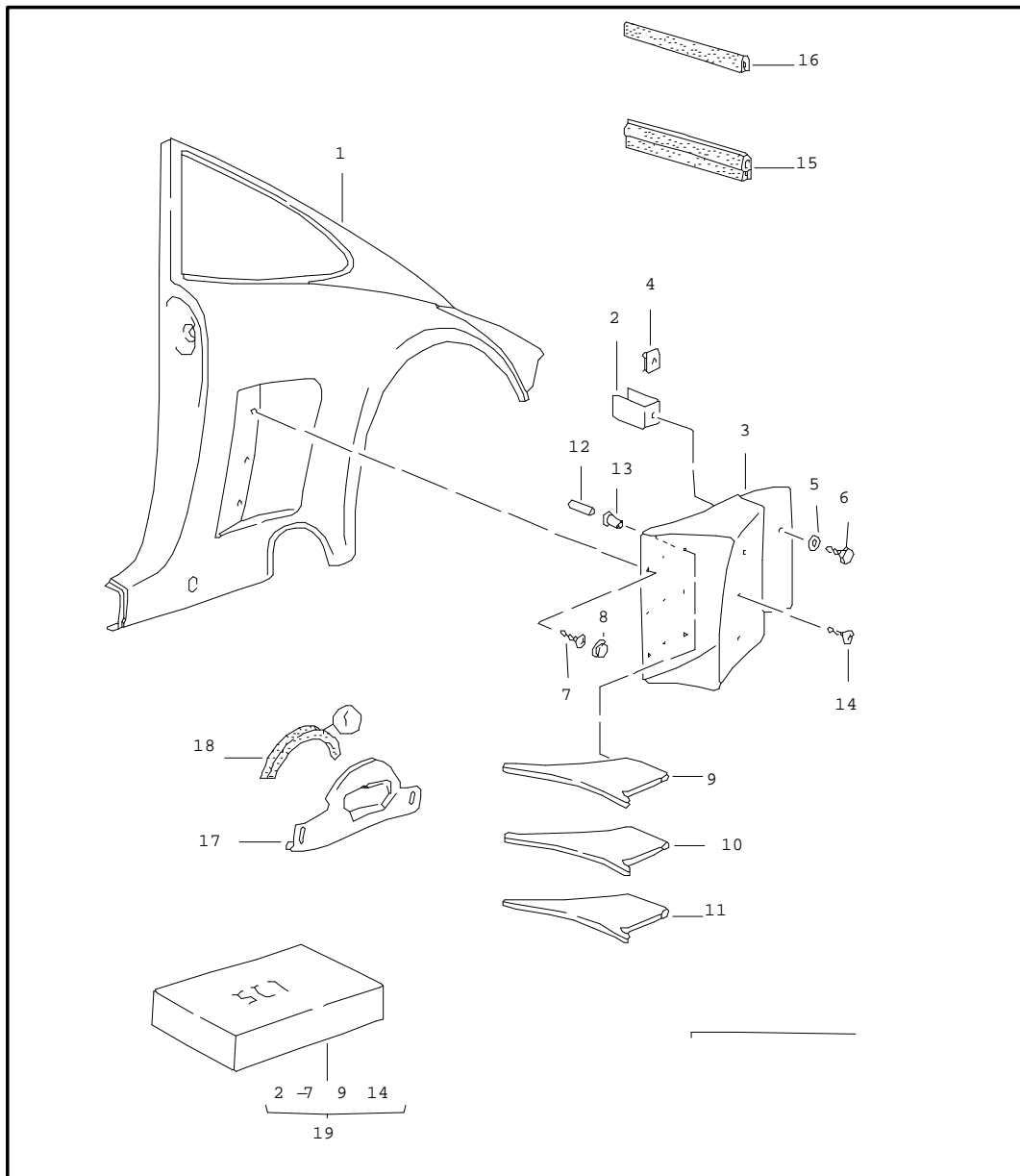


Pos	Part Number	Name	Remarks	Qty	Model
		special model special series-slant nose exterior panelling centre	88-		TURBO M 506
1	911 501 195 01	extension jacking point		2	
2	930 503 947 00	entrance lining	/L	1	
(2)	930 503 948 00	entrance lining	/R	1	
3	930 503 957 00	reinforcement plate	/L	1	
(3)	930 503 958 00	reinforcement plate	/R	1	
4	930 503 951 00	support		6	
6	900 014 066 02	pan-head screw M 5 X 18		4	
7	937 571 121 01	piping		2	
	041	black			
8	911 559 113 01	trim	/L	1	
(8)	911 559 114 01	trim	/R	1	
9	930 559 103 01	rubber moulding		2	
10	PCG 559 941 04	end piece	/H/L /V/R	2	
11	PCG 559 941 04	end piece	/V/L /H/R	2	
12	911 559 149 02	cap		2	
13	900 143 049 07	tapping screw BZ 3,5 X 9,5		8	
14	900 143 007 02	tapping screw B 4,2 X 13		10	
15	911 559 145 00	spacer sleeve 10 MM		X	
15	911 559 145 01	spacer sleeve 5 MM		X	
16	900 151 007 02	washer B 7,4		6	

Model	Year	MG	SG	Illustration	Restrictions	Update	9:04	17.08.2004	PORSCHE	PET	PORSCHE
911	89	8	80	880-30		179					

Pos	Part Number	Name	Remarks	Qty	Model	Pos	Part Number	Name	Remarks	Qty	Model
17	900 187 032 02	tapping screw BZ 6,3 X 32	/L	3							
17	900 187 129 02	tapping screw B 6,3 X 38	/R	3							
18	930 503 917 00	entrance lining	/L	1							
(18)	930 503 918 00	entrance lining installation set complete	/R	1							
		- - - E N D - - -									

Model	Year	MG	SG	Illustration	Restrictions	Update	9:04	17.08.2004	PORSCHE	PET	PORSCHE
911	89	8	80	880-40		179					

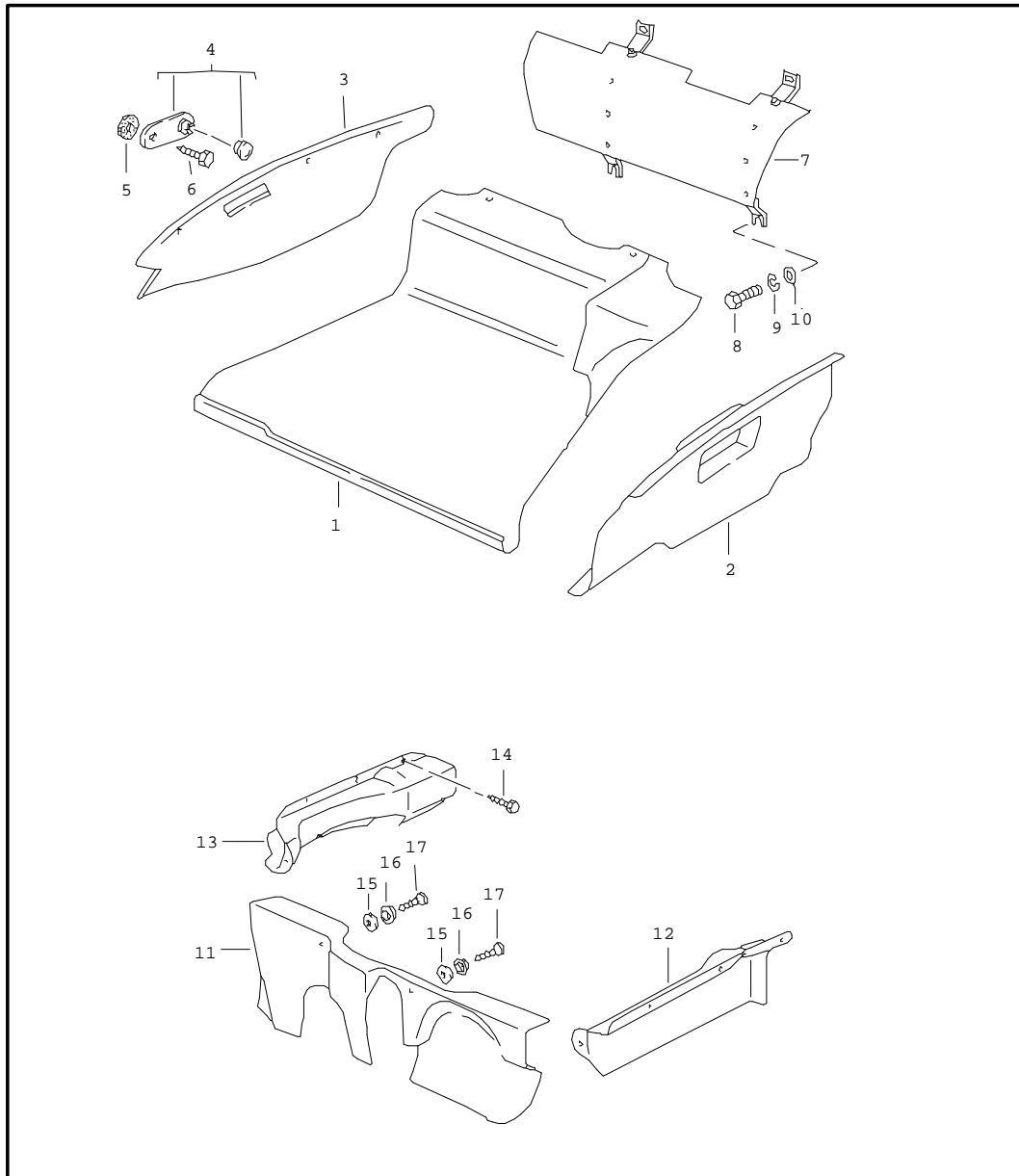


Pos	Part Number	Name	Remarks	Qty	Model
		special model special series-slant nose exterior panelling rear	88-		TURBO M 506
1	930 503 961 02	side section	/L -88	1	TURBO COUPE
(1)	930 503 962 02	side section	/R -88	1	TURBO COUPE
(1)	930 503 961 42	side section	/L	1	TURBO TARGA
(1)	930 503 962 42	side section	/R	1	TURBO TARGA
(1)	930 503 961 61	side section	/L	1	TURB.CABRIO
(1)	930 503 962 61	side section	/R	1	TURB.CABRIO
2	911 503 979 00	support		2	
3	911 503 915 10	air well	/L	1	
(3)	911 503 916 10	air well	/R	1	
4	999 591 327 02	speed nut B 6,3		2	
5	N 011 666 7	washer B 6,4		2	
6	900 187 010 02	tapping screw BZ 6,3 X 19		2	
7	311 867 167	tapping screw	/R	4	
8	311 867 169	cap	/R	4	
9	930 503 949 00	bar upper	/L	1	
10	930 503 949 01	bar centre	/L	1	
11	930 503 949 02	bar lower	/L	1	
(9)	930 503 950 02	bar	/R	1	
(10)	930 503 950 01	bar	/R	1	
(11)	930 503 950 00	bar	/R	1	
12	900 309 004 00	roll pin		X	
13	999 702 129 40	sleeve		24	

Model	Year	MG	SG	Illustration	Restrictions	Update	9:04	17.08.2004	PORSCHE	PET	PORSCHE
911	89	8	80	880-40		179					

Pos	Part Number	Name	Remarks	Qty	Model	Pos	Part Number	Name	Remarks	Qty	Model
14	900 145 071 07	tapping screw B 3,5 X 13		6							
(17)	930 504 754 00	spring cover	/R	1							
17	930 504 753 00	spring cover	/L	1							
18	911 559 511 00	gasket for spring cover		2							
19	930 503 901 00	installation set		1							
		- - - E N D - - -									

Model	Year	MG	SG	Illustration	Restrictions	Update	9:04	17.08.2004	PORSCHE	PET	PORSCHE
911	89	8	80	880-50		179					



Pos	Part Number	Name	Remarks	Qty	Model
		special model special series-slant nose interior equipment front trunk	88-		TURBO M 506
1	911 551 925 00	front-compartment carpet	/LL	1	
	4FD	anthracite			
2	911 551 921 00	front-compartment carpet	/L	1	
	4FD	anthracite			
3	911 551 923 00	front-compartment carpet	/R	1	
	4FD	anthracite			
(1)	911 799 551 31	front-compartment carpet carpet set	/RL -88	1	
	70E	black			
4	911 503 075 00	desk pad MIT DRUCKKNOPF		6	
5	999 704 157 40	washer		6	
6	900 187 010 02	tapping screw BZ 6,3 X 19		6	
7	911 551 067 03	luggage boot trim	/LL	1	
(7)	911 551 068 01	luggage boot trim	/RL	1	
8	900 075 260 02	hexagon-head bolt M 6 X 16		4	
9	N 012 007 2	lock ring A 6		4	
10	900 151 003 02	washer A 6,4		4	
11	911 503 963 00	cover	/V	1	
12	911 503 961 00	cover	/L	1	
13	911 503 962 00	cover for linkage pop-up headlight	/R	1	

Model	Year	MG	SG	Illustration	Restrictions	Update	9:04	17.08.2004	PORSCHE	PET	PORSCHE
911	89	8	80	880-50		179					

Pos	Part Number	Name	Remarks	Qty	Model	Pos	Part Number	Name	Remarks	Qty	Model
14	900 145 044 07	tapping screw B 4,2 X 22		4							
15	A 999 591 116 07	cone washer 4,5		2							
16	999 591 836 17	push button		2							
17	900 145 071 07	tapping screw B 3,5 X 13		2							
		- - - E N D - - -									

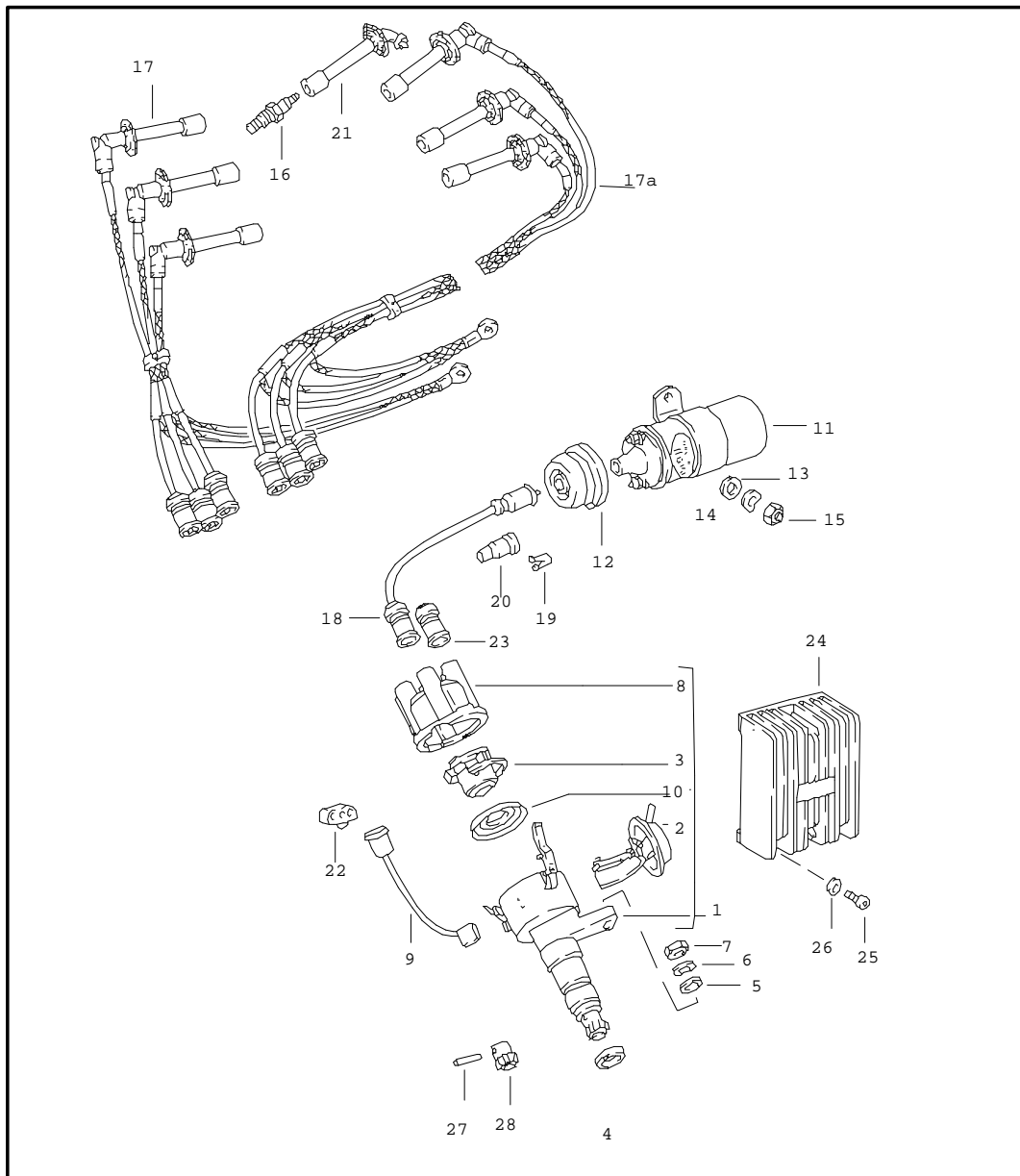
Model	Year	MG	SG	Illustration	Restrictions	Update	9:31	17.08.2004
911	89	8	98	REP		179		

Pos	Part Number	Name	Remarks	Qty	Model
>>	> 911 538 901 13	repair kits set of locks comprising: steering lock outer door handle with lock cylinder outer door handle with lock cylinder glove compartment lock lock replacement key key tag order also:	/L /R	1 1 1 1 1 1 3 1	COUPE
-	944 538 041 00	key lamp		2	
>>	> 911 538 901 13	set of locks comprising: steering lock outer door handle with lock cylinder outer door handle with lock cylinder glove compartment lock lock key tag replacement key fuel tank cap lockable order also:	/L /R	1 1 1 1 1 1 3 1	TARGA/CABRIO
-	944 538 041 00	key lamp		2	
>>	> 911 538 901 11	set of locks comprising: steering lock outer door handle with lock cylinder outer door handle with lock cylinder glove compartment lock lock key tag replacement key fuel tank cap lockable order also:	/L /R	1 1 1 3 1 1 3 1	CABRIO M 419
-	944 538 041 00	key lamp		2	

Model	Year	MG	SG	Illustration	Restrictions	Update	9:31	17.08.2004
911	89	8	98	REP		179		

Pos	Part Number	Name	Remarks	Qty	Model
>>	> 911 731 931 01	repair kit door mirror passenger's door	/RL/L	1	
>>	> 911 731 932 01	repair kit door mirror driver's door comprising: mirror housing mirror base mounting piece hexagon-head bolt M 5 X 10 desk pad reinforcement tubular rivet pan-head screw micro-self-locking AM 5 X 35 cap guide tube adjusting washer lower compression spring adjusting washer upper gasket order also:	/RL/R	1 1 1 1 3 1 1 1 2 1 1 1 1 1 1 1 1	
-	944 731 027 01	electric installation set		X	
-	944 731 035 02	mirror glass plan		X	
-	944 731 035 04	mirror glass plan		X	(S)
-	944 731 035 03	mirror glass convex		X	
-	944 731 035 05	mirror glass convex		X	(S)
- - - E N D - - -					

Model	Year	MG	SG	Illustration	Restrictions	Update	9:05	17.08.2004	PORSCHE	PET	PORSCHE
911	89	9	01	901-00		179					

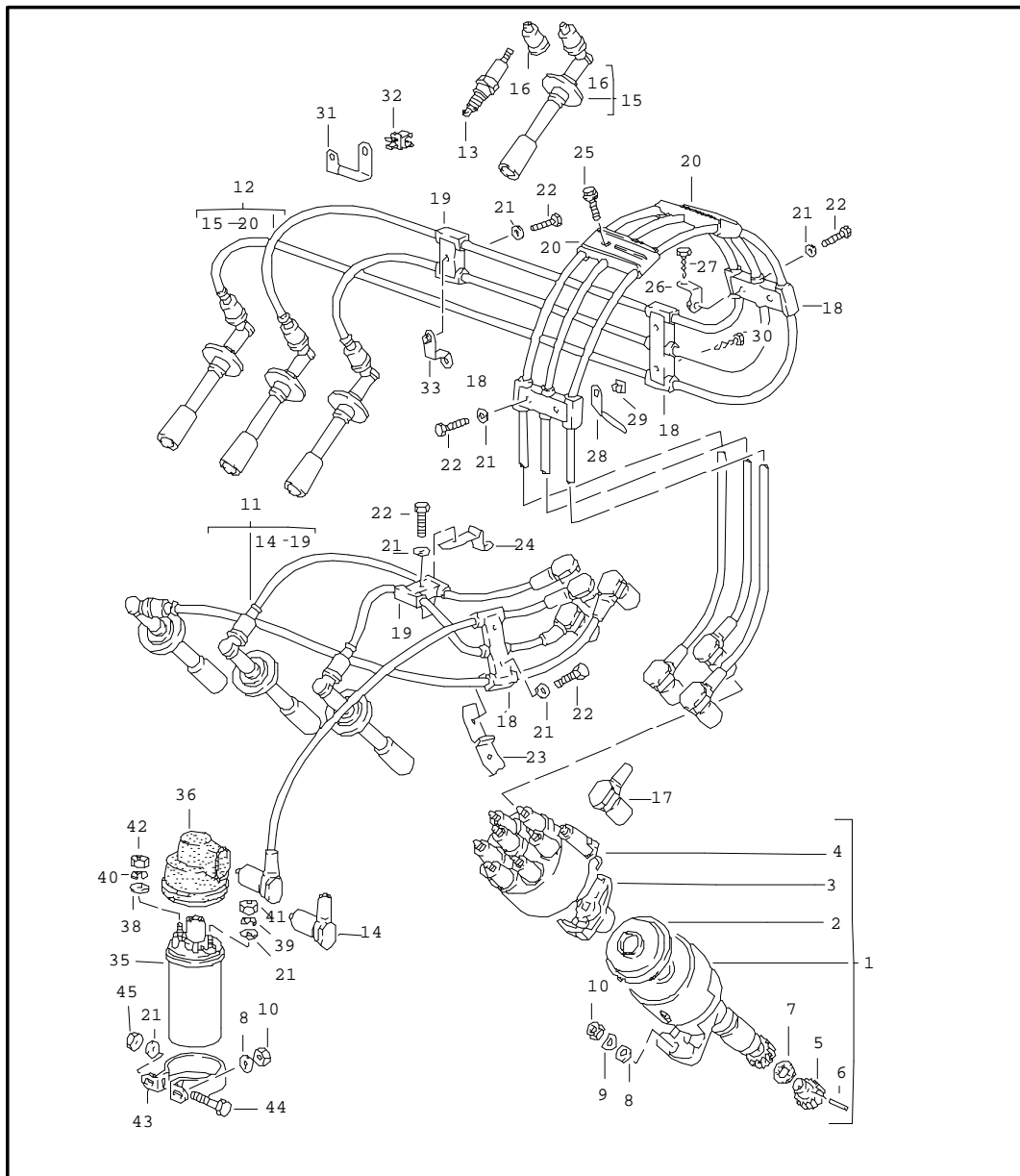


Pos	Part Number	Name	Remarks	Qty	Model
		engine electr. equipment 1			TURBO
1	> 930 602 103 00	distributor		1	M30.66
2	930 602 917 00	vacuum unit		1	
3	930 602 901 01	rotor		1	M30.66
4	911 602 102 01	sealing ring		1	
5	900 025 007 02	washer B 8,4		1	
6	N 012 241 8	spring washer B 8		1	
7	900 076 025 02	hexagon nut M 8		1	
8	930 602 904 00	distributor cap		1	
9	930 602 907 01	electric line		1	
10	930 602 909 00	dust cover		1	
11	901 602 502 00	ignition transformer		1	
12	911 602 801 00	protection cap		1	
13	900 025 007 02	washer 8,4		2	
14	N 012 241 8	spring washer B 8		2	
15	900 076 025 02	hexagon nut M 8		2	
16	* 999 170 128 90	spark plug W3DPO		6	
17	911 609 011 07	set ignition cables	/L	1	
17A	911 609 010 07	set ignition cables	/R	1	
18	911 609 061 07	ignition lead		1	
19	911 609 510 00	cable plug		1	
20	999 659 001 40	protective cap		1	
21	911 602 315 00	spark plug socket		6	
22	901 609 591 00	cable holder		4	

Model	Year	MG	SG	Illustration	Restrictions	Update	9:05	17.08.2004	PORSCHE	PET	PORSCHE
911	89	9	01	901-00		179					

Pos	Part Number	Name	Remarks	Qty	Model	Pos	Part Number	Name	Remarks	Qty	Model
23	122 035 281	suppressor cap		7							
24	> 930 602 702 00	switch unit		1							
25	N 014 703 2	pan-head screw M 6 X 18		3							
26	900 031 011 02	washer A 6,4		3							
27	930 602 922 00	pin		1							
28	930 602 422 03	pinion		1							
		- - - E N D - - -									

Model	Year	MG	SG	Illustration	Restrictions	Update	9:05	17.08.2004	PORSCHE	PET	PORSCHE
911	89	9	01	901-02		179					

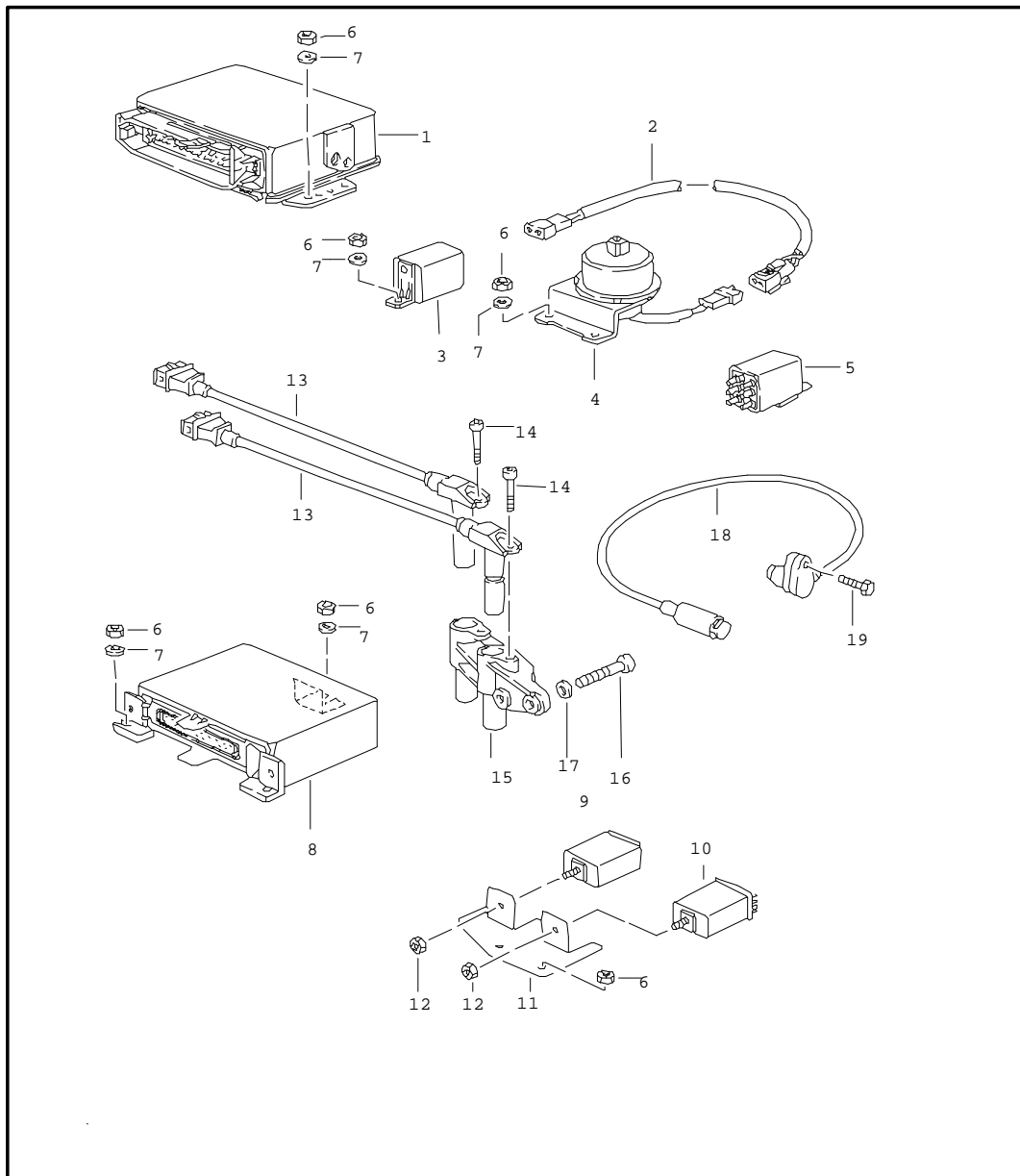


Pos	Part Number	Name	Remarks	Qty	Model
		electr. equipment-engine 2			CARRERA M30.20/25/26
1	> 930 602 023 00	distributor		1	
2	930 602 909 00	dust cover		1	
3	930 602 902 01	rotor		1	
4	930 602 919 00	distributor cap		1	
5	930 602 424 00	pinion		1	
6	930 602 922 00	pin		1	
7	911 602 102 01	sealing ring		1	
8	900 025 007 02	washer B 8,4		3	
9	N 012 241 8	spring washer B 8		1	
10	900 076 025 02	hexagon nut M 8		3	
11	911 602 011 04	set ignition cables	/L	1	M30.20/25
11	911 602 011 03	set ignition cables	/L	1	M30.26
12	911 602 012 03	set ignition cables	/R	1	
13	* 999 170 157 90	spark plug WR4CC		6	M30.20/26
13	* 999 170 156 90	spark plug WR7DC		6	M30.25
14	928 602 131 00	ignition coil plug		1	
15	911 602 315 00	spark plug socket		6	
16	999 659 001 40	protective cap		6	
17	928 602 557 01	suppressor cap		7	
18	911 609 591 00	cable holder		10	
19	911 609 593 00	cable holder		4	
20	911 602 185 00	cable holder		2	
21	900 025 003 02	washer A 5,3		6	

Model	Year	MG	SG	Illustration	Restrictions	Update	9:05	17.08.2004	PORSCHE	PET	PORSCHE
911	89	9	01	901-02		179					

Pos	Part Number	Name	Remarks	Qty	Model	Pos	Part Number	Name	Remarks	Qty	Model
22	N 010 264 4	hexagon-head bolt M 5 X 20		5							
23	911 602 081 01	support		1							
24	911 602 083 01	support		1							
25	999 075 048 02	hexagon-head bolt M 6 X 22		2							
26	911 602 085 00	retaining bracket		1							
27	900 187 015 02	tapping screw		1							
28	911 602 086 00	retaining bracket		1							
29	999 591 592 40	special nut		1							
30	900 187 017 02	tapping screw		1							
31	911 602 183 03	cable holder		1							
32	928 602 554 00	cable clip		1							
33	911 602 083 02	support		1	M30.26						
35	944 602 115 00	ignition coil		1							
36	944 602 801 00	protection cap		1							
38	N 011 524 7	washer A 6,4		1							
39	N 012 005 3	lock ring B 5		1							
40	N 012 006 4	lock ring B 6		1							
41	N 011 005 14	hexagon nut M 5		1							
42	900 076 010 02	hexagon nut M 5		1							
43	944 602 117 00	clamp		1							
44	900 146 045 02	oval-head screw M 5 X 45		1							
45	N 011 005 14	hexagon nut M 5		1							
- - - E N D - - -											

Model	Year	MG	SG	Illustration	Restrictions	Update	9:05	17.08.2004	PORSCHE	PET	PORSCHE
911	89	9	01	901-03		179					

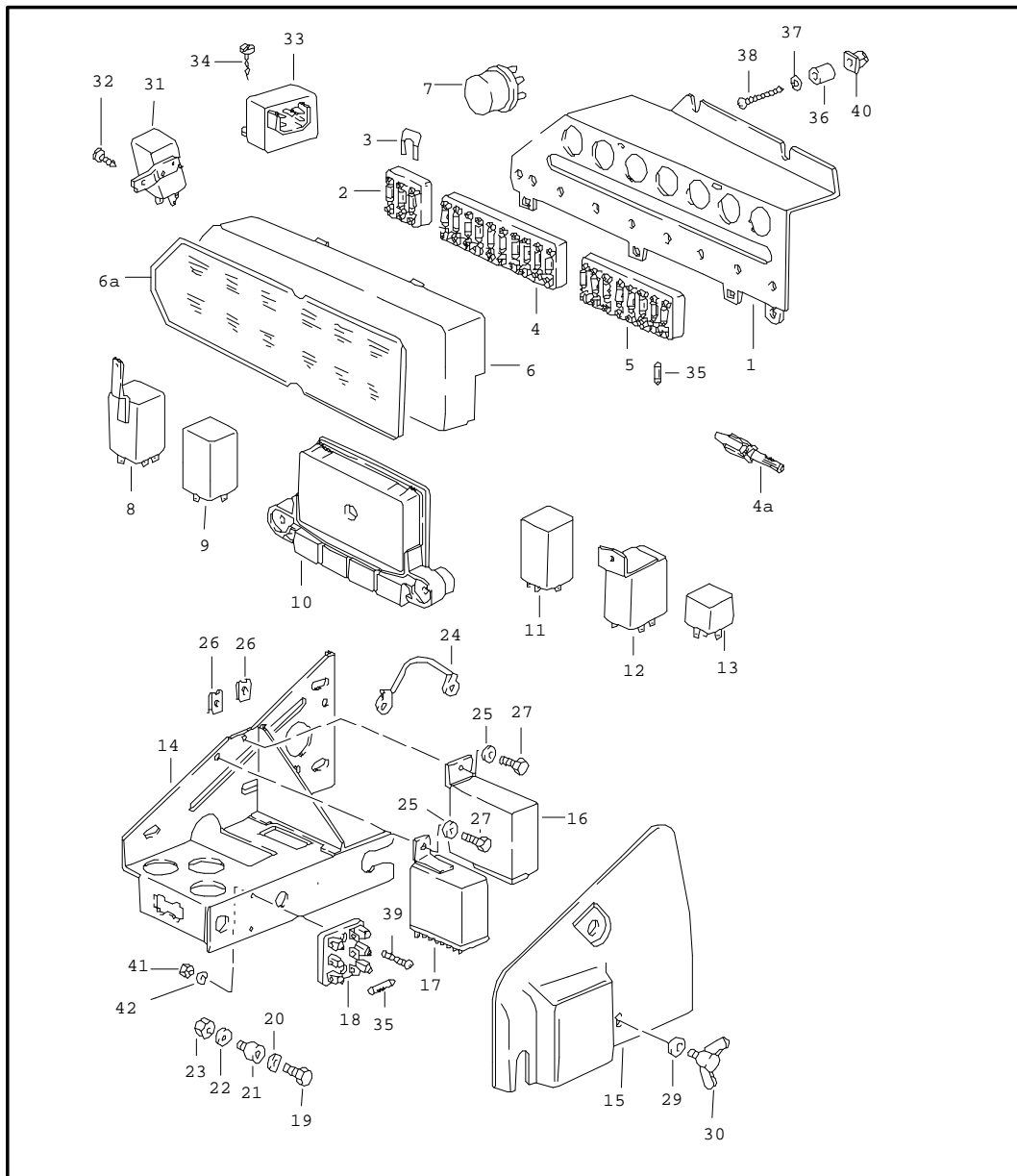


Pos	Part Number	Name	Remarks	Qty	Model
		electr.equipment-engine 3			
1	> 911 618 111 18	control unit - dme -		1	M30.20/26
1	911 618 111 15	control unit - dme -		1	M30.20/26 M 637
1	> 911 618 111 19	control unit - dme -		1	M30.20 M 240
1	911 618 111 17	control unit - dme -		1	M30.20 M 240/637
1	> 911 618 111 20	control unit - dme -		1	M30.25
1	911 618 111 16	control unit - dme -		1	M30.25 M 637
2	911 612 421 00	adapter for - dme - wiring harness		1	
3	911 618 154 00	switch unit - dme -		1	
4	944 606 051 00	box		1	
5	911 618 121 00	relay for speed disconnection		1	M30.26
6	900 076 010 02	hexagon nut M 6		7	
7	N 011 524 7	washer A 6,4		7	
13	911 606 215 01	pulse sender speed sensor		2	
14	N 014 740 2	pan-head screw M 6 X 16		2	
15	930 101 089 01	support for pulse sender		1	
16	N 010 217 9	hexagon-head bolt M 6 X 20		2	

Model	Year	MG	SG	Illustration	Restrictions	Update	9:05	17.08.2004	PORSCHE	PET	PORSCHE
911	89	9	01	901-03		179					

Pos	Part Number	Name	Remarks	Qty	Model	Pos	Part Number	Name	Remarks	Qty	Model
17	N 011 524 7	washer A 6,4		2							
18	911 606 108 00	timing mark sender for t.d.c.		1							
19	900 067 089 02	pan-head screw M 6 X 25		1 1							
		- - - E N D - - -									

Model	Year	MG	SG	Illustration	Restrictions	Update	9:05	17.08.2004	PORSCHE	PET	PORSCHE
911	89	9	02	902-00		179					



Pos	Part Number	Name	Remarks	Qty	Model
		control units relay fuse box			
1	911 612 197 00	plate		1	
2	911 612 093 03	fuse box triple		1	CARRERA
3	901 612 835 01	connecting rail		3	
4	911 612 086 02	fuse box 10-fold		1	
4A	928 612 479 00	fuse holder		1	CABRIO, M 439
-	900 321 004 90	fuse 2,5 A		1	CABRIO, M 439
5	911 612 087 01	fuse box 8-fold		1	
6	911 612 161 08	cover		1	
6A	911 612 243 02	indication sticker	-88	1	CARRERA
6A	911 612 243 03	indication sticker	89-	1	CARRERA
6A	930 612 243 02	indication sticker	-88	1	TURBO
6A	930 612 243 03	indication sticker	89-	1	TURBO
7	911 615 108 01	standard type relay red		X	
7	911 615 109 01	standard type relay black		X	
(7)	944 615 112 02	relay for window opener		1	
8	911 618 121 00	relay speed disconnection		1	M30.26
(8)	930 606 918 00	relay speed disconnection		1	M30.66 M 148
(8)	911 615 118 01	relay for mass air flow boost pressure		1	M30.66/68
9	111 953 227 D	flasher relay		1	

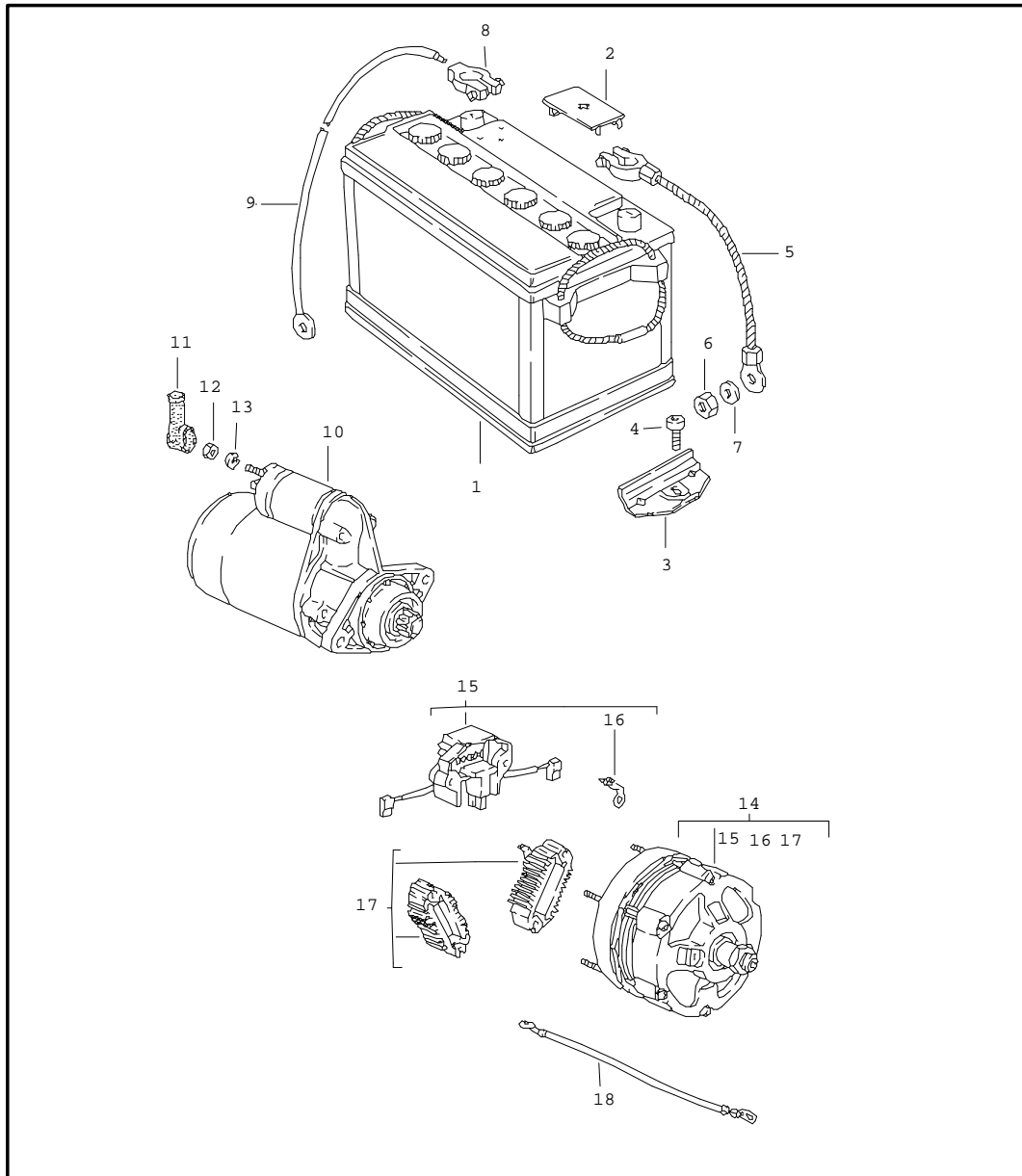
Model	Year	MG	SG	Illustration	Restrictions	Update	9:05	17.08.2004	PORSCHE	PET	PORSCHE
911	89	9	02	902-00		179					

Pos	Part Number	Name	Remarks	Qty	Model	Pos	Part Number	Name	Remarks	Qty	Model
(9)	911 618 103 00	flasher relay for cars with trailer coupling		1		21	999 703 384 00	silentbloc		3	
(9)	911 618 102 01	relay for seat belt		1		22	900 031 011 02	washer 6,4		3	
(9)	911 618 102 00	warning time relay for seat belt		1	(USA)(SA)	23	900 910 096 02	lock nut VM 6		3	
10	911 618 313 00	control unit for convertible top see technical information GR.6, NR. 6/96		1	M 439	24	911 612 008 00	ground strap		1	
(10)	911 618 231 00	control unit for reduced light		1	M 061 (GB)	25	900 151 028 02	washer B 4,3 X 12		2	
11	928 618 113 01	relay for intensive windscr. washer		1	M 286	26	N 015 429 2	speed nut B 4,2 X 16,5		2	
12	930 617 117 01	relay ignition cut-off		1	TURBO	27	900 187 013 02	tapping screw BZ 4,2 X 13		2	
13	821 951 253	relay for oxygen sensor		1	CARRERA	28	N 015 429 2	speed nut B 4,2		1	
14	911 610 013 01	plate		1	CARRERA	29	900 151 003 02	washer A 6,4		2	
14	930 610 103 01	plate		1	TURBO	30	900 029 102 02	winged screw		2	
15	911 610 105 04	cover		1		31	928 618 111 00	relay headlight washer system		1	M 288
16	911 615 115 00	relay for rear window heating		1		32	N 013 968 7	tapping screw B 4,8 X 13		1	
17	911 618 153 00	relay for additional blower		1		33	911 618 149 01	pulse sender wipe interval		1	
18	911 612 093 05	fuse box triple		1	CARRERA	34	N 013 970 5	tapping screw B 4,8 X 9,5		1	
19	N 010 208 5	hexagon-head bolt M 6 X 8		3		35	N 017 121 1	safety fuse 8 AMP.		X	
20	N 012 226 5	spring washer B 6		3		35	N 017 121 5	safety fuse 25 AMP.		X	
						35	N 017 121 4	safety fuse 16 AMP.		X	
						35	900 173 006 90	safety fuse 5 AMP.		X	
						35	900 321 004 90	fuse 2,5 A		1	CABRIO M 439

Model	Year	MG	SG	Illustration	Restrictions	Update	9:05	17.08.2004	PORSCHE	PET	PORSCHE
911	89	9	02	902-00		179					

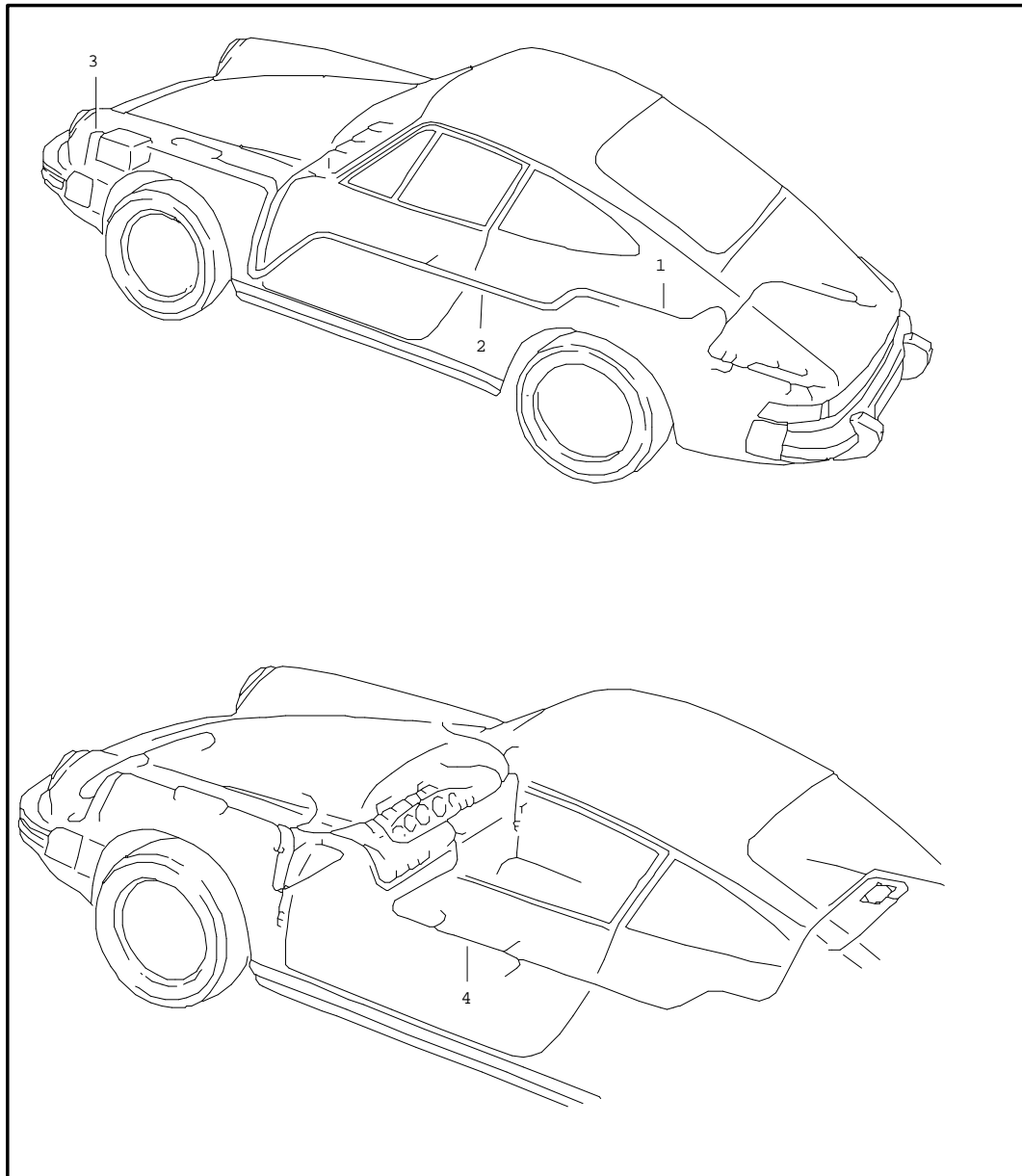
Pos	Part Number	Name	Remarks	Qty	Model	Pos	Part Number	Name	Remarks	Qty	Model
36	911 612 401 00	spacer		1							
37	900 025 002 02	washer 4,3		2							
38	900 143 076 02	oval-head sheetmetal screw 4,2 X 25		1							
39	900 146 009 02	oval-head screw 4 X 12		1							
40	999 507 401 40	special nut		1							
		- - - E N D - - -									

Model	Year	MG	SG	Illustration	Restrictions	Update	9:05	17.08.2004	PORSCHE	PET	PORSCHE
911	89	9	02	902-05		179					



Pos	Part Number	Name	Remarks	Qty	Model
		battery starter generator			
1	928 611 101 00	battery 66 AH		1	
(1)	999 611 088 20	battery 88 AH		1	
2	999 611 104 00	pole covering		1	
3	911 611 209 00	bracket		1	
4	N 014 725 2	pan-head screw M 8 X 25		1	
5	911 611 899 00	ground strap		1	
6	900 076 030 02	hexagon nut M 8 X 1		1	
7	900 025 025 02	washer 8,4		1	
8	911 611 898 01	terminal		1	
9	911 612 022 28	battery-starter cable		1	
10	> 911 604 101 01	starter		1	
11	999 659 006 50	protection cap		1	
12	900 076 025 02	hexagon nut M 8		1	
13	N 012 009 3	lock ring B 8		1	
14	> 911 603 120 05	generator		1	
15	911 603 913 01	electronic regulator		1	
16	911 603 911 00	connector		1	
17	911 603 910 01	diode plate		1	
18	911 612 233 00	ground strap		1	
- - - E N D - - -					

Model	Year	MG	SG	Illustration	Restrictions	Update	9:05	17.08.2004	PORSCHE	PET	PORSCHE
911	89	9	02	902-10		179					

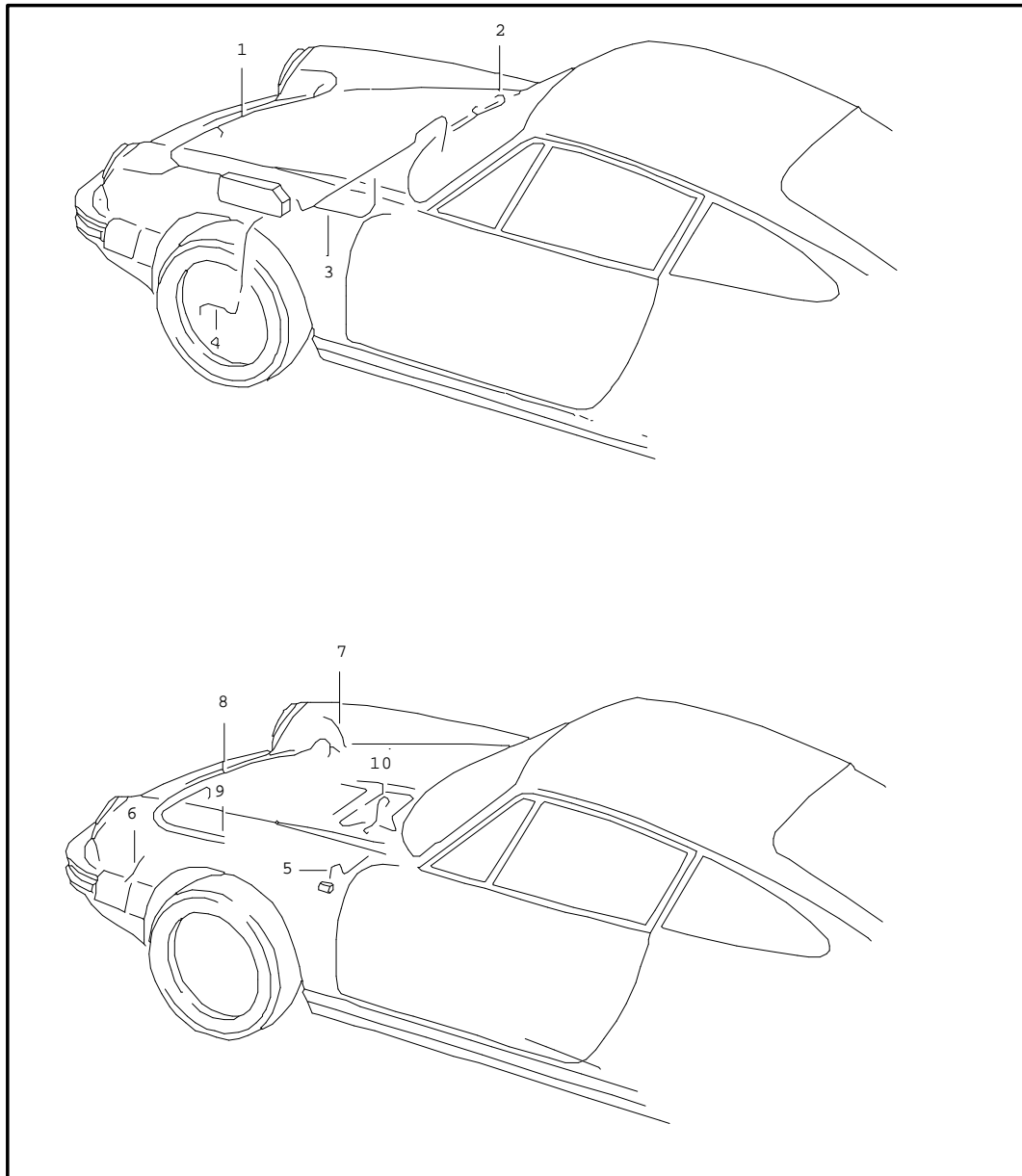


Pos	Part Number	Name	Remarks	Qty	Model
		harnesses passenger compartment starter battery boot floor plate			
1	911 612 001 36	wiring harness NR. 1 tunnel	/LL	1	CARRERA
1	930 612 001 11	wiring harness NR. 1 tunnel	/LL	1	TURBO
1	911 612 061 32	wiring harness NR. 61 tunnel	/RL	1	CARRERA
1	930 612 061 11	wiring harness NR. 61 tunnel	/RL	1	TURBO
2	911 612 022 28	battery-starter cable NR. 22		1	
3	911 611 899 00	ground cable 160 MM battery		1	
4	911 612 002 20	wiring harness NR. 2 boot floor plate	/LL 87	1	CARRERA
4	911 612 002 25	wiring harness NR. 2 boot floor plate	/LL 88	1	CARRERA
4	911 612 002 26	wiring harness NR.2 boot floor plate	/LL 89	1	CARRERA
4	930 612 002 03	wiring harness NR. 2 boot floor plate	/LL 87	1	TURBO
4	930 612 002 06	wiring harness NR. 2 boot floor plate	/LL 88	1	TURBO
4	930 612 002 07	wiring harness NR.2 boot floor plate	/LL 89	1	TURBO

Model	Year	MG	SG	Illustration	Restrictions	Update	9:05	17.08.2004	PORSCHE	PET	PORSCHE
911	89	9	02	902-10		179					

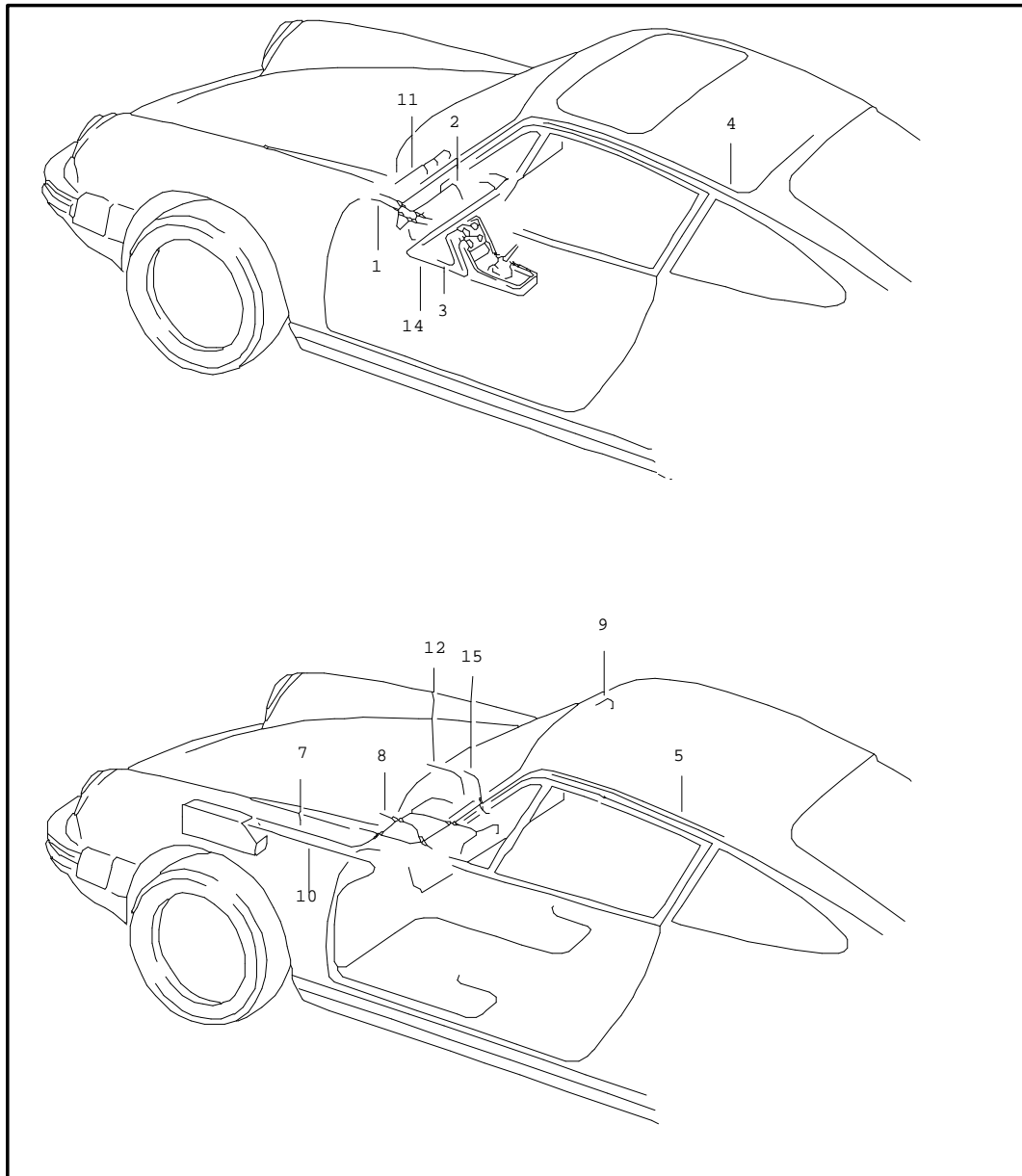
Pos	Part Number	Name	Remarks	Qty	Model	Pos	Part Number	Name	Remarks	Qty	Model
4	911 612 060 11	wiring harness NR. 60 boot floor plate	/RL 87	1	CARRERA						
4	911 612 060 14	wiring harness NR. 60 boot floor plate	/RL 88	1	CARRERA						
4	911 612 060 15	wiring harness NR.60 boot floor plate	/RL 89	1	CARRERA						
4	930 612 060 03	wiring harness NR. 60 boot floor plate	/RL 87	1	TURBO						
4	930 612 060 05	wiring harness NR. 60 boot floor plate	/RL 88	1	TURBO						
4	930 612 060 06	wiring harness NR.60 boot floor plate	/RL 89	1	TURBO						
4	911 612 148 13	wiring harness NR.148 loudspeaker		2							
		- - - E N D - - -									

Model	Year	MG	SG	Illustration	Restrictions	Update	9:06	17.08.2004	PORSCHE	PET	PORSCHE
911	89	9	02	902-12		179					



Pos	Part Number	Name	Remarks	Qty	Model
		harnesses body front section			
1	911 612 003 04	wiring harness NR. 3 headlamp		1	
2	911 612 044 21	wiring harness NR. 44 luggage boot lamp		1	
3	911 612 052 00	wiring harness NR. 52 brake pad wear indicator		1	
4	944 612 211 00	warning contact brake pad wear indicator		2	
5	911 612 177 02	wiring harness NR. 177 side turn signal		2	
6	911 612 179 01	wiring harness NR. 179 pump headlight washer system		1	
7	911 612 804 00	wiring harness NR. 804 temperature switch oil cooler		1	
8	911 612 805 00	wiring harness NR. 805 blower oil cooler		1	
9	911 612 080 04	wiring harness NR. 80 fuse box condenser blower		1	M 559
10	901 612 084 00	wiring harness NR. 28 evaporator housing		1	M 559
		- - - E N D - - -			

Model	Year	MG	SG	Illustration	Restrictions	Update	9:06	17.08.2004	PORSCHE	PET	PORSCHE
911	89	9	02	902-14		179					

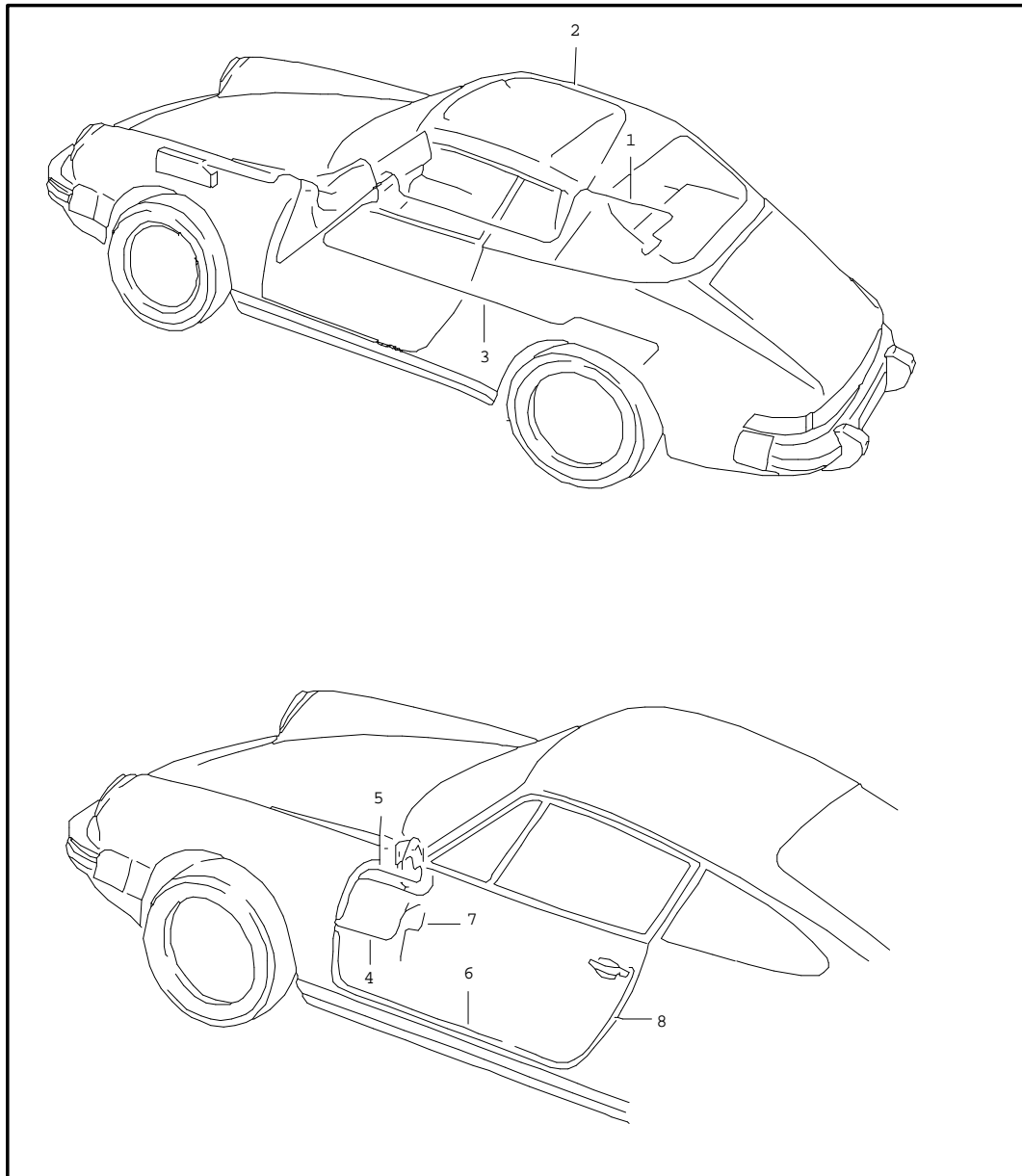


Pos	Part Number	Name	Remarks	Qty	Model
		harnesses passenger compartment body			
1	911 612 010 03	wiring harness NR. 10 switch		1	
2	911 612 011 35	wiring harness NR. 11 ignition starter switch		1	
3	911 612 014 31	wiring harness NR. 14 hazard warning light sw. rear window heating		1	
4	911 612 034 04	wiring harness NR. 34 sunroof	/LL	1	
4	911 612 064 04	wiring harness NR. 64 sunroof	/RL	1	
5	911 612 045 03	wiring harness NR. 45 interior light		1	COUPE
5	911 612 042 62	wiring harness NR. 42 interior light		1	TARGA/CABRIO
7	911 612 157 11	wiring harness NR. 157 cruise control regulator	87	1	CARRERA
(7)	911 612 157 12	wiring harness NR. 157 cruise control regulator	88-	1	
8	911 612 223 00	single line NR. 91 switch rear window wiper		1	
9	911 612 226 00	ground strap NR. 91 interior light		1	TARGA/CABRIO

Model	Year	MG	SG	Illustration	Restrictions	Update	9:06	17.08.2004	PORSCHE	PET	PORSCHE
911	89	9	02	902-14		179					

Pos	Part Number	Name	Remarks	Qty	Model	Pos	Part Number	Name	Remarks	Qty	Model
10	911 612 521 02	wiring harness NR. 521 electric adjustable and heatable front seat		1							
11	930 612 169 02	wiring harness NR. 169 indicator light -EX-		1	(J)						
12	930 612 091 00	single line NR. 91 charging control indicator diode		1	TURBO						
14	911 612 029 01	wiring harness NR. 29 thermo bi-metal switch	/LL	1	M 559						
14	911 612 029 02	wiring harness NR. 29 thermo bi-metal switch	/RL	1	M 559						
15	911 612 091 02	single line NR. 91 switch fog headlamp		1	(N)						
		- - - E N D - - -									

Model	Year	MG	SG	Illustration	Restrictions	Update	9:06	17.08.2004	PORSCHE	PET	PORSCHE
911	89	9	02	902-16		179					

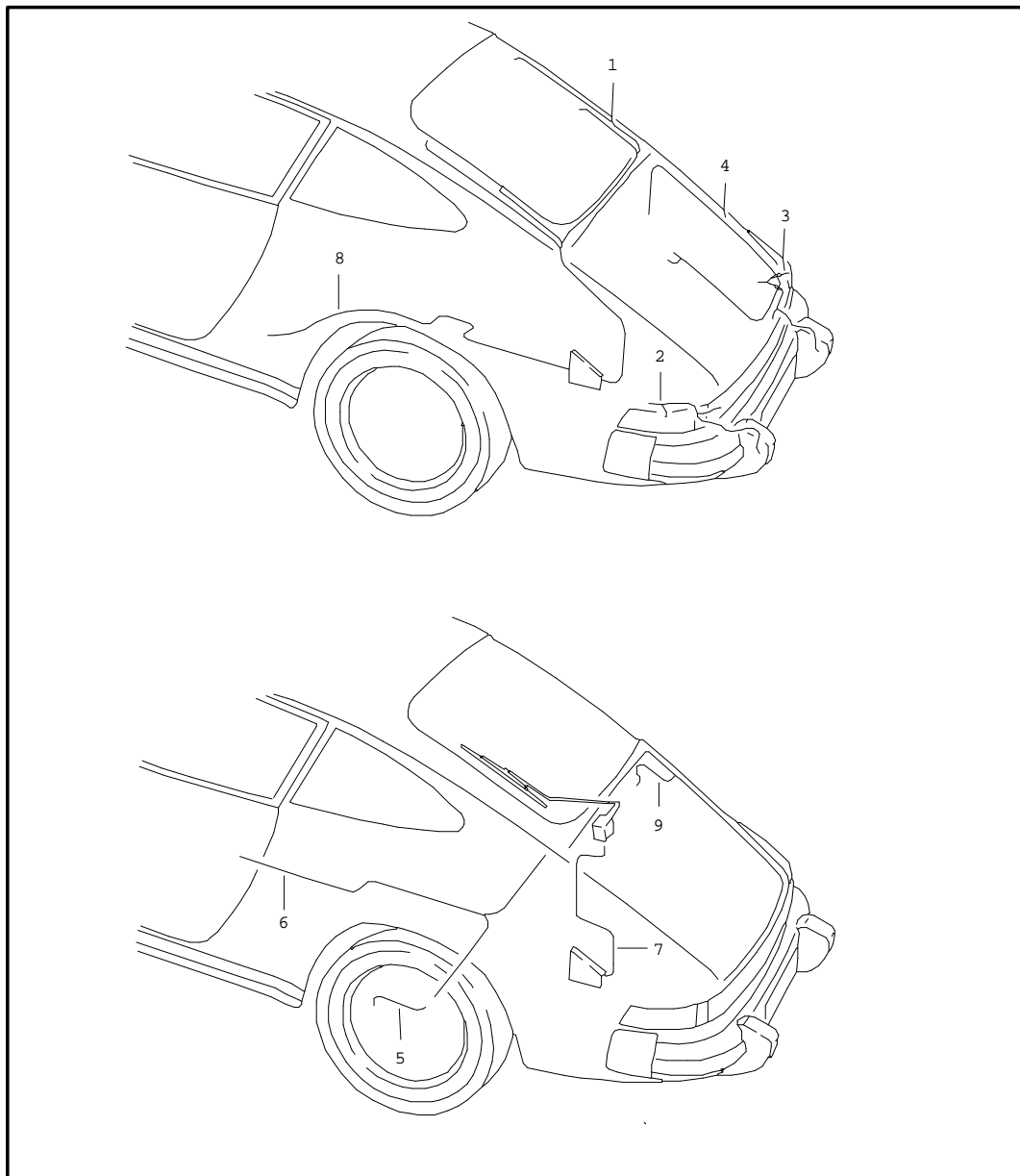


Pos	Part Number	Name	Remarks	Qty	Model
		harnesses body door			
1	911 612 561 01	wiring harness NR. 561 cabriolet convertible top	/LL	1	
1	911 612 562 00	wiring harness NR. 562 cabriolet convertible top	/RL	1	
2	993 612 563 00	wiring harness NR. 563 convertible top locking device		1	
3	930 612 171 00	wiring harness NR. 171 temperature sensor		1	(J)
4	911 612 104 01	wiring harness NR. 104 switch power windows driver's door		1	
4	911 612 104 02	wiring harness NR. 104 switch power windows passenger's door		1	
5	911 612 165 04	wiring harness NR. 165 door mirror driver's door		1	
5	911 612 165 05	wiring harness NR. 165 door mirror driver's door		1	M 533
5	911 612 166 04	wiring harness NR. 166 door mirror passenger's door		1	
6	911 612 264 00	wiring harness NR. 264 central locking system	-88	2	

Model	Year	MG	SG	Illustration	Restrictions	Update	9:06	17.08.2004	PORSCHE	PET	PORSCHE
911	89	9	02	902-16		179					

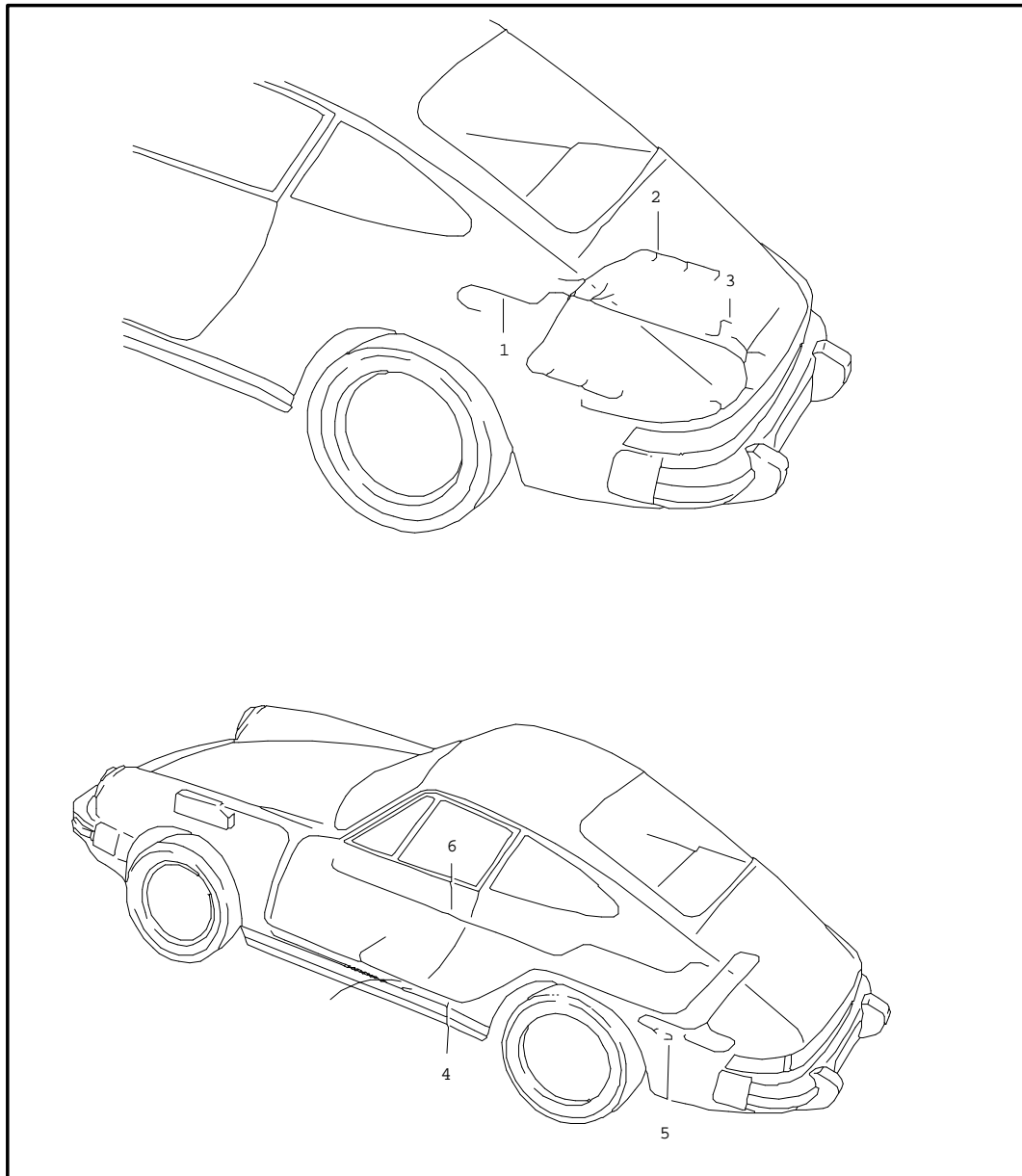
Pos	Part Number	Name	Remarks	Qty	Model	Pos	Part Number	Name	Remarks	Qty	Model
6	911 612 264 01	wiring harness NR.264 central locking system	89-	2							
7	911 612 048 00	wiring harness NR. 48 engine power windows		2							
8	964 613 134 00	microswitch for central locking system		2							
		- - - E N D - - -									

Model	Year	MG	SG	Illustration	Restrictions	Update	9:06	17.08.2004	PORSCHE	PET	PORSCHE
911	89	9	02	902-18		179					



Pos	Part Number	Name	Remarks	Qty	Model
		harnesses rear end			
1	911 612 032 03	wiring harness NR. 32 rear window heating		1	
2	911 612 039 12	wiring harness NR. 39 rear light with rear foglamp	/L	1	
2	911 612 039 15	wiring harness NR. 39 rear light without rear foglamp	/L	1	
3	911 612 039 12	wiring harness NR. 39 rear light with rear foglamp	/R	1	
3	911 612 039 15	wiring harness NR. 39 rear light without rear foglamp	/R	1	
4	911 612 049 02	wiring harness NR. 49 engine compartment lamp		1	
5	944 612 211 02	warning contact brake pad wear indicator		2	CARRERA
5	930 612 211 00	warning contact brake pad wear indicator		2	TURBO CARRERA M491
6	911 612 051 00	wiring harness NR. 51 brake pad wear indicator		1	
7	911 612 031 02	wiring harness NR. 31 rear window wiper		1	
8	930 612 072 03	wiring harness NR. 72 fuel pump		1	TURBO
9	901 612 107 00	ground strap for bonnet		2	
- - - E N D - - -					

Model	Year	MG	SG	Illustration	Restrictions	Update	9:06	17.08.2004	PORSCHE	PET	PORSCHE
911	89	9	02	902-20		179					



Pos	Part Number	Name	Remarks	Qty	Model
		harnesses engine - dme - o2 sensor closed-loop ctrl			
1	911 607 016 02	wiring harness NR. 16 engine		1	M30.20/25/26
1	930 607 016 02	wiring harness NR. 16 engine		1	M30.66
2	911 607 174 04	wiring harness NR. 174 injector valve		1	M30.20/25/26
3	911 612 233 00	ground strap NR. 91 generator		1	
4	911 612 173 09	wiring harness NR. 173 - dme -		1	M30.20/25
4	911 612 173 10	wiring harness NR. 173 - dme -		1	M30.26
5	911 612 422 00	adapter plug for - dme -		1	M30.20/26
6	911 612 158 02	wiring harness NR. 158 cruise control		1	
		- - - E N D - - -			

Model	Year	MG	SG	Illustration	Restrictions	Update	9:06	17.08.2004	PORSCHE	PET	PORSCHE
911	89	9	02	902-50		179					

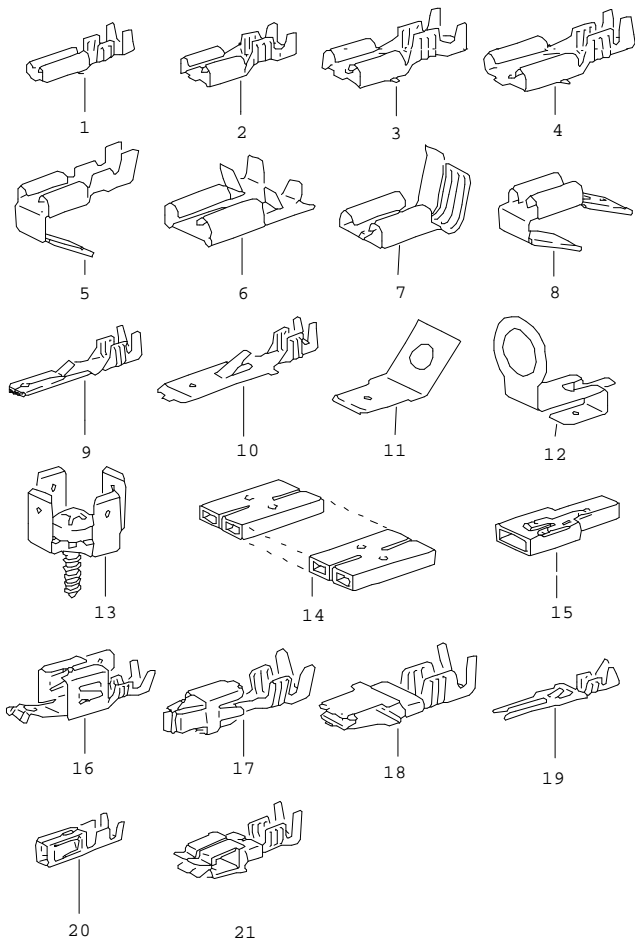
Pos	Part Number	Name	Remarks	Qty	Model
		round connector contact pin cable shoe			
1	N 017 586 2	round connector \$ 0,5 - 1,0 CUZN		X	
2	944 612 428 00	round connector \$ 0,75 - 1,5 CUSN		X	
3	N 017 564 1	round connector \$ 0,5 - 1,0 CUSN		X	
4	N 017 562 4	cylindrical connector \$ 0,5 - 1,0 CUSN		X	
6	N 017 599 4	cylindrical connector \$ 2,5 - 6,0 CUSN		X	
7	944 612 427 00	contact bush \$ 0,75 - 1,5 CUSN		X	
8	999 652 369 12	pin \$ 0,5 - 2,0 CUAG		X	
9	911 612 907 00	contact pin \$ 0,5 - 2,0 CUAG		X	
10	944 612 548 00	contact bush \$ 0,5 - 2,0 CUAG		X	
11	999 652 351 22	contact bush \$ 0,5 - 2,0 CUAG		X	
12	999 652 371 12	bush \$ 0,5 - 2,0 CUAG		X	
13	N 017 505 4	cable shoe \$ 5,0 - 1,0		X	
(13)	N 017 515 4	cable shoe \$ 5,0 - 2,5		X	
(13)	N 017 516 2	cable shoe \$ 6,0 - 2,5		X	
(13)	N 017 518 2	cable shoe \$ 8,0 - 2,5 CUSN		X	
(13)	999 652 246 10	cable shoe \$ 8,0 - 2,5 CUZN		X	
(13)	999 652 235 10	cable shoe \$ 10 - 2,5		X	

Model	Year	MG	SG	Illustration	Restrictions	Update	9:06	17.08.2004	PORSCHE	PET	PORSCHE
911	89	9	02	902-50		179					

Pos	Part Number	Name	Remarks	Qty	Model	Pos	Part Number	Name	Remarks	Qty	Model
14	999 652 208 10	cable shoe \$ 6,0 - 2,5 - - - E N D - - -		X							

Model	Year	MG	SG	Illustration	Restrictions	Update	9:07	17.08.2004	PORSCHE	PET	PORSCHE
911	89	9	02	902-52		179					

Pos	Part Number	Name	Remarks	Qty	Model
		flat plug push-on connector			
1	111 971 958	flat receptacle with clips 2,8 X 1		X	
(1)	111 971 958	flat receptacle without clips 2,8 X 1 CUZN		X	
(1)	111 971 958	flat receptacle without clips 2,8 X 1 CUSN		X	
(1)	N 017 243 1	flat receptacle without clips 2,8 X 1,5 CUZN		X	
2	111 971 959	flat receptacle with clips 6,3 X 1 CUZN		X	
2	111 971 959	flat receptacle with clips 6,3 X 1 CUSN		X	
2	N 017 491 8	flat receptacle with clips 6,3 X 2,5 CUZN		X	
2	N 017 494 3	flat receptacle with clips 6,3 X 6,0 CUSN		X	
(2)	111 971 959	flat receptacle without clips 6,3 X 1 CUZN		X	
(2)	999 652 106 02	flat receptacle without clips 6,3 X 1,5 CUSN		X	



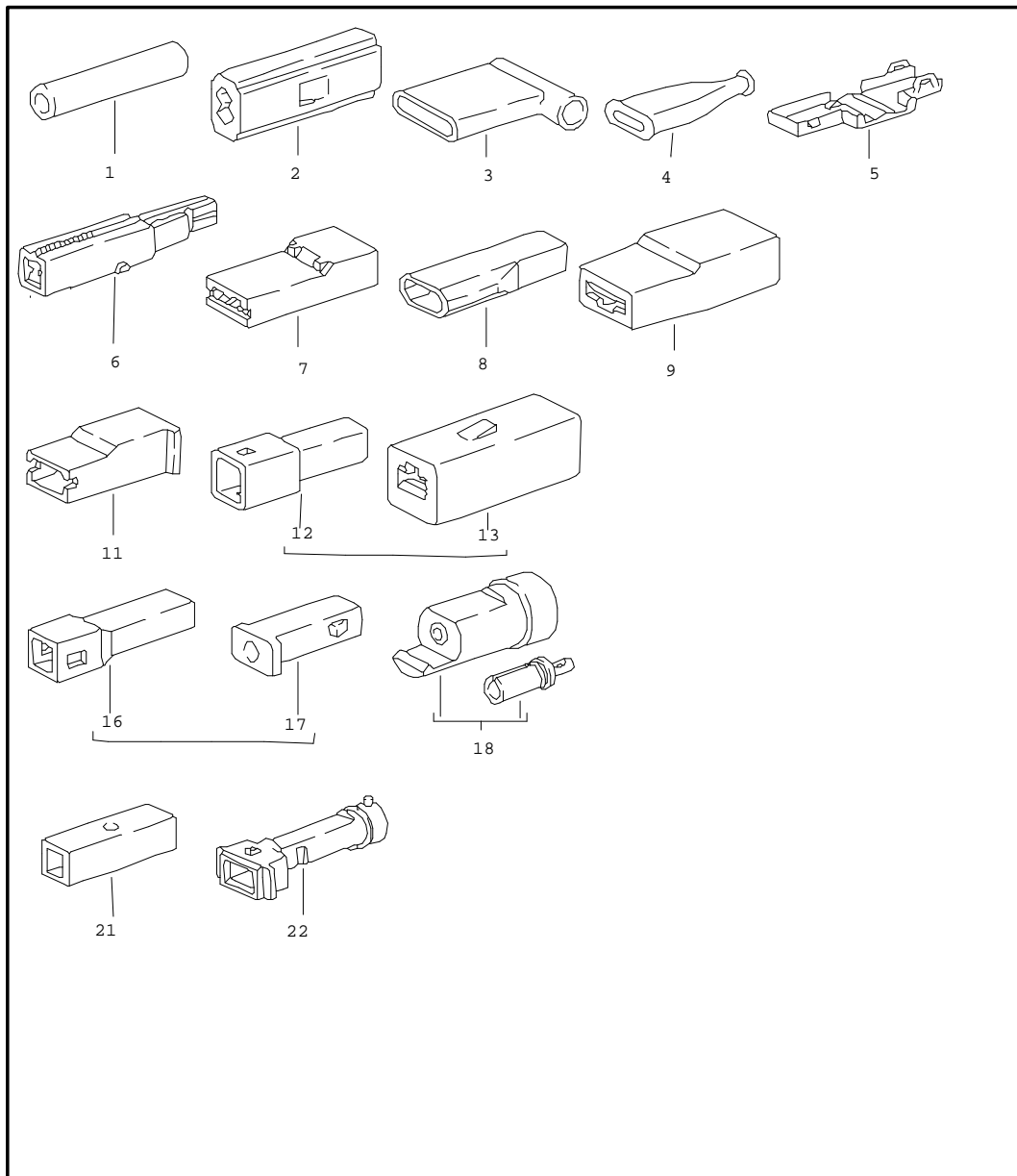
Model	Year	MG	SG	Illustration	Restrictions	Update	9:07	17.08.2004	PORSCHE	PET	PORSCHE
911	89	9	02	902-52		179					

Pos	Part Number	Name	Remarks	Qty	Model	Pos	Part Number	Name	Remarks	Qty	Model
(2)	999 652 106 02	flat receptacle without clips 6,3 X 1,5 CUZN		X		11	999 652 125 10	flat plug 6,3 \$ 2,8		X	
(2)	N 017 491 8	flat receptacle without clips 6,3 X 2,5 CUZN		X		11	999 652 315 02	flat plug 6,3 \$ 5,3 CUSN		X	
(2)	N 017 494 3	flat receptacle without clips 6,3 X 6,0 CUZN		X		11	999 652 315 02	flat plug 6,3 \$ 5,3 CUZN		X	
3	N 017 453 1	flat receptacle without clips 7,7 X 2,5 CUZN		X		(11)	999 652 315 02	flat plug 6,3 \$ 5,3		X	
3	N 017 245 1	flat receptacle without clips 7,7 X 10 CUSN		X		12	911 603 911 00	connector 6,3		X	
5	N 017 242 1	flat receptacle with push-on connector 6,3 X 1		X		13	171 971 519 A	ground connector 6,3		X	
6	N 017 498 2	flat receptacle 6,3 X 1		X		14	999 652 142 40	push-on connector 6,3 12-FACH		X	
7	999 652 116 02	flat receptacle 6,3 X 1,5		X		(14)	999 652 142 40	push-on connector 6,3 5-FACH		X	
8	999 652 122 10	multiple plug connector 6,3		X		(14)	999 652 142 40	push-on connector 6,3 triple		X	
9	N 017 457 2	flat plug with clips 2,8 X 1		X		(14)	999 652 142 40	push-on connector 6,3 2-FACH		X	
10	111 971 985	flat plug with clips 6,3 X 1		X		(14)	999 652 142 40	push-on connector 6,3 1-FACH		X	
10	111 971 986	flat plug with clips 6,3 X 2,5		X		15	999 652 151 40	push-on connector 6,3		X	
						16	999 652 275 10	contact 6,3		X	
						17	N 903 353 03	contact spring \$ 2,5 - 3,5		X	
						18	999 652 451 22	fitting piece 6,3 \$ 0,5 - 1,0		X	
						19	999 652 380 12	contact spring \$ 0,4 - 0,75		X	

Model	Year	MG	SG	Illustration	Restrictions	Update	9:07	17.08.2004	PORSCHE	PET	PORSCHE
911	89	9	02	902-52		179					

Pos	Part Number	Name	Remarks	Qty	Model	Pos	Part Number	Name	Remarks	Qty	Model
19	477 971 827 B	cable connection 2-FACH		1							
19	477 971 827 B	cable connection 1-FACH		1							
20	999 652 269 12	contact spring		X							
21	999 652 456 22	contact spring \$ 0,75 - 1,5		X							
		- - - E N D - - -									

Model	Year	MG	SG	Illustration	Restrictions	Update	9:07	17.08.2004	PORSCHE	PET	PORSCHE
911	89	9	02	902-54		179					



Pos	Part Number	Name	Remarks	Qty	Model
		cable connection connector housing single pole			
1	999 652 149 40	cable connection \$ 1,5		X	
2	111 971 921	protection cap 6,3		X	
3	999 652 160 40	protection cap 6,3		X	
5	211 971 921	protection cap 6,3		X	
6	059 905 371	diode connector 6,3		X	
7	111 971 921 B	connector housing 6,3		X	
8	999 652 119 40	connector housing 6,3		X	
9	825 971 990	terminal sleeve housing 6,3		X	
11	431 971 995	terminal sleeve housing 6,3		X	
12	823 971 976	connector housing 2,8		X	
13	823 971 990	terminal sleeve housing 2,8		X	
16	171 971 998	connector housing 1,6		X	
17	171 971 999	terminal sleeve housing 1,6		X	
18	999 653 002 90	connector housing with		X	
-	999 652 371 12	bush		X	
21	111 971 977	plug with guide 6,3		X	
22	813 972 643 A	socket		X	
		- - - E N D - - -			

Model	Year	MG	SG	Illustration	Restrictions	Update	9:07	17.08.2004	PORSCHE	PET	PORSCHE
911	89	9	02	902-56		179					

Pos	Part Number	Name	Remarks	Qty	Model
1	999 652 370 40	connector housing 2-pole		X	
-	999 652 371 12	connector housing for		X	
2	999 652 372 40	bush		X	
3	999 652 372 40	clip		X	
3	999 652 368 40	connector housing for		X	
-	999 652 369 12	pin		X	
4	911 612 887 00	connector housing for		X	
-	999 652 351 22	contact bush		X	
5	928 612 557 00	connector housing for		X	
-	944 612 548 00	contact bush		X	
6	999 652 381 00	connector housing with contact bush		X	
				2	
7	911 645 112 00	adapter plug with contact pin		1	
				2	
8	944 612 547 00	connector housing for		X	
-	944 612 548 00	contact bush		X	
9	911 612 118 00	connector housing with contact bush		X	
				2	
10	815 971 989 A	connector housing 6,3		X	
11	815 971 988 A	connector housing 6,3		X	
12	810 971 989	connector housing 6,3		X	
13	171 906 231	connector housing 6,3		X	

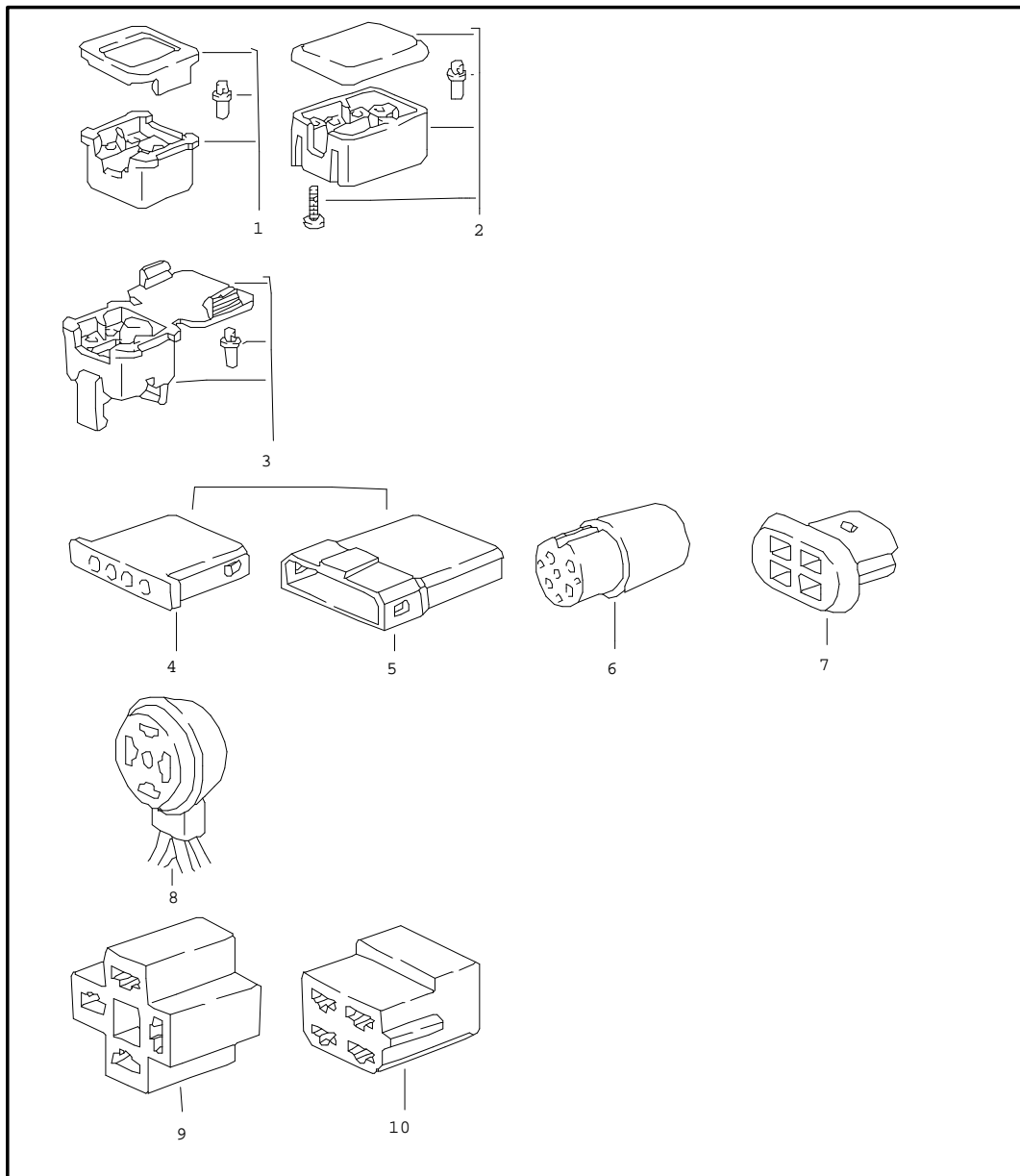
Model	Year	MG	SG	Illustration	Restrictions	Update	9:07	17.08.2004	PORSCHE	PET	PORSCHE
911	89	9	02	902-56		179					

Pos	Part Number	Name	Remarks	Qty	Model	Pos	Part Number	Name	Remarks	Qty	Model
14	171 971 934	connector housing 6,3		X							
15	815 971 989	connector housing 6,3		X							
16	022 906 231 A	connector housing grey for		X							
-	N 903 353 03	contact spring		X							
16	928 612 825 00	connector housing beige		X							
18	810 971 993	terminal sleeve housing		X							
19	171 971 998 A	terminal sleeve housing 1,6		X							
20	171 971 999 A	connector housing 1,6		X							
21	171 971 999 A	terminal sleeve housing 1,6		X							
22	944 612 439 00	connector housing for cigarette lighter		X							
		- - - E N D - - -									

Model	Year	MG	SG	Illustration	Restrictions	Update	9:07	17.08.2004	PORSCHE	PET	PORSCHE
911	89	9	02	902-58		179					

Pos	Part Number	Name	Remarks	Qty	Model
		connector housing 3-pole			
1	165 941 165	connector housing 3,5		X	
2	113 945 525	terminal sleeve housing 6,3		X	
3	944 612 436 00	connector for		X	
4	944 612 435 00	connector housing for		X	
5	171 971 998 B	connector housing 1,6		X	
6	171 971 999 B	terminal sleeve housing 1,6		X	
7	113 919 113	connector housing 1,6		X	
8	821 971 970	connector housing 6,3		X	
9	821 971 975	terminal sleeve housing 6,3		X	
10	111 941 341	terminal sleeve housing 6,3		X	
11	914 612 327 10	connector housing 6,3		X	
12	311 906 231 B	connector housing		X	
13	022 906 233 B	connector housing		X	
		- - - E N D - - -			

Model	Year	MG	SG	Illustration	Restrictions	Update	9:07	17.08.2004	PORSCHE	PET	PORSCHE
911	89	9	02	902-60		179					



Pos	Part Number	Name	Remarks	Qty	Model
		connector housing 4-pole			
1	901 612 891 01	connector housing with		X	
-	999 652 371 12	bush		3	
2	901 612 891 00	connector housing with		X	
-	999 652 371 12	bush		4	
3	944 612 217 00	connector housing for		X	
-	999 652 351 22	contact bush		X	
4	171 971 999 C	connector housing 1,6		X	
5	171 971 998 C	terminal sleeve housing 1,6		X	
6	914 612 325 00	plug socket 1,6		X	
7	928 612 131 00	connector housing		X	
8	901 612 334 00	socket		X	
9	928 631 108 00	connector housing 6,3		X	
10	803 905 897	connector housing 6,3		X	
		- - - E N D - - -			

Model	Year	MG	SG	Illustration	Restrictions	Update	9:07	17.08.2004	PORSCHE	PET	PORSCHE
911	89	9	02	902-62		179					

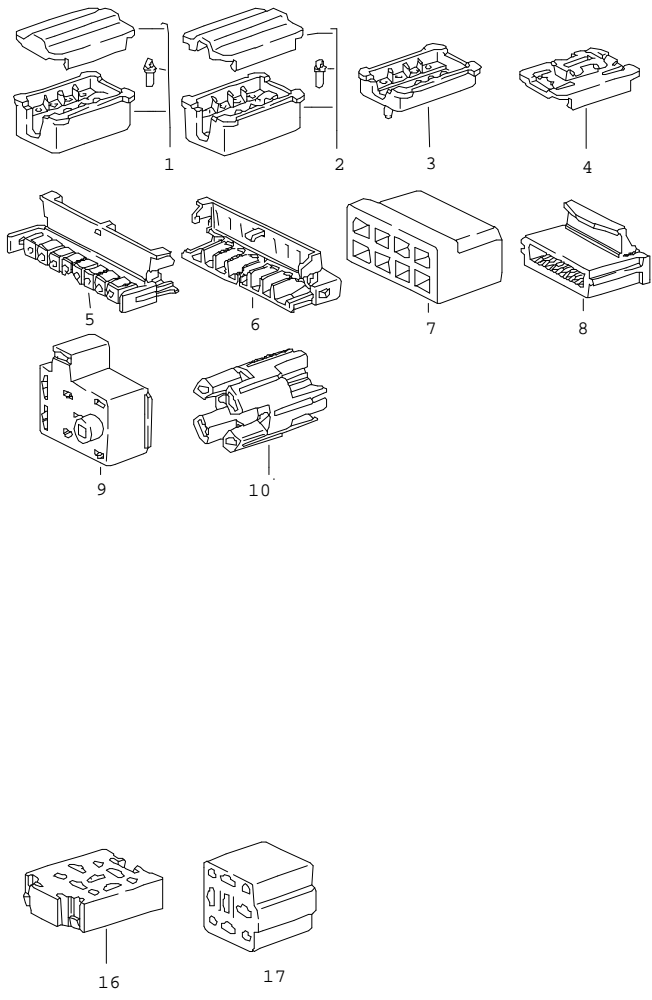
Pos	Part Number	Name	Remarks	Qty	Model
		connector housing 5-pole 6-pole 7-pole			
		5-pole			
1	113 971 835	terminal sleeve housing 2,8		X	
2	901 612 333 00	socket for standard type relay		X	
3	928 612 411 00	clutch		X	
4	803 971 835 A	terminal sleeve housing for relay		X	
5	928 612 335 25	fitting piece		1	
6	928 612 332 00	module housing		X	
-	999 652 451 22	fitting piece		X	
7	928 612 331 00	initial housing		X	
8	928 612 542 00	clutch housing		X	
9	944 612 539 00	clutch		X	
		6-pole			
13	171 971 999 E	connector housing 1,6		X	
14	171 971 998 E	connector housing 1,6		X	
15	803 971 831	terminal sleeve housing 6,3		X	
16	911 612 868 01	clutch with clip		X	
(16)	911 612 868 01	clutch		X	
17	911 612 867 02	connector with contact pin with clip		X 6	

Model	Year	MG	SG	Illustration	Restrictions	Update	9:07	17.08.2004	PORSCHE	PET	PORSCHE
911	89	9	02	902-62		179					

Pos	Part Number	Name	Remarks	Qty	Model	Pos	Part Number	Name	Remarks	Qty	Model
18	928 612 469 00	clutch for contact pin		X X							
19	944 612 537 00	clutch		X							
20	901 612 330 00	multiple plug connection		X							
21	901 612 061 00	clutch 7-pole		X							
27	911 612 332 00	socket		X							
28	911 612 331 00	connector		X							
29	803 971 980	connector for contact pin \$ 3,5 for contact pin \$ 1,6		X 1 6							
30	803 971 979	plug socket for contact bush \$ 3,5 for contact bush 1,6		X 1 6							
31	071 906 233	terminal sleeve housing for flat connector		X X							
32	111 953 631	terminal sleeve housing 2,8 / 6,3 - - - E N D - - -		X							

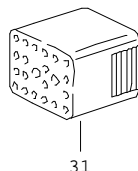
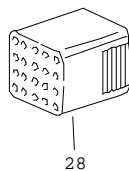
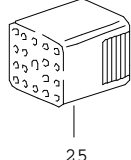
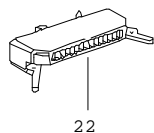
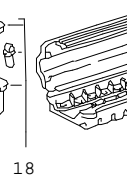
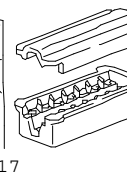
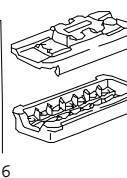
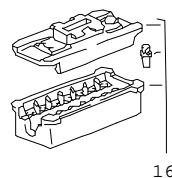
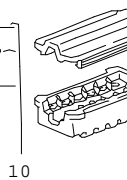
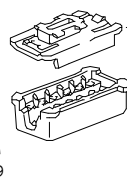
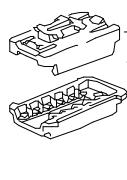
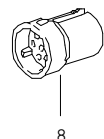
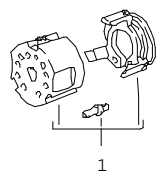
Model	Year	MG	SG	Illustration	Restrictions	Update	9:08	17.08.2004	PORSCHE	PET	PORSCHE
911	89	9	02	902-64		179					

Pos	Part Number	Name	Remarks	Qty	Model
		connector housing 8-pole 9-pole			
1	944 612 117 00	connector housing with		X	
-	999 652 371 12	bush		8	
2	928 612 117 01	connector housing with		X	
-	999 652 371 12	bush		8	
3	999 652 395 40	connector housing		X	
4	999 652 396 40	clip		X	
5	944 612 554 00	connector housing for		X	
-	944 612 548 00	contact bush		X	
6	944 612 553 00	connector housing		X	
7	803 971 971	connector housing 6,3		X	
8	113 971 998 B	connector housing		X	
9	321 971 999 A	terminal sleeve housing 2,8 / 6,3		X	
10	911 612 120 00	connector housing 6,3		X	
		9 - POLIG			
16	135 937 501 A	terminal sleeve housing 2,8 / 6,3		X	
17	849 941 593	connector housing 2,8 / 6,3		X	
		- - - E N D - - -			



Model	Year	MG	SG	Illustration	Restrictions	Update	9:08	17.08.2004	PORSCHE	PET	PORSCHE
911	89	9	02	902-66		179					

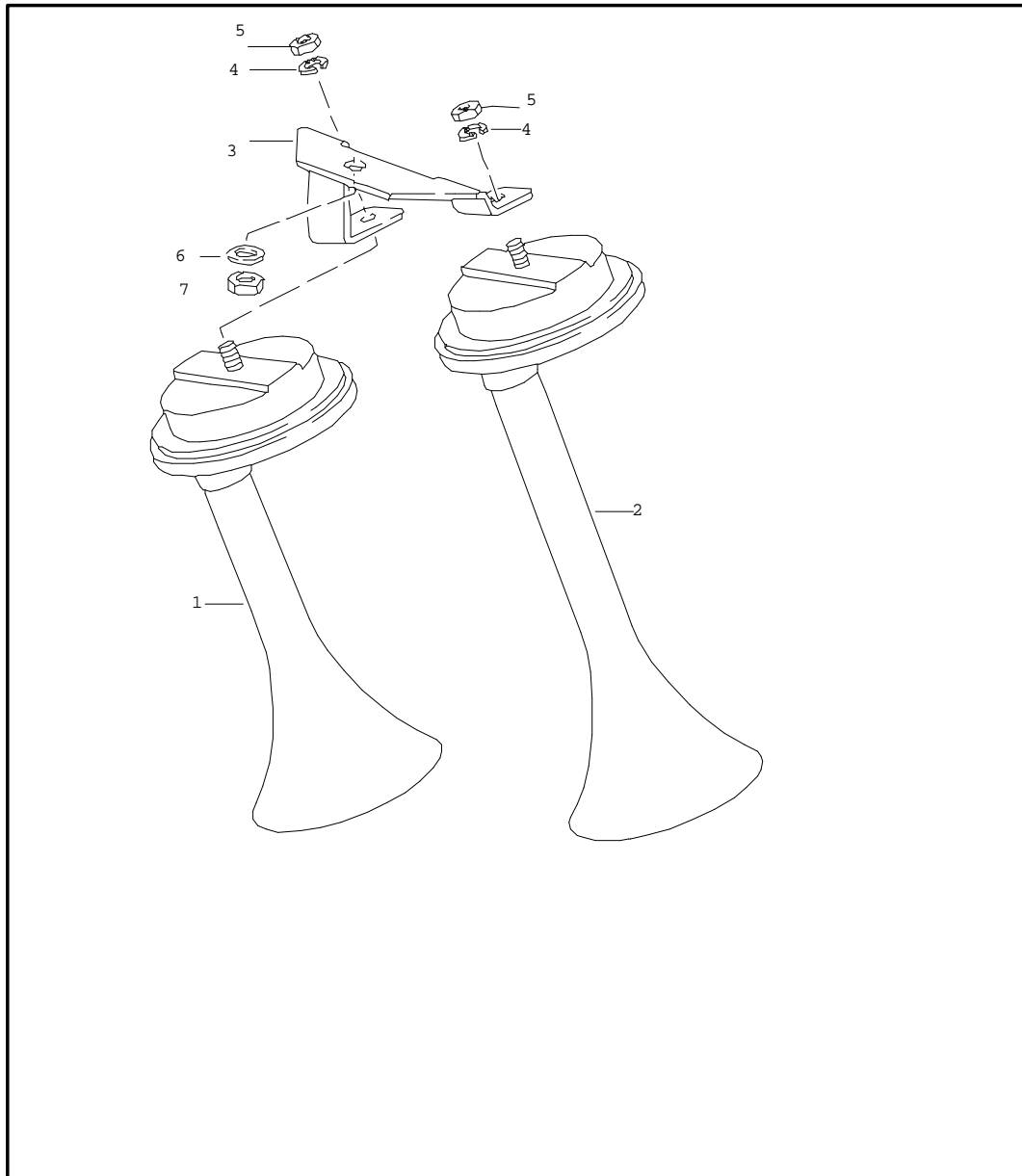
Pos	Part Number	Name	Remarks	Qty	Model
		connector housing 10-pole until 22-pole			
		10-pole			
1	911 612 889 00	connector housing with contact bush		X 10	
2	944 613 531 01	connector housing for		X	
-	944 612 548 00	contact bush		10	
8	861 972 524	connector housing 1,6 / 3,5		X	
9	911 612 122 02	connector housing with contact bush		X 12	
10	928 612 423 00	connector housing		X	
11	911 612 884 00	connector housing		X	
11	911 612 121 01	connector housing		X	
		14-pole			
16	911 612 115 02	connector housing		X	
17	911 612 113 05	connector housing		X	
18	911 612 115 03	connector housing		X	
19	944 612 215 00	connector housing with contact bush		X 14	
		17-pole			
22	944 612 311 00	connector housing for		X	
-	999 652 380 12	contact spring		X	
		19-pole			
25	171 971 971 C	connector housing NATUR		X	



Model	Year	MG	SG	Illustration	Restrictions	Update	9:08	17.08.2004	PORSCHE	PET	PORSCHE
911	89	9	02	902-66		179					

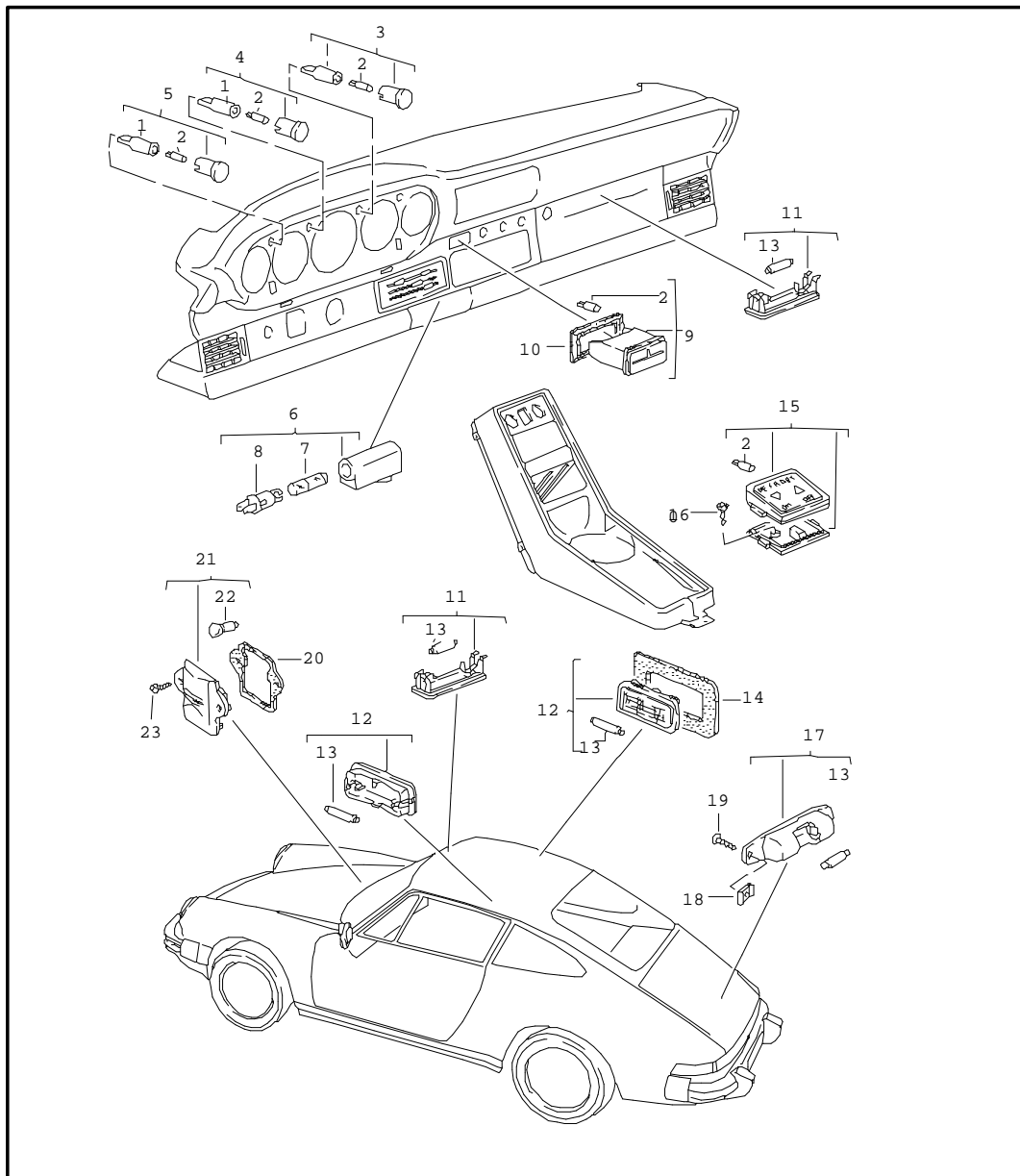
Pos	Part Number	Name	Remarks	Qty	Model	Pos	Part Number	Name	Remarks	Qty	Model
(25)	171 971 971 E	connector housing white 20-pole		X							
28	171 971 971	connector housing yellow		X							
(28)	171 971 971 D	connector housing red 22-pole		X							
31	171 971 971 A	connector housing black		X							
(31)	171 971 971 B	connector housing blue		X							
		- - - E N D - - -									

Model	Year	MG	SG	Illustration	Restrictions	Update	9:08	17.08.2004	PORSCHE	PET	PORSCHE
911	89	9	03	903-00		179					



Pos	Part Number	Name	Remarks	Qty	Model
		horn			
1	911 635 101 20	fanfare high-pitched		1	
2	911 635 102 20	fanfare low-pitched		1	
3	911 635 107 00	support		1	
4	N 042 121 3	shake-proof washer A 6,4		2	
5	900 076 010 02	hexagon nut M 6		2	
6	N 011 525 13	washer A 8,4		1	
7	900 076 025 02	hexagon nut M 8		1	
		- - - E N D - - -			

Model	Year	MG	SG	Illustration	Restrictions	Update	9:08	17.08.2004	PORSCHE	PET	PORSCHE
911	89	9	03	903-04		179					

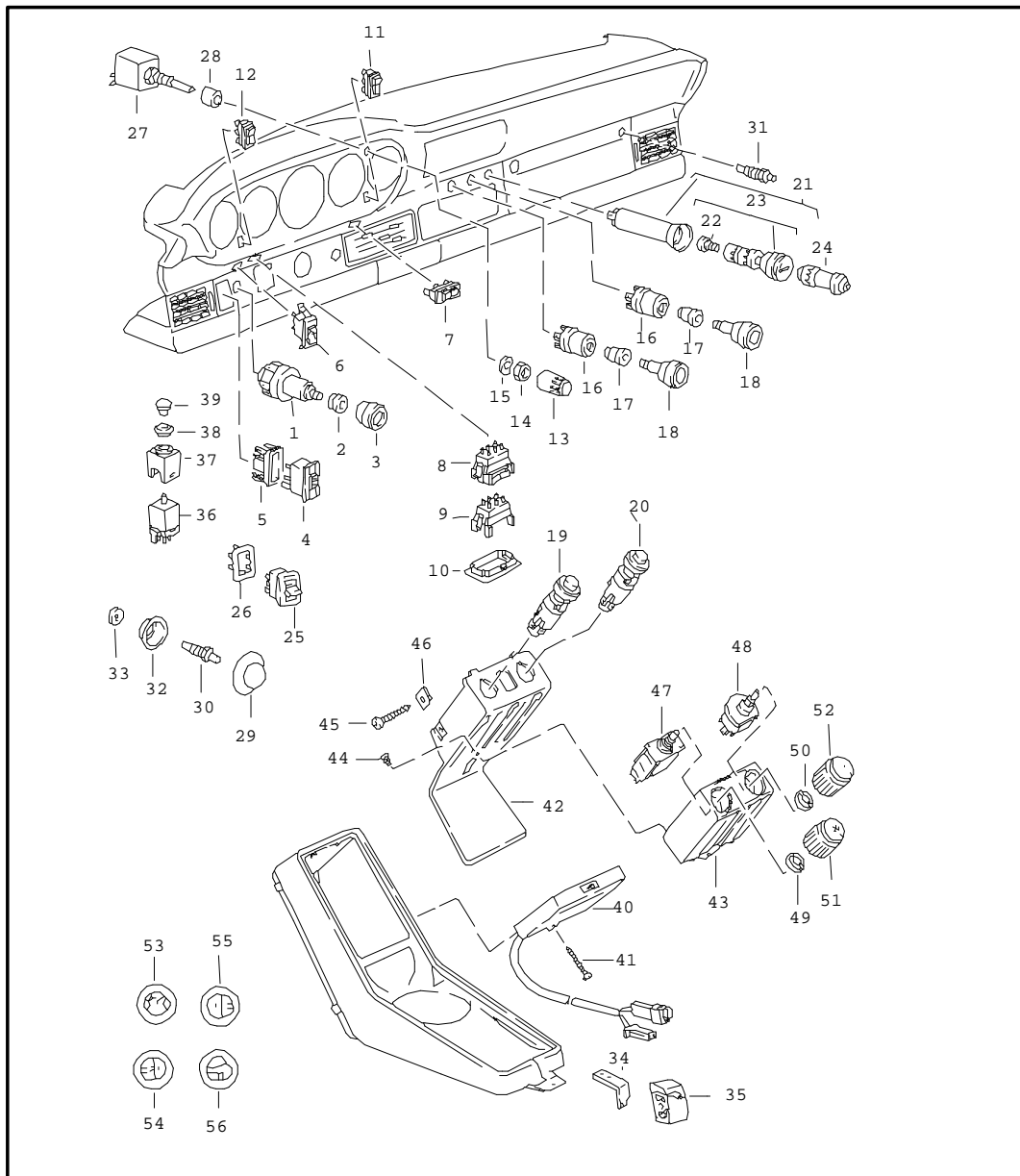


Pos	Part Number	Name	Remarks	Qty	Model
		interior lights			
1	111 919 243	bulb holder		X	
2	900 631 132 90	bulb 1,2 W		X	
3	911 632 015 01	indicator light "EX"		1	(J)
4	911 632 017 00	indicator light convertible top		1	CABRIO M 439
5	911 632 016 00	indicator light trailer coupling		1	M 208
6	911 632 904 00	ashtray light complete		1	
7	900 631 102 90	bulb 2 W		1	
8	911 632 114 00	bulb holder 2-pole		1	
9	911 632 211 00	indicator light		1	
9	944 632 213 00	combination warning light		1	(AUS)
9	911 799 632 01	combination warning light	89-	1	(AUS)
9	911 799 632 00	combination warning light	89-	1	(GB)
10	911 632 116 01	grommet		1	
11	911 632 102 00	light		1	
11	911 632 102 00	light		1	TARGA/CABRIO
12	901 632 101 28	interior light		2	COUPE
13	900 631 106 90	linolite lamp 10 W		X	
14	964 555 153 00	desk pad		2	COUPE
17	911 631 315 01	engine compartment lamp		1	
18	999 507 028 02	speed nut B 4,2		2	
19	N 014 093 3	tapping screw B 4,2 X 13		2	

Model	Year	MG	SG	Illustration	Restrictions	Update	9:08	17.08.2004	PORSCHE	PET	PORSCHE
911	89	9	03	903-04		179					

Pos	Part Number	Name	Remarks	Qty	Model	Pos	Part Number	Name	Remarks	Qty	Model
20	901 632 291 00	desk pad	-88	1							
21	901 632 201 01	luggage boot lamp	-88	1							
(21)	959 632 201 00	luggage boot lamp	89-	1							
22	900 631 106 90	linolite lamp 10 W	89-	1							
22	900 631 115 90	bulb 10 W		1							
23	N 013 961 2	tapping screw B 3,9 X 13		2							
		- - - E N D - - -									

Model	Year	MG	SG	Illustration	Restrictions	Update	9:08	17.08.2004	PORSCHE	PET	PORSCHE
911	89	9	03	903-06		179					



Pos	Part Number	Name	Remarks	Qty	Model
1	911 613 029 03	switch		1	
2	911 613 213 07	rose		1	
3	911 613 214 05	knob		1	
4	911 631 231 00	switch headlight levelling system		1	M 605
5	911 613 342 00	rose		1	M 605
6	911 613 622 00	tip switch for sliding roof and folding top control		1	
7	911 613 319 02	tip switch for intensive windscr. washer		1	
8	928 613 240 00	changeover switch		1	
9	928 612 325 00	adapter plug		1	
10	911 613 615 01	support		1	
11	911 613 319 01	tip switch for headlight washer system		1	
12	911 613 321 01	tip switch for rear window wiper		1	
13	911 618 011 00	knob		1	
14	911 618 209 00	hexagon nut M 7 X 0,75		1	

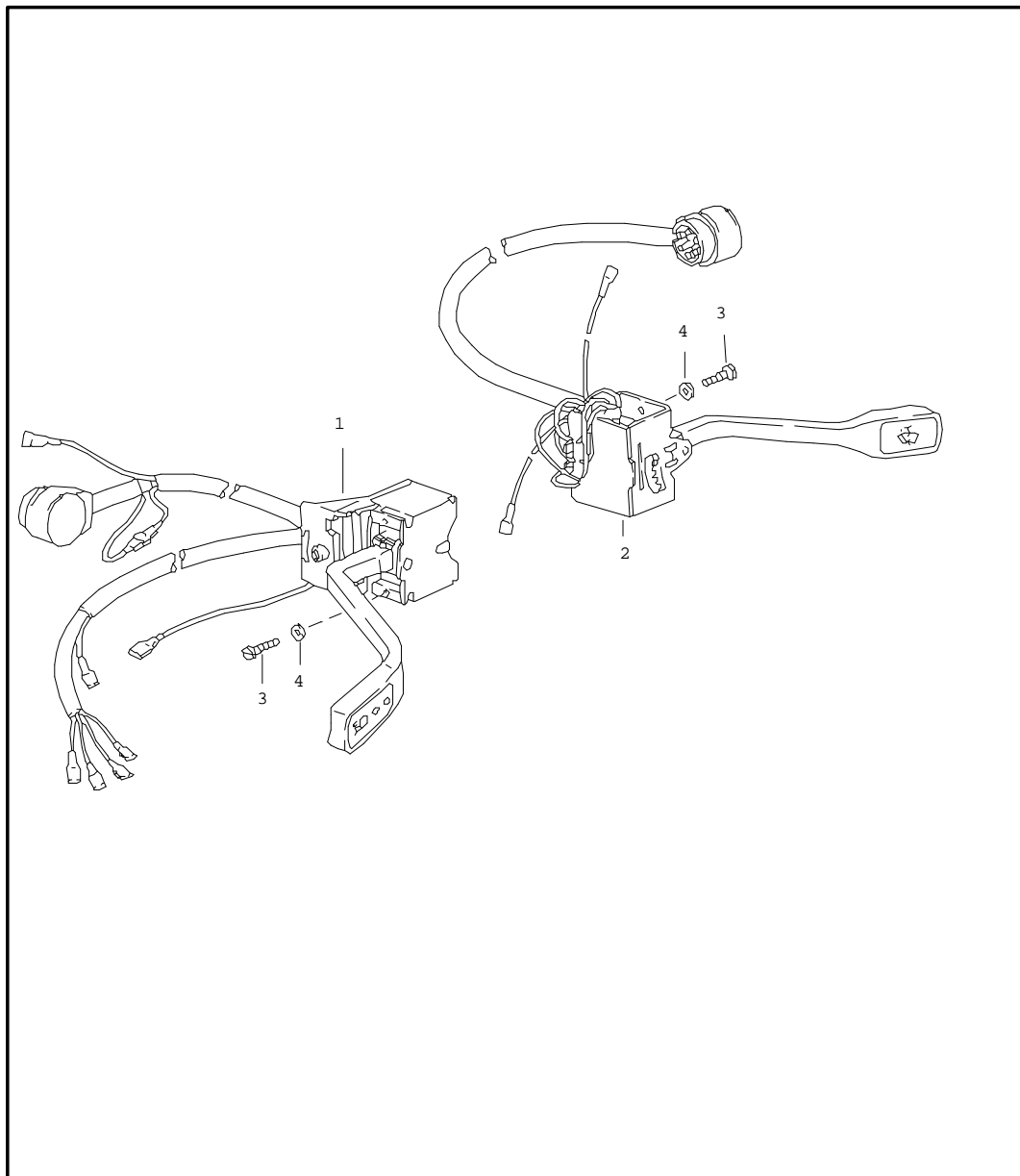
Model	Year	MG	SG	Illustration	Restrictions	Update	9:08	17.08.2004	PORSCHE	PET	PORSCHE
911	89	9	03	903-06		179					

Pos	Part Number	Name	Remarks	Qty	Model	Pos	Part Number	Name	Remarks	Qty	Model
15	900 028 019 01	spring washer B 7		1		31	901 615 601 02	door contact switch for glove compartment light		1	
16	911 613 149 00	switch		2		(31)	964 613 601 00	door contact switch for luggage boot lamp		1	
17	911 613 213 03	rose		2							
18	911 613 028 10	knob		2		32	901 615 615 20	concave washer		2	
19	911 613 124 32	hazard warning light sw.		1		33	900 031 001 60	washer 8,4		X	
-	900 631 102 90	bulb 2 W		1		34	901 613 523 20	contact bow for handbrake indicator light		1	
20	911 613 148 00	switch for rear window heating		1		35	901 613 521 20	contact piece		1	
20	911 613 159 00	switch for door mirror heated		1	CABRIO	36	928 613 241 00	switch for door mirror		1	
21	911 652 102 06	cigarette lighter		1		37	911 613 423 00	wiper frame		1	
22	644 652 112 00	glower for cigarette lighter		1		38	911 613 425 00	rose		1	
23	911 652 122 02	connector for cigarette lighter		1			01C	black			
24	901 613 801 00	connector for auxiliary unit		1		39	911 613 082 00	knob		1	
25	911 613 621 03	switch for window opener		3			01C	black			
26	911 613 635 20	wiper frame		1		40	911 613 609 01	acknowledgement buttons		1	
27	911 618 147 01	potentiometer		1			01C	black for central locking system			
28	911 618 207 00	spacer sleeve		1		41	999 141 018 02	half-round screw		1	
29	901 615 616 20	rubber cap		2		42	911 613 069 01	cassette carrier		1	
30	928 613 147 00	door contact switch for interior light		2			70B	black			
						43	911 613 611 01	switch housing		1	
							01C	black			
						44	999 190 363 40	plug 4,1 X 8		1	

Model	Year	MG	SG	Illustration	Restrictions	Update	9:08	17.08.2004	PORSCHE	PET	PORSCHE
911	89	9	03	903-06		179					

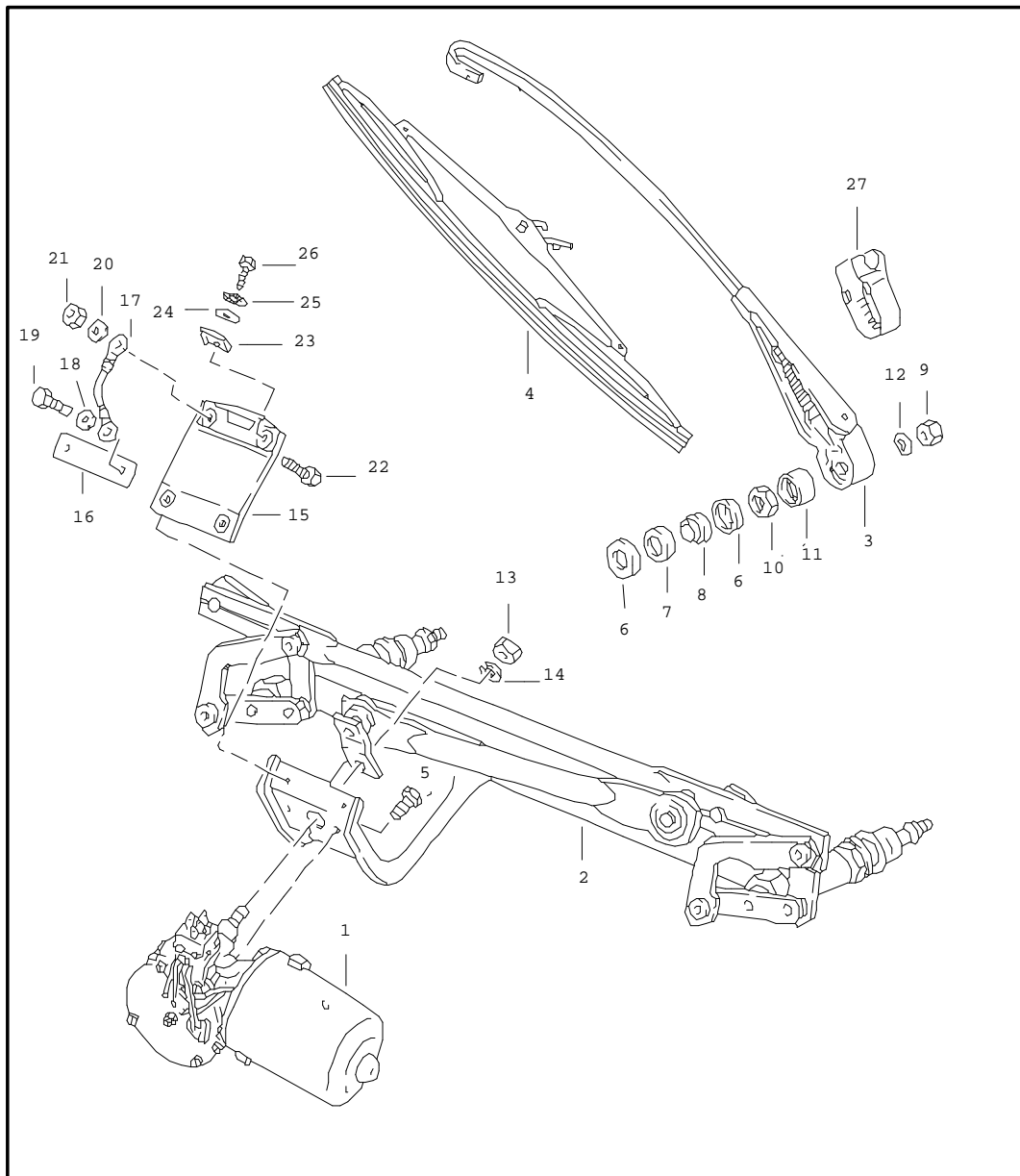
Pos	Part Number	Name	Remarks	Qty	Model	Pos	Part Number	Name	Remarks	Qty	Model
45	900 143 121 07	tapping screw B 4,2 X 16		2							
46	999 507 018 02	speed nut B 4,2		2							
47	911 613 121 01	temperature switch		1							
48	911 613 243 00	blower switch		1							
49	911 613 120 01	rose M 10 X 0,75		1							
50	911 613 119 02	rose M 10 X 1		1							
51	911 613 103 02	knob		1							
	70B	black for temperature switch									
52	911 613 104 02	knob		1							
	70B	black for blower switch									
		cap with symbol									
53	911 613 239 01	cap with symbol light switch		1							
54	911 613 233 02	cap with symbol fog headlamp		1							
55	911 613 234 02	cap with symbol rear fog light		1							
56	911 613 235 01	cap with symbol cigarette lighter		1							
		- - - E N D - - -									

Model	Year	MG	SG	Illustration	Restrictions	Update	9:09	17.08.2004	PORSCHE	PET	PORSCHE
911	89	9	03	903-10		179					



Pos	Part Number	Name	Remarks	Qty	Model
		steering column switch			
1	911 613 305 01	steering column switch left		1	
2	911 613 306 02	steering column switch right		1	
3	900 014 069 02	pan-head screw AM 3 X 8		4	
4	900 115 007 01	serrated lock washer A 3,2		4	
- - - E N D - - -					

Model	Year	MG	SG	Illustration	Restrictions	Update	9:09	17.08.2004	PORSCHE	PET	PORSCHE
911	89	9	04	904-00		179					

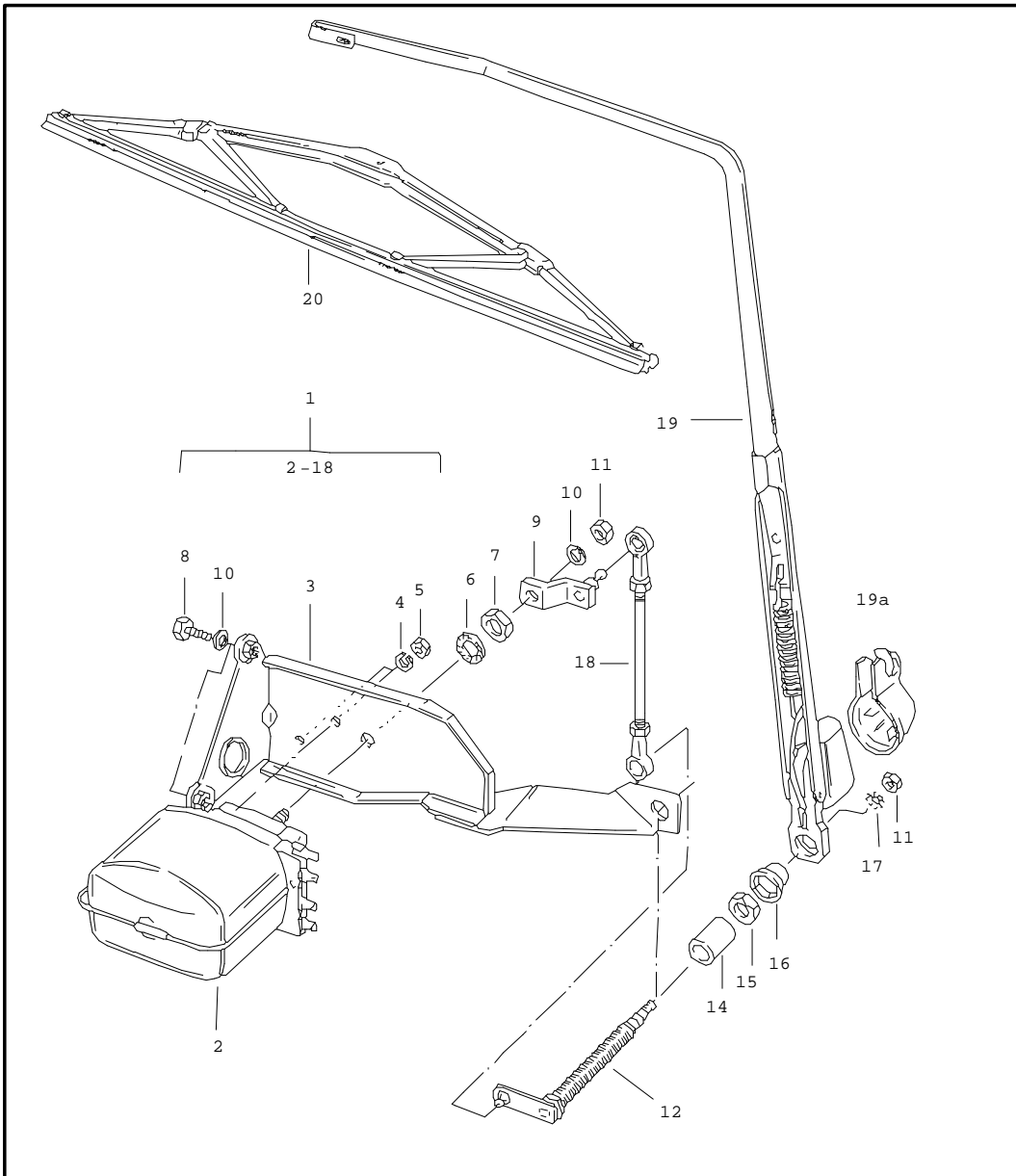


Pos	Part Number	Name	Remarks	Qty	Model
		windscreen wiper system			
1	911 628 115 02	wiper motor	/LL	1	
1	911 628 114 01	wiper motor	/RL	1	
1	911 628 115 03	wiper motor	/LL	1	SPEEDSTER
1	911 628 114 02	wiper motor	/RL	1	SPEEDSTER
2	911 628 035 01	crank drive	/LL	1	
(2)	911 628 036 01	crank drive	/RL	1	
2	911 628 039 01	crank drive	/LL	1	SPEEDSTER
2	911 628 040 01	crank drive	/RL	1	SPEEDSTER
3	911 628 313 00	wiper arm	/LL/L /RL/R	1	
3	911 628 314 00	wiper arm	/LL/R	1	
(3)	911 628 312 00	wiper arm	/RL/L	1	
3	911 628 313 30	wiper arm	/LL/L	1	SPEEDSTER
3	911 628 314 30	wiper arm	/LL/R	1	SPEEDSTER
3	911 628 312 30	wiper arm	/RL/L	1	SPEEDSTER
3	911 628 315 30	wiper arm	/RL/R	1	SPEEDSTER
4	964 628 901 00	wiper blade		2	
4	964 628 901 00	wiper blade		2	SPEEDSTER
5	900 075 207 02	hexagon-head bolt M 6 X 15		3	
6	911 628 963 00	washer		4	
6	911 628 323 00	washer		2	SPEEDSTER
7	901 628 923 01	rubber bush		2	
7	911 628 321 00	rubber bush		2	SPEEDSTER
8	901 628 924 00	rubber bush		2	
(8)	911 628 311 00	sleeve		2	SPEEDSTER
9	N 011 118 11	hexagon nut BM 8		2	

Model	Year	MG	SG	Illustration	Restrictions	Update	9:09	17.08.2004	PORSCHE	PET	PORSCHE
911	89	9	04	904-00		179					

Pos	Part Number	Name	Remarks	Qty	Model	Pos	Part Number	Name	Remarks	Qty	Model
10	901 628 925 00	hexagon nut		2							
11	901 628 926 00	cap		2							
12	901 628 927 00	spring washer		2							
13	900 076 025 02	hexagon nut M 8		1							
14	N 012 241 8	spring washer B 8		1							
15	901 628 053 20	rubber mounting	/LL	1							
15	901 628 054 20	rubber mounting	/RL	1							
16	901 628 505 20	tab washer		1							
17	911 628 333 00	ground cable		1							
18	900 025 003 02	washer A 5,3		2							
19	N 010 264 4	hexagon-head bolt M 5 X 20		2							
20	N 011 524 7	washer A 6,4		1							
21	999 076 024 02	hexagon nut M 6		1							
22	900 075 014 02	hexagon-head bolt M 6 X 18		1							
23	N 015 429 2	speed nut B 4,2		2							
24	900 151 028 02	washer B 4,3		2							
25	N 042 122 2	shake-proof washer J 4,3		2							
26	900 187 011 02	hexagon-head tapping screw B 4,3 X 13		2							
27	928 628 623 00	cap		2							
(27)	911 628 931 00	cap		2	SPEEDSTER						
		- - - E N D - - -									

Model	Year	MG	SG	Illustration	Restrictions	Update	9:09	17.08.2004	PORSCHE	PET	PORSCHE
911	89	9	04	904-05		179					

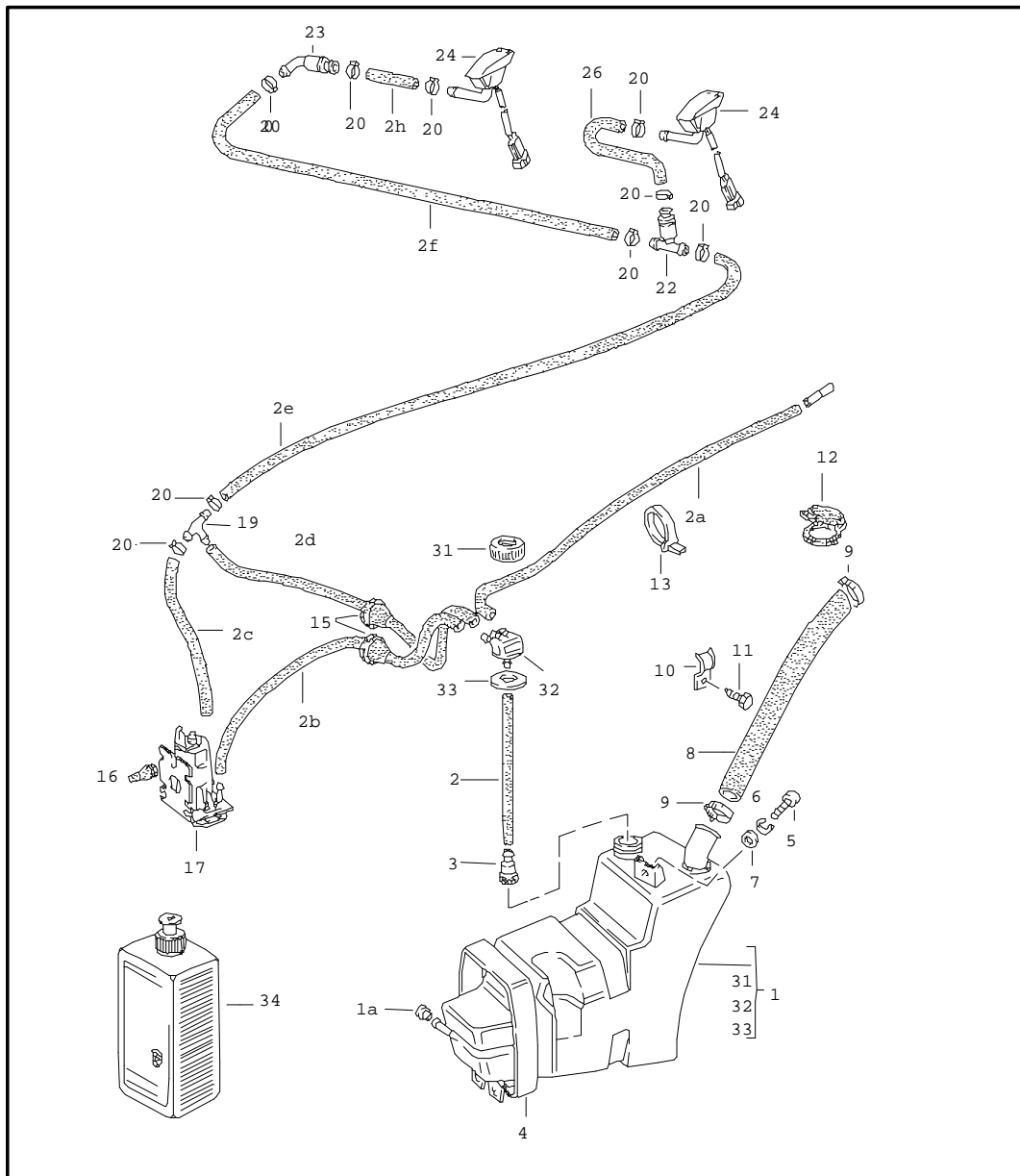


Pos	Part Number	Name	Remarks	Qty	Model
		rear window wiper			
		for subsequent installat. CARRERA with M 559 use also: condenser 911.573.057.04			
1	911 628 019 03	rear window wiper		1	CARRERA
1	911 628 019 05	rear window wiper		1	CARRERA M473 M 491 TURBO
2	911 628 063 00	wiper motor		1	
3	911 628 037 01	wiper frame		1	
4	N 012 005 3	lock ring		2	
5	999 076 023 02	hexagon nut M 5		2	
6	911 628 338 00	washer 14,2		1	
7	999 078 014 02	hexagon nut M 14 X 1		1	
8	999 072 005 09	hexagon-head bolt M 6 X 12		2	
9	901 628 318 00	lever		1	
10	N 012 006 4	lock ring B 6		3	
11	900 076 025 02	hexagon nut M 6		2	
12	911 628 256 02	wiper bearing		1	CARRERA
(12)	911 628 256 01	wiper bearing		1	CARRERA M473 M 491 TURBO
14	911 628 251 03	bush		1	CARRERA
(14)	911 628 251 02	bush		1	CARRERA M473 M 491 TURBO
15	999 183 004 02	hexagon nut M 12 X 1		1	

Model	Year	MG	SG	Illustration	Restrictions	Update	9:09	17.08.2004	PORSCHE	PET	PORSCHE
911	89	9	04	904-05		179					

Pos	Part Number	Name	Remarks	Qty	Model	Pos	Part Number	Name	Remarks	Qty	Model
16	911 628 193 00	cap		1							
17	N 012 226 5	spring washer		1							
18	911 628 145 00	joint rod		1							
19	911 628 611 01	wiper arm		1							
19A	911 628 623 00	cap		1							
20	911 628 613 01	wiper blade		1							
-	911 617 106 01	diode		1							
		- - - E N D - - -									

Model	Year	MG	SG	Illustration	Restrictions	Update	9:09	17.08.2004	PORSCHE	PET	PORSCHE
911	89	9	04	904-10		179					

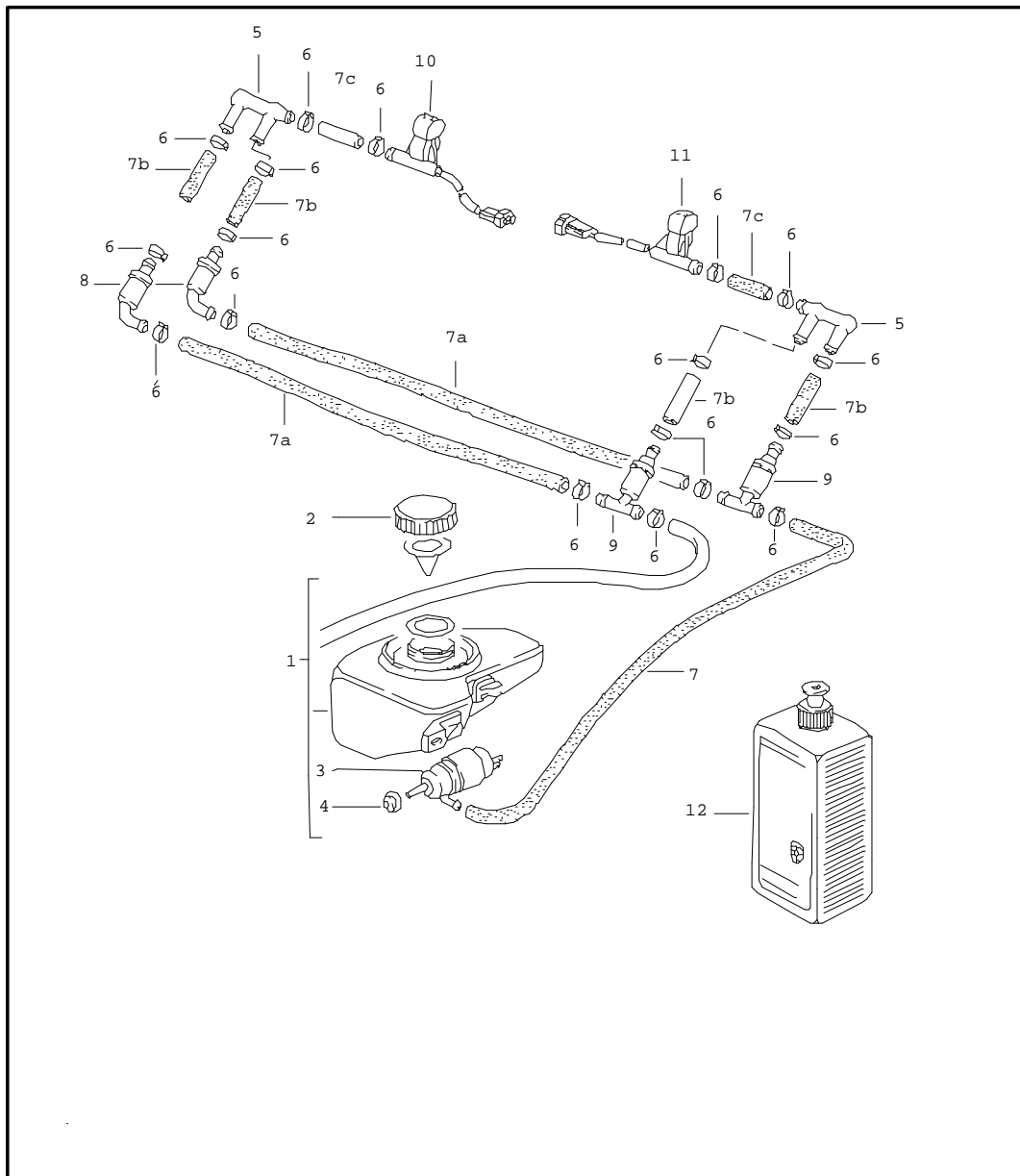


Pos	Part Number	Name	Remarks	Qty	Model
		windscreen washer system			
1	911 628 075 08	water reservoir		1	
(1)	911 628 075 07	water reservoir		1	M 288
		when required order also:			
1A	999 703 013 50	plug		1	
-	999 181 722 40	hose		X	
		4,6 X 8,2			
		300 MM		1	
		800 MM		1	
		650 MM		1	
		150 MM		1	
		500 MM		1	
		1790 MM		1	
		1060 MM		1	
		400 MM		1	
		25 MM		1	
3	911 628 749 00	t-piece		1	
4	911 628 081 00	restraining strap		1	
5	N 010 217 9	hexagon-head bolt		1	
		M 6 X 20			
6	N 012 007 2	lock ring		1	
		A 6			
7	900 151 003 02	washer		1	
		A 6,4			
8	911 628 236 00	filling hose		1	
		25 X 32 X 710			
9	999 512 356 02	hose clamp		2	
10	911 573 145 00	clamp		1	
11	900 187 025 02	hexagon-head tapping screw		1	
		B 5,5 X 13			
12	964 201 507 00	cover	-88	1	
12	964 201 507 00	cover	89-	1	
13	999 513 023 40	tie-wrap		2	
15	911 612 413 00	rubber sleeve		1	
16	914 628 741 00	plug		3	

Model	Year	MG	SG	Illustration	Restrictions	Update	9:09	17.08.2004	PORSCHE	PET	PORSCHE
911	89	9	04	904-10		179					

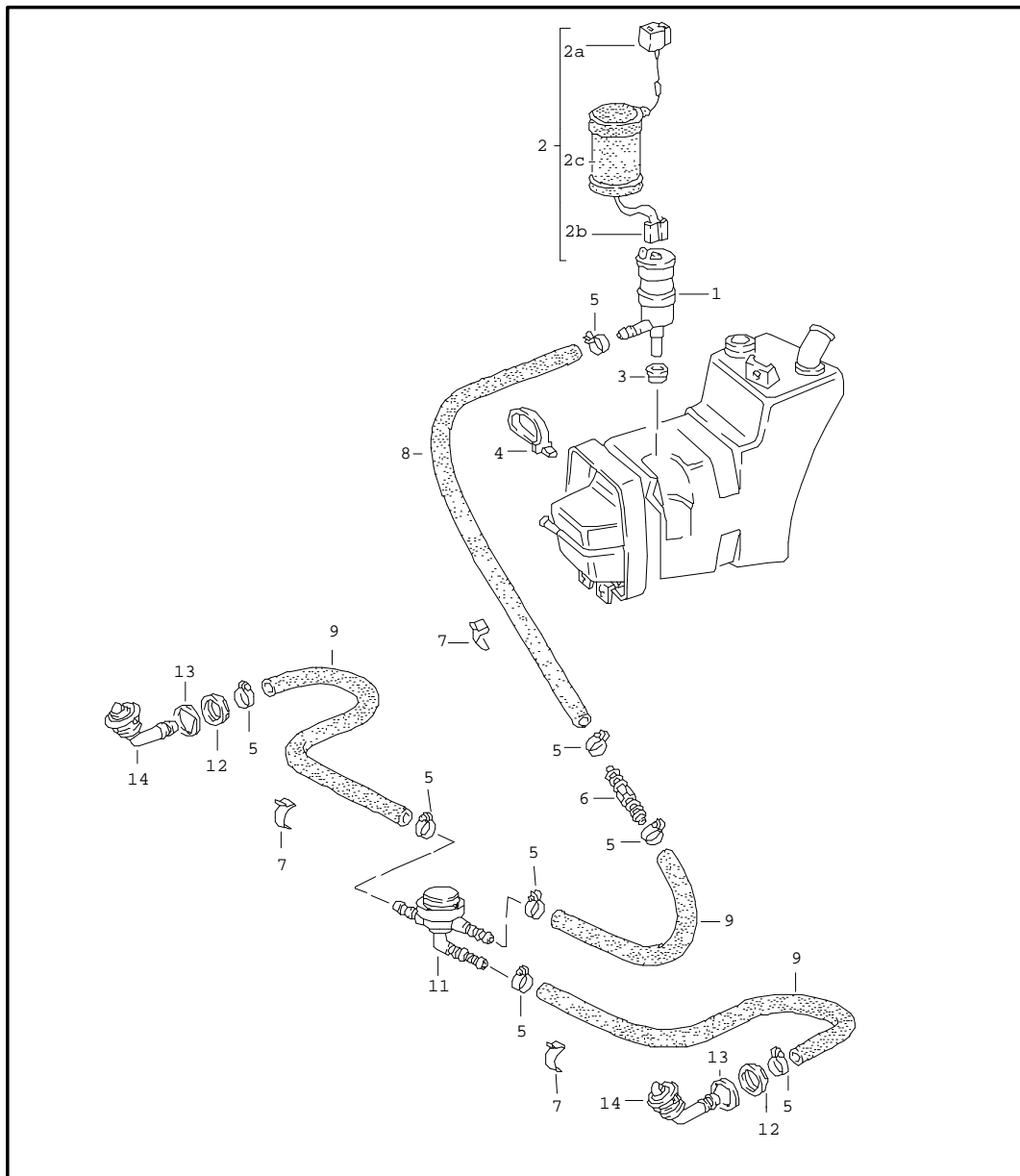
Pos	Part Number	Name	Remarks	Qty	Model	Pos	Part Number	Name	Remarks	Qty	Model
17	928 628 074 01	pump		1							
19	901 628 749 20	t-piece		1							
20	N 100 020 01	clamp		10							
22	914 628 433 00	valve		1							
23	477 955 481	valve		1							
24	944 628 077 00	nozzle	/L	1							
	01C	black									
24	928 628 077 00	nozzle	/R	1							
	01C	black									
31	911 628 735 00	threaded cover		1							
32	911 628 737 00	connecting piece		1							
33	911 628 743 00	closing gasket		1							
34	999 901 017 41	window cleaner 250 ML summer		X							
34	999 901 033 40	window cleaner 1000 ML winter		X							
		- - - E N D - - -									

Model	Year	MG	SG	Illustration	Restrictions	Update	9:09	17.08.2004	PORSCHE	PET	PORSCHE
911	89	9	04	904-15		179					



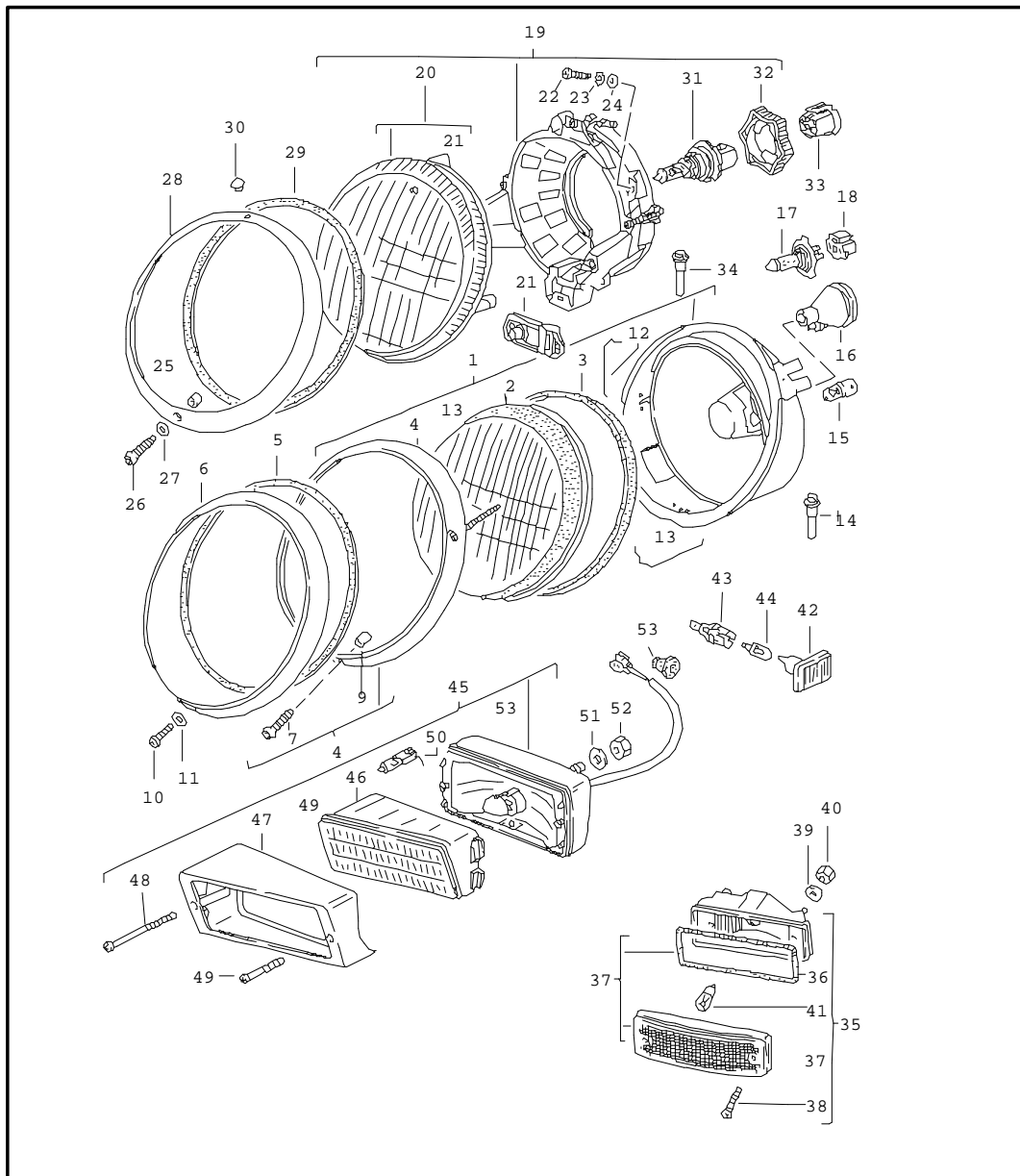
Pos	Part Number	Name	Remarks	Qty	Model
		intensive windscr. washer			
1	911 628 027 00	water reservoir		1	
2	911 628 077 00	threaded cover with gasket		1	
3	431 955 651	pump		1	
4	431 955 465 B	gasket		1	
5	911 628 617 00	connecting piece		1	
6	N 100 020 01	clamp		20	
-	999 181 722 40	hose 4,6 X 8,2		*	
7	-	600 MM		1	
7A	-	915 MM		2	
7B	-	20 MM		4	
7C	-	140 MM		2	
8	477 955 481	valve		2	
9	914 628 433 00	valve		2	
10	928 628 077 00	nozzle	/R	1	
	01C	black			
11	944 628 077 00	nozzle	/L	1	
	01C	black			
12	928 628 931 00	silicone remover 1 LITER		X	
		- - - E N D - - -			

Model	Year	MG	SG	Illustration	Restrictions	Update	9:09	17.08.2004	PORSCHE	PET	PORSCHE
911	89	9	04	904-20		179					



Pos	Part Number	Name	Remarks	Qty	Model
		headlight washer system			
1	191 955 681	pump		1	
2	911 612 179 01	wiring harness		1	
2A	999 652 192 47	connector housing		1	
2B	999 652 167 40	terminal sleeve housing		1	
2C	928 628 365 00	protection cap		1	
3	928 628 193 00	gasket		1	
4	999 513 008 40	tie-wrap		X	
5	N 023 570 2	hose clamp		8	
6	999 137 023 40	connecting socket		1	
7	999 651 128 09	cable terminal		6	
-	999 181 806 40	hose PVC 10 X 16 230 MM 640 MM		*	
11	281 955 187	valve		1	
12	900 281 002 40	hexagon nut		2	
13	951 628 173 00	desk pad		2	
14	911 628 071 01	jet carrier		2	
		- - - E N D - - -			

Model	Year	MG	SG	Illustration	Restrictions	Update	9:10	17.08.2004	PORSCHE	PET	PORSCHE
911	89	9	05	905-00		179					

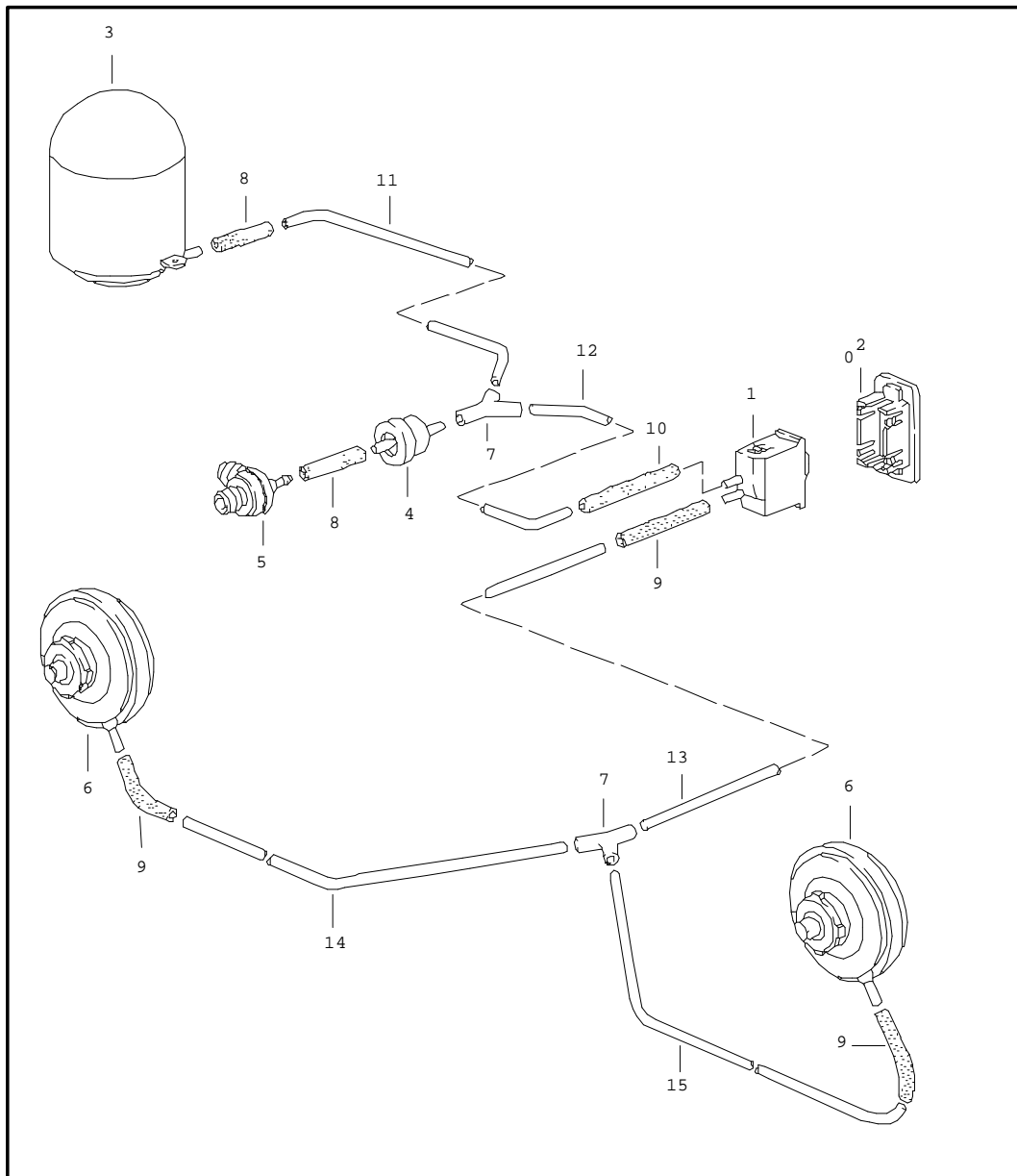


Pos	Part Number	Name	Remarks	Qty	Model
		headlamp			
1	911 631 113 02	headlamp	/LL	2	
1	911 631 112 02	headlamp		2	M 492
1	911 631 024 00	headlamp	/LL	2	M 605
1	911 631 023 00	headlamp		2	M 605/492
2	911 631 927 00	lens	/LL	2	
2	911 631 927 01	lens		2	M 492
3	911 631 967 00	gasket		2	
4	911 631 933 01	headlamp ring		2	
5	911 631 115 02	gasket		2	
6	911 631 141 00	headlamp ring		2	
7	911 631 033 00	screw		2	
9	911 631 139 00	spacer sleeve		2	
10	911 631 132 00	oval-head screw M 4 X 9		2	
11	113 951 539	washer		2	
12	901 631 116 02	locking spring upper		6	
13	644 631 122 00	locking spring lower		5	
14	911 631 259 02	drain tube		2	
15	900 631 103 90	bulb 12V 4W		2	
16	911 612 325 00	rubber sleeve for wiring harness headlamp		4	
17	999 631 202 90	halogen bulb H-4		2	
17	999 631 202 91	halogen bulb H-4		2	(F)
18	911 631 108 00	terminal sleeve housing		2	

Model	Year	MG	SG	Illustration	Restrictions	Update	9:10	17.08.2004	PORSCHE	PET	PORSCHE
911	89	9	05	905-00		179					

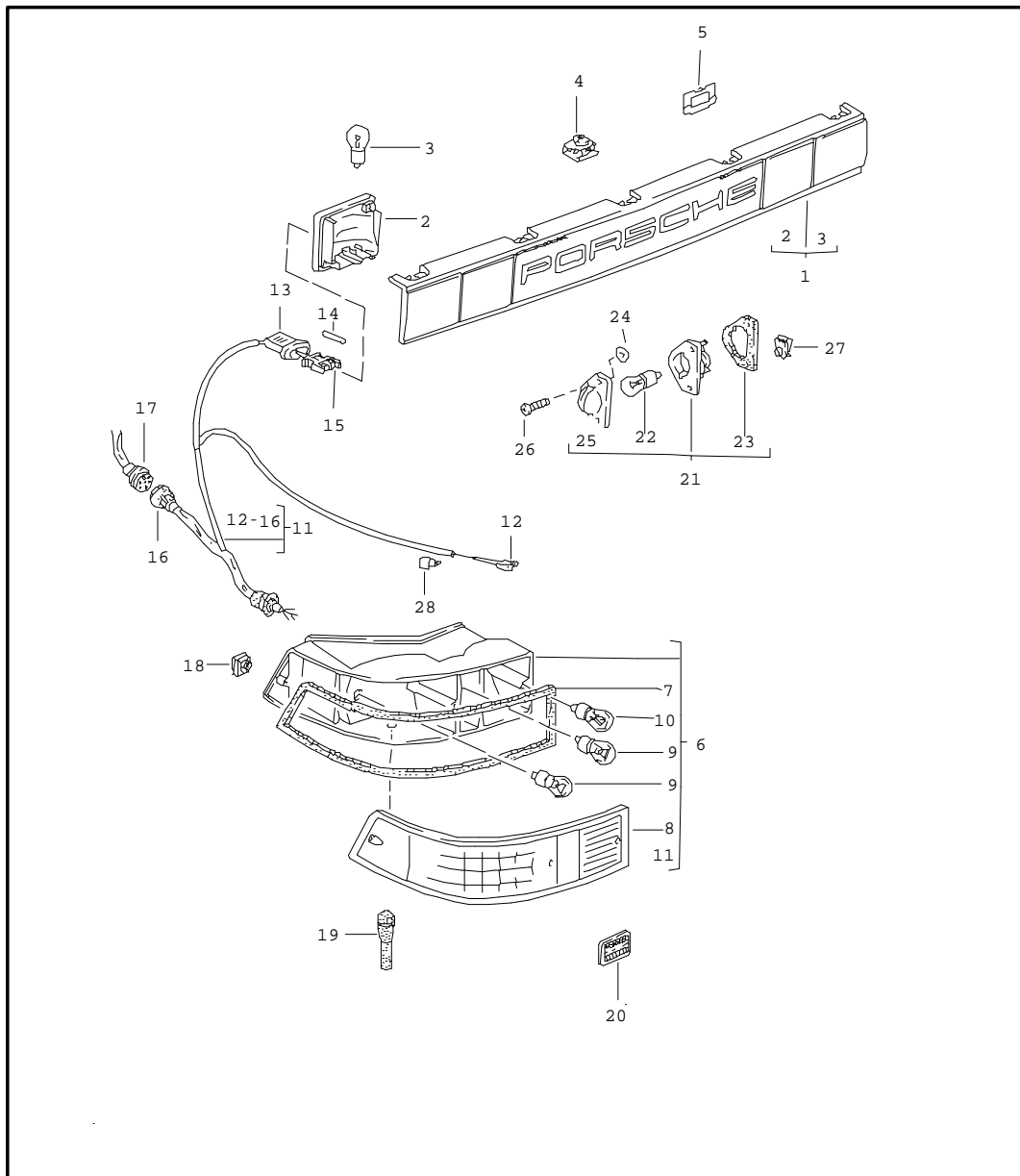
Pos	Part Number	Name	Remarks	Qty	Model	Pos	Part Number	Name	Remarks	Qty	Model
35	911 631 405 00	direction indicator light		2		51	900 151 026 02	washer B 10,5 X 30		2	
36	911 631 961 00	rubber seal		2		52	N 011 185 6	hexagon nut M 10		2	
37	911 631 914 00	lens		2		53	911 612 132 00	rubber sleeve		2	
38	911 631 918 00	oval-head sheetmetal screw		4				- - - E N D - - -			
39	900 025 003 02	washer A 5,3		4							
40	N 021 196 1	lock nut M 5		4							
41	900 631 127 90	bulb 12V 21W		2							
42	4A0 949 101	side turn signal		2							
43	161 949 111	bulb holder		2							
44	999 631 032 90	bulb 12V 5W		2							
45	911 631 203 00	fog headlamp	/L	1							
45	911 631 204 00	fog headlamp	/R	1							
45	911 631 203 01	fog headlamp	/L	1	(F)						
45	911 631 204 01	fog headlamp	/R	1	(F)						
46	911 631 941 01	light-diffusing lens	/L	1							
46	911 631 942 01	light-diffusing lens	/R	1							
46	911 631 941 00	light-diffusing lens	/L	1	(F)						
46	911 631 942 00	light-diffusing lens	/R	1	(F)						
47	911 631 981 00	frame for light	/L	1							
47	911 631 982 00	frame for light	/R	1							
48	911 631 983 00	oval-head screw M 4 X 80		2							
49	911 631 984 00	oval-head screw M 4 X 37		2							
50	900 631 126 90	halogen bulb H - 3		2							

Model	Year	MG	SG	Illustration	Restrictions	Update	9:10	17.08.2004	PORSCHE	PET	PORSCHE
911	89	9	05	905-02		179					



Pos	Part Number	Name	Remarks	Qty	Model
		headlight levelling system			M 605
1	911 631 231 00	switch		1	
2	911 613 342 00	rose		1	
		01C black			
3	911 631 357 00	vacuum tank		1	
4	928 537 361 02	valve		1	
5	477 611 933 A	check valve		1	
6	911 631 223 00	actuator		2	
7	928 573 727 02	distributing piece		2	
-	999 181 070 40	connecting hose 3,5 X 8 120 MM 260 MM		*	
-	999 181 071 40	connecting hose 3,5 X 8 260 MM		*	
11	911 631 711 01	vacuum line 1120 MM	/LL	1	
11	911 631 711 02	vacuum line 580 MM	/RL	1	
12	911 631 711 00	vacuum line 360 MM	/LL	1	
12	911 631 711 03	vacuum line 550 MM	/RL	1	
13	911 631 710 00	vacuum line 1250 MM	/LL	1	
13	911 631 710 03	vacuum line 2350 MM	/RL	1	
14	911 631 710 02	vacuum line 1350 MM		1	
15	911 631 710 01	vacuum line 380 MM		1	
		- - - E N D - - -			

Model	Year	MG	SG	Illustration	Restrictions	Update	9:10	17.08.2004	PORSCHE	PET	PORSCHE
911	89	9	05	905-05		179					

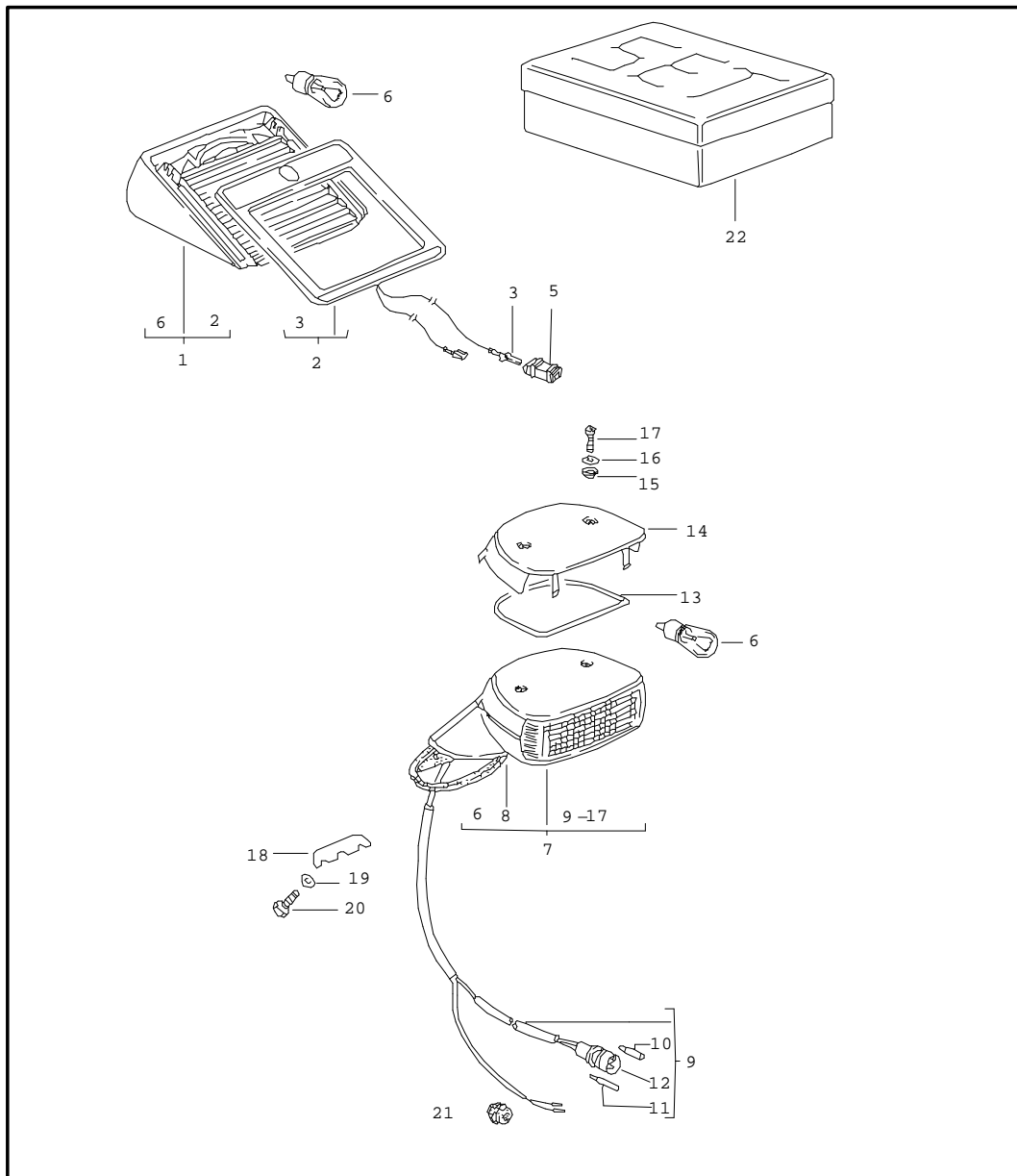


Pos	Part Number	Name	Remarks	Qty	Model
1	911 633 123 01	covering combined lights rear		1	
1	911 633 123 00	covering with rear foglamp with reflector		1	
1	911 633 123 02	covering with rear foglamp without reflector		1	(USA) M 215
1	911 633 123 01	covering without rear foglamp with reflector		1	
1	911 633 123 00	covering without rear foglamp without reflector		1	
2	911 633 027 00	reflector		2	
3	900 631 127 90	bulb 12V 21W		2	
4	911 633 031 00	fastening part		5	
5	911 633 127 00	clip		5	
6	911 631 403 33	combined lights with rear foglamp rear fog light	/L	1	
(6)	911 631 403 33	combined lights without rear foglamp	/L	1	
(6)	911 631 404 33	combined lights with rear foglamp	/R	1	
(6)	911 631 404 33	combined lights without rear foglamp	/R	1	
7	911 631 971 01	gasket	/L	1	
(7)	911 631 971 00	gasket	/R	1	
8	911 631 949 00	lens	/L	1	
(8)	911 631 950 00	lens	/R	1	

Model	Year	MG	SG	Illustration	Restrictions	Update	9:10	17.08.2004	PORSCHE	PET	PORSCHE
911	89	9	05	905-05		179					

Pos	Part Number	Name	Remarks	Qty	Model	Pos	Part Number	Name	Remarks	Qty	Model
9	900 631 127 90	bulb 12V 21W		4		27	911 505 339 00	speed nut BG 3,5		4	(USA)(J)
10	900 631 128 90	bulb 12V 21/5W		2		28	999 591 381 02	cable clamp		2	
11	911 612 039 12	wiring harness with rear foglamp	/L	1				- - - E N D - - -			
11	911 612 039 12	wiring harness with rear foglamp	/R	1							
(11)	911 612 039 15	wiring harness without rear foglamp		2							
12	111 971 958	flat receptacle		4							
13	911 631 261 00	protection cap		2							
14	944 612 548 00	contact bush		4							
15	944 612 547 00	connector housing		2							
16	911 612 332 00	socket		2							
17	911 612 331 00	connector 7-pole		2							
18	999 507 312 12	captive nut		4							
19	911 631 259 02	drain tube		2							
20	930 633 101 01	reflector		2	TURBO/ CARRERA M491						
21	911 631 620 04	license plate light		2							
22	900 631 104 90	bulb 12 V - 5 W light-diffusing lens		2							
23	911 631 608 00	gasket		2							
24	911 631 604 00	sealing washer 6,5 X 2,7 X 0,5		4							
25	911 631 606 00	lens		2							
26	900 146 041 07	oval-head screw BM 3 X 15		4							
(26)	900 143 116 07	oval-head sheetmetal screw B 3,5 X 22		4	(USA)(J)						

Model	Year	MG	SG	Illustration	Restrictions	Update	9:10	17.08.2004	PORSCHE	PET	PORSCHE
911	89	9	05	905-10		179					



Pos	Part Number	Name	Remarks	Qty	Model
		additional stoplamp			
1	911 631 080 00	brake light lower		1	COUPE
(1)	911 631 070 01	brake light lower		1	TARGA
(1)	911 631 070 00	brake light		1	COUPE/TARGA
		01C black upper			
2	911 631 061 01	frame for light lower		1	COUPE/TARGA
(2)	911 631 061 00	frame for light upper		1	COUPE/TARGA
3	111 971 985	flat plug		1	
5	813 972 643 A	socket		1	
6	900 631 127 90	bulb 12V 21W		1	
7	911 631 072 00	brake light outer for cars with spoiler		1	
(7)	911 631 071 00	brake light		1	CABRIO
8	911 631 181 00	gasket for 911.631.072.00		1	
8	911 631 458 00	gasket for 911.631.071.00		1	CABRIO
9	911 612 049 03	wiring harness		1	
10	944 612 427 00	contact bush		2	
11	944 612 428 00	pin		1	
12	944 612 436 00	connector		1	
13	911 631 457 00	gasket		1	
14	911 631 452 00	cover		1	
15	911 631 422 00	rubber washer		2	

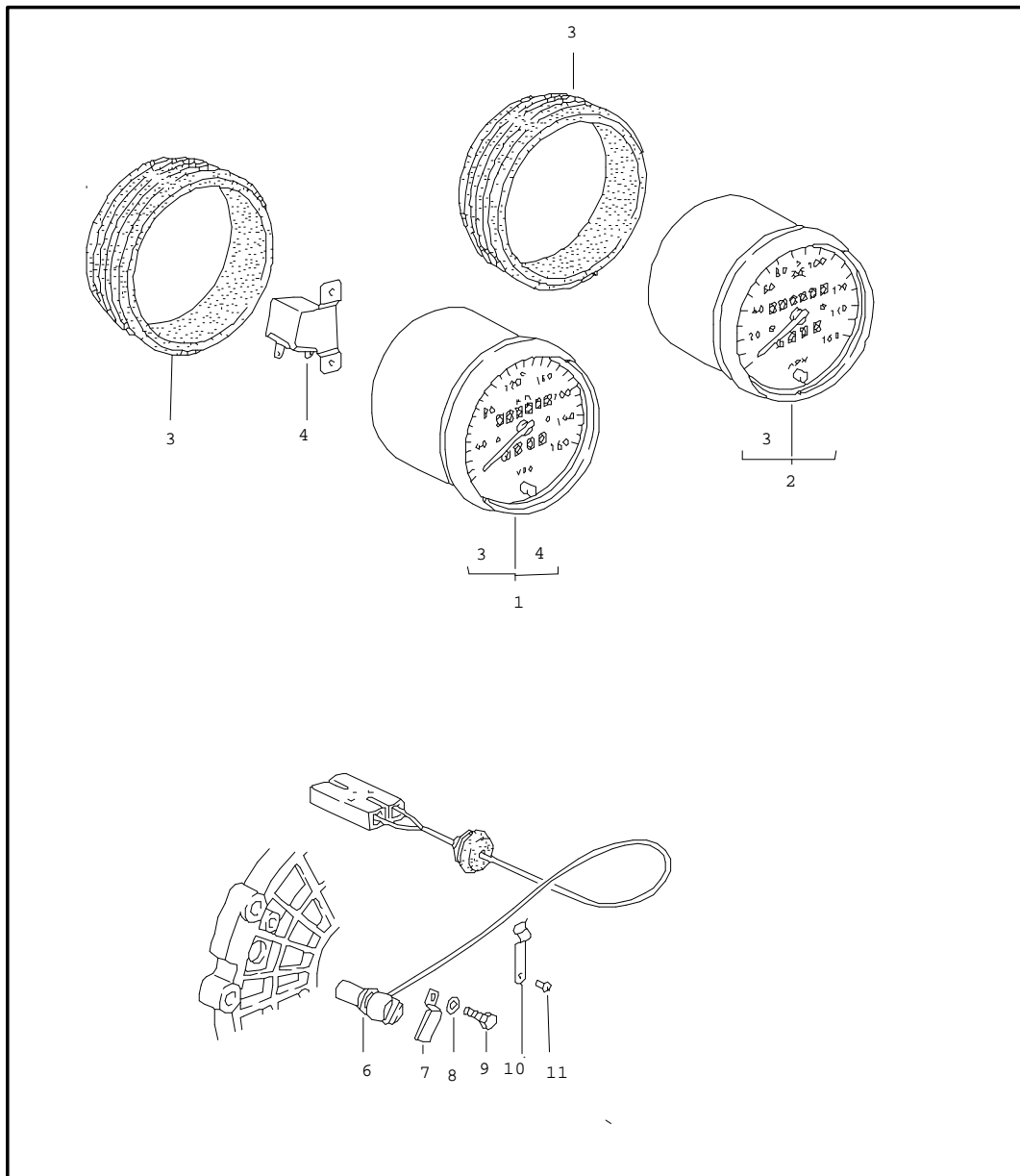
Model	Year	MG	SG	Illustration	Restrictions	Update	9:10	17.08.2004	PORSCHE	PET	PORSCHE
911	89	9	05	905-10		179					

Pos	Part Number	Name	Remarks	Qty	Model	Pos	Part Number	Name	Remarks	Qty	Model
16	911 631 421 00	plastic washer PA 6		2							
17	900 146 067 07	lens-head screw M 4 X 12		2							
18	911 631 419 00	desk pad		1							
19	N 011 666 7	washer B 6,4		2							
20	999 072 005 09	hexagon-head bolt M 6 X 12		2							
21	999 702 140 40	rubber sleeve 4 X 21 X 8		1							
22	A 000 043 069 00	adhesive set for frame for light		1							
		- - - E N D - - -									

Model	Year	MG	SG	Illustration	Restrictions	Update	9:10	17.08.2004	PORSCHE	PET	PORSCHE
911	89	9	06	906-00		179					

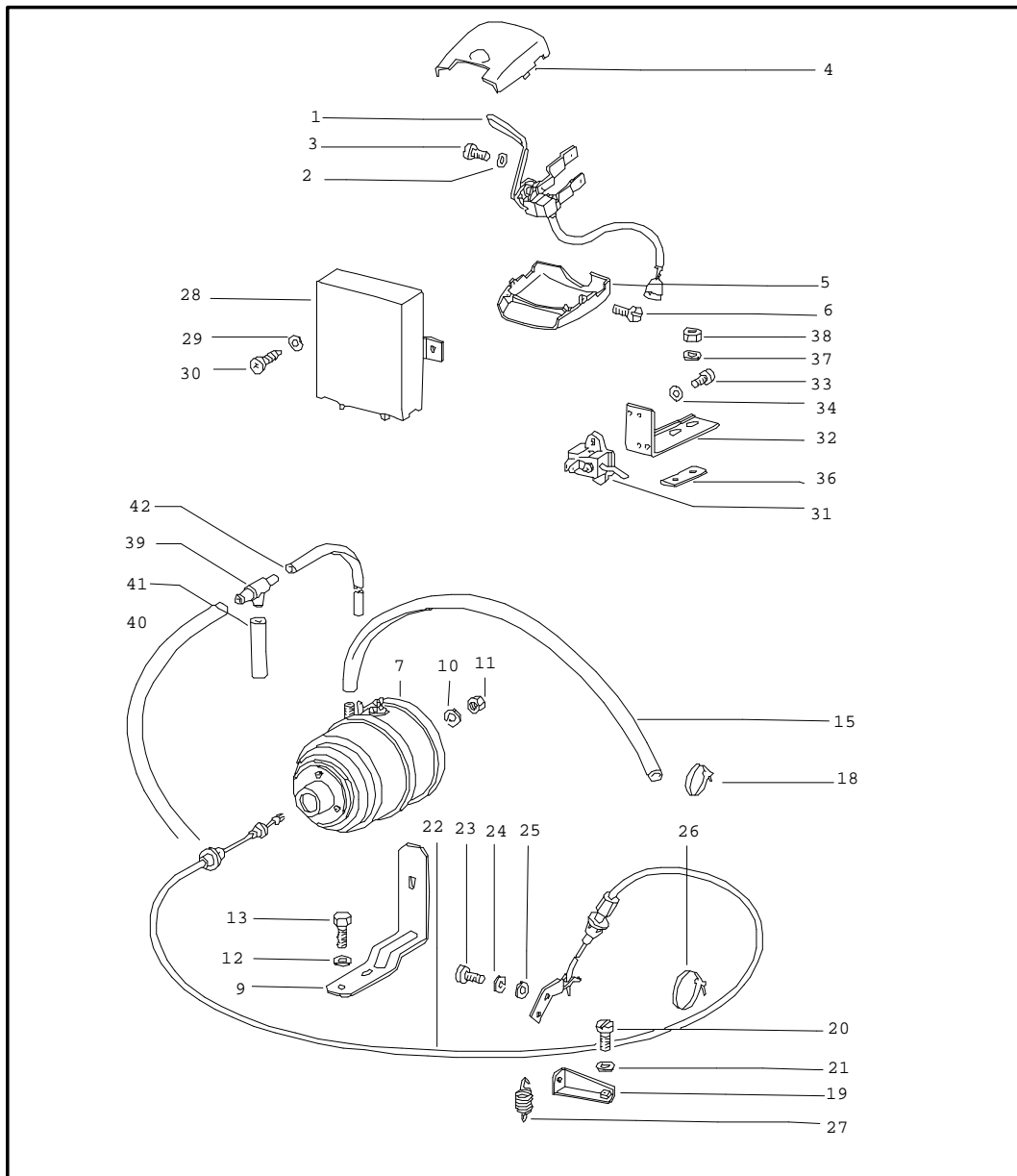
Pos	Part Number	Name	Remarks	Qty	Model
		instruments			
1	911 641 923 00	instrument cluster 100 \$		1	
3	911 641 902 01	rubber ring 100 \$		2	
4	911 641 301 06	tachometer		1	CARRERA
4	911 641 301 07	tachometer		1	CARRERA M637
5	930 641 302 01	tachometer		1	TURBO
6	911 641 903 01	rubber ring 115 \$		2	
7	911 641 202 03	instrument cluster 80 \$		1	
8	911 641 701 29	clock			
9	911 641 901 01	rubber ring 80 \$		2	
10	900 631 102 90	bulb 12 V - 2 W		X	
11	999 632 009 10	bulb holder		X	
12	999 632 002 00	bulb holder		X	
13	900 631 103 90	bulb 12 V - 4 W		X	
14	911 641 931 00	instrument temperature gauge		1	M 097
-	911 799 612 80	wiring harness for temperature gauge		1	M 097
-	911 799 612 81	wiring harness for temperature gauge centre console		1	M 097
		- - - E N D - - -			

Model	Year	MG	SG	Illustration	Restrictions	Update	9:11	17.08.2004	PORSCHE	PET	PORSCHE
911	89	9	06	906-05		179					



Pos	Part Number	Name	Remarks	Qty	Model
		speedometer			
1	911 641 516 06	speedometer 260 KM/H		1	CARRERA
(1)	930 641 507 01	speedometer 300 KM/H		1	TURBO
2	930 641 508 00	speedometer 170 MPH + 270 KM/H		1	(GB) (HK)
3	911 641 902 01	rubber ring 100 \$		4	
4	911 641 111 00	buzzer		1	(SA)
6	911 606 209 01	pulse sender	-88	1	TURBO
6	911 606 910 01	pulse sender	89-	1	TURBO
6	911 606 910 01	pulse sender		1	CARRERA
(7)	915 660 509 00	tensioning spring	-88	1	TURBO
7	964 606 219 00	tab washer	89-	1	
7 A	964 606 219 00	tab washer	89-	1	TURBO
7 A	964 606 219 00	tab washer		1	CARRERA
8	900 025 014 02	washer 6,4		1	TURBO
9	999 072 005 09	hexagon-head bolt M 6 X 12		1	
10	911 612 406 01	cable holder		1	TURBO
11	900 093 010 02	grooved nail 3 X 8		1	TURBO
- - - E N D - - -					

Model	Year	MG	SG	Illustration	Restrictions	Update	9:11	17.08.2004	PORSCHE	PET	PORSCHE
911	89	9	07	907-00		179					

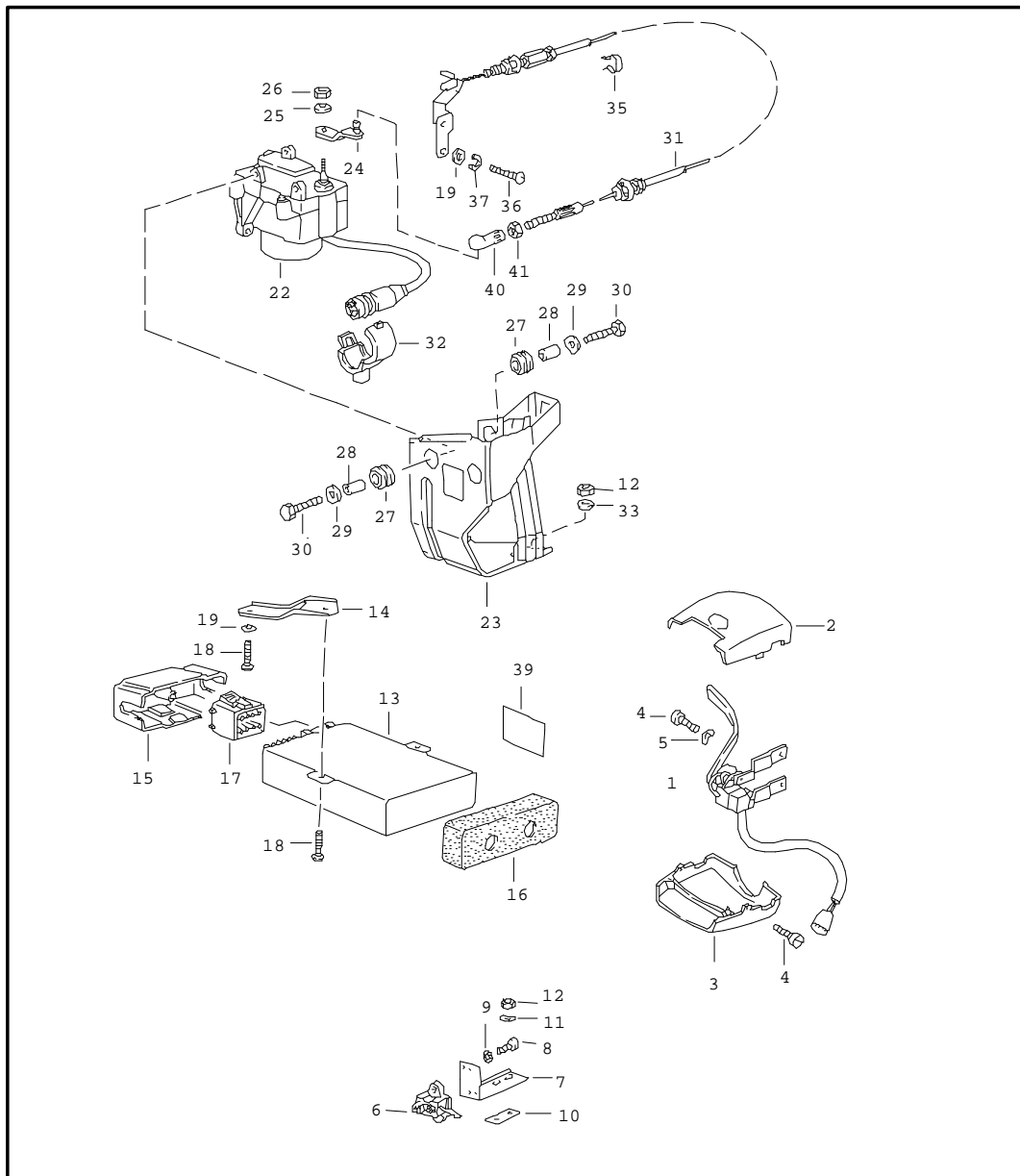


Pos	Part Number	Name	Remarks	Qty	Model
		cruise control	87		
1	911 613 102 01	switch		1	
2	900 115 007 01	serrated lock washer 3,2		2	
3	900 014 079 02	pan-head screw M 3 X 10		2	
4	911 613 311 02	switch housing upper part		1	
5	911 613 312 02	switch housing lower part		1	
6	900 014 079 02	pan-head screw M 3 X 10		2	
7	911 617 123 02	drive link		1	
9	911 617 127 00	support		1	
10	900 027 015 02	lock ring B 8		1	
11	900 076 025 02	hexagon nut M 8		1	
12	N 011 524 7	washer A 6,4		2	
13	900 075 260 02	hexagon-head bolt M 6 X 16 SB		2	
-	N 020 359 1	hose 9 X 15		*	
15	-	670 MM		1	
18	999 513 010 40	tie-wrap 140 MM		1	
19	911 110 226 00	retaining bracket		1	
20	900 071 005 02	oval-head screw M 5 X 10		1	
21	900 028 007 02	spring washer B 5		1	
(22)	911 617 124 04	bowden cable		1	

Model	Year	MG	SG	Illustration	Restrictions	Update	9:11	17.08.2004	PORSCHE	PET	PORSCHE
911	89	9	07	907-00		179					

Pos	Part Number	Name	Remarks	Qty	Model	Pos	Part Number	Name	Remarks	Qty	Model
23	900 146 005 02	oval-head screw M 5 X 8		2		40	-	130 MM		1	
24	900 027 003 02	lock ring A 5		2		-	999 181 167 50	hose C 4,5 X 9,5		*	
25	900 025 003 02	washer A 5,3		2		42	-	500 MM		1	
26	999 513 010 40	tie-wrap 250 MM		2				- - - E N D - - -			
27	911 110 227 00	gas prop		1							
28	928 617 127 00	cruise control regulator		1							
29	900 028 007 02	spring washer B 5	/LL	2							
30	900 146 003 02	oval-head screw M 5 X 10 regulator boot floor plate	/LL	2							
-	999 507 028 02	speed nut B 4,2	/RL	1							
-	900 143 007 02	tapping screw B 4,2	/RL	1							
31	911 613 411 00	stop light switch		1							
32	911 613 131 00	support		1							
33	900 146 011 02	oval-head screw M 4 X 10		2							
34	900 114 014 01	shake-proof washer A 4,3		2							
36	911 613 132 00	plate		1							
37	N 012 226 5	spring washer B 6		2							
38	900 076 010 02	hexagon nut M 6		2							
39	321 611 813	t-socket		1							
-	N 020 359 1	hose C 9 X 15 45 MM		*							
				1							

Model	Year	MG	SG	Illustration	Restrictions	Update	9:11	17.08.2004	PORSCHE	PET	PORSCHE
911	89	9	07	907-01		179					

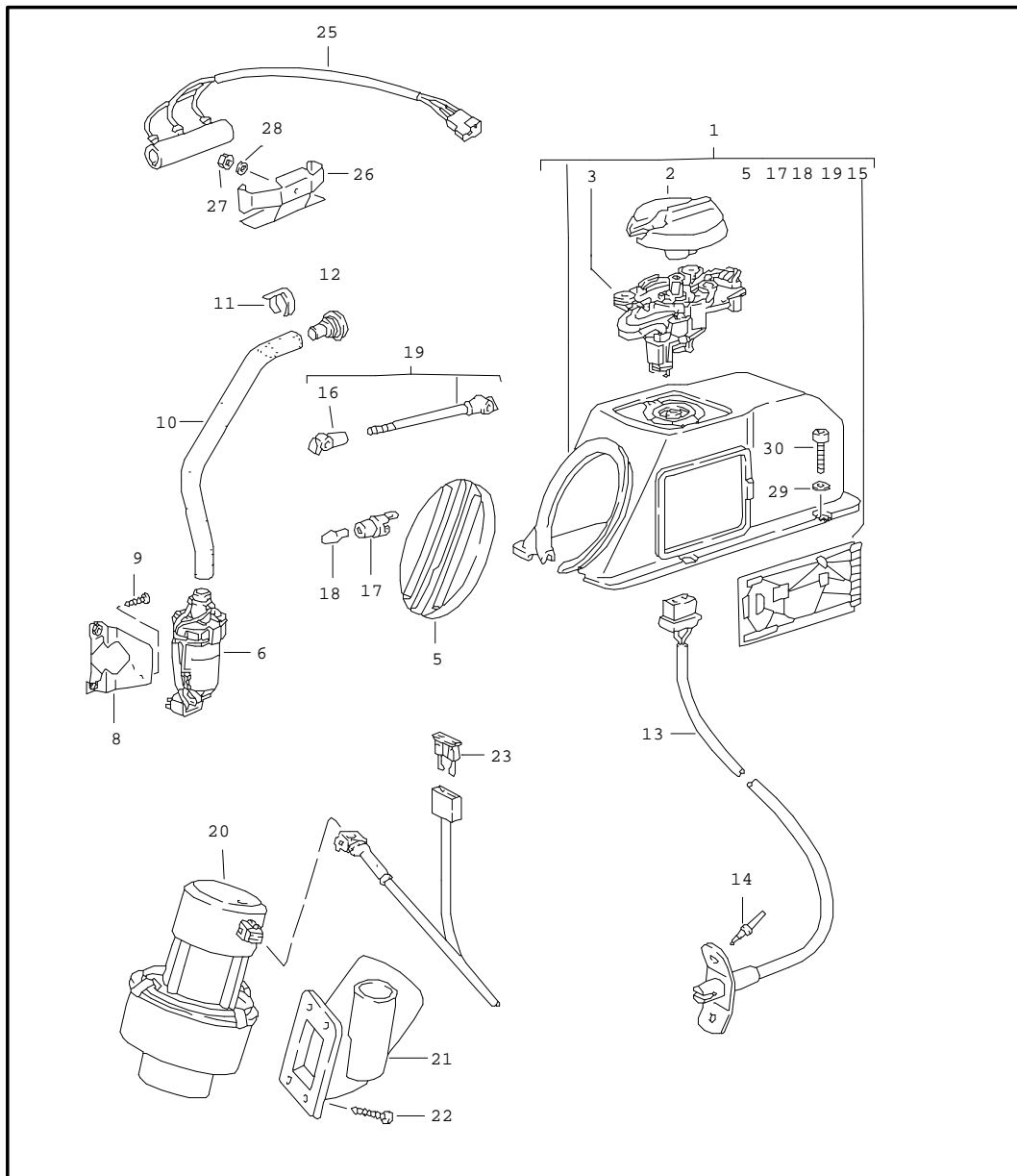


Pos	Part Number	Name	Remarks	Qty	Model
		cruise control	88-		
1	911 613 102 01	switch		1	
2	911 613 311 02	switch housing upper		1	
3	911 613 312 02	switch housing lower		1	
4	900 014 079 02	pan-head screw M 3 X 10		4	
5	900 115 007 01	serrated lock washer A 3,2		2	
6	911 613 411 00	stop light switch		1	
7	911 613 131 00	support		1	
8	900 146 011 02	oval-head screw M 4 X 10		2	
9	900 114 014 01	shake-proof washer A 4,3		2	
10	911 613 132 00	plate		1	
11	N 012 226 5	spring washer B 6		2	
12	900 076 010 02	hexagon nut M 6		3	
13	911 617 227 00	control unit		1	
14	911 617 021 00	support	/LL	1	
(14)	911 617 022 00	support	/RL	1	
15	911 617 133 02	cap	/LL	1	
16	911 617 134 00	cap	/RL	1	
17	911 617 427 00	coding plug		1	
18	900 146 003 02	oval-head screw M 5 X 10		3	
19	900 025 003 02	washer A 5,3		4	
22	944 617 121 00	drive link		1	

Model	Year	MG	SG	Illustration	Restrictions	Update	9:11	17.08.2004	PORSCHE	PET	PORSCHE
911	89	9	07	907-01		179					

Pos	Part Number	Name	Remarks	Qty	Model	Pos	Part Number	Name	Remarks	Qty	Model
23	911 617 047 00	support		1							
24	911 617 043 01	rubber mounting		1							
25	N 012 229 3	spring washer A 8		1							
26	N 011 018 4	hexagon nut M 8 X 1		1							
27	999 702 133 40	rubber mounting 10 X 18 X 2		3							
28	999 531 014 02	bush 6,1 X 10,2		3							
29	N 011 666 7	washer B 6,4		6							
30	900 075 017 02	hexagon-head bolt M 6 X 25		3							
31	911 617 124 05	bowden cable		1							
32	944 612 450 00	support		1							
33	N 011 524 7	washer A 6,4		1							
35	477 971 851	cable clip		1							
36	N 014 128 13	oval-head screw M 5 X 8		2							
37	N 012 005 3	lock ring B 5		2							
40	N 015 521 3	ball socket		1							
41	N 011 005 14	hexagon nut M 5		1							
		- - - E N D - - -									

Model	Year	MG	SG	Illustration	Restrictions	Update	9:11	17.08.2004	PORSCHE	PET	PORSCHE
911	89	9	08	908-00		179					

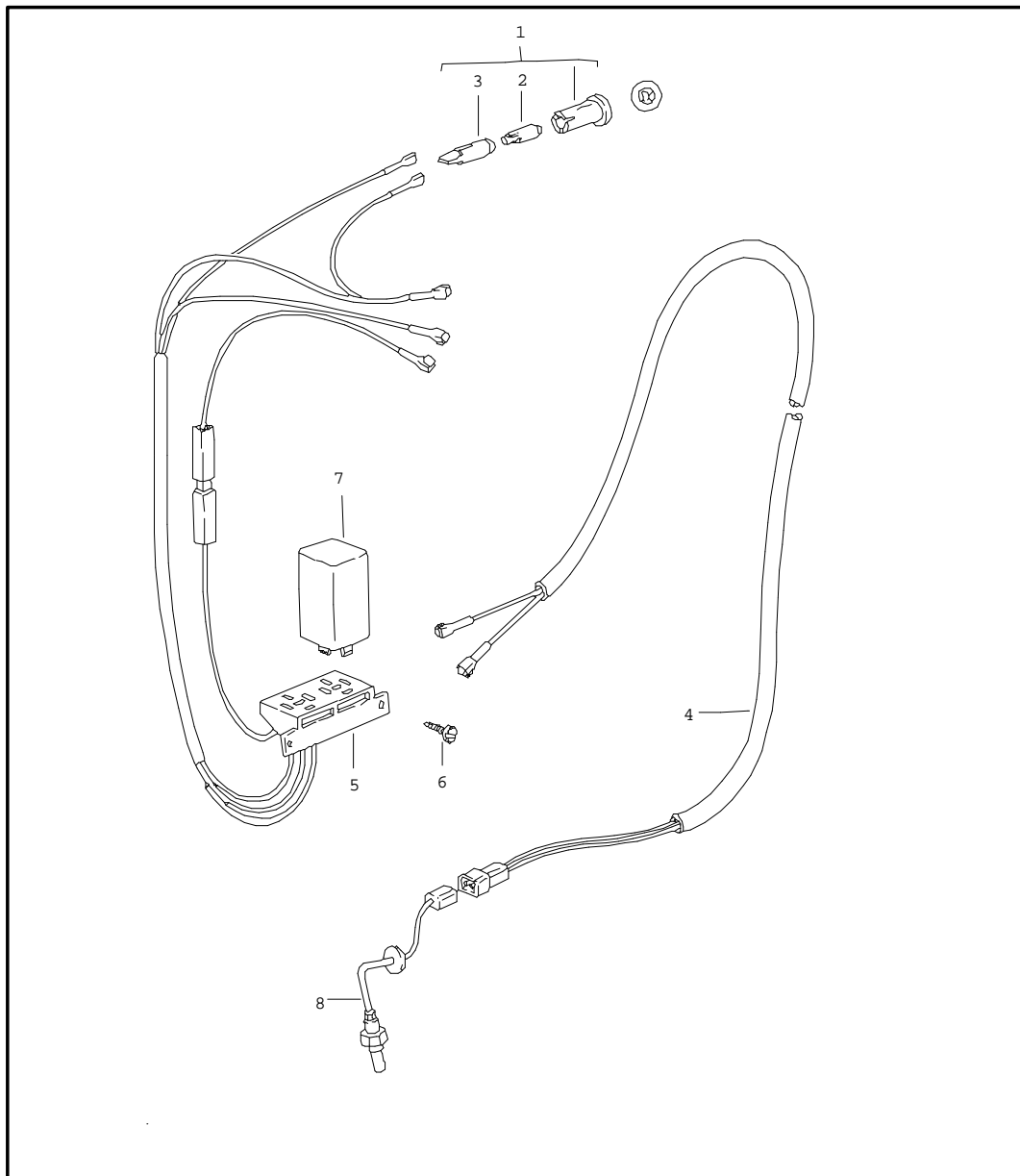


Pos	Part Number	Name	Remarks	Qty	Model
1	911 659 049 03	heating additional blower control mechanism automatic		1	CARRERA M 424
(1)	930 659 059 01	control mechanism		1	TURBO
2	911 659 110 00	knob		1	
3	911 659 045 03	switch for control mechanism		1	
5	911 424 591 05	sleeve for control mechanism automatic		1	
6	911 624 065 00	interior sensor		1	
8	911 552 357 00	bracket		1	
9	900 138 001 02	tapping screw B 2,9 X 6,5		2	
10	911 572 527 00	connecting hose	/LL	1	
(10)	911 572 528 00	connecting hose	/RL	1	
11	911 572 525 00	clamping piece		1	
12	911 572 523 00	intake manifold		1	
13	911 659 101 00	01C caloric feeler		1	
14	999 190 129 02	blind rivet		2	
15	911 659 058 02	printed circuit board		1	
16	999 168 021 40	ball socket	87	2	
16	999 168 021 40	ball socket	88-	2	
17	999 632 015 00	bulb holder		1	
18	900 631 132 90	bulb 12 V - 1,2 W		1	
19	911 659 303 00	connecting rod		1	
20	911 624 043 02	blower	/L	1	

Model	Year	MG	SG	Illustration	Restrictions	Update	9:11	17.08.2004	PORSCHE	PET	PORSCHE
911	89	9	08	908-00		179					

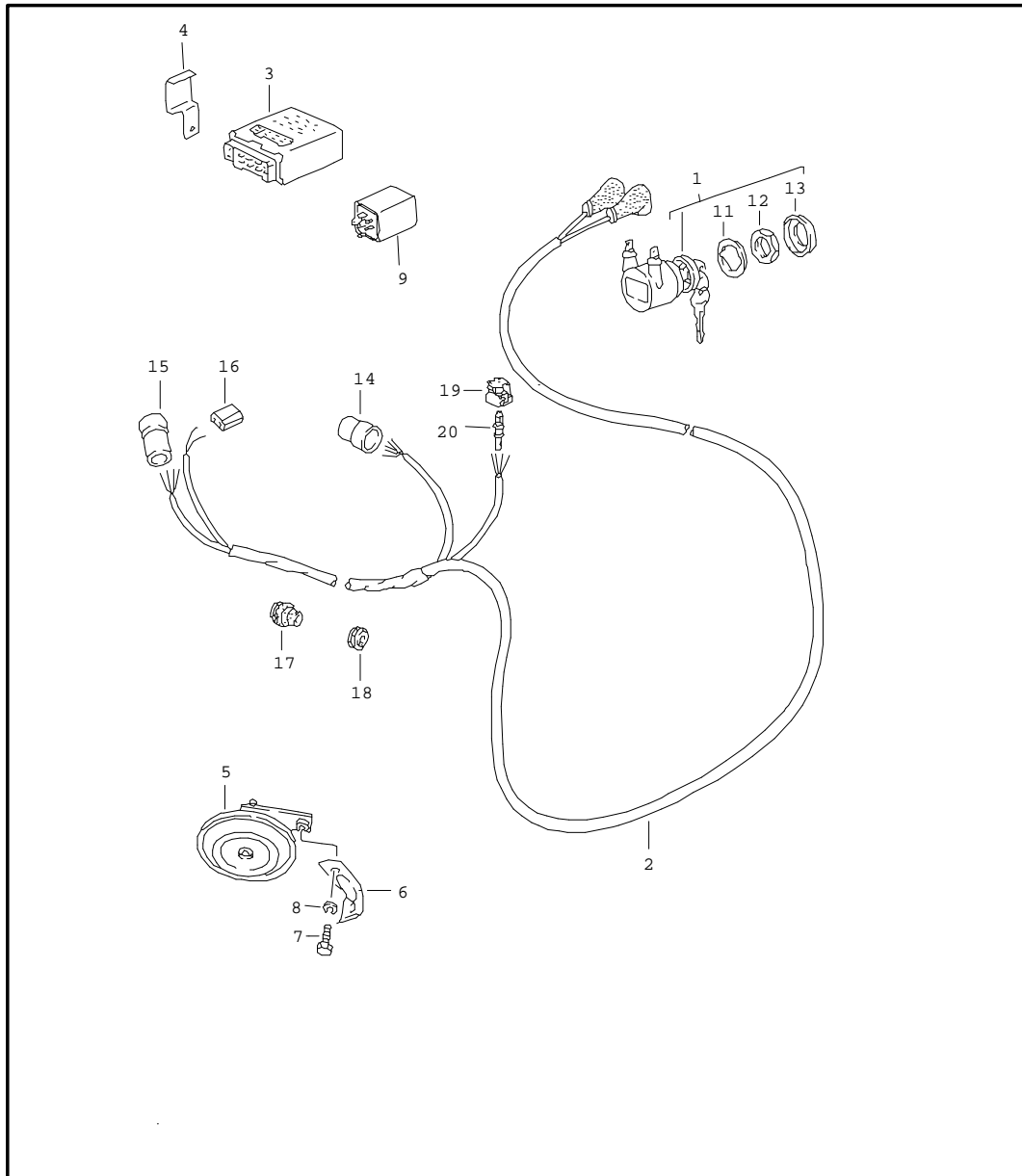
Pos	Part Number	Name	Remarks	Qty	Model	Pos	Part Number	Name	Remarks	Qty	Model
(20)	911 624 044 02	blower	/R	1							
21	911 571 137 00	double socket	/L	1							
(21)	911 571 138 00	double socket	/R	1							
22	999 919 018 00	screw 3,5 X 10		8							
23	N 017 131 11	fuse 10 A		2							
25	911 616 011 00	resistor		1							
26	911 616 113 01	support for resistor		1							
27	900 076 010 02	hexagon nut M 6		1							
28	N 011 524 7	washer A 6,4		1							
29	N 012 225 2	spring washer B 5		4							
30	900 067 125 07	pan-head screw M 5 X 20		4							
		- - - E N D - - -									

Model	Year	MG	SG	Illustration	Restrictions	Update	9:11	17.08.2004	PORSCHE	PET	PORSCHE
911	89	9	09	909-00		179					



Pos	Part Number	Name	Remarks	Qty	Model
		emission control			(J)
1	911 632 015 01	indicator light -EX-		1	
2	900 631 132 90	bulb 12 V - 1,2 W		1	
3	111 919 243	bulb holder		1	
4	930 612 171 00	wiring harness for temperature sensor		1	
5	930 612 169 02	wiring harness for indicator light		1	
6	N 013 970 5	tapping screw B 4,8 X 9,5		1	
7	911 617 119 00	switch unit		1	CARRERA
(7)	043 906 086	switch unit		1	TURBO
8	-	see group 2/02/00		1	
		- - - E N D - - -			

Model	Year	MG	SG	Illustration	Restrictions	Update	9:12	17.08.2004	PORSCHE	PET	PORSCHE
911	89	9	10	910-00		179					

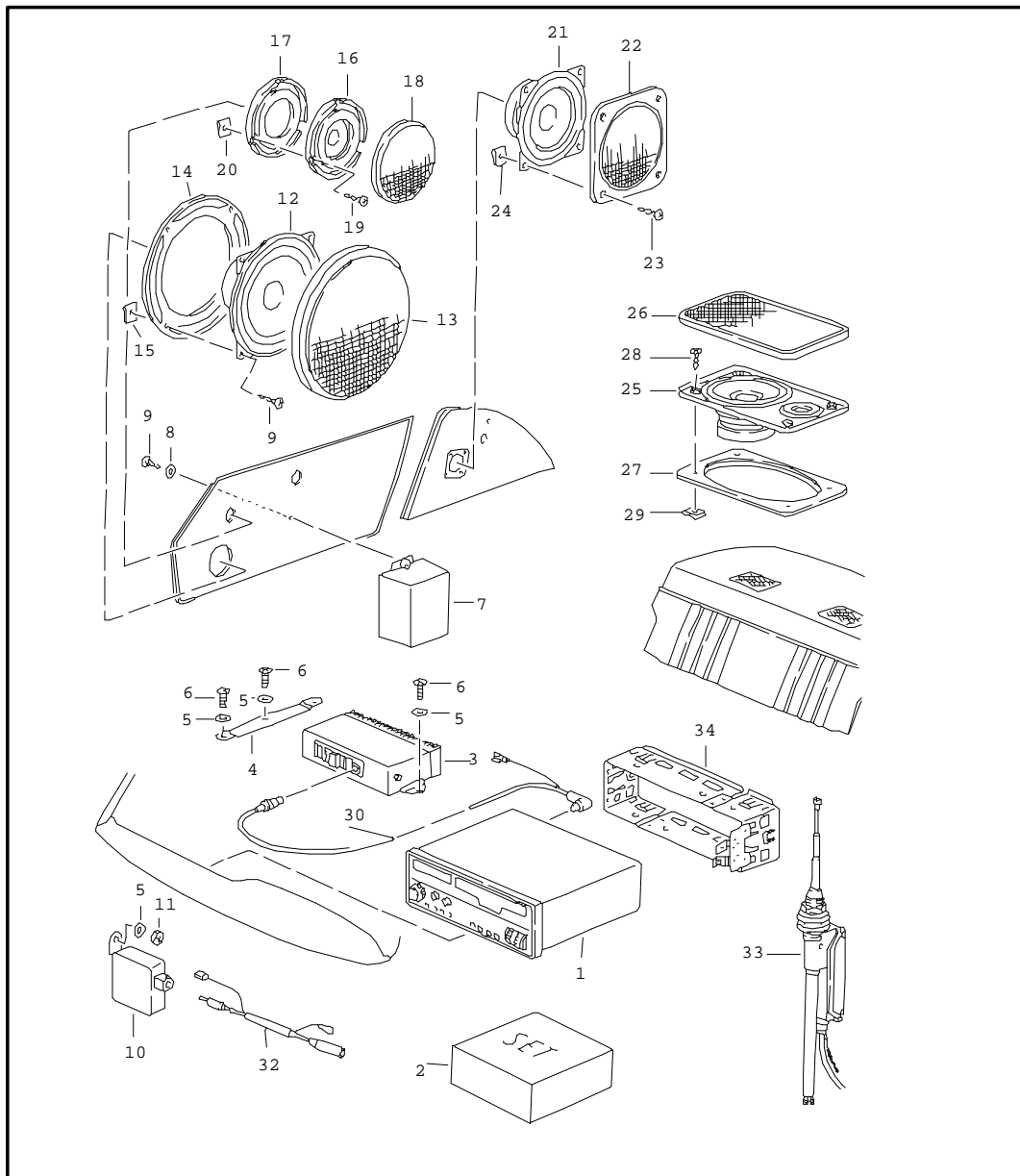


Pos	Part Number	Name	Remarks	Qty	Model
		alarm system			
1	911 637 101 00	alarm switch with key	/LL	1	
2	911 612 165 05	wiring harness driver's door	/LL -88	1	
3	911 637 104 02	control unit	/LL -88	1	CARRERA
3	928 637 104 03	control unit	89	1	CARRERA
3	911 637 104 03	control unit	/LL -88	1	CARRERA (CH)
3	928 637 104 04	control unit	89	1	CARRERA (CH)
3	911 637 104 00	control unit	/LL -88	1	TURBO
3	930 637 104 01	control unit	89	1	TURBO
4	911 637 117 00	support	/LL 87	1	
4	911 635 093 00	retaining bracket	88-	1	
5	944 637 103 01	horn		1	
6	911 635 093 00	retaining bracket		1	
7	N 010 239 11	hexagon-head bolt M 8 X 18		1	
8	900 027 015 02	lock ring		1	
11	477 951 255	washer	/LL -88	1	
12	911 637 125 00	hexagon nut M 21 X 0,75	/LL -88	1	
13	477 951 251	rose	/LL -88	1	
14	803 971 979	plug socket	/LL -88	1	
15	803 971 980	connector	/LL -88	1	
16	171 971 999 A	terminal sleeve housing	/LL -88	1	
17	477 957 861	rubber sleeve	/LL -88	1	
18	999 702 136 40	rubber sleeve	/LL -88	1	
19	928 612 542 00	clutch housing	/LL -88	1	
20	944 612 548 00	contact bush	/LL -88	X	

Model	Year	MG	SG	Illustration	Restrictions	Update	9:12	17.08.2004	PORSCHE	PET	PORSCHE
911	89	9	10	910-00		179					

Pos	Part Number	Name	Remarks	Qty	Model	Pos	Part Number	Name	Remarks	Qty	Model
		- - - E N D - - -									

Model	Year	MG	SG	Illustration	Restrictions	Update	9:12	17.08.2004	PORSCHE	PET	PORSCHE
911	89	9	11	911-00		179					

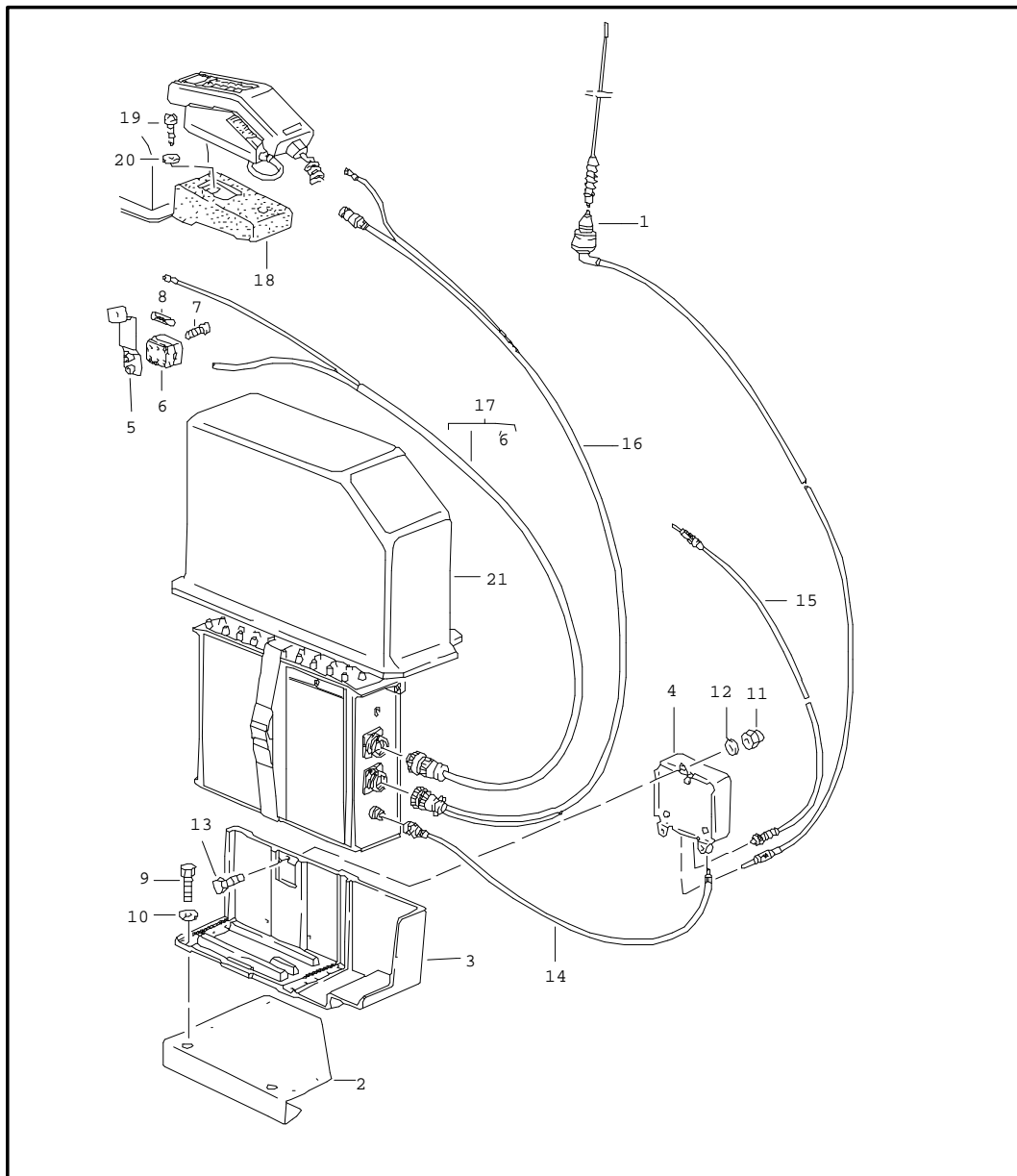


Pos	Part Number	Name	Remarks	Qty	Model
		radio loudspeaker installation parts			
		see tpi GR.9 , NR.7 , 07/94 GR.9 , NR.10 , 09/94			
1 >	911 645 169 00	radio BERLIN IQR 86	87	1	
1 >	911 645 071 01	radio BERLIN IQR 88	88-	1	
1 >	911 645 168 00	radio LUDWIGSBURG SQM 26		1	CARRERA
1 >	911 645 159 01	radio BREMEN SQR 46		1	
1 >	911 645 139 02	radio TORONTO SQR 46		1	
(1) >	928 645 018 00	installation set cd player CD-10	89	1	M 690
2	911 645 145 02	installation set for radio comprising:	-88	1	
-	911 645 173 02	retaining frame retainer spring cap when required order also:		1 1 1	
-	999 619 126 01	condenser for rear window wiper water pump		X	
3	928 645 405 02	stereo booster		1	M 494
4	911 645 040 00	retaining bracket		1	M 494
5	N 011 524 7	washer A 6,4		5	
6	N 014 138 7	oval-head screw M 6 X 10		4	
7	911 645 575 00	diplexer		2	M 490

Model	Year	MG	SG	Illustration	Restrictions	Update	9:12	17.08.2004	PORSCHE	PET	PORSCHE
911	89	9	11	911-00		179					

Pos	Part Number	Name	Remarks	Qty	Model	Pos	Part Number	Name	Remarks	Qty	Model
8	900 025 002 02	washer B 4,3		2		(25)	911 645 435 00	rear loudspeaker		2	COUPE/TARGA
9	N 013 967 9	tapping screw B 4,2 X 19		11		25	911 645 419 00	rear loudspeaker		2	COUPE/TARGA M 490
10	928 645 173 02	antenna booster		1		(26)	911 555 019 00	loudspeaker grille	87	2	COUPE/TARGA
11	900 076 010 02	hexagon nut M 6		1		26	944 555 149 00	loudspeaker grille	88-	2	COUPE/TARGA
(12)	911 645 433 00	door speaker		2			01C	satin black			
(12)	911 645 434 00	door speaker		2	SPEEDSTER	27	944 555 159 00	frame	88-	2	COUPE/TARGA
12	911 645 415 00	woofer		2	M 490	28	900 145 084 07	tapping screw B 4,2 X 19	87	8	COUPE/TARGA
(13)	911 555 013 01	loudspeaker grille	87	2		28	900 143 129 07	counters. head tapp. screw B 3,9 X 22	88-	8	COUPE/TARGA
13	911 555 451 00	loudspeaker grille	88-	2		29	999 591 575 02	speed nut B 4,2	87	8	COUPE/TARGA
	01C	black				29	999 507 032 02	speed nut B 3,9	88-	8	COUPE/TARGA
14	911 555 671 00	bracket	88-	2		30	928 645 406 00	connecting cable radio stereo booster		1	M 494
15	999 591 575 02	speed nut B 4,2		8		30	911 612 196 00	wiring harness for booster BERLIN IQR 88	88-	1	
16	911 645 417 00	tweeter		2	M 490	32	911 645 263 00	connecting cable for antenna		1	
17	911 555 673 00	bracket		2		(33)	911 645 305 00	antenna		1	SPEEDSTER
18	911 555 453 00	loudspeaker grille		2		34	911 645 173 03	retaining frame for radio		1	
	01C	black					911 645 173 02	retaining frame for cd player		1	
19	900 143 124 07	tapping screw B 3,5 X 13		6				- - - E N D - - -			
20	N 900 488 01	speed nut B 3,5		6							
21	928 645 413 00	mid-range loudspeaker	87	2	CABRIO						
21	911 645 421 00	rear loudspeaker	88-	2	CABRIO						
22	928 645 423 00	loudspeaker grille		2	CABRIO						
23	900 143 132 07	tapping screw B 3,9 X 16		8	CABRIO						
24	999 507 071 00	speed nut B 3,9		8	CABRIO						

Model	Year	MG	SG	Illustration	Restrictions	Update	9:12	17.08.2004	PORSCHE	PET	PORSCHE
911	89	9	12	912-00		179					

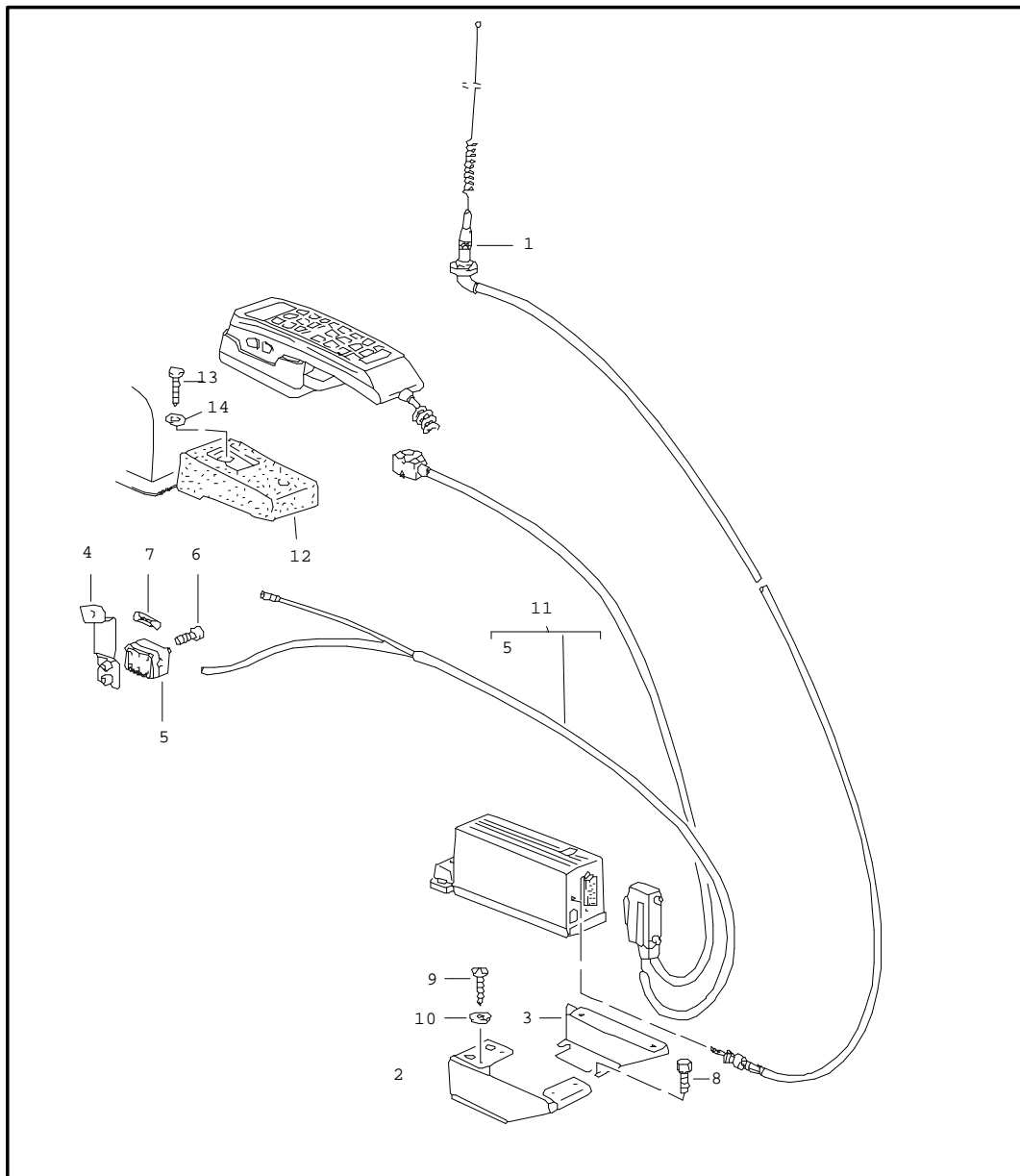


Pos	Part Number	Name	Remarks	Qty	Model
		preparation for telephone	88		M 496
1	928 646 125 00	antenna roof		1	COUPE
(1)	911 646 125 00	antenna wing		1	TARGA/CABRIO
2	911 646 011 00	retainer plate		1	
3	928 646 117 00	bracket		1	
4	928 646 115 00	diplexer		1	
5	911 646 021 00	clip		1	
6	999 609 001 40	fuse box		1	
7	N 014 133 8	oval-head screw M 5 X 12		2	
8	N 017 121 4	safety fuse 16 A red		1	
8	900 173 006 90	safety fuse 5 A yellow		1	
9	N 010 215 13	hexagon-head bolt M 6 X 15		8	
10	N 011 524 7	washer A 6,4		8	
11	N 011 141 2	cap nut M 5		3	
12	900 025 003 02	washer A 5,3		3	
13	900 075 145 02	hexagon-head bolt M 5 X 16		3	
14	928 646 034 00	line diplexer receiving part		1	
15	911 646 032 00	line diplexer radio		1	

Model	Year	MG	SG	Illustration	Restrictions	Update	9:12	17.08.2004	PORSCHE	PET	PORSCHE
911	89	9	12	912-00		179					

Pos	Part Number	Name	Remarks	Qty	Model	Pos	Part Number	Name	Remarks	Qty	Model
16	928 646 035 00	wiring harness control part receiving part		1							
17	911 646 031 00	line fuse box receiving part		1							
18	911 555 431 00	bracket carpet		1							
	70E	black									
	5MF	mahogany									
	3KF	marine blue									
	80E	burgundy									
	8JK	greyish green									
	2XF	linen									
	4MM	plum red									
	7VM	silver-grey									
	1VD	champagne									
	5UM	caramel									
	3KM	venetian blue									
19	N 013 962 2	tapping screw B 3,9 X 16		2							
20	900 025 002 02	washer A 4,3		2							
21	911 551 331 00	cover		1							
	4FD	anthracite									
21	911 551 331 01	cover carpet		1	M 975						
	70E	black									
		- - - E N D - - -									

Model	Year	MG	SG	Illustration	Restrictions	Update	9:12	17.08.2004	PORSCHE	PET	PORSCHE
911	89	9	12	912-01		179					

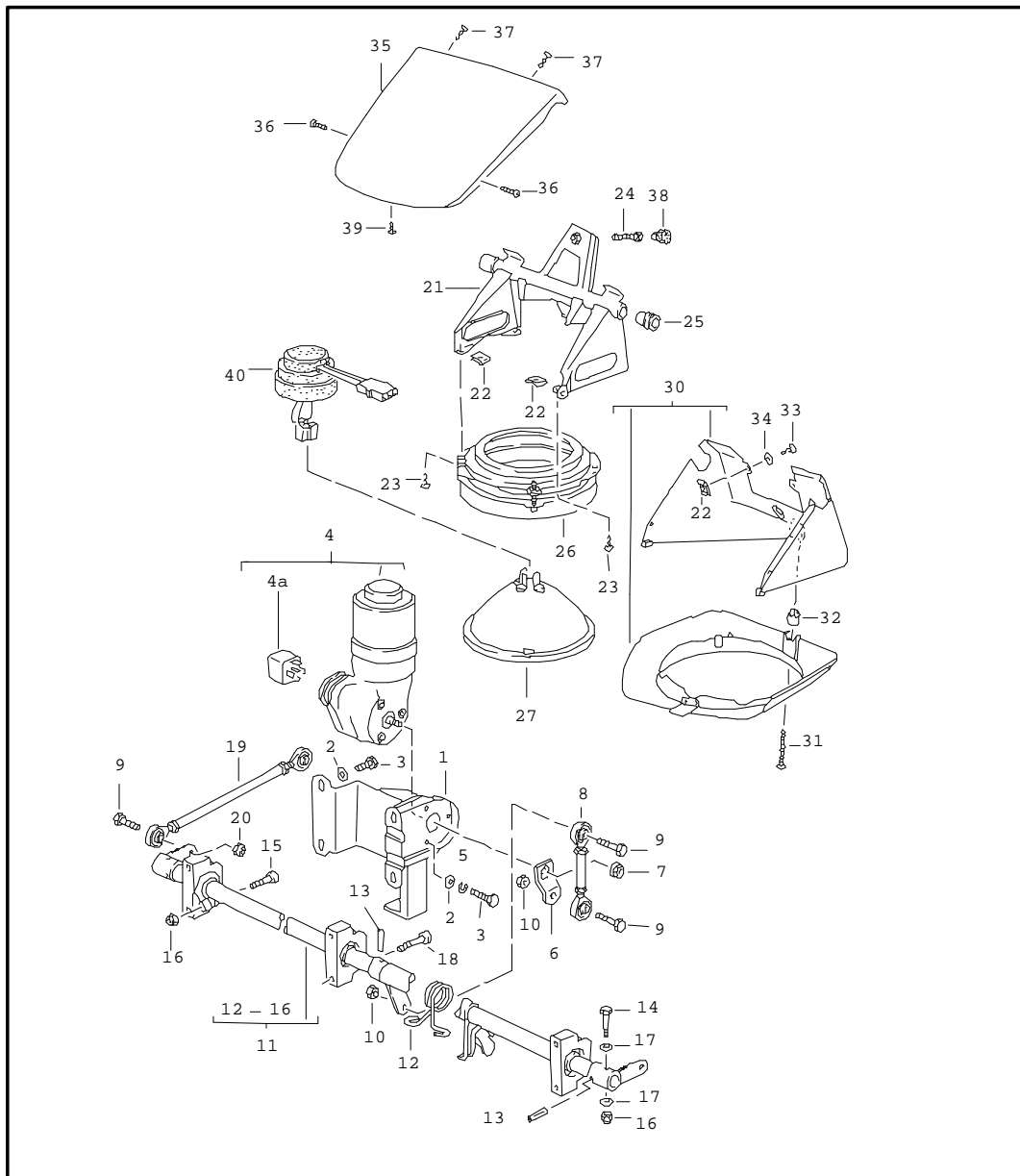


Pos	Part Number	Name	Remarks	Qty	Model
		preparation for telephone			M 195
1	928 646 126 00	antenna roof		1	COUPE
(1)	964 646 126 00	antenna wing		1	TARGA/CABRIO
2	911 646 222 00	support		1	
3	911 646 122 00	support		1	
4	911 646 021 00	clip		1	
5	999 609 001 40	fuse box		1	
6	N 014 133 8	oval-head screw M 5 X 12		2	
7	N 017 121 4	safety fuse 16 A red		1	
7	900 173 006 90	safety fuse 5 A yellow		1	
8	900 075 357 02	screw M 6 X 12		3	
9	N 013 964 4	tapping screw B 4,2 X 16		4	
10	N 011 522 14	washer A 4,3		4	
11	911 646 037 00	wiring harness	/LL	1	
11	911 646 041 00	wiring harness	/RL	1	
12	911 555 431 00	bracket carpet		1	
		70E	black		
		5MF	mahogany		
		3KF	marine blue		
		80E	burgundy		
		8JK	greyish green		

Model	Year	MG	SG	Illustration	Restrictions	Update	9:12	17.08.2004	PORSCHE	PET	PORSCHE
911	89	9	12	912-01		179					

Pos	Part Number	Name	Remarks	Qty	Model	Pos	Part Number	Name	Remarks	Qty	Model
	2XF	linen									
	4MM	plum red									
	7VM	silver-grey									
	1VD	champagne									
	5UM	caramel									
	3KM	venetian blue									
13	N 013 962 2	tapping screw B 3,9 X 16		2							
14	900 025 002 02	washer A 4,3		2							
		- - - E N D - - -									

Model	Year	MG	SG	Illustration	Restrictions	Update	9:12	17.08.2004	PORSCHE	PET	PORSCHE
911	89	9	80	980-00		179					

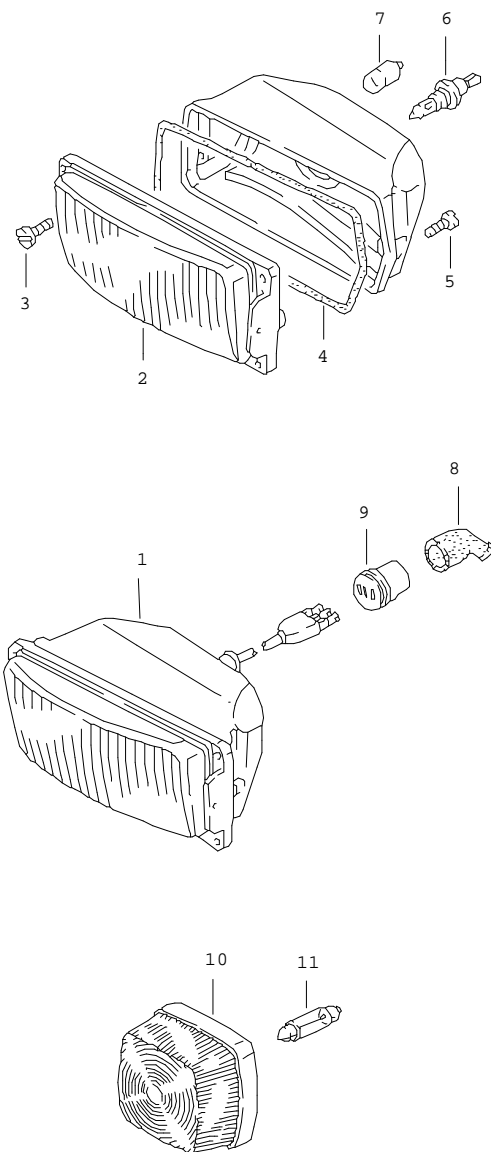


Pos	Part Number	Name	Remarks	Qty	Model
		special model special series-slant nose pop-up headlight	88-		TURBO M 506
1	911 503 952 00	mounting		1	
2	N 011 666 7	washer B 6,4		8	
3	900 075 057 02	hexagon-head bolt M 6 X 16		8	
4	477 941 379 A	electric motor		1	
4A	111 943 383 C	relay		1	
5	N 012 006 4	lock ring B 6		3	
6	911 503 951 00	lever		1	
7	999 084 055 02	lock nut M 8		1	
8	911 503 928 00	connecting rod		1	
9	900 075 029 09	hexagon-head bolt M 8 X 25		4	
10	900 076 025 02	hexagon nut M 8		2	
11	911 503 909 00	control shaft complete		1	
12	477 805 662	spring		1	
13	900 309 005 00	roll pin 4 X 16		1	
14	N 010 221 3	hexagon-head bolt M 6 X 35		2	
15	900 067 097 02	pan-head screw M 6 X 30		3	
16	900 910 012 02	lock nut M 6		5	
17	N 011 524 7	washer A 6,4		4	
18	900 067 081 02	pan-head screw M 8 X 35		2	

Model	Year	MG	SG	Illustration	Restrictions	Update	9:12	17.08.2004	PORSCHE	PET	PORSCHE
911	89	9	80	980-00		179					

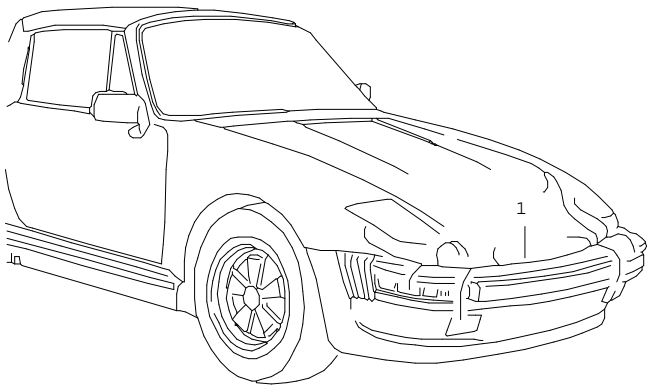
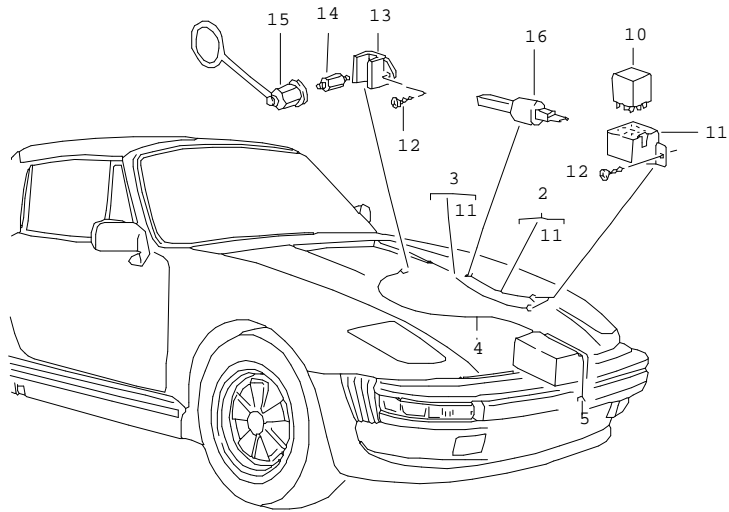
Pos	Part Number	Name	Remarks	Qty	Model	Pos	Part Number	Name	Remarks	Qty	Model
19	911 503 927 00	connecting rod		2		39	900 145 071 07	tapping screw B 3,5 X 13		2	
20	999 084 020 02	lock nut M 8		2		40	477 941 659 A	cap		2	
21	911 503 933 00	mounting	/L	1				- - - E N D - - -			
(21)	911 503 934 00	mounting	/R	1							
22	999 591 338 02	speed nut B 3,5		8							
23	900 143 041 00	tapping screw B 3,9 X 19		8							
24	900 074 015 02	hexagon-head bolt M 6 X 30		4							
25	477 805 623	bush		4							
(25)	911 503 929 00	plastic slide bearing		4							
(26)	477 941 046	retaining frame		2							
(27)	477 941 771 B	headlamp		2							
30	911 503 977 00	housing	/L	1							
(30)	911 503 978 00	housing	/R	1							
31	N 043 979 2	tapping screw B 4,2 X 45		2							
32	477 857 173	clip		2							
33	N 013 958 7	tapping screw B 3,5 X 13		4							
34	900 151 028 02	washer B 4,3		4							
35	911 503 911 00	cover	/L	1							
(35)	911 503 912 00	cover	/R	1							
36	900 148 023 07	lens-head screw AM 4 X 15		4							
37	311 867 167	tapping screw B 4,2		4							
38	311 867 169	cap		4							
	01C	black									

Model	Year	MG	SG	Illustration	Restrictions	Update	9:13	17.08.2004	PORSCHE	PET	PORSCHE
911	89	9	80	980-05		179					



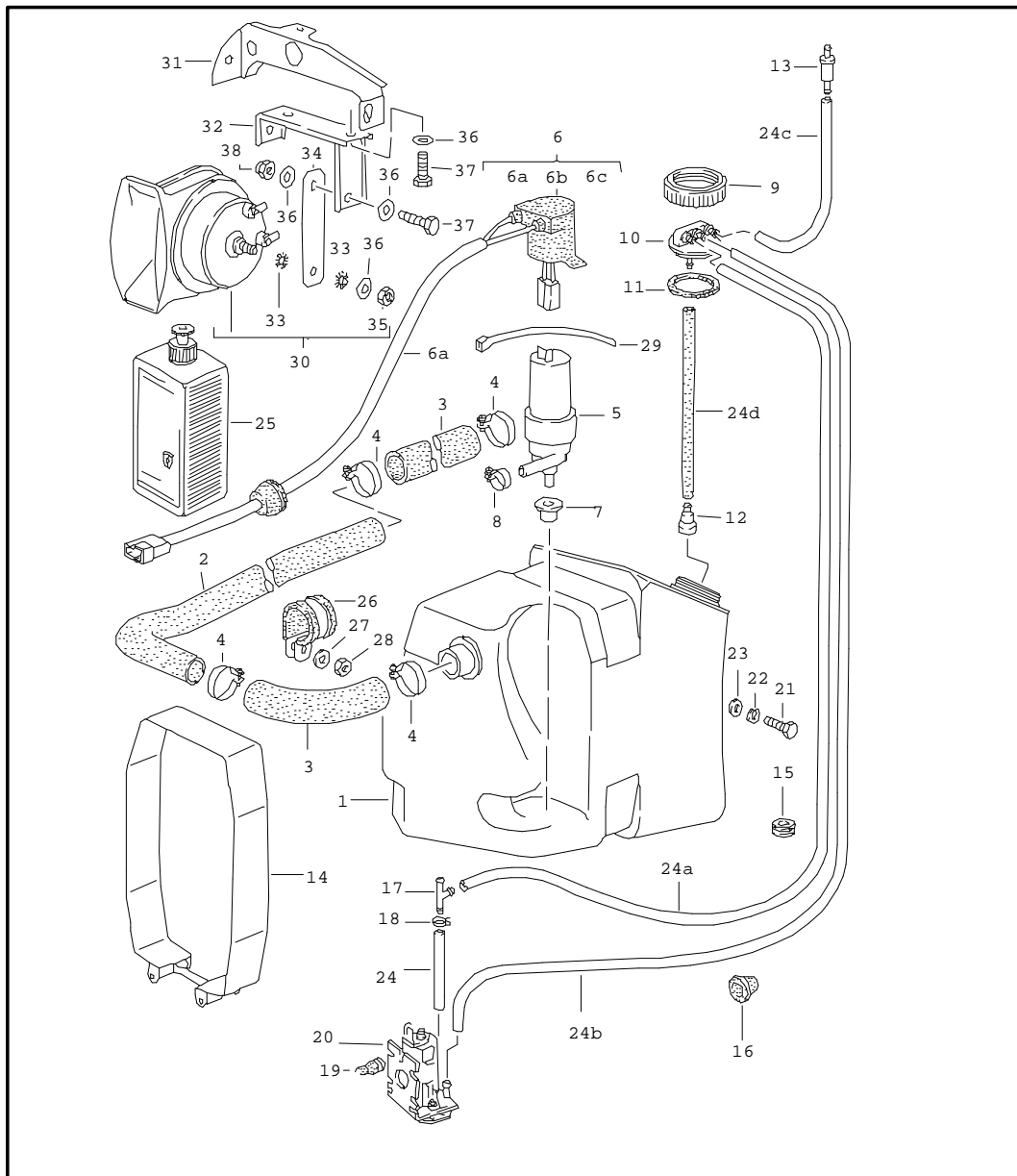
Pos	Part Number	Name	Remarks	Qty	Model
		special model special series-slant nose additional headlamp	88-		TURBO M 506
1	944 631 407 00	additional headlamp white	/L	1	
(1)	944 631 408 00	additional headlamp white	/R	1	
(1)	944 631 409 00	additional headlamp yellow	/L	1	
(1)	944 631 410 00	additional headlamp yellow	/R	1	
2	944 631 407 00	additional headlamp white	/L	1	
(2)	944 631 408 00	additional headlamp white	/R	1	
(2)	944 631 409 00	additional headlamp yellow	/L	1	
(2)	944 631 410 00	additional headlamp yellow	/R	1	
3	N 014 119 1	oval-head screw		6	
4	944 631 421 00	gasket		2	
5	N 014 122 8	oval-head screw		4	
6	900 631 126 90	halogen bulb H3 12V 55W		2	
7	900 631 103 90	bulb 12V 4W		2	
8	914 613 491 00	rubber cap		2	
9	113 945 525	terminal sleeve housing		2	
10	944 631 905 00	position light		2	
11	900 631 105 90	bulb 12V 5W		2	
- - - E N D - - -					

Model	Year	MG	SG	Illustration	Restrictions	Update	9:13	17.08.2004	PORSCHE	PET	PORSCHE
911	89	9	80	980-10		179					



Pos	Part Number	Name	Remarks	Qty	Model
		special model special series-slant nose harnesses relay	88-		TURBO M 506
1	911 612 911 00	wiring harness pop-up headlight		1	
4	911 612 935 00	battery-starter cable		1	
5	477 971 221	ground strap battery		1	
12	900 145 071 07	tapping screw B 3,5 X 13		4	
13	928 612 867 00	cable connection		1	
14	928 612 868 01	hexagon-head bolt		1	
15	928 612 073 00	protection cap		1	
- - - E N D - - -					

Model	Year	MG	SG	Illustration	Restrictions	Update	9:13	17.08.2004	PORSCHE	PET	PORSCHE
911	89	9	80	980-20		179					



Pos	Part Number	Name	Remarks	Qty	Model
		special model special series-slant nose windscreen washer system horn	88-		TURBO M 506
1	911 628 075 10	water reservoir	88-	1	
(2)	911 299 628 05	hose 25 X 3,5	88-	X	
5	191 955 681	pump		1	
6	911 612 179 01	wiring harness		1	
6A	999 652 192 47	connector housing		1	
6B	928 628 365 00	protection cap		1	
6C	999 652 167 40	terminal sleeve housing		1	
7	928 628 193 00	gasket		1	
8	N 023 570 2	hose clamp 9 / 15		1	
9	911 628 735 00	threaded cover		1	
10	911 628 737 00	connecting piece		1	
11	911 628 743 00	closing gasket		1	
12	911 628 749 00	t-piece		1	
13	914 628 215 00	valve		1	
14	911 628 081 00	restraining strap		1	
15	999 702 020 50	rubber sleeve		2	
16	911 612 413 00	rubber sleeve		2	
17	901 628 749 20	t-piece		1	
18	N 100 020 01	clamp 6 / 10		1	
19	914 628 741 00	plug		3	
20	928 628 074 01	pump		1	
21	N 010 217 9	hexagon-head bolt M 6 X 20		1	

Model	Year	MG	SG	Illustration	Restrictions	Update	9:13	17.08.2004	PORSCHE	PET	PORSCHE
911	89	9	80	980-20		179					

Pos	Part Number	Name	Remarks	Qty	Model	Pos	Part Number	Name	Remarks	Qty	Model
22	N 012 007 2	lock ring A 6		1				- - - E N D - - -			
23	900 151 003 02	washer A 6,4		1							
-	999 181 722 40	hose 4,6 X 8,2 150 MM 500 MM 650 MM 800 MM 300 MM		X 1 1 1 1 1							
25	999 901 017 41	window cleaner 250 ML summer		X							
(25)	999 901 033 40	window cleaner 1000 ML winter		X							
26	N 020 690 1	hose clamp B 20 / 28		3							
27	900 025 007 02	washer A 8,4 X 16 X 1,6		4							
28	900 084 004 02	hexagon nut M 8		4							
29	999 513 008 40	tie-wrap horn		1							
(30)	911 635 101 20	fanfare long low-pitched		1							
(30)	911 635 102 20	fanfare short high-pitched		1							
31	911 504 080 00	bracket		1							
36	900 025 007 02	washer A 8,4		6							
37	900 075 087 02	hexagon-head bolt M 8 X 16		4							
38	900 084 004 02	hexagon nut M 8		2							

M018 SPORTS STEERING WHEEL
M018 WITH ELEVATED HUB 30MM
M020 SPEEDOMETER WITH TWO SCALES MPH-KM/H
M024 VERSION FOR GREECE
M027 VERSION FOR CALIFORNIA
M034 VERSION FOR ITALY
M058 IMPACT ABSORBERS FRONT AND REAR
M061 VERSION FOR GREAT BRITAIN
M062 VERSION FOR SWEDEN
M070 TARPAULIN
M097 ANNIVERSARY MODEL "25 YEARS 911" (D)
M097 _____
M097 OUTSIDE: DARK BLUE METALLIC
M097 INSIDE: ALL LEATHER EQUIPMENT
M097 IN PEARL GREY
M097 CARPETS OF SILK-VELOUR, PEARL GREY
M097 SPECIAL CENTER CONSOLE
M098 ANNIVERSARY MODEL "25 YEARS 911" (USA)
M098 _____
M098 OUTSIDE: SILVER METALLIC
M098 INSIDE: ALL LEATHER EQUIPMENT
M098 IN SILK GREY
M098 CARPETS OF SILK-VELOUR, SILK GREY
M098 SPECIAL CENTER CONSOLE
M099 ANNIVERSARY MODEL "25 YEARS 911" (RDW)
M099 _____
M099 OUTSIDE: BLUE METALLIC
M099 INSIDE: ALL LEATHER EQUIPMENT
M099 IN BLUE METALLIC
M099 CARPETS OF SILK-VELOUR, SILVERBLUE
M099 SPECIAL CENTER CONSOLE
M103 SHOCK ABSORBER ADJUSTMENT
M111 VERSION FOR AUSTRIA
M113 VERSION FOR CANADA
M119 VERSION FOR SPAIN
M124 VERSION FOR FRANCE
M126 CONTROL AND INDICATIONS IN FRENCH LETTERING
M130 CONTROL AND INDICATIONS IN ENGLISH LETTERING
M139 SEAT HEATING SYSTEM, LEFT SEAT
M148 ENGINE WITH INCREASED EFFICIENCY 930.66
M150 OPERATES WITH LEADED GAS
M152 ENGINE NOISE REDUCTION
M154 CONTROL UNIT ENGINE FOR
M154 IMPROVED EMISSION RESULTS
M155 MOTRONIC-CONTROL UNIT FOR
M155 CARS WITH CATALYST
M156 MUFFLER (LOW NOISE LEVEL)
M157 THREE-BED CATALYST, OXYGEN SENSOR AND DIGITAL
M157 ELECTRICAL ENGINE EQUIPMENT
M158 RADIO BLAUPUNKT RENO SQR 46
M160 RADIO BLAUPUNKT CHARLESTON SQR 26

M176 BLOWER FOR OIL COOLER
M185 SAFETY BELTS 2-POINT,
M185 REAR AUTOMATIC
M186 SAFETY BELTS 2-POINT, REAR
M186 MANUAL
M193 VERSION FOR JAPAN
M195 PREPARED FOR CELLULAR-TELEPHONE SYSTEM
M197 STRONGER BATTERY
M208 TRAILER COUPLING
M215 VERSION FOR SAUDI ARABIA
M220 LOCKING DIFFERENTIAL 40 %
M221 PORSCHE-LOCKING DIFFERENTIAL
M225 VERSION FOR BELGIUM, ENGINE MARKED: -B-
M240 VERSION FOR COUNTRIES HAVING
M240 INFERIOR FUEL QUALITIES
M243 SHORTER GEAR SHIFT LEVER
M261 OUTSIDE MIRROR - PLAIN - PASSENGER'S SIDE,
M261 ELECTRICALLY ADJUSTABLE AND HEATABLE
M269 ADDITIONAL HEADLAMPS
M277 VERSION FOR SWITZERLAND
M286 INTENSIFIED WINDSHIELD WASHER
M288 HEADLAMP WASHER
M298 PREPARED FOR UNLEADED
M298 FUEL
M298 MANUAL TRANSMISSION
M325 VERSION FOR SOUTH AFRICA/NEW ZEALAND
M326 RADIO BLAUPUNKT BERLIN IQR 88
M326 WITH ARI
M328 RADIO BLAUPUNKT BREMEN SQR 46
M328 WITH ARI
M329 RADIO BLAUPUNKT TORONTO SQR 48
M330 RADIO BLAUPUNKT TORONTO SQR 46
M335 AUTOMATIC SAFETY BELT, 3-POINT,
M335 REAR
M340 SEAT HEATING SYSTEM, RIGHT SEAT
M341 CENTRAL LOCKING SYSTEM
M375 CLUTCH LINING WITHOUT ASBESTOS
M379 SERIES SEAT, LEFT,
M379 ELECTRICAL VERTICAL ADJUSTMENT
M380 SERIES SEAT, RIGHT,
M380 ELECTRICAL VERTICAL ADJUSTMENT
M381 SERIES SEAT LEFT,
M381 MANUALLY ADJUSTABLE
M382 SERIES SEAT RIGHT,
M382 MANUALLY ADJUSTABLE
M383 SPORT SEAT LEFT, ELECTRICAL
M383 VERTICALLY ADJUSTABLE
M387 SPORT SEAT RIGHT, ELECTRICAL
M387 VERTICALLY ADJUSTABLE
M395 LIGHT-METAL RIMS,
M395 FORGED, 16 IN.

M401 LIGHT-METAL RIMS, FORGED
M401 15 IN.
M419 REAR LUGGAGE DUMP
M423 BOX FOR CASSETTES AND COINS
M424 AUTOMATIC HEATING CONTROL
M425 REAR WINDOW WIPER
M430 FOG HEAD-LAMP YELLOW
M437 COMFORT SEAT LEFT,
M437 ELECTRICALLY ADJUSTABLE
M438 COMFORT SEAT RIGHT,
M438 ELECTRICALLY ADJUSTABLE
M439 ELECTRICAL
M439 ROOF CATCH
M441 PREPARED FOR RADIO
M444 CABRIO
M449 EMERGENCY WHEEL, FORGED
M451 REDUCE RADIOPREPARATION
M454 AUTOMATIC SPEED CONTROL
M462 WINDSHIELD "SEKURIFLEX"
M463 WINDSHIELD CLEAR
M467 OUTSIDE MIRROR FOR DRIVER'S SIDE, CONVEX,
M467 ELECTRICALLY HEATABLE AND ADJUSTABLE
M470 WITHOUT FRONT-SPOILER
M470 AND REAR-SPOILER
M473 WITH FRONT SPOILER AND REAR SPOILER
M474 SHOCK ABSORBER (SPORTING) FRONT AND REAR
M475 BRAKE PADS WITHOUT ASBESTOS
M479 VERSION FOR AUSTRALIA
M481 MANUAL TRANSMISSION
M484 VERSION FOR USA
M488 INSCRIPTIONS IN GERMAN LANGUAGE
M490 SOUND SYSTEM
M491 TURBO-LOOK
M492 FOR LEFT-HAND TRAFFIC
M494 ADDITIONAL AMPLIFIER
M496 PREPARED FOR PHILIPS TELEPHONE "C"-NETWORK
M498 WITHOUT VEHICLE-TYPE-LETTERING ON REAR END
M499 VERSION FOR GERMANY
M503 CABRIO-VERSION (SPEEDSTER)
M505 SPECIAL SERIES-SLANT NOSE
M506 SPECIAL SERIES-SLANT NOSE
M513 BACK-SUPPORT (LORDOSE) RIGHT SEAT
M525 ANTI-THEFT DEVICE WITH CONTINUOUS SOUND
M526 DOOR PANELS (CLOTH)
M528 OUTER REAR VIEW MIRROR FOR PASSENGER'S SIDE
M528 - CONVEX - ELECTRICALLY HEATABLE AND ADJUSTABLE
M533 ANTI-THEFT DEVICE
M553 VERSION FOR USA, CANADA
M559 AIR CONDITIONER
M567 WINDSHIELD TINTED, UPPER PART
M567 DARKER COLOURED

M573 AIR CONDITIONER
M576 WITHOUT REAR FOG LAMP
M579 VERSION FOR HONGKONG
M586 BACK-SUPPORT (LORDOSE) LEFT SEAT
M592 ANTIBLOCK SYSTEM
M592 (BOSCH/TEVES)
M593 ANTIBLOCK SYSTEM (BOSCH)
M602 ARAISED STOP LAMP
M605 HEADLIGHT VERTICAL AIM CONTROL
M612 PREPARED FOR PHILIPS TELEPHONE "C2"-NETWORK
M637 CLUB-SPORT "CS"
M650 ELECTRICAL SLIDING ROOF
M657 POWER ASSISTED STEERING
M685 REAR SEATS, DEVIDED
M686 RADIO BLAUPUNKT LUDWIGSBURG SQM 26 ARI
M688 RADIO BLAUPUNKT BOSTON SQM 23
M690 CD-PLAYER "CD-10"
M690 RADIO + ARI
M691 CD-PLAYER "CD-2" WITH RADIO
M900 TOURIST'S
M900 CARS
M930 SEAT COVERS REAR, LEATHER
M931 SEAT COVERS REAR, LEATHERETTE
M932 SEAT COVERS, REAR
M932 CLOTH/LEATHERETTE/LEATHERETTE
M933 SEAT COVERS, REAR
M933 CLOTH/LEATHER/LEATHER
M934 SEAT COVERS REAR,
M934 CLOTH/CLOTH/LEATHERETTE
M935 SEAT COVERS REAR, DRAPED LEATHER
M946 SEAT COVERS FRONT,
M946 LEATHER/LEATHER/LEATHERETTE
M947 SEAT COVERS
M947 FRONT: CLOTH/LEATHER/LEATHERETTE
M947 REAR: CLOTH/LEATHERETTE/LEATHERETTE
M948 SEAT COVERS, FRONT
M948 CLOTH/LEATHER/LEATHER
M975 LUGGAGE BOOT TRIM
M975 WITH VELOUR CARPET
M980 SEAT COVER - DRAPED LEATHER
M981 LEATHER EQUIPMENT WITHOUT SEAT COVERS
M983 SEAT COVERS FRONT, LEATHER
M986 PARTIAL LEATHER EQUIPMENT
M990 SEAT COVERS FRONT,
M990 CLOTH/CLOTH/LEATHERETTE

**PET
V-PAGES**

Model	Year	MG	SG	Illustration	VIN No.	Update		
911	89	9	80	980-20		179	9:13	17.08.2004

TR203

THIS PARTS CATALOGUE CONTAINS ALL ORDER INFORMATION OF
TYPE 911 FROM MODEL YEAR 1987 TO MODEL YEAR 1989

IT IS AVAILABLE IN TWO EDITIONS IN THE FOLLOWING LANGUAGES:

EDITION

USA, CANADA - *

EDITION

ALL OTHER COUNTRIES - GERMAN

* - ENGLISH

- FRENCH

- ITALIAN

- SPANISH

UPDATING IS BEING PERFORMED BY CHANGING OF UPDATE.

THE EDITION CAN BE RECOGNIZED BY THE CURRENT NO.
YEAR IN THE BOTTOM LINE OF SUBJECT UPDATE.

THE PREVIOUS UPDATE SHOULD NO LONGER BE USED.

ALL ILLUSTRATIONS ARE SUBJECT TO CHANGE WITHOUT OBLIGATION.

ALL ILLUSTRATIONS ARE SUBJECT TO
CHANGE WITHOUT OBLIGATION.

PORSCHE

PET V-PAGES

PORSCHE

Model	Year	MG	SG	Illustration	VIN No.	Update	9:13	17.08.2004
911	89	9	80	980-20		179		

TR006

EXPLANATION OF THE ABRIDGED VERSION OF THE VEHICLE IDENT. NUMBERS (VIN)
===== USED IN THE CATALOGUE =====

DIGIT:	1	2	3	4	5	6	7	8	9	10	11	12	13	14	15	16	17
EXAMPLE:	W	P	O	Z	Z	Z	9	1	Z	K	S	1	0	0	1	2	5
							===		=	=	=		=====				
							!	!	!	!							!
VEHICLE TYPE 1ST+2ND DIGIT-----+									!	!	!						!
MODEL YEAR-----+									!	!	!						!
MANUFACTURING LOCATION-----+										!	!						!
VEHICLE TYPE 3RD DIGIT-----+											!						!
SERIAL NUMBER-----+																	!

PET V-PAGES

Model	Year	MG	SG	Illustration	VIN No.	Update	9:13	17.08.2004
911	89	9	80	980-20		179		

FR001

VEHICLE TYPE	MY	VEHICLE IDENT.NR.	ENGINE TYPE
911 CARRERA COUPE	87	H 91HS1 00001>05000	930.20/25/26
911 CARRERA M637	87	H 91HS1 05001>05300	930.20/25/26
911 CARRERA TARGA	87	H 91HS1 40001>45000	930.20/25/26
911 CARRERA CABRIO	87	H 91HS1 50001>55000	930.20/25/26
911 TURBO COUPE	87	H 93HS0 00001>02000	930.66, 221 KW
911 TURBO TARGA	87	H 93HS0 10001>12000	930.66, 221 KW
911 TURBO CABRIO	87	H 93HS0 20001>22000	930.66, 221 KW
911 CARRERA COUPE (J)	87	H 91HS1 09501>09999	930.25, 160 KW
911 CARRERA TARGA (J)	87	H 91HS1 49501>49999	930.25, 160 KW
911 CARRERA CABRIO (J)	87	H 91HS1 59501>59999	930.25, 160 KW
911 CARRERA COUPE (USA)(CDN)	87	H 91HS1 20001>25000	930.25, 160 KW
911 CARRERA M637 (USA)(CDN)	87	H 91HS1 25001>25300	930.25, 160 KW
911 CARRERA TARGA (USA)(CDN)	87	H 91HS1 60001>65000	930.25, 160 KW
911 CARRERA CABRIO (USA)(CDN)	87	H 91HS1 70001>75000	930.25, 160 KW
911 TURBO COUPE (USA)	87	H 93HS0 50001>55000	930.68, 210 KW
911 TURBO TARGA (USA)	87	H 93HS0 60001>62000	930.68, 210 KW
911 TURBO CABRIO (USA)	87	H 93HS0 70001>72000	930.68, 210 KW
911 TURBO COUPE (CDN)	87	H 93HS0 55001>57000	930.66, 221 KW
911 TURBO TARGA (CDN)	87	H 93HS0 65001>67000	930.66, 221 KW
911 TURBO CABRIO (CDN)	87	H 93HS0 75001>77000	930.66, 221 KW
911 CARRERA COUPE	88	J 91JS1 00001>05000	930.20/25/26
911 CARRERA M637	88	J 91JS1 05001>05300	930.20/25/26
911 CARRERA TARGA	88	J 91JS1 40001>45000	930.20/25/26
911 CARRERA CABRIO	88	J 91JS1 50001>55000	930.20/25/26
911 TURBO COUPE	88	J 93JS0 00001>02000	930.66, 221 KW
911 TURBO TARGA	88	J 93JS0 10001>12000	930.66, 221 KW
911 TURBO CABRIO	88	J 93JS0 20001>22000	930.66, 221 KW
911 CARRERA COUPE (J)	88	J 91JS1 09501>09999	930.25, 160 KW
911 CARRERA TARGA (J)	88	J 91JS1 49501>49999	930.25, 160 KW
911 CARRERA CABRIO (J)	88	J 91JS1 59501>59999	930.25, 160 KW
911 CARRERA COUPE (USA)(CDN)	88	J 91JS1 20001>25000	930.25, 160 KW
911 CARRERA M637 (USA)(CDN)	88	J 91JS1 25001>25300	930.25, 160 KW
911 CARRERA TARGA (USA)(CDN)	88	J 91JS1 60001>65000	930.25, 160 KW
911 CARRERA CABRIO (USA)(CDN)	88	J 91JS1 70001>75000	930.25, 160 KW
911 TURBO COUPE (USA)(CDN)	88	J 93JS0 50001>55000	930.68, 210 KW
911 TURBO TARGA (USA)(CDN)	88	J 93JS0 60001>62000	930.68, 210 KW
911 TURBO CABRIO (USA)(CDN)	88	J 93JS0 70001>72000	930.68, 210 KW
911 CARRERA COUPE	89	K 91KS1 00001>05000	930.20/25
911 CARRERA TARGA	89	K 91KS1 40001>45000	930.20/25
911 CARRERA CABRIO/SPEEDSTER	89	K 91KS1 50001>55000	930.20/25
911 TURBO COUPE	89	K 93KS0 00001>02000	930.66, 221 KW
911 TURBO TARGA	89	K 93KS0 10001>12000	930.66, 221 KW
911 TURBO CABRIO	89	K 93KS0 20001>22000	930.66, 221 KW
911 CARRERA COUPE (USA)(CDN)	89	K 91KS1 20001>25000	930.25, 160 KW
911 CARRERA TARGA (USA)(CDN)	89	K 91KS1 60001>65000	930.25, 160 KW
911 CARRERA CABRIO/SPEEDSTER (USA)(CDN)	89	K 91KS1 70001>75000	930.25, 160 KW
911 TURBO COUPE (USA)(CDN)	89	K 93KS0 50001>55000	930.68, 210 KW
911 TURBO TARGA (USA)(CDN)	89	K 93KS0 60001>62000	930.68, 210 KW
911 TURBO CABRIO (USA)(CDN)	89	K 93KS0 70001>72000	930.68, 210 KW

PET V-PAGES

Model	Year	MG	SG	Illustration	VIN No.	Update	9:14	17.08.2004
911	89	9	80	980-20		179		

TR006

EXPLANATION OF THE MOTOR-NUMBERS USED IN THE CATALOGUE
 =====

DIGIT:	1	2	3	4	5	6	7	8
EXAMPLE:	6	3	K	0	0	1	3	6
	=	=	=	=====				
	!	!	!	!				
ENGINE TYPE (6 = 6-CYL.-ENGINE)-----+	!	!	!					
	!	!	!					
ENGINE VERSION-----+	!	!						
	!	!						
MODEL YEAR-----+	!							
	!							
SERIAL NUMBER-----+	!							

PET V-PAGES

Model	Year	MG	SG	Illustration	VIN No.	Update	9:14	17.08.2004
911	89	9	80	980-20		179		

MR006

VEHICLE TYPE	ENGINE TYPE	MY	ENGINE NO.	TECHNICAL DATA
911 CARRERA	930.20	87 H	63H 00001>10000	6ZYL/3,2L/170KW
911 CARRERA CATAL. CONVERTER	930.25	87 H	64H 00001>10000	6ZYL/3,2L/160KW
911 CARRERA (S)	930.26	87 H	63H 10001>11000	6ZYL/3,2L/170KW
911 TURBO	930.66	87 H	67H 00001>05000	6ZYL/3,3L/221KW
911 TURBO (USA)	930.68	87 H	68H 00001>05000	6ZYL/3,3L/210KW
911 CARRERA	930.20	88 J	63J 00001>10000	6ZYL/3,2L/170KW
911 CARRERA CATAL. CONVERTER	930.25	88 J	64J 00001>10000	6ZYL/3,2L/160KW
911 CARRERA (S)	930.26	88 J	63J 10001>11000	6ZYL/3,2L/170KW
911 TURBO	930.66	88 J	67J 00001>05000	6ZYL/3,3L/221KW
911 TURBO (USA)	930.68	88 J	68J 00001>05000	6ZYL/3,3L/210KW
911 CARRERA	930.20	89 K	63K 00001>10000	6ZYL/3,2L/170KW
911 CARRERA CATAL. CONVERTER	930.25	89 K	64K 00001>10000	6ZYL/3,2L/160KW
911 TURBO	930.66	89 K	67K 00001>05000	6ZYL/3,3L/221KW
911 TURBO (USA)(CDN)	930.68	89 K	68K 00001>05000	6ZYL/3,3L/210KW

PET V-PAGES

Model	Year	MG	SG	Illustration	VIN No.	Update	9:14	17.08.2004
911	89	9	80	980-20		179		

TR006

EXPLANATION OF THE TRANSMISSION-NUMBERS USED IN THE CATALOGUE >>MOD.87
 =====

```

DIGIT:                1 2 3   4 5 6 7 8
EXAMPLE:              7 3 H   0 6 8 4 5
                      = = =   =====
                      ! ! !       !
TRANSMISSION TYPE-----+ ! !       !
                      ! !       !
TRANSMISSION VERSION-----+ !       !
                      !       !
MODEL YEAR-----+       !
                      !
SERIAL NUMBER-----+
    
```

EXPLANATION OF THE TRANSMISSION-NUMBERS USED IN THE CATALOGUE MOD.88>>
 =====

```

DIGIT:                1 2 3 4 5   6 7 8 9 10 11 12
EXAMPLE:              G 5 0 0 0   1 K 0 0 5 4 3
                      = = =       = = =====
                      !       !       ! !       !
                      !       !       ! !       !
TRANSMISSION TYPE-----+       !       ! !       !
                      !       !       ! !       !
TRANSMISSION VERSION-----+       !       ! !       !
                      !       !       ! !       !
INDEX OF VARIANTS-----+       !       ! !       !
                      !       !       ! !       !
MODEL YEAR-----+       !       ! !       !
                      !       !       ! !       !
SERIAL NUMBER-----+
    
```

PET V-PAGES

Model	Year	MG	SG	Illustration	VIN No.	Update	9:14	17.08.2004
911	89	9	80	980-20		179		

GR001

VEHICLE TYPE	TRANSM. TYPE	MY	TRANSMISSION NO.	TECNICAL DATA
911 CARRERA	G50.00	87 H	73H 00001 > 73H 20000	5-SPEED
911 CARRERA (USA) (CDN) (AUS) (J)	G50.01	87 H	74H 00001 > 74H 20000	5-SPEED
911 CARRERA (CH)	G50.02	87 H	73H 20001 > 73H 25000	5-SPEED
911 TURBO	930.36	87 H	77H 00001 > 77H 10000	4-SPEED
911 CARRERA	G50.00	88 J	G5000 1J00001>1J10000	5-SPEED
911 CARRERA M220	G50.00	88 J	G5000 2J10001>2J20000	5-SPEED
911 CARRERA (USA) (CDN) (AUS) (J)	G50.01	88 J	G5001 1J00001>1J10000	5-SPEED
911 CARRERA (USA) (CDN) (AUS) (J) M220	G50.01	88 J	G5001 2J10001>2J20000	5-SPEED
911 CARRERA (CH)	G50.02	88 J	G5002 1J00001>1J10000	5-SPEED
911 CARRERA (CH) M220	G50.02	88 J	G5002 2J10001>2J20000	5-SPEED
911 TURBO	930.36	88 J	93036 1J00001>1J10000	4-SPEED
911 TURBO M220	930.36	88 J	93036 2J10000>2J20000	4-SPEED
911 CARRERA	G50.50	89 K	G5000 1K00001>1K10000	5-SPEED
911 CARRERA M220	G50.50	89 K	G5000 2K00001>2K20000	5-SPEED
911 CARRERA (USA) (CDN) (AUS) (J)	G50.01	89 K	G5001 1K00001>1K10000	5-SPEED
911 CARRERA (USA) (CDN) (AUS) (J) M220	G50.01	89 K	G5001 1K00001>2K20000	5-SPEED
911 CARRERA (CH)	G50.02	89 K	G5002 1K00001>1K10000	5-SPEED
911 CARRERA (CH) M220	G50.02	89 K	G5002 2K00001>2K20000	5-SPEED
911 TURBO	G50.50	89 K	G5050 1K00001>1K10000	5-SPEED
911 TURBO M220	G50.50	89 K	G5050 2K00001>2K20000	5-SPEED

PET V-PAGES

Model	Year	MG	SG	Illustration	VIN No.	Update		
911	89	9	80	980-20		179	9:14	17.08.2004

TR006

LEGENDS AND NOTICES

=====

IN COLUMN -S- STATUS

- N NEW ADDITION
- P PART ALREADY IN PROGRAMME, BUT NEW AT THIS APPLICATION
- W DELETED AT THIS APPLICATION, BUT CONTINUED TO BE CARRIED
- A STOCK TO BE USED UP
- U DELETED WITHOUT REPLACEMENT
- * PART ALSO OR ONLY AVAILABLE IN REPAIR KIT
- > ALSO AVAILABLE IN EXCHANGE

IN COLUMN - ILL. -

- 1 IDENTIFICATION NO. IN ILLUSTRATION
- (1) PART ONLY SIMILAR AS ILLUSTRATED
- PART IS NOT ILLUSTRATED

FIG.-NUMBERS FOR WHICH THERE IS SHOWN NO TEXT ARE NOT VALID FOR THIS EDITION OF CATALOGUE

IN COLUMN -PART NUMBER/CODE-

000 000 000 00 PART NUMBER EQUALS ORDERING NO., IF A CODE IS SHOWN, IT WILL HAVE TO BE PART OF ORDERING NUMBER

AC3 COLOUR CODE

IN COLUMN -TEXT

INSTALLATION WITH ENGINE OR CHASSIS NUMBER-RANGE

EXAMPLE:

M 63K 00001 >> FROM ENGINE NO.
 F >> 91KS1 05000 UP TO CHASSIS NO.

PET V-PAGES

Model	Year	MG	SG	Illustration	VIN No.	Update	9:14	17.08.2004
911	89	9	80	980-20		179		

TR006

IN COLUMN - A -

IDENTIFICATION LETTER FOR PERIOD OF INSTALLATION
THAT IS REPEATED SEVERAL TIMES IN THE CATALOG GROUP.

EXPLANATION PLEASE FIND IN TEXT COLUMN OF THE CATALOG GROUP

IN COLUMN - QU - = NO. OF PIECES

- 1 NUMBER PER APPLICATION
- X NUMBER AS NEEDED
- * AVAILABLE ONLY IN RUNNING LENGTHS 1 = 1 METRE

IN COLUMN - MODEL/SYMBOL -

- M 650 OPTIONAL EQUIPMENT - SEE M-NO. LIST
- 89 LIMITATION OF MODEL YEAR FOR INSTANCE: VALID UP TO
END OF MODEL YEAR 1984
- /LL LHD
- /RL RHD
- +
- /V FRONT I
- I
- /H REAR I
- I----> APPLIES TO
- /L LEFT I DIRECTION OF TRAVEL
- I
- /R RIGHT I
- +
- WW THE PART CAN BE USED INSTEAD OF THE
PRECEDING ONE
- JUBI:88 ANNIVERSARY MODEL 1988
-
- OUTSIDE: DIAMONDBLUE-METALLIC
- INSIDE: SEAT SURFACE AND BACKREST SURFACE:
LEATHER, SILVERBLUE-METALLIC
- HEADRESTS WITH INSIGNIA "PORSCHE"
- CARPETS OF SILK-VELOUR, SIVERBLUE
- ANNIVERSARY BADGE ON GLOVE BOX

PET V-PAGES

Model	Year	MG	SG	Illustration	VIN No.	Update	9:14	17.08.2004
911	89	9	80	980-20		179		

TR203

EQUIPMENT BY COUNTRY REGULATIONS
=====

- (A) AUSTRIA
- (AG) ARABIAN GULF STATES
- (AUS) AUSTRALIA
- (B) BELGIUM
- (CDN) CANADA
- (CH) SWITZERLAND
- (D) FEDERAL REPUBLIC OF GERMANY
- (DK) DENMARK
- (E) SPAIN
- (F) FRANCE
- (GB) GREAT BRITAIN
- (GR) GREECE
- (HK) HONGKONG
- (I) ITALY
- (J) JAPAN
- (L) LUXEMBURG
- (N) NORWAY
- (NL) NETHERLANDS
- (NZ) NEW ZEALAND
- (P) PORTUGAL
- (RC) TAIWAN
- (S) SWEDEN
- (SA) SAUDI ARABIA
- (SF) FINLAND
- (USA) UNITED STATES OF AMERICA
- (ZA) SOUTH AFRICA